

Document Number	Revision	Revision Date	Product Date Code Beginning With
L4288	Rev. D	05/2024	D

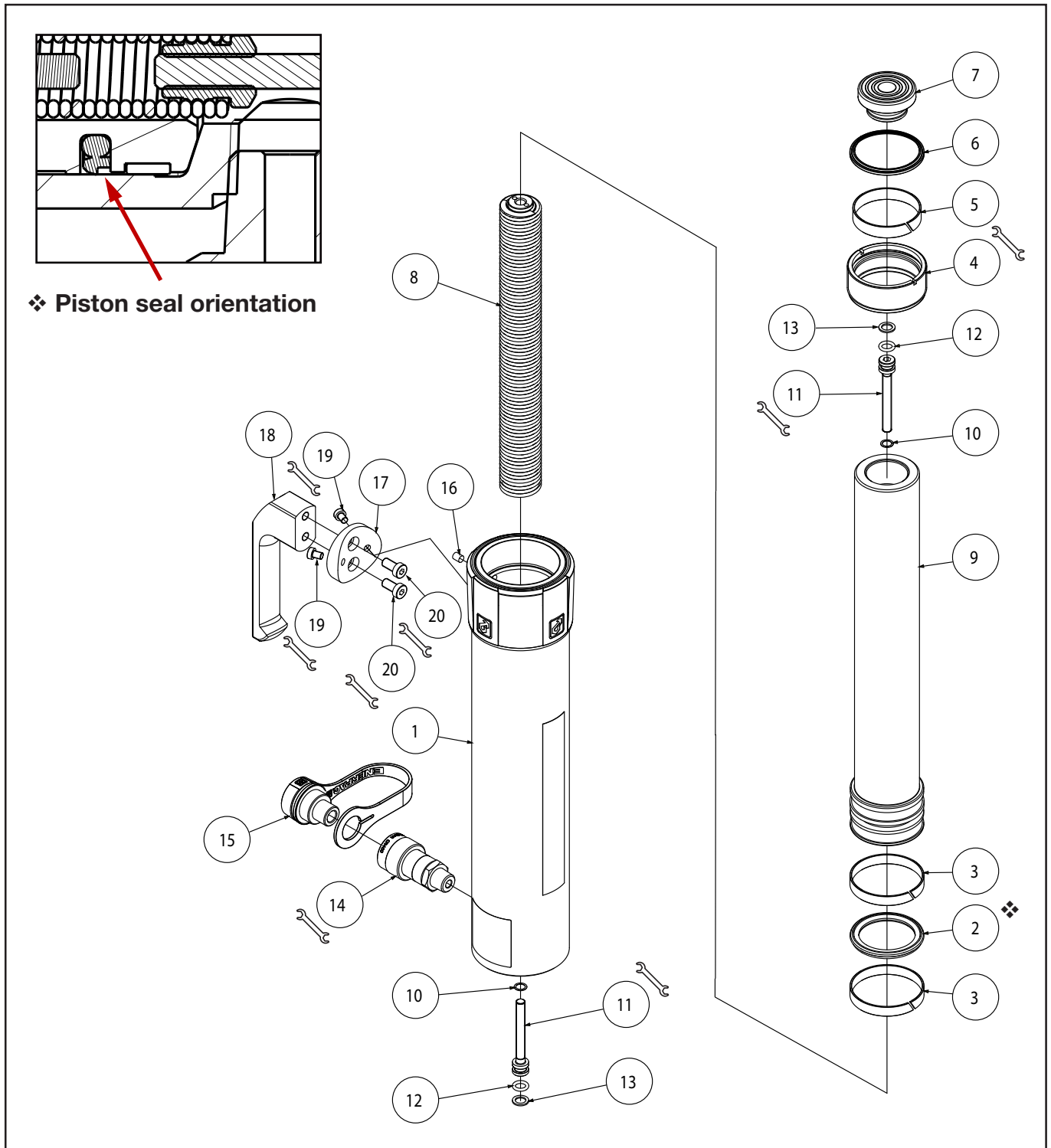


Figure 1, RC Hydraulic Cylinder, 25 Ton

## Repair Parts List, Figure 1

Item	Description	Qty	RC2512	RC2514
1	Base	1	N/A	N/A
2	Piston Seal	1	▲ ●	▲ ●
3	Wear Band, Plunger	2	▲ ★	▲ ★
4	Stop Ring	1	RC25044	RC25044
5	Wear Band, Stop Ring	1	▲ *	▲ *
6	Wiper	1	▲ ✕	▲ ✕
7	Saddle Assembly	1	A252G	A252G
8	Spring Assembly	1	RC25NKS3	RC25NKS4
9	Plunger	1	RC2512040	RC2514040
10	Copper Gasket	2	▲ ■	▲ ■
11	Screw, Socket Head	2	▲ ■	▲ ■
12	O-Ring	2	▲ ■	▲ ■
13	Backup, Split	2	▲ ■	▲ ■
14	Coupler	1	CR400	CR400
15	Dust Cap ▲	1	CD411	CD411
16	Filter	1	▲	▲
17	Handle, Base	1	◆	◆
18	Handle	1	◆	◆
19	Screw, M6 x 8	2	▲ ◆	▲ ◆
20	Screw, M8 x 16	2	▲ ◆	▲ ◆
N/S	O-ring, coupler	1	▲	▲
N/S	Enerpac Decal	1	▲	▲
N/S	Warning Decal	1	▲	▲
N/S	O-ring, saddle	1	▲	▲
N/S	Thread Protector	1	▲	▲

**Notes:**

- ▲ Indicated item included in and available as a part of the Repair Kit RC25NK0
- Indicated item included in and available as a part of the Spring Kit RC25NKS3
- ◆ Indicated item included in and available as a part of the Handle Kit CHM1
- Indicated item included in and available as packs of 10 units in Seal Kit RC25NKS (see below)
- ★ Indicated item included in and available as packs of 10 units in Wear Band Kit Plunger RC25NKB1 (see below)
- \* Indicated item included in and available as packs of 10 units in Wear Band Kit Stop Ring RC25NKB2 (see below)
- ✕ Indicated item included in and available as packs of 10 units in Wiper Kit RC25NKW (see below)

●★\*✕ Kits only available in America



Item nr.	Torque/ remark
4	Secure with Loctite 222 and torque to 70-90 in-lbs [7.9-10.2 Nm]
11, 20	Torque to 90-110 in-lbs [10.2-12.4 Nm]
14	Torque to 40-60 ft-lbs [54-81 Nm]
	Use Loctite 545 or Teflon Tape
19	Torque to 50-70 in-lbs [5.6-7.9 Nm]