

# Air Impact Wrench

Models 1712B2 and 1712P2



---

## Product Parts Information



**Save These Instructions**

---



Edition 17  
March 2020  
CCN 03531753

When tool life has expired, it is recommended to:

- disassemble the tool
- degrease the tool
- separate tool parts by material for correct recycling

Tool repair and maintenance should be conducted by an authorized service center.

Refer all communications to the nearest **Ingersoll Rand** office or distributor.

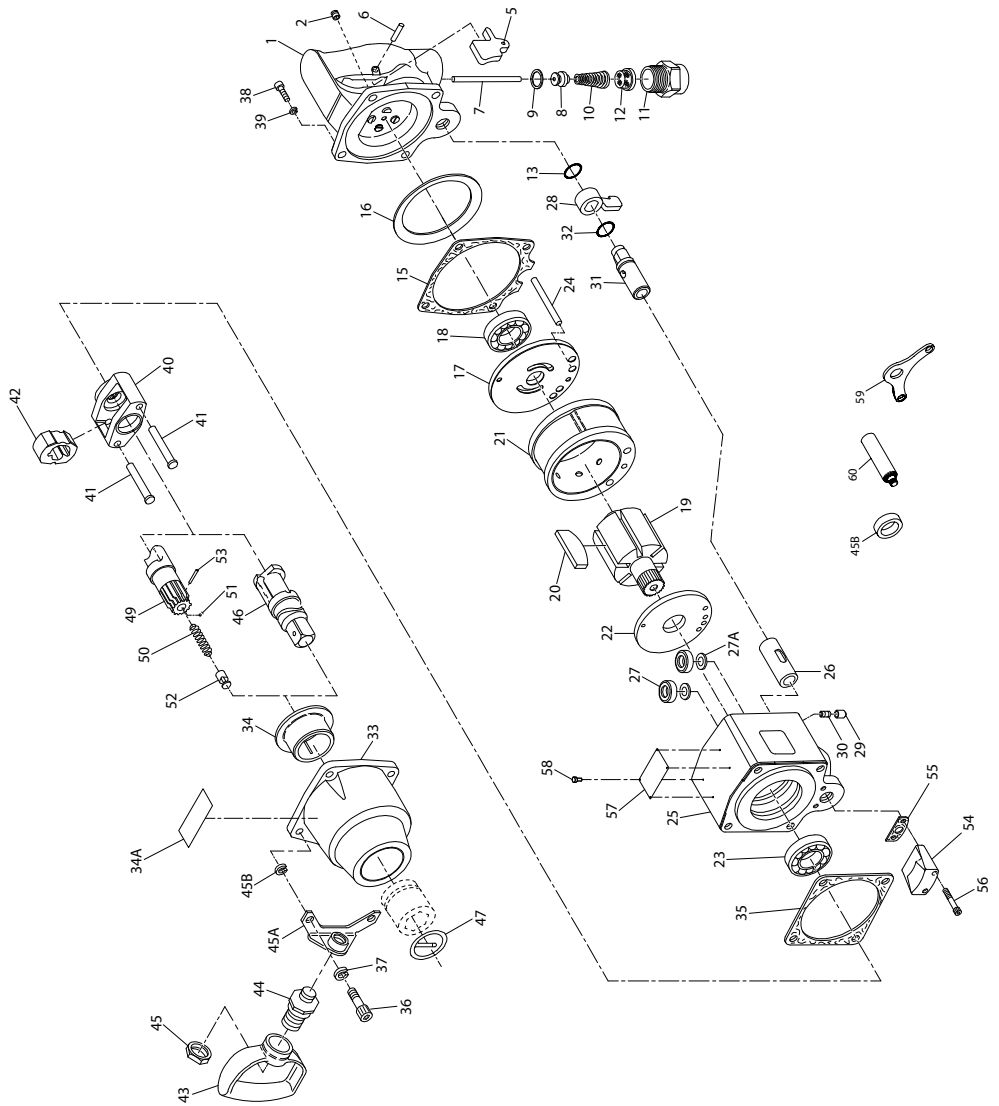
Manuals are available at [ingersollrandproducts.com](http://ingersollrandproducts.com)

**Table 1. Product Information Manuals**

<b>Publication</b>	<b>CCN</b>
Product Safety Information Manual	04580916
Product Information Manual	16581977

# Model 1712B2 Air Impact Wrench

Figure 1. Exploded View - TPB516-7



# Model 1712B2 Air Impact Wrench

**Table 2. Model 1712B2 Air Impact Wrench - Parts List**

<b>Item</b>	<b>Part Description</b>	<b>Part Number</b>
1	Inside Trigger Handle Assembly	1712-A92
2	Grease Fitting	130SR-188
5	Inside Trigger	834-93A
(a) 6	Inside Trigger Pin	534-265
7	Throttle Valve Plunger	2934-302
8	Throttle Valve Assembly	2934-A50
(a) (b) 9	Throttle Valve Face	2934-159
(a) (b) 10	Throttle Valve Spring	834-51
11	Straight Inlet	845-565
(b) 12	Air Strainer Screen	434-61
(a) (b) 13	Reverse Valve Seal	R00BR-210
(a) (b) 15	Handle Gasket	2934-283
16	Motor Clamp Washer	2934-207
17	Rear End Plate	2934-12
(b) 18	Rear Rotor Bearing	508-97
19	Rotor	2934-53
(a) (b) 20	Vane Packet (set of 6 vanes)	2934-42-6
21	Cylinder	2934-3
22	Front End Plate	2934-11
(b) 23	Front Rotor Bearing	810-97
24	Cylinder Dowel	2934-98
25	Motor Housing Assembly	1712-A40
26	Reverse Valve Bushing	2934-330S
(a) (b) 27	Air Port Gasket (QTY. 2)	R44H-210A
(a) (b) 27A	Air Port Gasket Retainer (QTY. 2)	2940-200
28	Reverse Lever	2934-658A
(a) (b) 29	Reverse Lock Plunger	4U-663B
(a) (b) 30	Reverse Lock Plunger Spring	4U-664
31	Reverse Valve Assembly	2934-A329
(a) (b) 32	Valve Seal	85H-167
33	Hammer Case Assembly	1712B-A727
34	Hammer Case Bushing	2934-641
34A	Warning Label	WARNING-2-99
(b) 35	Hammer Case Gasket	2934-36
36	Hammer Case Cap Screw (QTY. 4)	834-638
37	Hammer Case Lock Washer (QTY. 4)	34U-58
38	Handle Cap Screw (QTY. 4)	510-638

# Model 1712B2 Air Impact Wrench

**Table 2. Model 1712B2 Air Impact Wrench - Parts List (continued)**

<b>Item</b>	<b>Part Description</b>	<b>Part Number</b>
39	Cap Screw Lock Washer (QTY. 4)	8U-58
40	Hammer Frame Assembly	2934-A703
41	Hammer Pin (QTY. 2)	2934-704
42	Hammer	1712-724
43	Side Spade Handle	T15-41
44	Side Spade Handle Stud	534-148
45	Side Spade Handle Stud Nut	107-73A
45A	Side Spade Handle Bracket	2934-364
45B	Side Spade Handle Bracket Spacer (QTY. 2)	2934-140
46	1" Square Drive Anvil	
	Standard Length	1712-726
	6" Extended Length	280-726-6
<sup>(a)</sup> 47	Retainer Ring (for 1" Square Drive Anvil)	RR10015S
49	Spline Drive Anvil Assembly	
	Standard Length	1712-A526
	6" Extended Length	280-A514-6
50	Retaining Plunger Spring	2940-231
51	Socket Retaining Ball	D04-280
52	Retaining Ball Plunger	845-230
53	Plunger Retaining Pin	845-128
54	Deflector	2934-23A
55	Gasket	2934-223
56	Screw (QTY. 2)	R43F-104
57	Nameplate	1712-301
58	Nameplate Screw (QTY. 4)	C32-302
59	Horizontal Hanger	2934-366
60	Auxiliary Handle	834-48
<sup>(c)</sup>	Exhaust Deflector Kit	2934-K23
63	Piped-Away Exhaust Kit	2940-K184
<sup>(c)</sup>	Tune-up Kit (includes illustrated parts 3, 9, 10, 12, 13, 15, 18, 20, 23, 27, 27A, 29, 30, 32 and 35)	1712B/1712P-TK3

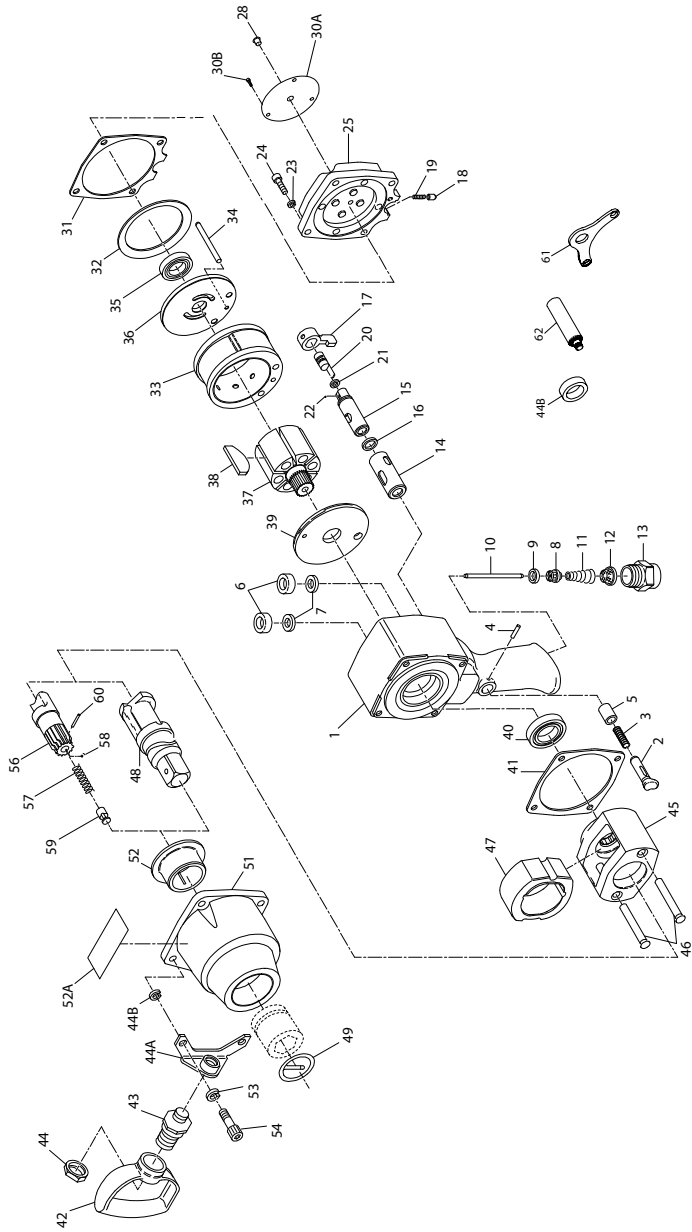
<sup>(a)</sup> Indicates common-wear parts. Maintain stock to reduce downtime.

<sup>(b)</sup> Indicates Tune-up Kit Part.

<sup>(c)</sup> Indicates Not Illustrated.

# Model 1712P2 Air Impact Wrench

Figure 2. Exploded View - TPA873-5



# Model 1712P2 Air Impact Wrench

**Table 3. Model 1712P2 Air Impact Wrench - Parts List**

<b>Item</b>	<b>Part Description</b>	<b>Part Number</b>
1	Motor Housing Assembly	1712P-A40
2	Trigger	2934P-93
3	Trigger Spring	2934P-51
5	Trigger Bushing	2905-91S
(a) (b) 6	Air Port Gasket (QTY. 2)	R44H-210A
(a) (b) 7	Gasket Retainer (QTY. 2)	2940-200
8	Throttle Valve	2934P-A50
(a) (b) 9	Throttle Valve Face	2934-159
10	Throttle Valve Plunger	2934P-302
(a) (b) 11	Throttle Valve Spring	834-51
(b) 12	Air Strainer Screen	434-61
13	Straight Inlet	845-565
14	Reverse Valve Bushing	2934P-330S
15	Reverse Valve Assembly	2934P-A329
(a) (b) 16	Reverse Valve Seal	85H-167
17	Reverse Lever	2934-658A
(a) (b) 18	Reverse Lock Plunger	4U-663B
(b) 19	Reverse Lock Spring	4U-664
20	Power Regulator Assembly	2934P-A249
(b) 21	Power Regulator Seal	R1A-159
22	Power Regulator Retaining Ball	AV1-255
23	Housing Cover Lock Washer (QTY. 4)	8U-58
24	Housing Cover Cap Screw (QTY. 4)	510-638
25	Housing Cover Assembly	1712P-A102
28	Grease Fitting	130SR-188
30A	Nameplate	1712P-301
(b) 30B	Nameplate Screws (QTY. 3)	C32-302
(b) 31	Housing Cover Gasket	2934-283
32	Motor Clamp Washer	2934-207
33	Cylinder	2934-3
34	Cylinder Dowel	2934-98
(b) 35	Rear Rotor Bearing	508-97
36	Rear End Plate	2934-12
37	Rotor	2934-53
(a) (b) 38	Vane Packet (set of 6 vanes)	2934-42-6
39	Front End Plate	2934-11

# Model 1712P2 Air Impact Wrench

**Table 3. Model 1712P2 Air Impact Wrench - Parts List (continued)**

<b>Item</b>	<b>Part Description</b>	<b>Part Number</b>
(b) 40	Front Rotor Bearing	810-97
(a) (b) 41	Hammer Case Gasket	2934-36
42	Side Spade Handle	T15-41
43	Side Spade Handle Stud	534-448
44	Side Spade Handle Nut	107-73A
44A	Side Spade Handle Bracket	2934-364
44B	Side Spade Handle Bracket Spacer (QTY. 2)	2934-140
45	Hammer Frame Assembly	2934-A703
46	Hammer Pin (QTY. 2)	2934-704
47	Hammer	1712-724
48	1" Square Drive Anvil	
	Standard Length	1712-726
	6" Extended Length	280-726-6
(a) 49	Retainer Ring (for 1" Square Drive Anvil)	RR10015S
51	Hammer Case Assembly	1712-A727
52	Hammer Case Bushing	2934-641
52A	Warning Label	WARNING-2-99
53	Cap Screw Lock Washer (QTY. 4)	34U-58
54	Hammer Case Cap Screw (QTY. 4)	834-638
(c)	Muffler	2910-674
56	Spline Drive Anvil Assembly	
	Standard Length	1712-A526
	6" Extended Length	280-A514-6
57	Retaining Plunger Spring	2940-231
58	Socket Retaining Ball	D04-280
59	Retaining Ball Plunger	845-230
60	Plunger Retaining Pin	845-128
61	Horizontal Hanger	2934-366
62	Auxiliary Handle	834-48
(c)	Tune-up Kit (includes illustrated parts 3, 6, 7, 9, 11, 12, 16, 18, 19, 21, 27, 30, 31, 35, 38, 40 and 41)	1712B/1712P-TK3

(a) Indicates common-wear parts. Maintain stock to reduce downtime.

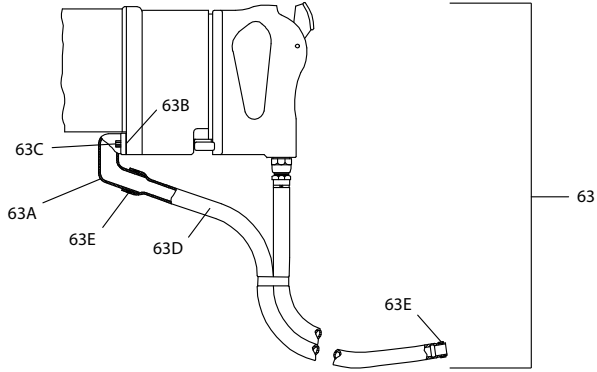
(b) Indicates Tune-up Kit Part.

(c) Indicates Not Illustrated.



# Exhaust Kit

**Figure 3. Piped-Away Exhaust Kit - TPA559**



**Table 4. Exhaust Kits - Parts List**

<b>Item</b>	<b>Part Description</b>	<b>Part Number</b>
(a)	Exhaust Deflector Kit	2934-K23
	Deflector	2934-23A
	Exhaust Baffle	2934-124
	Gasket	2934-223
	Silencer	2940P-311
	Screw (QTY. 2)	R43F-104
63	Piped-Away Exhaust Kit	2940-K184
63A	Exhaust Adapter	2940-167
63B	Exhaust Adapter Gasket	2940-30
63C	Adapter Cap Screw (QTY. 2)	AL-638
63D	Exhaust Hose	R21-B230
63E	Hose Clamp (QTY. 2)	R21-31

(a) Indicates Not Illustrated.

## Notes

---



