



51997971
Edition 4
August 2017

Spike Driver

Models MX60-SD and MX90-SD

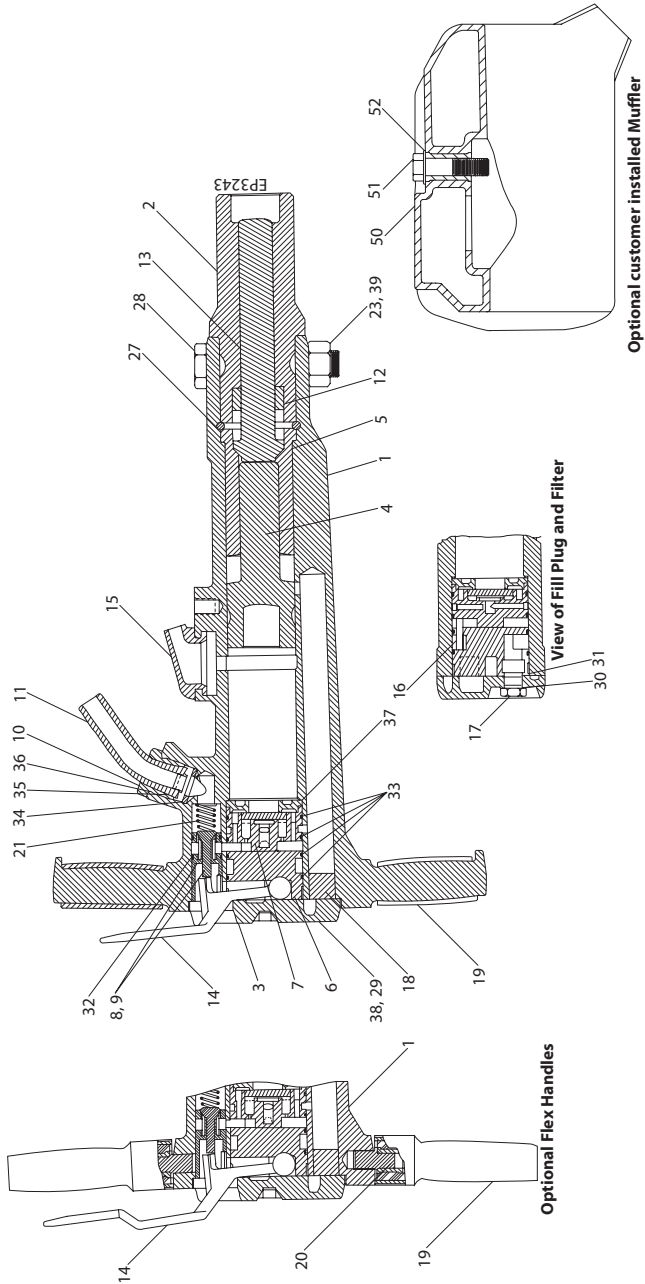
Parts Information



Save These Instructions

 **Ingersoll Rand**[®]

Spike Driver Models MX60-SD and MX90-SD - Sectional View



(Dwg. 16607053)

Spike Driver Models MX60-SD and MX90-SD - Parts List

| Item | Part Description | Part Number | Remarks |
|----------|----------------------------|---------------------|----------------|
| 1 | Housing (1) | Not sold separately | MX60-SD Models |
| 1 | Housing (1) | Not sold separately | MX90-SD Models |
| 2 | Fronthead (1) | 51986487 | --- |
| 3 | Backhead (1) | 51943447 | --- |
| 4 | Piston (1) | 51999720 | MX60-SD Models |
| 4 | Piston (1) | 51948388 | MX90-SD Models |
| 5 | Seat, Piston (1) | 52080751 | MX60-SD Models |
| 5 | Seat, Piston (1) | 51986677 | MX90-SD Models |
| 6 | Plug, Housing (1) | 51949857 | --- |
| | Kit, Valve Chest (1) | 51955391 | MX90-SD Models |
| † 7 | Assembly, Valve Chest (1) | 51955417 | --- |
| * 8 | Body, Throttle (1) | Not sold separately | --- |
| * 9 | Valve, Throttle (1) | Not sold separately | --- |
| | Kit, Valve Chest (1) | 52082682 | MX60-SD Models |
| ‡ 7 | Assembly, Valve Chest (1) | 52080694 | --- |
| 8 | Body, Throttle (1) | Not sold separately | --- |
| 9 | Valve, Throttle (1) | Not sold separately | --- |
| 10 | Cap, Air Connection (1) | 51361798 | --- |
| 11 | Nipple, Swivel (1) | 51361863 | --- |
| 12 | Damper (1) | 51989598 | --- |
| 13 | Block, Hammer (1) | 51986495 | --- |
| 14 | Lever, Throttle (1) | 51943017 | MX60/MX90-SD |
| 14 | Lever, Throttle (1) | 51955565 | MX60F/MX90F-SD |
| 15 | Deflector, Exhaust (1) | 51729036 | --- |
| † ‡ 16 | Filter (1) | 52089802 | --- |
| 17 | Plug, Oil Fill (1) | 51370203 | --- |
| 18 | Plug, Rubber (1) | 51983666 | MX60-SD Models |
| 18 | Plug, Rubber (1) | 51944007 | MX90-SD Models |
| 19 | Sleeve, Handle (2) | 51952869 | MX60/MX90-SD |
| 19 | Handle, Flex (2) | 51910255 | MX60F/MX90F-SD |
| 20 | Connector, Flex Handle (2) | 51913440 | MX60F/MX90F-SD |
| * 21 | Spring (1) | 51368561 | --- |
| 23 | Washer, Fronthead (1) | 52080736 | MX60-SD Models |
| 23 | Washer, Fronthead (1) | 51378438 | MX90-SD Models |
| 27 | Ring, Retaining (1) | 51954337 | MX60-SD Models |
| 27 | Retainer (1) | 51955862 | MX90-SD Models |
| 28 | Bolt, Fronthead (1) | 95749537 | MX60-SD Models |
| 28 | Bolt, Fronthead (1) | 95379608 | MX90-SD Models |
| 29 | Capscrew, Backhead (4) | 95214995 | --- |
| 30 | O-Ring, Oil Fill Plug (1) | 95209870 | --- |
| † * ‡ 31 | O-Ring, Backhead (1) | 95018107 | --- |
| * 32 | O-Ring, Throttle Body (2) | 95097705 | --- |
| † ‡ 33 | Seal (4) | C6H20A-103 | --- |
| 34 | Strainer, Air (1) | 51998367 | --- |
| 35 | O-Ring, Swivel Nipple (1) | 95086161 | --- |
| 36 | O-Ring, Connection Cap (1) | 95086112 | --- |
| † ‡ 37 | O-Ring, Valve Cover (1) | 95086583 | --- |
| 38 | Washer, Backhead (4) | 51948016 | --- |
| 39 | Nut, Fronthead (1) | 95477196 | MX60-SD Models |
| 39 | Nut, Fronthead (1) | 95471165 | MX90-SD Models |

NOTICE

- † These parts are included in Available Kits, Valve Chest Kit 51955391.
- * These parts are included in Available Kits, Throttle Valve Kit 51955375.
- ‡ These parts are included in Available Kits, Valve Chest Kit 52082682.

Optional Equipment (Furnished only when specially ordered)

| Item | Part Description | Part Number | Remarks |
|------|-------------------------------------------|-------------|----------------|
| 50 | Muffler (Furnished W/Bolt and Washer) (1) | 52080298 | MX60-SD MODELS |
| 50 | Muffler (Furnished W/Bolt and Washer) (1) | 51953453 | MX90-SD MODELS |
| 51 | Bolt, Muffler (1) | 95054144 | --- |
| 52 | Washer, Muffler (1) | 51948016 | --- |
| | Lubricator, In-line (1) | 35364322 | --- |

Available Kits (Furnished only when specially ordered)

| Item | Part Description | Part Number | Remarks |
|------|-------------------------|-------------|----------------|
| | Kit, Valve Chest (1) | 51955391 | MX90-SD MODELS |
| | Kit, Valve Chest (1) | 52082682 | MX60-SD MODELS |
| | Kit, Throttle Valve (1) | 51955375 | --- |

Lubrication (not provided with the tool)

- SAE 20 light oil recommended for temperatures below 20 degrees Fahrenheit.
- SAE 30 medium oil recommended for temperatures between 20 and 90 degrees Fahrenheit.
- SAE 50 heavy oil recommended for temperatures above 90 degrees Fahrenheit.

Parts and Maintenance

When tool life has expired, it is recommended that the tool be disassembled, degreased and parts separated by material for proper recycling.

Tool repair and maintenance should only be carried out by an authorized Service Center.

Refer all communications to the nearest **Ingersoll Rand** office or distributor.

Related Documentation

Manuals can be downloaded from ingersollrandproduct.com

For additional information, refer to:

Product Safety Information Manual 04581450.

Product Information Manual 51998326.

Maintenance Information Manual 51998342.

Notes:

Notes:

Notes:

ingersollrandproducts.com

© 2017 *Ingersoll Rand*

