



16606030
Edition 4
October 2021

Air Impact Wrench

Series 5980 and 5982

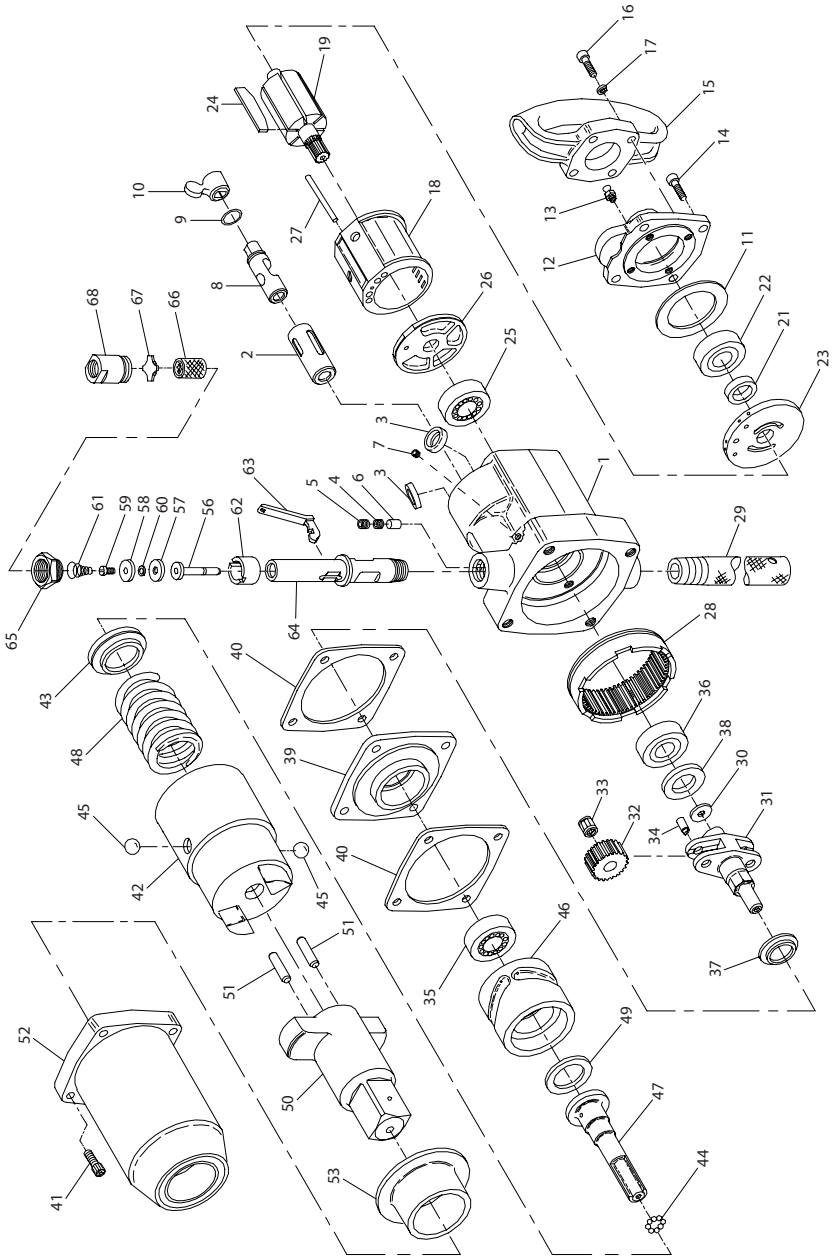
Parts Information



Save These Instructions

IR Ingersoll Rand®

Series 5980 and 5982, Air Impact Wrench - Exploded View



(Dwg. TPA895-1)

Series 5980 and 5982, Air impact Wrench - Parts List

Item	Part Description	Part Number	Item	Part Description	Part Number
# 1	Motor Housing Assembly	ILA582A1-A40	48	Hammer Spring	
+ 2	Reverse Valve Bushing	ILA582A1-330		for 5980	ILA578A1-728
• 3	Air Port Gasket (2)	R44H-210A		for 5982	ILA582A1-728
4	Oiler Adjusting Screw	RZ-71	49	Friction Drive Washer	ILA582A1-729
5	Adjusting Hole Plug	WF-109A	50	Anvil	
6	Oiler Felt (2)	R2-75		for 5980	ILA578A1-726
7	Oil Chamber Plug	ROH-377		for 5982	ILA582A1-726
8	Reverse Valve Assembly	ILA582A1-A329	51	Anvil Drive Pin (2)	HU-527
9	Reverse Valve Seal	HU-730	52	Hammer Case Assembly	
10	Reverse Lever	ILA582A1-658		for 5980 (aluminium)	ILA578A1-A727
• 11	End Plate Gasket	577-283		for 5980-EU (aluminium)	ILA578A1-EU-A727
12	Backhead Assembly	ILA582A1-A102		for 5982 (aluminium)	ILA582A1-A727
13	Grease Fitting	23-188		for 5982-EU (aluminium)	ILA582A1-EU-A727
14	Backhead Cap Screw (4)	ILA582A1-68	53	Hammer Case Bushing	
15	Grip Handle	ILA582A1-1		for 5980	ILA578A1-641
16	Grip Handle Cap Screw (4)	ILA582A1-68		for 5982	ILA582A1-641
17	Handle Cap Screw Lock Washer (4)	HRA20A-322	*	Hammer Case Label	
18	Cylinder	588-3		for 5980 and 5982	WARNING-2-99
19	Rotor Assembly	577-53		for 5980-EU and 5982-EU	EU-99
21	Rotor Bearing Spacer	R5H-65	*	Oversize Hammer Case Bushing	
• 22	Rear Rotor Bearing	R5H-22		for 5980 (.005" oversize)	ILA578A1-641-5
• 23	Rear End Plate	577-12A		for 5980 (.010" oversize)	ILA578A1-641-10
• 24	Vane Packet (set of 5 Vanes)	R5H-42-5		for 5980 (.015" oversize)	ILA578A1-641-15
• 25	Front Rotor Bearing	R5H-24		for 5982 (.005" oversize)	ILA582A1-641-5
• 26	Front End Plate	R55H-11		for 5982 (.010" oversize)	ILA582A1-641-10
27	Cylinder Dowel	92R-98	• •	Socket Pin (for 5982)	588-215
28	Internal Gear	ILA582A1-406	• •	Socket Pin Retainer (for 5982)	588-216
29	Dead Handle		• •	Retaining Rib (for 5980)	RR10020S
	for 5980	ILA578A1-48		Throttle Assembly	577-AL401
	for 5982	588-48	56	Throttle Valve Assembly	R4H-402
30	Grease Guide	5780-72	• 57	Throttle Valve Face	R4H-159
31	Planet Gear Frame	ILA582A1-8	58	Throttle Valve Face Cap	R4H-157
32	Planet Gear (2)	ILA582A1-10	59	Throttle Valve Face Retaining Screw	R4-158
33	Planet Gear Bearing (2)	R4SM-501	60	Retaining Screw Lock Washer	H54U-352
34	Planet Gear Shaft (2)	577-191	• 61	Throttle Valve Spring	T01-308
• 35	Gear Frame Front Bearing	215-63	62	Throttle Lever Spacer	R4H-270
• 36	Gear Frame Rear Bearing	D10-518	63	Throttle Lever	R4H-273
37	Gear Frame Front Spacer	ILA582A1-331	64	Throttle Body	R4H-401
38	Gear Frame Rear Spacer	577-332		Air Strainer Assembly	R5H-A565
39	Housing Cover		65	Air Strainer Cap	R4H-566
	for 5980	ILA578A1-720	• 66	Air Strainer Screen	R5H-61
	for 5982	ILA582A1-720	67	Air Strainer Screen Support	R3H-567
• 40	Housing Cover Gasket (2)	ILA582A1-239	68	Air Strainer Body	R5H-565
41	Hammer Case Cap Screw (4)	ILA582A1-638	*	Nameplate	
	Hammer Assembly			For 5980	5980-301
	for 5980	5780-A724		For 5980-EU	5980-EU-301
	for 5982	5820-A724		For 5982	5982A1-301
				For 5982-EU	5982-EU-301
42	Hammer		*	Retaining Screw (4)	C32-302
	for 5980	5780-724		Eyebolt	
	for 5982	5820-724		For vertical suspension	KU-888
43	Hammer Spring Thrust Bearing Race			For horizontal suspension	5780-4
	for 5980	ILA578A1-695	*	Grease Gun	P25-228
	for 5982	ILA582A1-695	*	Wooden Storage/Shipping Case	5980-96
44	Hammer Spring Thrust Bearing Ball (17)	D04-280	*	Hose Nipple	J3-581
45	Cam Ball (2)	577-714	*	Hose Nipple	R5H-46
46	Ball Cam		*	Exhaust Elbow	DU-587
	for 5980	5780-721	*	Double Grip Handle	5980-48
	for 5982	5820-721	*	Horizontal Hanger Kit (for 5982A1 only) (includes hanger, 2 bolts, 2 nuts and 2 lockwasher)	ILA582A1-D366
47	Arbor				
	for 5980	ILA578A1-725			
	for 5982	ILA582A1-725			

NOTICE

When ordering a repaired Motor Housing, always specify the complete model of the tool to be stamped.

Note: Items 2-7 are included with Motor Housing Assembly (ILA582A1-A40).

- + For Reverse Valve Bushing replacement, return with Motor Housing for factory installation.
- Indicates recommendation to stock one pair/set for every four tools in service to reduce downtime.
- * Indicates common-wear parts. Maintain stock to reduce downtime.

Parts and Maintenance

When tool life has expired, it is recommended that the tool be disassembled, degreased and parts separated by material for proper recycling.

Tool repair and maintenance should only be carried out by an authorized Service Center.

Refer all communications to the nearest **Ingersoll Rand** office or distributor.

Related Documentation

Manuals can be downloaded from ingersollrand.com

For additional information, refer to:

Product Safety Information Manual 04580916.

Product Maintenance Information Manual 16606048.

Product Information Manual 03532124.

Notes:

Notes:

Notes:

[ingersollrand.com](https://www.ingersollrand.com)

© 2021 *Ingersoll Rand*

