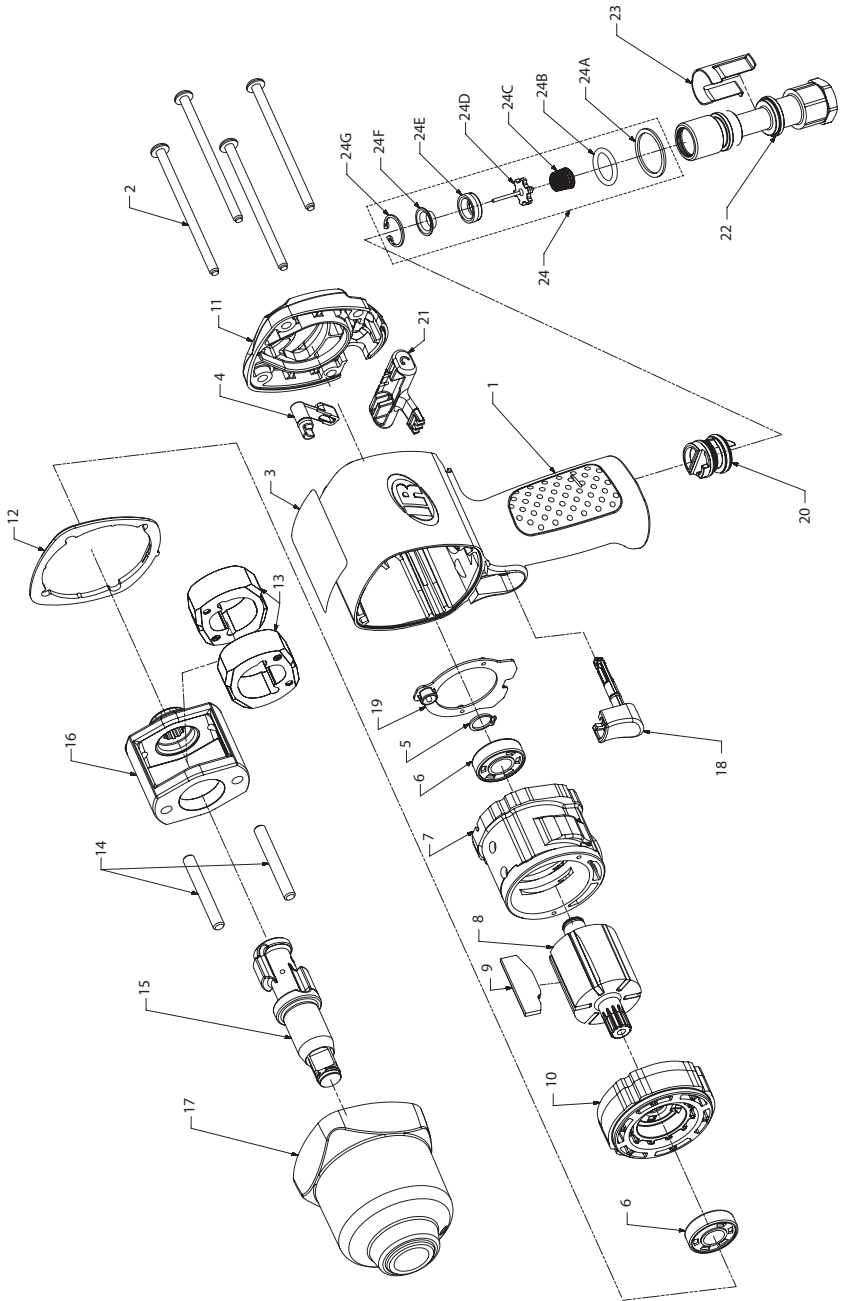


2130 Series Air Impact Wrench - Exploded View



(Dwg. TP2189AP)



16576373  
Edition 5  
June 2018

## 2130 Series Air Impact Wrench - Parts List

Item	Part Description	Part Number	Item	Part Description	Part Number
	Housing Assembly		17	Hammer Case Assembly	2130-D727A
	for 2130	2130-A40	18	Trigger Assembly	2130-D1093
	for 2130-2	2130-2-A40	19	Motor Gasket	2130-283
1	Housing	---	20	Reverse Valve Assembly	2130-D329
3	Nameplate/Warning Label	---	21	Reverse Button	2130-75
2	Screw, HammerCase (4 required)	2130-638		Inlet Bushing Assembly (Includes 22, 23 & 24)	2131-D565
3	Nameplate/Warning Label				
	for 2130	2130-301	22		
	for 2130-2	2130-2-301	23	Inlet Clip	2131-57
4	Power Regulator Assembly	2130-D249	24	Inlet Parts Kit	2131-K303
5	Retaining Ring	2131-6	24A	Washer	---
6	Ball Bearing (2 required)	402-22	24B	O-Ring, Seal	---
7	Cylinder	2130-3	24C	Spring	---
8	Rotor	2131-53	24D	Valve	---
9	Vane Pack (set of 6)	2131-42A-6	24E	Seat	---
10	End Plate	2131-11	24F	Support	---
11	Rear Cap	2130-12	24G	Retainer	---
12	Hammer Case Gasket	2130-36		Tune-Up Kit	2130-TK1
	Impact Mechanism Kit		5	Retaining Ring	---
	for (2130)	2130-IMK1	6	Ball Bearing (2)	---
	for (2130-2)	2130-IMK2	9	Vane Pack (set of 6)	---
12	Hammer Case Gasket	---	12	Hammer Case Gasket	---
13	Hammer (2)	---	18	Trigger Assembly	---
14	Hammer Pin (2)	---	19	Motor Gasket	---
15	Anvil Assembly	---	20	Reverse Valve Assembly	---
16	Hammer Frame	---	24	Inlet Parts Kit	---
*	Kit Grease	---	*	Inlet Clip Removal Tool	2131-322

\* Indicates not illustrated.

## Parts and Maintenance

When tool life has expired, it is recommended that the tool be disassembled, degreased and parts separated by material for proper recycling.

Tool repair and maintenance should only be carried out by an authorized Service Center.

Refer all communications to the nearest **Ingersoll Rand** office or distributor.

## Related Documentation

Manuals can be downloaded from [ingersollrandproducts.com](http://ingersollrandproducts.com)

For additional information, refer to:

Product Safety Information Manual 04580916.

Product Information Manual 04580692.

Declaration of Conformity 47632863001.