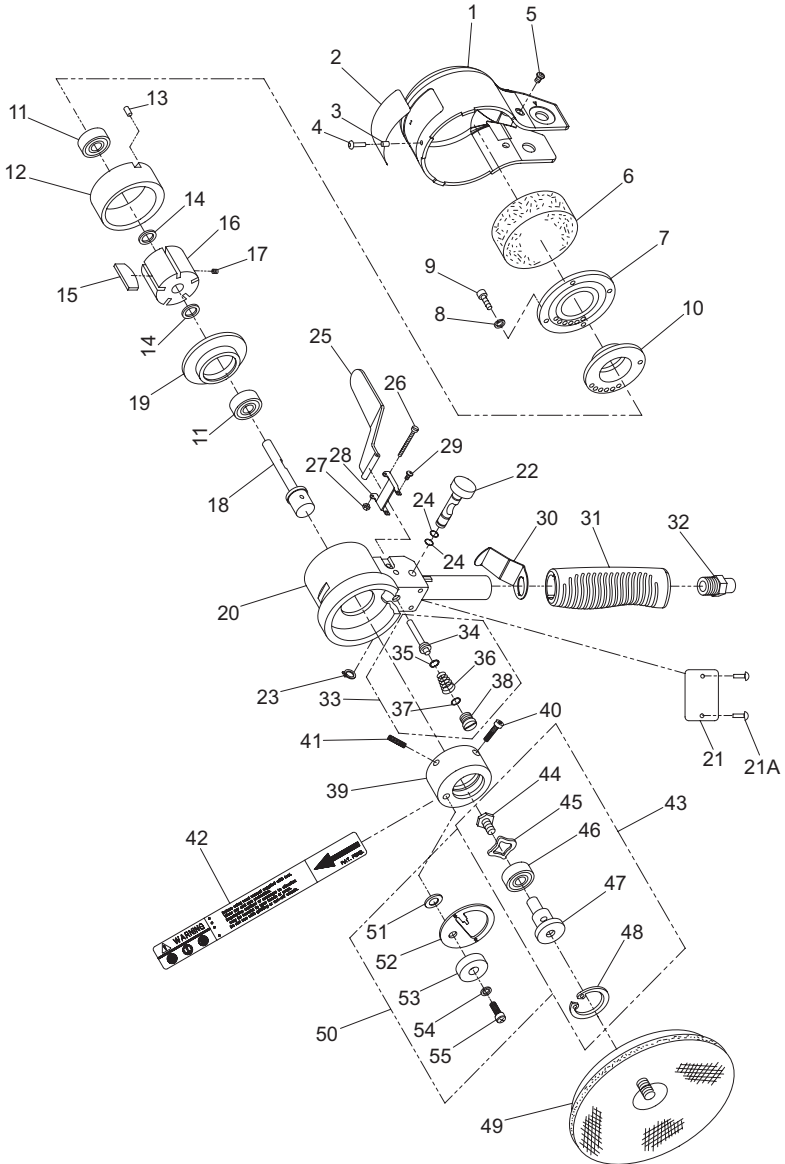


311A, Dual-Action Angle Sander - Exploded View



(Dwg. TP1663-2)



311A, Dual-Action Angle Sander - Parts List

Item	Part Description	Part Number	Item	Part Description	Part Number
1	Motor Cover Assembly	311A-A109	28	Lever Bracket Assembly	311A-A274
2	Label	311A-300	29	Screw (2 required)	---
3	Sleeve	---	30	Second Lever	311A-275
4	Rivet	---	31	Hand Grip	311A-160
5	Screw (2 required)	311A-78	32	Air Inlet Bushing	311A-565
6	Muffler	311A-311	33	Valve Assembly	311A-A161
7	Rotor Fixing Plate Assembly	311A-A118	34	Valve Stem	---
8	Washer (4 required)	---	35	O-Ring	---
9	Screw (4 required)	---	36	Spring	---
10	Rear End Plate	311A-12	37	O-Ring	---
11	Rotor Bearing	311A-24	38	Screw	---
12	Cylinder	311A-3	39	Balance Body Assembly	311A-A236
13	Pin	311A-114	40	Screw	---
14	Shim	311A-25	41	Set Screw	---
15	Vane Packet (set of 5)	311A-42-5	42	Warning Label	WARNING 25-99
16	Rotor	311A-53	43	Pad Shaft Assembly	311A-A235
17	Screw	311A-55	44	Screw	---
18	Spindle	311A-54	45	Wave Washer	---
19	Front End Plate	311A-11	46	Bearing	311A-97
20	Handle	311A-A159	47	Mounting Shaft	311A-235
21	Name Plate	311A-301	48	Retaining Ring	---
21A	Name Plate Rivet (2 required)	PF100-256	49	Sanding Pad	311A-825-6
22	Regulator Assembly	311A-A165	50	Drive Plate Assembly	311A-A800
23	Retaining Ring	---	51	Washer	---
24	O-Ring (2 required)	---	52	Drive Plate	---
25	Lever Assembly	311A-A273	53	Balance Nut	---
26	Lever Screw	---	54	Washer	---
27	Nut	---	55	Screw	---

Parts and Maintenance

When tool life has expired, it is recommended that the tool be disassembled, degreased and parts separated by material for proper recycling. Tool repair and maintenance should only be carried out by an authorized Service Center. Refer all communications to the nearest **Ingersoll Rand** office or distributor.

Related Documentation

Manuals can be downloaded from ingersollrand.com

For additional information, refer to:

Product Safety Information Manual 04580387

Product Information Manual 80156649