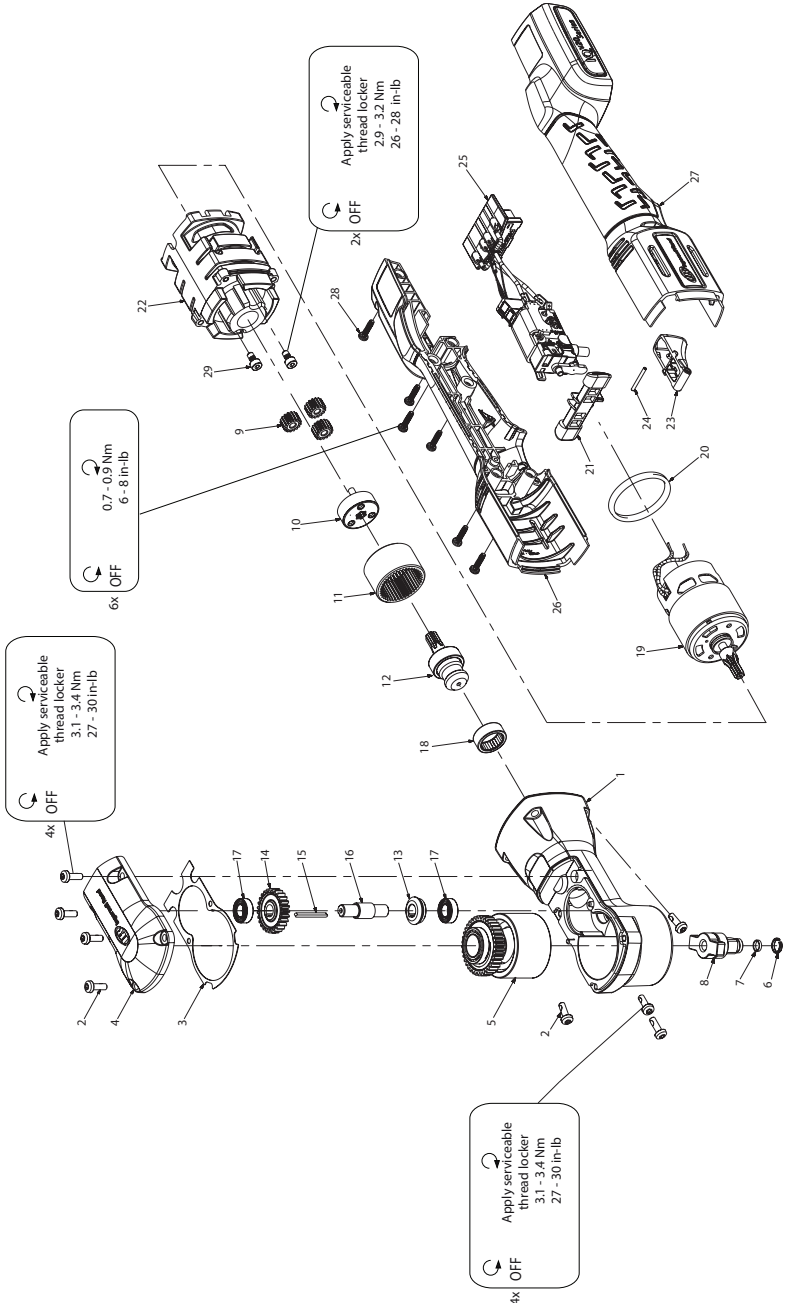


W5300 Series, Cordless Impact Angle Wrench - Exploded View



W5300 Series, Cordless Impact Angle Wrench - Parts List

Item	Part Description	Part Number (CCN)	Item	Part Description	Part Number (CCN)
*	Angle Head Kit	W5330-K550B (47515577001)	25	Switch and contact block asm	W5330-A93 (47501833001)
1	Angle Head Bottom Assembly	---	*	Housing Kit	W5330-K40 (47517038001)
2	Screw, Hammer Case (4 Required)	---	26	Right Housing	---
3	Gasket, Cover	---	27	Left Housing	---
4	Cover	---	*	Warning Label	---
5	Impact Mechanism Kit	W5330-K724 (47517030001)	*	Serial Number Label	---
*	Socket Retainer Kit	---	*	Information Label	---
	for W5330	2115-K425 (80107659)	28	Screw, Housing (6 Required)	---
6	Socket Retainer	---	*	Fastener Kit	W5330-K105 (47517043001)
7	O-Ring or Socket Retainer Spring	---	2	Screw, Angle Head (8 Required)	---
	for W5350	2125QTI-K425 (80107733)	28	Screw, Housing (6 Required)	---
6	Socket Retainer	---	29	Screw, Motor (2 Required)	---
7	O-Ring or Socket Retainer Spring	---	*	Label Kit	W5330-K99 (47517042001)
*	Anvil Kit - for W5330	W5330-K626 (47517036001)	*	Warning Label	---
8	Anvil 3/8"	---	*	Serial Number Label	---
*	Socket Retainer Kit (2115-K425)	---	*	Information Label	---
*	Anvil Kit - for W5350	W5350-K626 (7517033001)	*	Grease	---
*	Anvil 1/2"	---	*	IR #105 (1 lb can) - for Impact Assembly	105 1 LB (04279147)
*	Socket Retainer Kit (2125QTI-K425)	---	*	IR #105 (8 lb can) - for Impact Assembly	105 8 LB (04264875)
*	Planet Gear Kit	W5330-K10 (47517035001)	*	IR #67 (1 lb can) - for Gearing	67 1 LB (03773009)
9	Planet Gear (3 Required)	---	*	IR #67 (8 lb can) - for Gearing	67 8 LB (03820008)
10	Carrier - Planet Gear	---	*	Grease Gun	R000A2-228 (3095015)
11	Ring Gear	---	*	Carrying Case	W5330-CASE (47506036001)
*	Drive Gear Kit	W5330-K551 (47517034001)	*	Carrying Case Latch	W7000-LATCH (47502725001)
12	Bevel / Pinion Shaft Assembly	---	*	20V Li-Ion Battery Pack	---
13	Bevel Gear	---		2.5 Ah	BL2012 (47515903001)
14	Spur Gear	---		5.0 Ah	BL2022 (47515902001)
15	Key - 2x2x25	---	*	Protective Boot	---
16	Spur Shaft	---		for W5330, W5350	W5330-BOOT (47517635001)
17	Spur Bearing (2 Required)	---	*	Battery Charger	BC1121 (47507879001)
18	Needle Bearing, Bevel Pinion Shaft	---	*	Spline Wrench (for Removal of Ring Gear)	170-SW (16591505)
*	Electric Motor Kit	W5330-K54 (47517032001)	*	Protective Battery Boot	---
19	Motor / Pinion Gear Assembly	---		for BL2012	BL2005-BOOT (47510965001)
20	O-Ring (1 Required)	---		for BL2022	BL2010-BOOT (47510964001)
3	Gasket, Cover	W5330-K36 (47517031001)			
21	Forward/Reverse Actuator	W5330-K75 (47517039001)			
22	Motor Sleeve	W5330-K40Y (7517038001)			
*	Trigger Kit	R3100-K531 (47500493001)			
23	Trigger	---			
24	Pin, Trigger	---			

* Indicates not illustrated

Parts and Maintenance

When tool life has expired, it is recommended that the tool be disassembled, degreased and parts separated by material for proper recycling.

Tool repair and maintenance should only be carried out by an authorized Service Center.

Refer all communications to the nearest **Ingersoll Rand** office or distributor.

Related Documentation

Manuals can be downloaded from ingersollrand.com

For additional information, refer to:

Product Safety Information Manual 04581146

Product Information Manual 47515495001