



45612694  
Edition 3  
December 2021

## Air Drill

6A Series

---

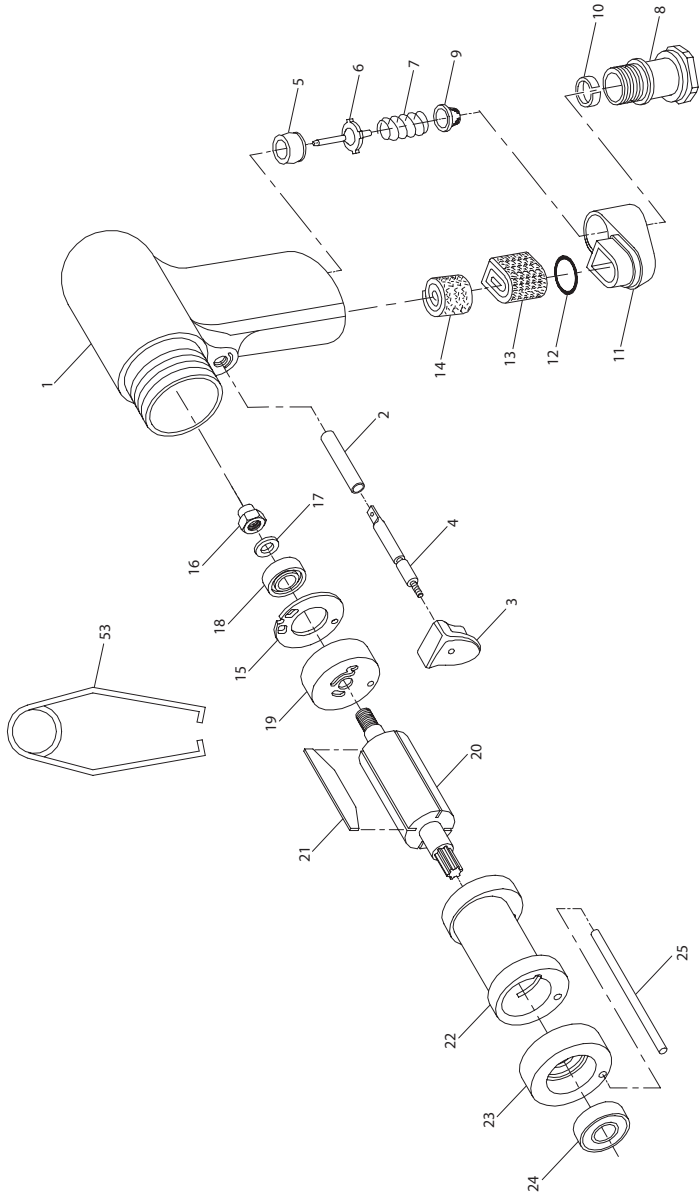
# Parts Information



Save These Instructions

 **Ingersoll Rand**

6A Series, Air Drill (Motor) - Exploded Diagram



(Dwg. TPB968)

## 6A Series, Air Drill (Motor) - Parts List

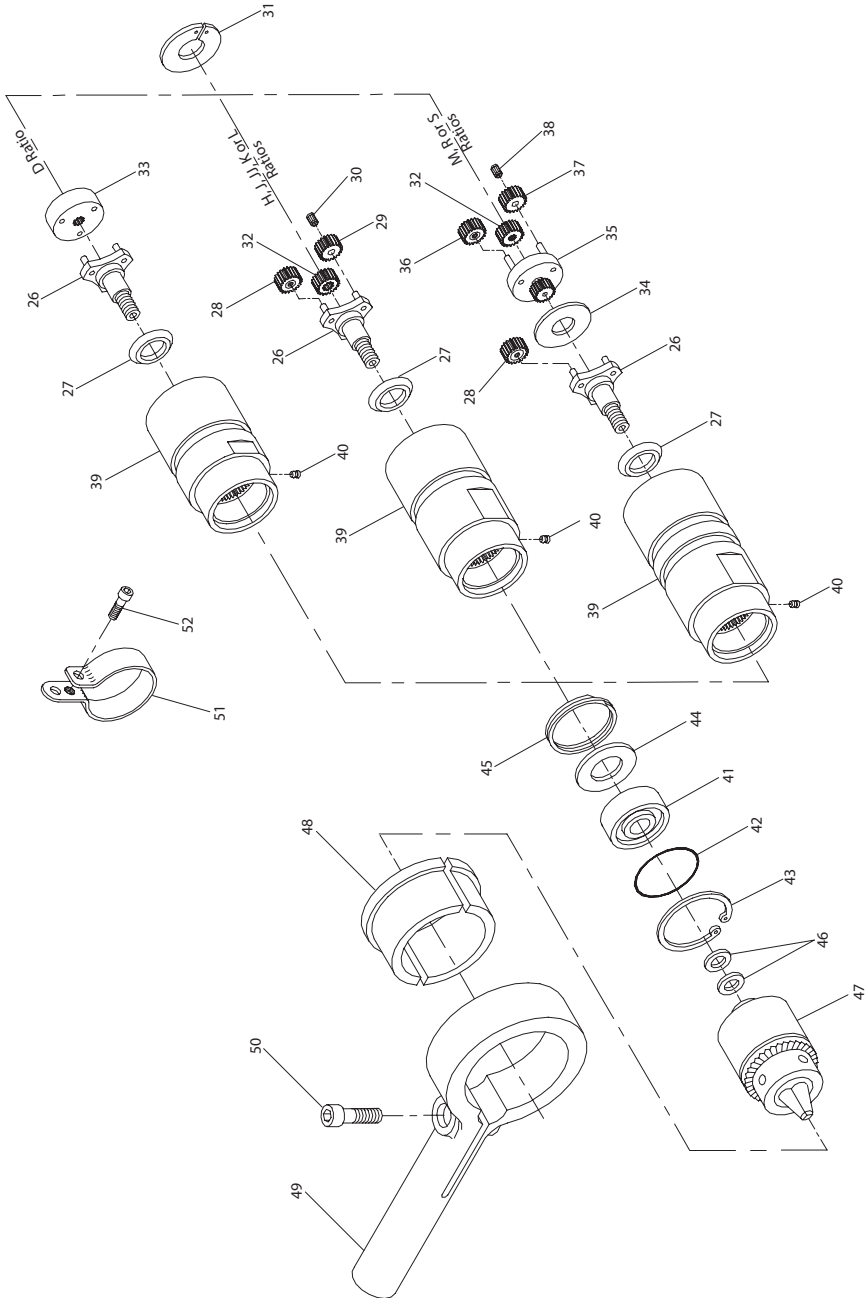
Item	Part Description	Part Number	Item	Part Description	Part Number
	Motor Housing Assembly		11	Muffler Assembly	3RA-A123
	for 6ARST6-EU and 6ASST6-EU	6AR-EU-DST40	† 12	Muffler O-Ring	85H-167
	for all other models ending in -EU	6AH-EU-DST40	† 13	Muffler Element	
	for 6ARST6 and 6ASST6	6AR-DST40		for R or S ratio	3RA-310
	for all other models	6AH-DST40		for all other ratios	4RA-310
*	Warning Label		† 14	Muffler Element (for R or S ratios only)	7L-311
	for all models ending in -EU	EU-99	† • 15	Rear End Plate Gasket	6WRT-739
	for all other models	WARNING-7-99	† • 16	Rear Rotor Bearing Retaining Nut	6WT-118
1	Motor Housing		† • 17	Bearing Thrust Washer	6WT-117
	for all models ending in -EU	6AH-EU-BST40	† 18	Rear Rotor Bearing	DG20-22
	for all other models	6AH-BST40	19	Rear End Plate	6AH-12
2	Trigger Bushing	4RA-91	20	Rotor	
	Trigger Assembly	7AH-A93		for D, H, J or M ratios (9 teeth)	6AH-53
3	Trigger	5RA-93		for JJ ratio (12 teeth)	6AJ-53
4	Trigger Pin	7AH-94		for K or R ratios (9 teeth)	6AK-53
† 5	Throttle Valve Seat	7AH-303		for L or S ratios (6 teeth)	6AL-53
† 6	Throttle Valve	7AH-302	† 21	Vane Packet (set of 4 Vanes)	6WT-42-4
† 7	Throttle Valve Spring	3RA-51	22	Cylinder	6AH-3
8	Inlet Bushing Assembly	7AH-A565	23	Front End Plate	6WT-11
† • 9	Air Strainer Screen	ROA2-61	24	Front Rotor Bearing	R00H-97
10	Inlet Bushing Spacer	7AH-65	25	Cylinder Dowel	6WT-98

\* Indicates not illustrated.

† Indicates tune-up kit part.

- To keep downtime to a minimum, it is desirable to have on hand certain repair parts. We recommend that you stock one (pair or set) of each part indicated by a bullet (•) for every four tools in service.

# 6A Series, Air Drill (Gear) - Exploded Diagram



(Dwg. TPA1363)

## 6A Series, Air Drill (Gear) - Parts List

Item	Part Description	Part Number	Item	Part Description	Part Number	
26	Spindle Assembly			Gear Case		
	for H ratio	6AH-A8		for D, H, JJ, J, K and L ratio models ending in -EU	6AH-EU-B37	
	for JJ ratio	6AJJ-A8		for all other D, H, JJ, J, K and L ratio models	6AH-B37	
	for R or S ratio	6AP-A8		for M, R and S ratio models ending in -EU	6AM-EU-B37	
	for K ratio	6AK-A8				
	for L ratio	6AL-A8				
	for M, D or J ratio	6AM-A8				
27	Seal Support	5A-28		for all other M, R and S ratio models	6AM-B37	
28	Spindle Planet Gear Assembly (3)		40	Grease Fitting	D0F9-879	
	for JJ, R or S ratios (18 teeth)	6WTP-A10	41	Spindle Bearing	5A-510	
	for J or M ratios (16 teeth)	6WTN-A10	† 42	Spindle Bearing Seal	6AH-103	
	for K ratio (20 teeth)	6WTK-A10	43	Spindle Bearing Retainer	7L-28	
	for L ratio (20 teeth)	6WTL-A10	44	Grease Shield	5R-701	
29	Spindle Planet Gear (for H ratio) (14 teeth) (3)	6WTM-10	45	Shield Retainer	6LL-343	
30	Spindle Planet Gear Bearing (for H ratio) (3)	6WTM-500	46	Drill Chuck Spacer (2 for R or S ratios; 1 for all other ratios)	5A-90	
31	Gear Retainer	6LL-81	47	Drill Chuck		
32	Rotor Pinion			for D, H, JJ, J, K or L ratio (0 to 1/4" [0 to 6.0 mm] capacity)	R00A-99	
	for H or M ratios (21 teeth)	6WTM-17		for M, R or S ratio (0 to 3/8" [0 to 10.0 mm] capacity)	6A-99	
	for J ratios (17 teeth)	6WTN-17				
33	Drive Plate (for D ratio)	6AD-171		* Chuck Key		
34	Gear Head Spacer (for M, R or S ratios)	6LM-80	for R00A-99 chuck	R00A-J253		
35	Gear Head	for M ratio (marked M)	6LM-216	for 6A-99 chuck	R0J-J253	
		for R ratio (marked R)	6LR-216A			
		for S ratio (marked S)	6AS-216			
36	Gear Head Planet Gear Assembly (3)		48	Dead Handle Adapter (2)	6A-49	
‡	for R ratio (20 teeth)	6WTK-A10	49	Dead Handle Assembly	R1A-A48	
‡	for S ratio (20 teeth)	6WTL-A10	50	Pinch Bolt	510-638	
37	Gear Head Planet Gear (for M ratio) (14 teeth) (3)	6WTM-10		Horizontal Hanger Assembly	7RA-A366	
38	Gear Head Planet Gear Bearing (for M ratio) (3)	6WTM-500	51	Horizontal Hanger	7RA-366	
	Gear Case Assembly		52	Hanger Screw	AL-638	
		for D, H, JJ, J, K and L ratio models sending in -EU	6AH-EU-A37	53	Vertical Hanger	7L-365
		for all other D, H, JJ, J, K and L ratio models	6AH-A37	*	Chuck Shield Kit (for models with D, J, JJ, K or L ratio)	7AH-K309
		for M, R and S ratio models ending in -EU	6AM-EU-A37	*	Grease Gun	R00A2-228
		for all other M, R and S ratio models	6AM-A37	*	Piped-Away Exhaust Kit	7L-K284
			*	Tune-up Kit (includes illustrated items 5, 6, 7, 9, 12, 13, 14, 15, 16, 17, 18, 21 and 42)	6-DRILLS-TK1	

\* Indicates not illustrated.

† Indicates tune-up kit part.

‡ The gears used in both the No. 6WTL-A10 and No. 6WTK-A10 Planet Gear Assemblies have 20 teeth. The Gear (Part No. 6WTK-A10) can be distinguished by the annular groove through the middle of the tooth.

## Parts and Maintenance

When tool life has expired, it is recommended that the tool be disassembled, degreased and parts separated by material for proper recycling.

Tool repair and maintenance should only be carried out by an authorized Service Center.

Refer all communications to the nearest **Ingersoll Rand** office or distributor.

## Related Documentation

Manuals can be downloaded from [ingersollrand.com](http://ingersollrand.com)

For additional information refer to:

Product Safety Information Manual 04580353.

Product Information Manual 03539707.

Maintenance Information Manual 45612702.

Declaration of Conformity 47759534001.

---

**Notes:**

**Notes:**

---

[ingersollrand.com](https://www.ingersollrand.com)

© 2021 *Ingersoll Rand*

