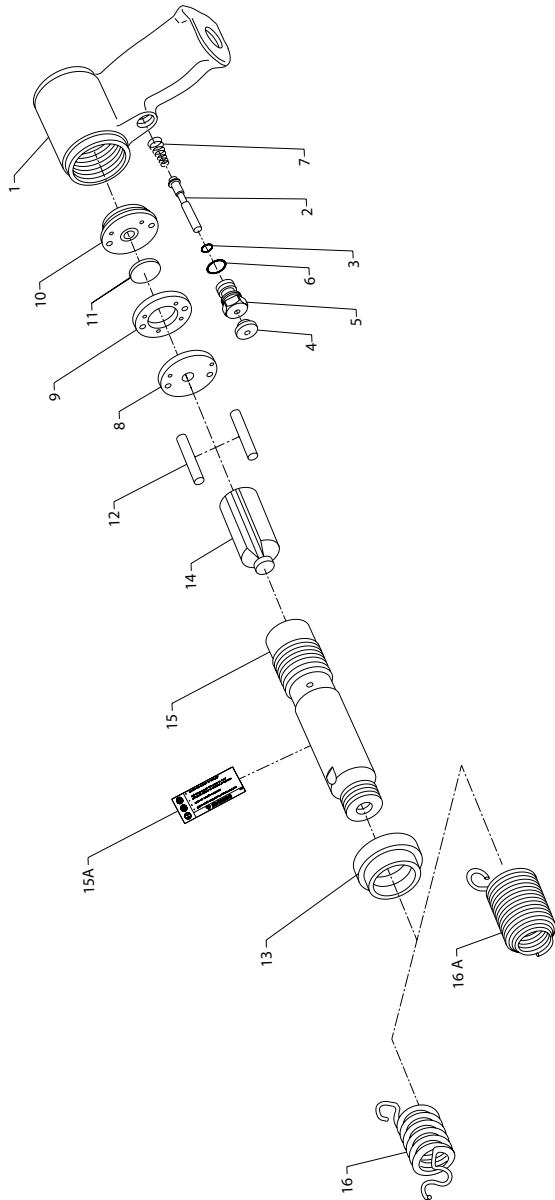


772 Model Air Percussive Hammer - Exploded View



(Dwg. TPC526-2)



772 Model Air Percussive Hammer - Parts List

Item	Part Description	Part Number	Item	Part Description	Part Number
1	Offset Handle Assembly	772-A59	◆ 12	Dowel Pin (2 required)	MC121-32
	Throttle Valve and Bushing Assembly	MC10B-A302	13	Exhaust Deflector	AV11-85
2	Throttle Valve Assembly	MC121-302	14	Piston	MC121-5
◆ 3	Throttle Valve Face	R00B1-159	15	Barrel	NMC121-6
4	Throttle Valve Button	R00AR2C-305A	15A	Warning Label	WARNING-6-99
5	Throttle Valve Bushing Assembly	MC10B-A503		Tool Retainer	
◆ 6	Throttle Valve Bushing Seal	R000BR-210	◆ 16	Quick-Change Type	AVC10-183A
◆ 7	Throttle Valve Spring	508-51	16A	Safety Type	AVC1-83
8	Valve Seat	MC121-3	*	Carrying Case	MC121-A96
9	Valve Spacer	MC121-8	*	Tune-up Kit (includes illustrated items 3, 6, 7, 11, 12 [2], 16 and Bottle of Oil)	772-TK1
◆ 11	Valve	MC121-2			

* Indicates not illustrated.

◆ Indicates Tune-up Kit part.

Parts and Maintenance

When tool life has expired, it is recommended that the tool be disassembled, degreased and parts separated by material for proper recycling.

Tool repair and maintenance should only be carried out by an authorized Service Center.

Refer all communications to the nearest **Ingersoll Rand** office or distributor.

Related Documentation

Manuals can be downloaded from ingersollrand.com

For additional information, refer to:

Air Percussive Tool Product Safety Information Manual 04581450.

Air Percussive Hammer Product Information Manual 03525763.

Air Percussive Hammer Maintenance Information Manual 16605867.