



SERVICE PARTS LIST

BULLETIN NO.
54-04-1815

SPECIFY CATALOG NO. AND SERIAL NO. WHEN ORDERING PARTS		REVISED BULLETIN	DATE
M18 PACKOUT™ SIX BAY RAPID CHARGER			June 2022
CATALOG NO. 48-59-1809	STARTING SERIAL NO. M76A	WIRING INSTRUCTION	

EXAMPLE:
Component Parts (Small #)
Are Included When Ordering
The Assembly (Large #).

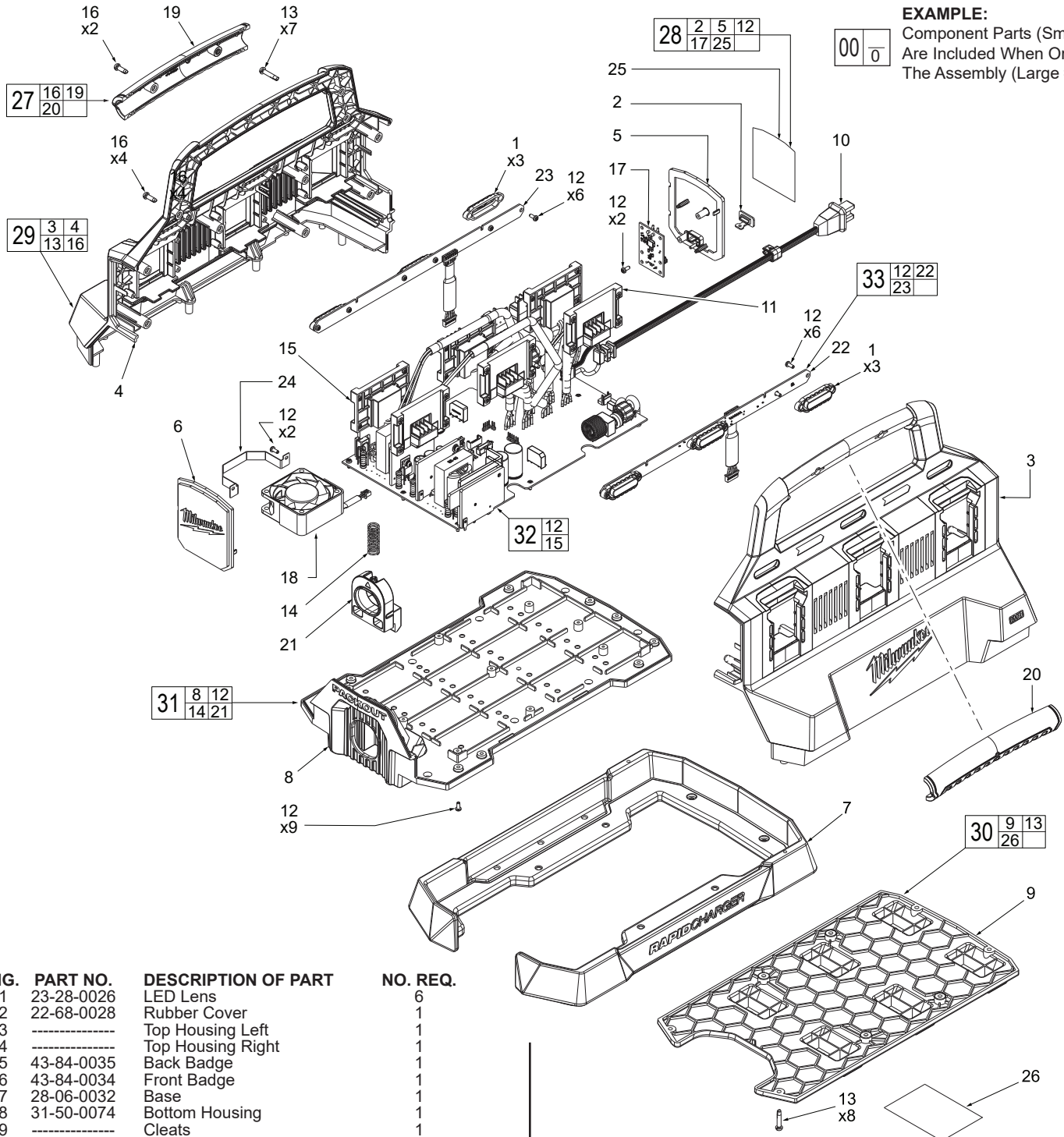


FIG.	PART NO.	DESCRIPTION OF PART	NO. REQ.
1	23-28-0026	LED Lens	6
2	22-68-0028	Rubber Cover	1
3	-----	Top Housing Left	1
4	-----	Top Housing Right	1
5	43-84-0035	Back Badge	1
6	43-84-0034	Front Badge	1
7	28-06-0032	Base	1
8	31-50-0074	Bottom Housing	1
9	-----	Cleats	1
10	22-64-0122	Power Cord Kit	1
11	22-40-0026	Terminal Holder	1
12	05-74-0199	M3 x 7mm PH T-10 Screw	25
13	05-74-0198	M4 36mm PH T-20 Screw	15
14	40-50-0391	Spring	1
15	14-20-0248	PCBA	1
16	05-74-0197	M4 x 12mm PH T-20 Screw	6
17	22-80-0038	USB Board	1
18	22-84-0012	Fan Assembly	1
19	-----	Handle Cover Right	1
20	-----	Handle Cover Left	1
21	42-36-0088	Locker	1
22	-----	LED Board Left	1
23	-----	LED Board Right	1
24	42-36-0089	Fan Bracket	1

FIG.	PART NO.	DESCRIPTION OF PART	NO. REQ.
25	10-20-9112	Service Nameplate	1
26	12-25-0619	Warning Label	1
27	31-44-0274	Handle Grip Kit	1
28	14-20-0407	USB PCBA Kit	1
29	31-44-0308	Top Housing Kit	1
30	45-58-0286	Packout Cleat Kit	1
31	31-76-0024	Packout Locker Kit	1
32	14-20-0266	Main PCBA Service Kit	1
33	22-09-0114	LED Board Kit	1