



SERVICE PARTS LIST

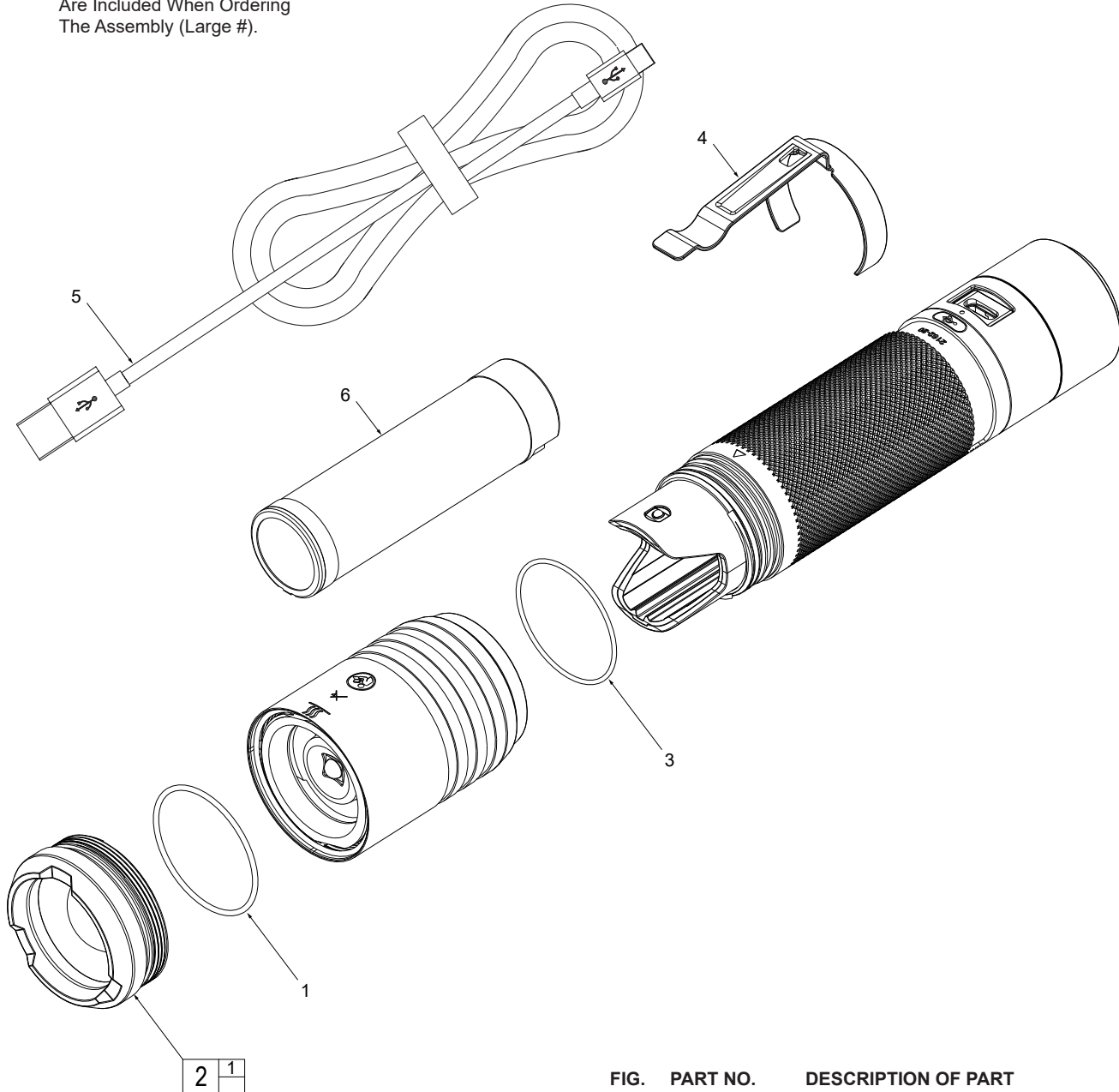
BULLETIN NO.
54-06-0010

| | | | |
|---|----------------------------|--------------------|-----------|
| SPECIFY CATALOG NO. AND SERIAL NO. WHEN ORDERING PARTS | | REVISED BULLETIN | DATE |
| USB Rechargeable 2000L Slide Focus Flashlight | | | Nov. 2022 |
| CATALOG NO. 2162-20 | STARTING SERIAL NO. | WIRING INSTRUCTION | |

EXAMPLE:

| | |
|----|---|
| 00 | 0 |
|----|---|

 Component Parts (Small #)
 Are Included When Ordering
 The Assembly (Large #).



| FIG. | PART NO. | DESCRIPTION OF PART | NO. REQ. |
|------|------------|------------------------------------|----------|
| 1 | 34-40-2003 | Lens O-Ring | (1) |
| 2 | 44-06-0058 | Lens Assembly | (1) |
| 3 | 34-40-2002 | Body O-Ring | (1) |
| 4 | 42-70-0008 | Belt Clip | (1) |
| 5 | 42-44-1210 | 2' USB Cable (Optional) | (1) |
| 6 | 48-11-2131 | REDLITHIUM® USB Battery (Optional) | (1) |
| | 12-20-2109 | Service Nameplate (Not Shown) | (1) |