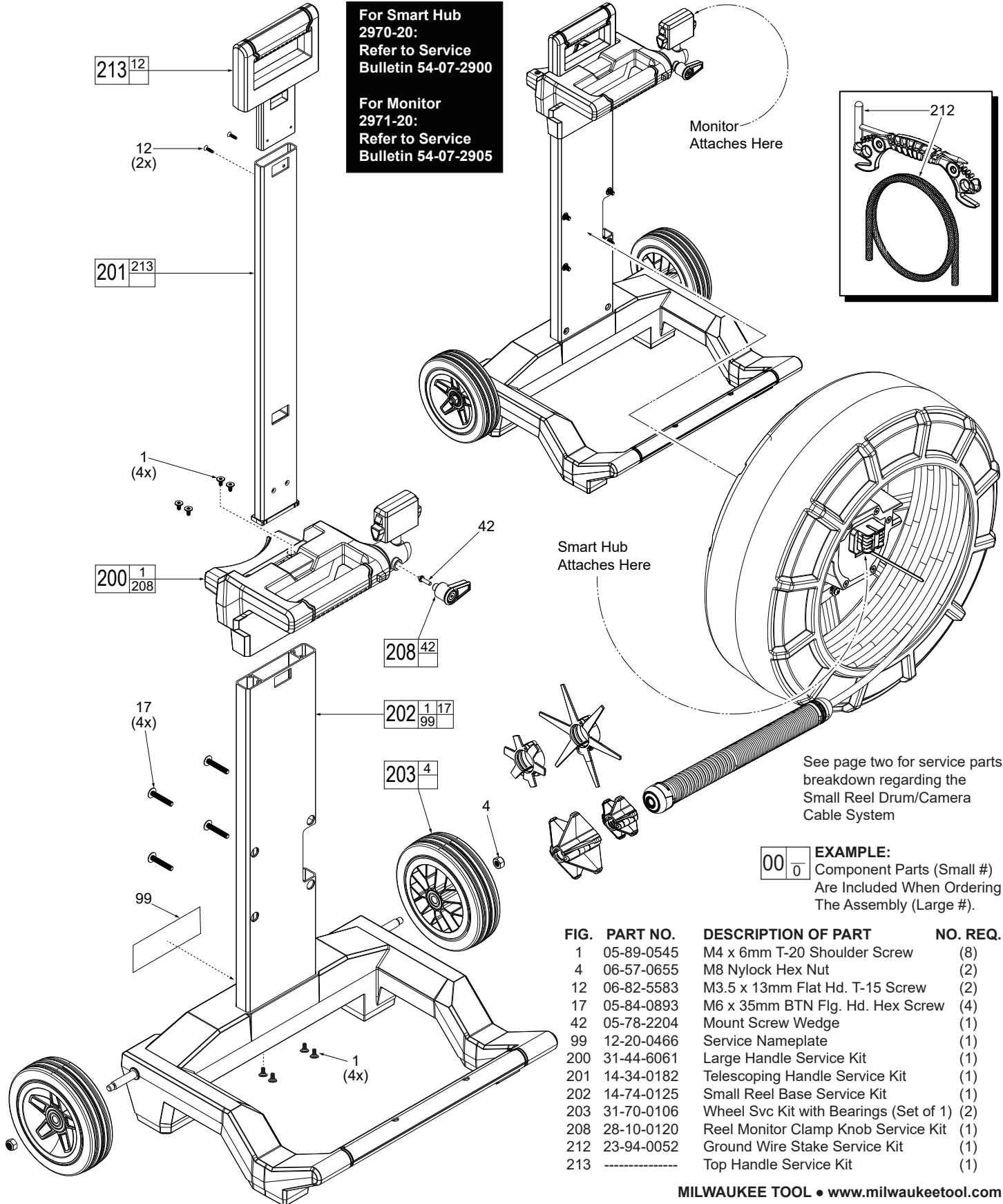




# SERVICE PARTS LIST

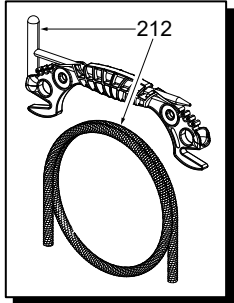
**BULLETIN NO.**  
**54-07-2925**

SPECIFY CATALOG NO. AND SERIAL NO. WHEN ORDERING PARTS		REVISED BULLETIN	DATE
<b>M18™ 200' Mid-Stiff Pipeline Inspection Reel</b>			June 2022
CATALOG NO.	<b>2975-20</b>	SERIAL NUMBER	<b>M73A</b>
			WIRING INSTRUCTION



**For Smart Hub  
2970-20:  
Refer to Service  
Bulletin 54-07-2900**

**For Monitor  
2971-20:  
Refer to Service  
Bulletin 54-07-2905**



See page two for service parts breakdown regarding the Small Reel Drum/Camera Cable System

**EXAMPLE:**  
00 0 Component Parts (Small #)  
Are Included When Ordering  
The Assembly (Large #).

FIG.	PART NO.	DESCRIPTION OF PART	NO. REQ.
	1	05-89-0545 M4 x 6mm T-20 Shoulder Screw	(8)
	4	06-57-0655 M8 Nylock Hex Nut	(2)
	12	06-82-5583 M3.5 x 13mm Flat Hd. T-15 Screw	(2)
	17	05-84-0893 M6 x 35mm BTN Flg. Hd. Hex Screw	(4)
	42	05-78-2204 Mount Screw Wedge	(1)
	99	12-20-0466 Service Nameplate	(1)
	200	31-44-6061 Large Handle Service Kit	(1)
	201	14-34-0182 Telescoping Handle Service Kit	(1)
	202	14-74-0125 Small Reel Base Service Kit	(1)
	203	31-70-0106 Wheel Svc Kit with Bearings (Set of 1)	(2)
	208	28-10-0120 Reel Monitor Clamp Knob Service Kit	(1)
	212	23-94-0052 Ground Wire Stake Service Kit	(1)
	213	----- Top Handle Service Kit	(1)

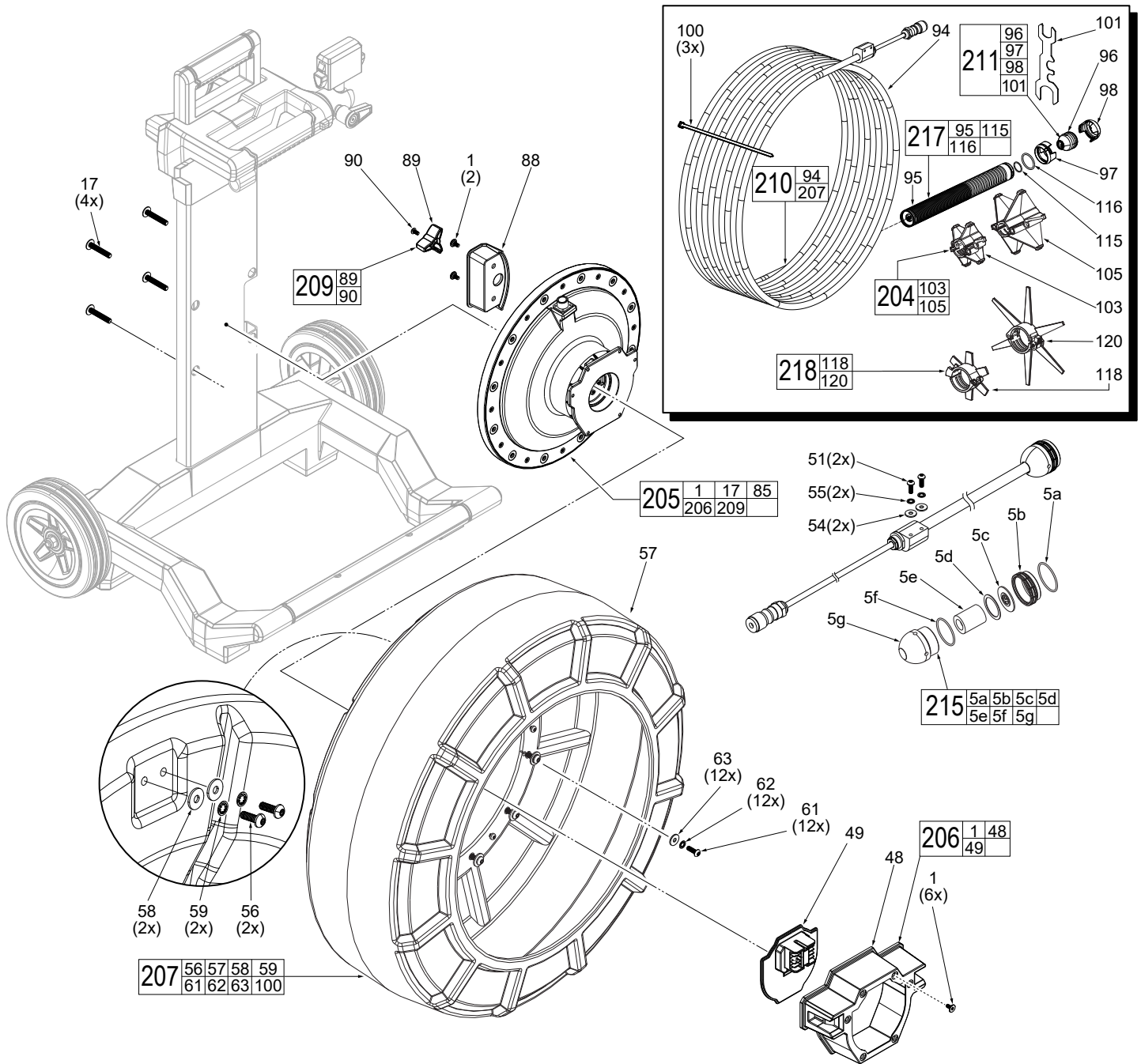


FIG.	PART NO.	DESCRIPTION OF PART	NO. REQ.
1	05-89-0545	M4 x 6mm T-20 Shoulder Screw	(8)
5a	34-40-0221	O-Ring	(1)
5b	-----	Spring Body	(1)
5c	-----	Circuit Board	(1)
5d	-----	Foam	(1)
5e	-----	Coil	(1)
5f	-----	O-Ring	(1)
5g	-----	Housing	(1)
17	05-84-0893	M6 x 35mm BTN Flg. Hd. Hex Screw	(4)
48	31-06-2010	Hub Mount Skirt	(1)
49	-----	Hub Mount Garn Base	(1)
51	05-83-0008	M4 x 12mm Pan Hd. T-20 Screw	(2)
54	06-97-3703	M4 Flat Washer	(2)
55	06-97-3704	M4 Internal Tooth Lock Washer	(2)
56	05-83-0008	M4 x 12mm Pan Hd. T-20 Screw	(2)
57	-----	Drum-Small	(1)
58	06-97-3703	M4 Flat Washer	(2)
59	06-97-3704	M4 Internal Tooth Lock Washer	(2)
61	05-83-0006	M5 x 16mm Pan Hd. T-25 Screw	(12)
62	06-97-3702	M5 Internal Tooth Lock Washer	(12)
63	06-97-3700	M5 Flat Washer	(12)
88	-----	Brake Cover	(1)
89	-----	Brake Knob	(1)
90	05-83-0009	M4 x 8mm Pan Hd. T-20 Screw	(1)

FIG.	PART NO.	DESCRIPTION OF PART	NO. REQ.
94	-----	Cable Camera 200'	(1)
95	-----	Quick Change Spring Attachment	(1)
96	-----	D25 Camera	(1)
97	-----	D25 Rear Sleeve	(1)
98	-----	D25 Front Sleeve	(1)
100	23-78-0115	7.5" Cable Tie	(3)
101	28-52-0012	Camera Head Wrench	(1)
103	-----	D25 Large Barrel Skid	(1)
105	-----	D25 Large Barrel Skid	(1)
115	34-40-0224	O-Ring	(1)
116	34-40-0223	O-Ring	(1)
118	-----	D25 Small Star Skid	(1)
120	-----	D25 Large Star Skid	(1)
204	43-48-0021	D25 Skid and Sleeve Service Kit	(1)
205	28-06-0031	Small Reel Counter Service Kit	(1)
206	28-06-0029	Small Reel Hub Mount Service Kit	(1)
207	43-11-0038	Small Drum Service Kit	(1)
209	14-47-0043	Brake Knob Service Kit	(1)
210	14-46-0248	200' Cable Camera/Drum Service Kit	(1)
211	14-46-0232	D25 Camera Service Kit	(1)
215	14-46-0213	D25 Rermination Service Kit	(1)
217	40-50-0271	Quick Change Spring Attachment Assy.	(1)
218	42-96-0023	D25 Star Skid Service Kit	(1)