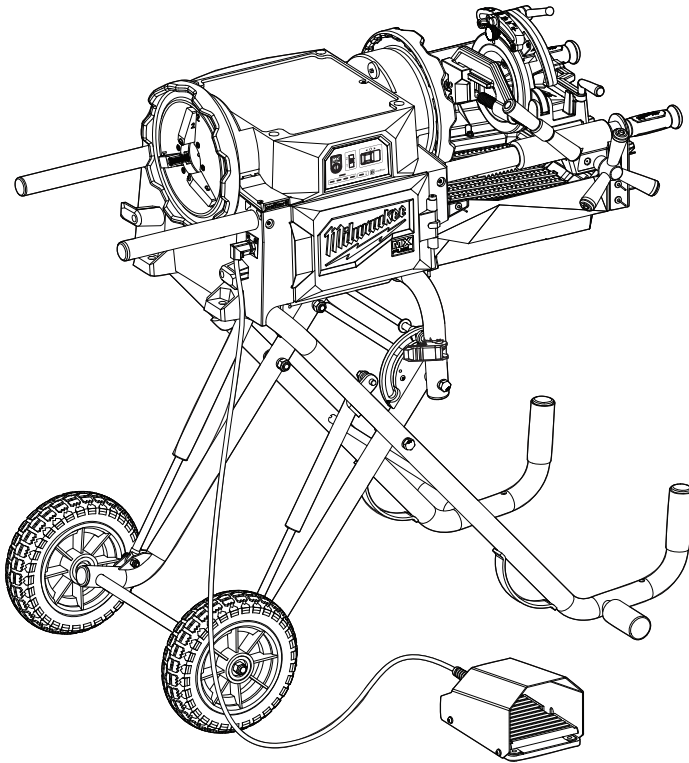




OPERATOR'S MANUAL
MANUEL de L'UTILISATEUR
MANUAL del OPERADOR



Cat. No. / No de cat.
MXF512

MX FUEL™ PIPE THREADING MACHINE W/ ONE-KEY™
FILETEUSE ÉLECTRIQUE DE TUYAUX MX FUEL™ AVEC
ONE-KEY™

MÁQUINA DE ENROSCADO DE TUBERÍAS MX FUEL™ CON
ONE-KEY™



WARNING To reduce the risk of injury, user must read and understand operator's manual.

AVERTISSEMENT Afin de réduire le risque de blessures, l'utilisateur doit lire et bien comprendre le manuel.

ADVERTENCIA Para reducir el riesgo de lesiones, el usuario debe leer y entender el manual.

GENERAL POWER TOOL SAFETY WARNINGS

⚠WARNING Read all safety warnings, instructions, illustrations and specifications provided with this power tool. Failure to follow all instructions listed below may result in electric shock, fire and/or serious injury. **Save all warnings and instructions for future reference.** The term "power tool" in the warnings refers to your mains-operated (corded) power tool or battery-operated (cordless) power tool.

WORK AREA SAFETY

- **Keep work area clean and well lit.** Cluttered or dark areas invite accidents.
- **Do not operate power tools in explosive atmospheres, such as in the presence of flammable liquids, gases or dust.** Power tools create sparks which may ignite the dust or fumes.
- **Keep children and bystanders away while operating a power tool.** Distractions can cause you to lose control.

ELECTRICAL SAFETY

- **Power tool plugs must match the outlet. Never modify the plug in any way. Do not use any adapter plugs with earthed (grounded) power tools.** Unmodified plugs and matching outlets will reduce risk of electric shock.
- **Avoid body contact with earthed or grounded surfaces, such as pipes, radiators, ranges and refrigerators.** There is an increased risk of electric shock if your body is earthed or grounded.
- **Do not expose power tools to rain or wet conditions.** Water entering a power tool will increase the risk of electric shock.
- **Do not abuse the cord. Never use the cord for carrying, pulling or unplugging the power tool. Keep cord away from heat, oil, sharp edges or moving parts.** Damaged or entangled cords increase the risk of electric shock.
- **When operating a power tool outdoors, use an extension cord suitable for outdoor use.** Use of a cord suitable for outdoor use reduces the risk of electric shock.
- **If operating a power tool in a damp location is unavoidable, use a ground fault circuit interrupter (GFCI) protected supply.** Use of an GFCI reduces the risk of electric shock.

PERSONAL SAFETY

- **Stay alert, watch what you are doing and use common sense when operating a power tool. Do not use a power tool while you are tired or under the influence of drugs, alcohol or medication.** A moment of inattention while operating power tools may result in serious personal injury.
- **Use personal protective equipment. Always wear eye protection.** Protective equipment such as a dust mask, non-skid safety shoes, hard hat or hearing protection used for appropriate conditions will reduce personal injuries.
- **Prevent unintentional starting. Ensure the switch is in the off-position before connecting to power source and/or battery pack, picking up or carrying the tool.** Carrying power tools with your finger on the switch or energizing power tools that have the switch on invites accidents.

- **Remove any adjusting key or wrench before turning the power tool on.** A wrench or a key left attached to a rotating part of the power tool may result in personal injury.
- **Do not overreach. Keep proper footing and balance at all times.** This enables better control of the power tool in unexpected situations.
- **Dress properly. Do not wear loose clothing or jewelry. Keep your hair and clothing away from moving parts.** Loose clothes, jewelry or long hair can be caught in moving parts.
- **If devices are provided for the connection of dust extraction and collection facilities, ensure these are connected and properly used.** Use of dust collection can reduce dust-related hazards.
- **Do not let familiarity gained from frequent use of tools allow you to become complacent and ignore tool safety principles.** A careless action can cause severe injury within a fraction of a second.

POWER TOOL USE AND CARE

- **Do not force the power tool. Use the correct power tool for your application.** The correct power tool will do the job better and safer at the rate for which it was designed.
 - **Do not use the power tool if the switch does not turn it on and off.** Any power tool that cannot be controlled with the switch is dangerous and must be repaired.
 - **Disconnect the plug from the power source and/ or remove the battery pack, if detachable, from the power tool before making any adjustments, changing accessories, or storing power tools.** Such preventive safety measures reduce the risk of starting the power tool accidentally.
 - **Store idle power tools out of the reach of children and do not allow persons unfamiliar with the power tool or these instructions to operate the power tool.** Power tools are dangerous in the hands of untrained users.
 - **Maintain power tools and accessories. Check for misalignment or binding of moving parts, breakage of parts and any other condition that may affect the power tool's operation. If damaged, have the power tool repaired before use.** Many accidents are caused by poorly maintained power tools.
 - **Keep cutting tools sharp and clean.** Properly maintained cutting tools with sharp cutting edges are less likely to bind and are easier to control.
 - **Use the power tool, accessories and tool bits etc. in accordance with these instructions, taking into account the working conditions and the work to be performed.** Use of the power tool for operations different from those intended could result in a hazardous situation.
 - **Keep handles and grasping surfaces dry, clean and free from oil and grease.** Slippery handles and grasping surfaces do not allow for safe handling and control of the tool in unexpected situations.
- ### BATTERY TOOL USE AND CARE
- **Recharge only with the charger specified by the manufacturer.** A charger that is suitable for one type of battery pack may create a risk of fire when used with another battery pack.
 - **Use power tools only with specifically designated battery packs.** Use of any other battery packs may create a risk of injury and fire.

- When battery pack is not in use, keep it away from other metal objects, like paper clips, coins, keys, nails, screws or other small metal objects, that can make a connection from one terminal to another. Shorting the battery terminals together may cause burns or a fire.
- Under abusive conditions, liquid may be ejected from the battery; avoid contact. If contact accidentally occurs, flush with water. If liquid contacts eyes, additionally seek medical help. Liquid ejected from the battery may cause irritation or burns.
- Do not use a battery pack or tool that is damaged or modified. Damaged or modified batteries may exhibit unpredictable behavior resulting in fire, explosion or risk of injury.
- Do not expose a battery pack or tool to fire or excessive temperature. Exposure to fire or temperature above 265°F (130°C) may cause explosion.
- Follow all charging instructions and do not charge the battery pack or tool outside the temperature range specified in the instructions. Charging improperly or at temperatures outside the specified range may damage the battery and increase the risk of fire.

SERVICE

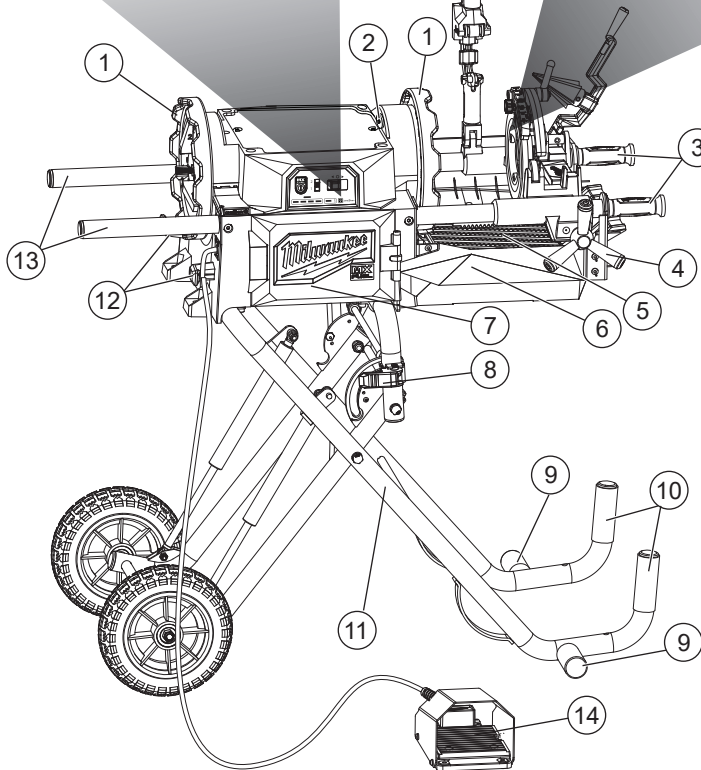
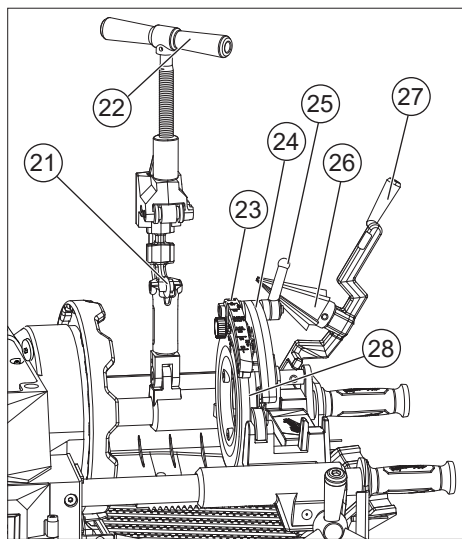
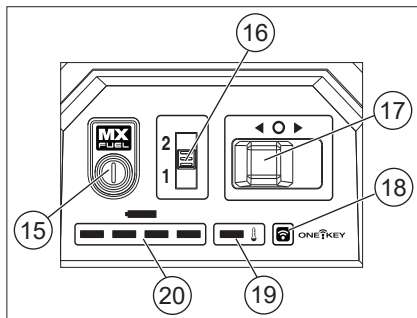
- Have your power tool serviced by a qualified repair person using only identical replacement parts. This will ensure that the safety of the power tool is maintained.
- Never service damaged battery packs. Service of battery packs should only be performed by the manufacturer or authorized service providers.

SPECIFIC SAFETY RULES FOR PIPE THREADER

- Keep floor dry and free of slippery materials such as oil. Slippery floors invite accidents.
- Restrict access or barricade the area from bystanders when the workpiece extends beyond the machine to provide a minimum of three feet (one metre) clearance from the workpiece. Restricting access or barricading the work area around the workpiece will reduce the risk of entanglement.
- Do not wear gloves. Gloves may be entangled by the rotating pipe or machine parts leading to personal injury.
- Do not use the machine for other purposes such as drilling holes or turning winches. Other uses or modifying this machine for other applications may increase the risk of serious injury.
- Secure the machine to a bench or stand. Support long heavy pipe with pipe supports. This practice will prevent the machine from tipping.
- While operating the machine, stand on the side where the operator control switch is located. Operating the machine from this side eliminates need to reach over the machine.
- Keep hands away from rotating pipe and fittings. Stop the machine before wiping pipe threads or screwing on fittings. Allow the machine to come to a complete stop before touching the pipe. This practice will reduce the risk of entanglement in rotating parts.
- Do not use this machine to install or remove fittings. This practice could lead to trapping, entanglement and loss of control.
- Do not operate the machine without all covers properly installed. Exposing moving parts increases the probability of entanglement.
- Do not use this machine if the foot switch is broken or missing. The foot switch provides safety control of the machine, such as emergency shutoff in case of entanglement.
- Before each use, inspect the pipe threader for any broken, worn, missing, misaligned or binding parts or other damage. Confirm that the foot switch is attached and operating properly. Such preventive measures reduce the risk of serious injury from electric shock, crushing and helps prevent pipe threader damage.
- Never reach into the machine from front or rear chuck, this will reduce the risk of entanglement.
- Only one person must control the work process, tool operation, and foot switch. Additional people involved in the process may result in unintended operation and personal injury.
- Keep sleeves and jackets buttoned while operating the tool. Do not reach across the tool or pipe. Clothing can be caught by the pipe or the tool resulting in entanglement.
- Never run the machine without thread cutting oil. Parts may become hot and cause machine to overheat.
- Do not use dies that are showing signs of wear, dull, or damaged. Sharp cutting tools require less torque and the tool is easier to control.
- Only use MILWAUKEE or equivalent die heads. Other die heads may not fit correctly in the tool increasing the risk of equipment damage and personal injury.
- Do not use cart to transport other loads or add additional accessories.
- Fingers can be pinched between the legs of the cart. To reduce the risk of injury while setting up/collapsing, keep fingers out of areas where the legs are secure in place.
- Chemical Burn Hazard. Keep coin cell battery away from children.
- AWARNING** To reduce the risk of injury in applications that produce a considerable amount of dust, use an OSHA compliant dust extraction solution in accordance with the solution's operating instructions.
- Always use common sense and be cautious when using tools. It is not possible to anticipate every situation that could result in a dangerous outcome. Do not use this tool if you do not understand these operating instructions or you feel the work is beyond your capability; contact Milwaukee Tool or a trained professional for additional information or training.
- Maintain labels and nameplates. These carry important information. If unreadable or missing, contact a MILWAUKEE service facility for a free replacement.
- AWARNING** Some dust created by power sanding, sawing, grinding, drilling, and other construction activities contains chemicals known to cause cancer, birth defects or other reproductive harm. Some examples of these chemicals are:
 - lead from lead-based paint
 - crystalline silica from bricks and cement and other masonry products, and
 - arsenic and chromium from chemically-treated lumber.
 Your risk from these exposures varies, depending on how often you do this type of work. To reduce your exposure to these chemicals: work in a well ventilated area, and work with approved safety equipment, such as those dust masks that are specially designed to filter out microscopic particles.










FUNCTIONAL DESCRIPTION

1. Hammer chucks
2. Foot switch holder
3. Accessory carriage handles
4. Carriage assembly adjuster
5. Debris tray
6. Oil reservoir
7. Battery bay
8. Cart latch
9. Cross bar



10. Cart handles
11. Cart
12. Cord holders
13. Accessory arms
14. Foot switch
15. Arm button
16. Speed control
17. Direction control
18. ONE-KEY™ indicator
19. Overtemperature indicator light
20. Fuel gauge
21. Cutting wheel
22. Cutting wheel tightening handle
23. Pipe scale
24. Die release lever
25. Clamp lever
26. Reamer
27. Reamer handle
28. Die head

SYMBOLLOGY

-  Volts
-  Direct Current
-  **▲WARNING** Risk of Electric Shock
-  Read Operator's Manual
-  Always wear eye protection
-  Keep hands and clothing away from moving parts
-  Do not wear gloves
-  Two-person lift
-  UL Listing for Canada and U.S.

▲WARNING Only use accessories specifically recommended for this machine. Others may be hazardous.

Do not use this machine if the foot switch is broken or missing. The foot switch provides safe control of the machine, such as emergency shutoff in case of entanglement.

Fingers can be pinched between the legs of the cart. To reduce the risk of injury while setting up/collapsing, keep fingers out of areas where the legs are secure in place.

Fuel Gauge

When the machine is armed, the Fuel Gauge displays the battery pack's remaining run time. The fuel gauge mirrors the fuel gauge on the battery pack. When less than 10% of charge is left, 1 light on the fuel gauge will flash. When the battery reaches 0% charge, the fuel gauge will flash 8 times. Charge the battery pack.

- 10-32%
- 32-55%
- 55-77%
- 77-100%

Less than 10% if first light flashes 4 times

Setting Up/Collapsing Cart

1. Make sure area is dry, stable and level to support pipe threader.
2. Remove battery pack.
3. To **set up** cart, gently put the cart down and open the cart latch.

SPECIFICATIONS

Cat. No.....	MXF512
Battery Type.....	MX FUEL™
Charger Type.....	MX FUEL™
Module/FCC ID.....	BGM11S/QOQ11
RPM.....	39 / 59
Threading Capacity.....	1/8" - 2"
Pipe Capacity Speed 1.....	2" (max)
Pipe Capacity Speed 2.....	2" (max)
Compatible Dies.....	1/8" - 3/8" 1/2" - 3/4" 1" - 2"
Oil Capacity.....	1 Gal.
Lifting Weight.....	254 lbs.*
Recommended Ambient	
Operating Temperature.....	0°F to 125°F

* Lifting weight includes the weight of the tool, heaviest expected accessories, and oil. Always add in the weight of the battery pack if installed during lift.

ASSEMBLY

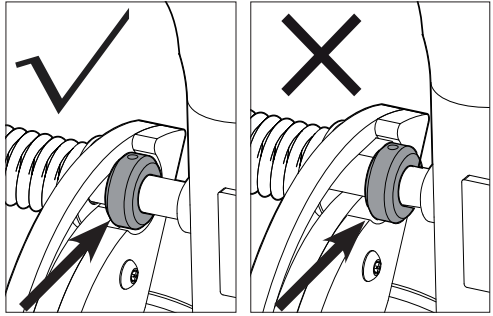
▲WARNING Recharge only with the charger specified for the battery. For specific charging instructions, read the operator's manual supplied with your charger and battery.

Removing/Inserting the Battery

To **remove** the battery, push the battery latch lock to the side and squeeze the battery latch lever. Pull the battery pack away from the machine.

▲WARNING Always remove battery pack before changing or removing accessories.

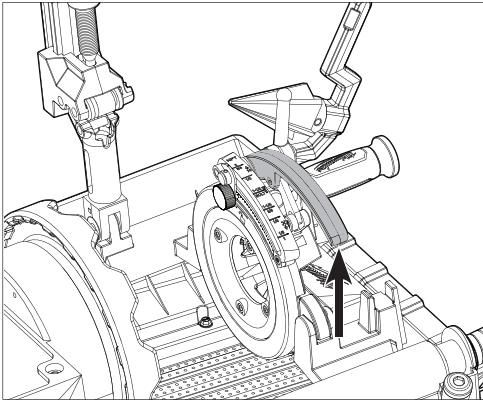
To **insert** the battery, slide the pack into the body of the machine. Make sure it latches securely into place.



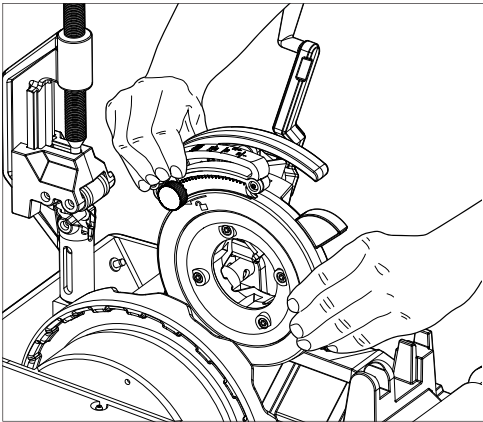
4. Pull up on the accessory carriage handles while placing one foot on the cross bar of the cart until the locking pin is in place as shown above.
5. Empty debris tray prior to collapsing/transporting cart.
6. Before collapsing cart, remove the battery pack.
7. Make sure the cutting wheel, die head, and reamer are in place on the assembly carriage.
8. Wrap the foot switch cord around the cord holders and place the foot switch on top sliding into foot switch holder.
9. To **collapse** cart, pull to release the cart latch and push down on the accessory carriage handles until the locking pin is all the way down.

Removing/Installing Die Head

1. Remove battery pack.
2. To **remove**, push the reamer and cutting wheel to open position.
3. Lift the die release lever up to open position.



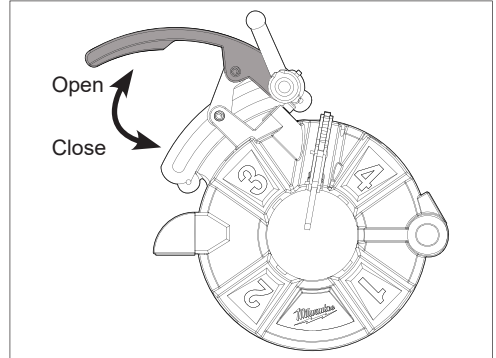
4. Pull out the die head post toward the side of the hammer chucks until the post is completely removed.



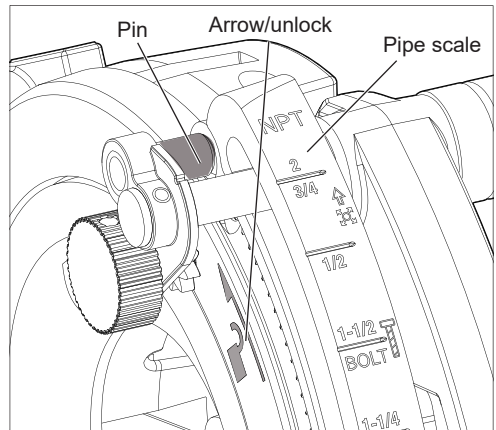
5. To **install**, push the die head post into the slot until the post is not visible.

Removing/Installing Dies

1. Remove battery pack.
2. Remove the die head. Clean the cutting chips off the dies with a wire brush before removing from the die head.



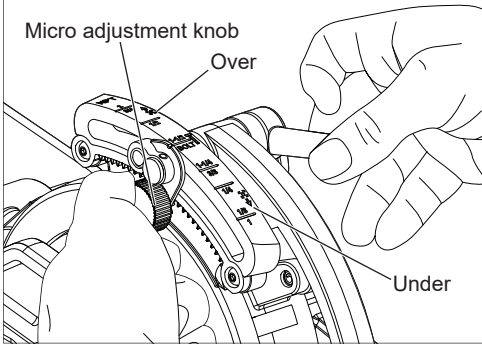
3. To **remove** dies, place the die head with the numbers facing up, open the die release lever.



4. Loosen the clamp lever turning counter clockwise until the pin is no longer engaged with the pipe scale.
5. Slide the pipe scale align the arrow, and unlock.
6. Pull the dies out of the die head.
7. To **install** dies, insert the die with the numbers on the die head facing upward.
NOTE: Ensure dies are going into the correct numbers on the die head. Use dies as a set, do not mix dies with different sets.
8. Push the die in the die head up to the line etched on the die.
9. Re-engage the pin with the pipe scale.
10. Tighten clamp lever turning clockwise.

Adjusting Die Head

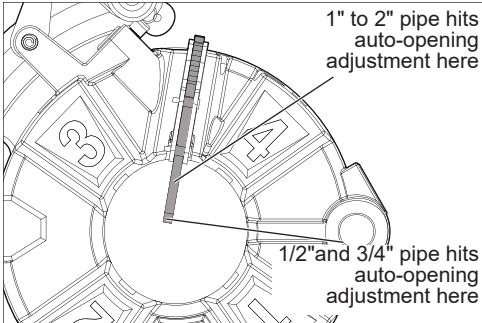
1. Remove battery pack.
2. Loosen clamp lever.
3. Slide the pipe scale to the desired size. **Over** has a larger thread diameter removing more material. **Under** is a smaller thread diameter removing less material.



4. Use the micro adjustment knob to adjust to the desired size.
5. Tighten clamp lever.

Auto-Opening Adjustment

Lift the die release lever up then slide the auto-opening adjuster up or down for desired pipe size for threading.



- 1/2" and 3/4" - End of pipe should hit auto-opening adjustment
- 1" to 2" - End of pipe should hit shank of auto-opening adjustment

Do not use auto-opening adjustment for pipe sizes 1/8", 1/4", 3/8", longer or shorter threads, and bolt threading. Slide the auto-opening adjustment upward away from the pipe.

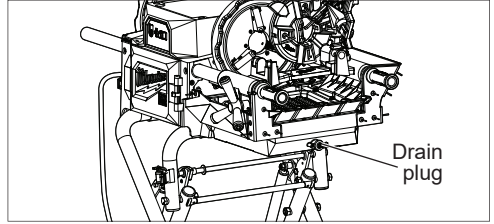
Thread Cutting Oil

⚠WARNING Always remove battery pack before changing or removing accessories.

Check oil level regularly. Add oil as needed into the reservoir hole located under the filter. The oil should drain into the reservoir hole and not pool in the filter tray. Drain the oil every three months and maintain a cleaning schedule every six months. Use high quality threading oil or Cat. No. 48-08-5100 MILWAUKEE Threading Oil to fill the oil reservoir. The oil will keep the pipe properly lubricated. Never run the machine without thread cutting oil. Parts may become hot and cause machine to overheat. If the pump sputters, change the oil and clean out the oil system.

Draining/Filling the Oil Reservoir

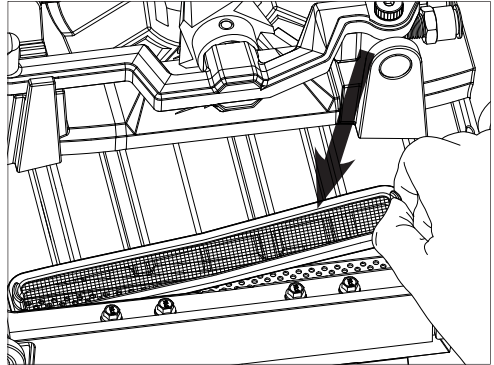
1. Remove battery pack.



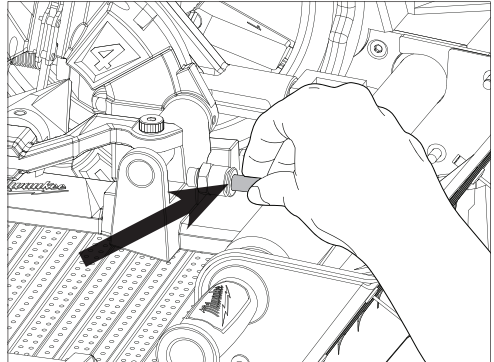
2. To **drain**, pull drain plug off. Let oil drain into a suitable oil container. Dispose of the waste oil in compliance with all applicable regulations. Contact your local waste management authority for more information.
3. Ensure the drain plug is pushed in before filling oil reservoir. To **fill**, pour oil into the oil reservoir located under the debris tray.

Cleaning the Oil System

1. Remove battery pack.
2. Drain the oil.
3. Remove and empty the debris tray. **WARNING!** Do not touch the cutting chips with bare hands immediately after using the machine; they may be hot and sharp. The cutting chips could burn skin.

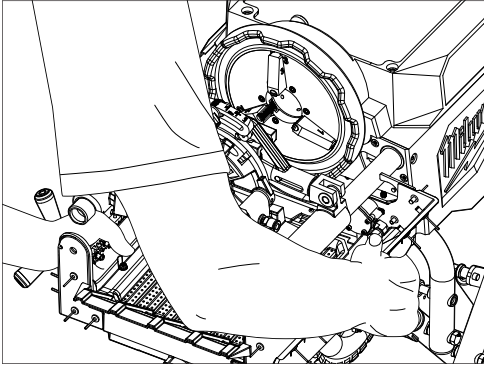


4. Pull out and empty the filter located under debris tray.



5. While pushing the plastic collar of the push-to-connect fitting, pull the oil system tubing away from the fitting.

- Remove accessory carriage handles.



7. Carefully remove the entire oil system.
8. Wipe down with warm water and soap.

Removing/Installing the Cutting Wheel

Remove battery pack. To **remove**, using a hammer and flat punch, remove the pin holding the cutting wheel.

To **install**, insert the cutting wheel in the bushings. Hammer the pin until secure.

Removing/Installing the Reamer

Remove battery pack. To **remove**, take a flat punch and hammer the pin holding the reamer until the pin is fully removed.

To **install**, attach the reamer to the assembly and hammer the pin until secure.

Removing/Installing the Jaw Inserts

Remove battery pack. To **remove**, using a flat-head screwdriver, twist off the jaw insert. Pull the pin and spring.

To **install**, push in spring and pin. Insert the jaw insert and tighten with flat head screwdriver.

Transportation

⚠WARNING Use two people whenever it is necessary to lift or carry the machine. Machine is heavy. Lift with legs, not back. Do not use cart to transport other loads or add additional accessories.

Always unarm the machine before transporting. Ensure the foot pedal cord is properly wrapped and the pedal is stored before transporting. Always clear the area of obstructions before transporting.

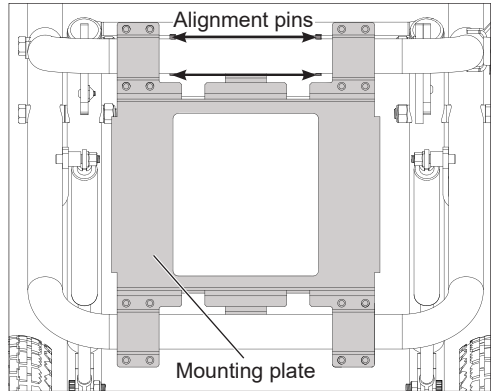
To roll cart from place to place, grasp the cart handles and tilt the machine onto the tires. Push, don't pull, the machine.

Always use a two person lift when necessary. To lift, grasp the accessory carriage handles and tilt the machine back onto the tires. Have a second person grasp the accessory arms. Always maintain a firm footing.

Removing/Installing the Power Drive from the Cart

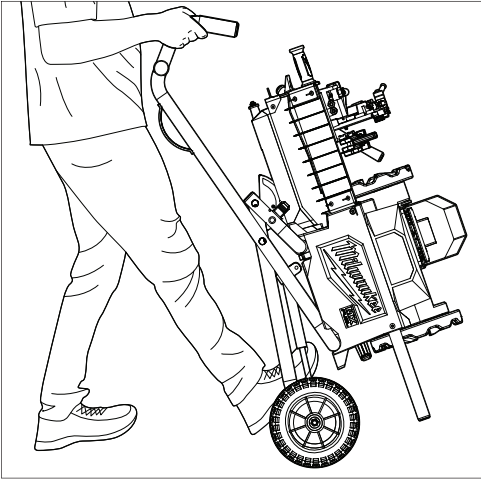
When using another means of lift or device, ensure the lift sling is secure under the accessory carriage handles and accessory arms. Always lift according to sling manufacturer's instructions. Ensure the sling is in good repair and rated for the total weight of tool, any attached accessories, and oil. If in doubt use an experienced professional to lift the machine.

1. Ensure pipe threader's cart is fully set up and remove the battery pack. Remove pipe and drain oil reservoir.
2. To **remove** the power drive, use a device to lift the power drive, secure the lift sling under the accessory carriage handles and accessory arms.
3. Using an impact driver with a 6 mm bit remove eight M8-1.25 screws from the cart front mount brackets.
4. Continue removing the eight screws from the cart rear mount brackets.
5. Lift the power drive away from the cart using a device or two person lift by holding the accessory carriage handles and accessory arms.
6. To **install** the power drive using a device, secure the lift sling on the accessory carriage handles and accessory arms.



7. Place mounting plate on cart. Make sure the alignment pins are towards the center of the cart on the front end of the cart.
8. Lift the power drive onto the cart and align the mounting plate holes with the power drive holes.
9. Tighten the eight M8-1.25 screws on the rear mount brackets to the machine to torque 163 in-lbs.
10. Continue tightening eight screws on front mount brackets to the machine to torque 163 in-lbs.

Vertical Storage Position



1. Remove battery pack.
2. Clean oil system.
3. Collapse cart.
4. Lift up and push pipe threader cart vertically.

ONE-KEY™

To learn more about the ONE-KEY™ functionality for this machine, please refer to the quick reference included with this machine or go to milwaukeetool.com/One-Key. To download the ONE-KEY™ app, visit the App Store or Google Play from your smart device.

ONE-KEY™ Indicator	
Solid Blue	Wireless mode is active and ready to be configured via the ONE-KEY™ app.
Blinking Blue	Machine is actively communicating with the ONE-KEY™ app.
Blinking Red	Machine is in security lockout and can be unlocked by the owner via the ONE-KEY™ app.

OPERATION

WARNING To reduce the risk of injury, always wear proper eye protection marked to comply with ANSI Z87.1.

Do not wear gloves. Gloves may be entangled by the rotating pipe or machine parts leading to personal injury. Wear gloves only when handling hot parts and not when the machine is in operation. Keep sleeves and jackets buttoned while operating the tool. Do not reach across the tool or pipe. Clothing can be caught by the pipe or the tool resulting in entanglement.

Keep hands away from rotating pipe and fittings. Stop the machine before wiping pipe threads or screwing on fittings. Allow the machine to come to a complete stop before touching the pipe. This practice will reduce the risk of entanglement in rotating parts.

Do not use the machine for other purposes such as drilling holes or turning winches. Other uses or modifying this machine for other applications may increase the risk of serious injury. Do not use this machine without the debris tray or filter.

Do not use this machine if the foot switch is broken or missing. The foot switch provides safe control of the machine, such as emergency shutoff in case of entanglement.

Only one person must control the work process tool operation, and foot switch. Additional people involved in the process may result in unintended operation and personal injury.

Arming the Machine

The MX FUEL™ machines must be armed prior to use. Even with the battery pack inserted, the trigger and machine functions will not operate until the machine is armed.

To arm the machine:

1. Insert the battery pack.
2. Press the Arm button. The MX FUEL™ icon will light. The trigger will become armed in 2 seconds.
3. After 15 minutes of inactivity, the machine will enter sleep mode. The MX FUEL™ icon will go off and the trigger and LEDs are un-operational.
4. Press and hold the Arm button for 1 second to reactivate the machine.
5. Press and hold the ARM button for 1 second to unarm (turn off) the machine. The MX FUEL™ icon will go off.

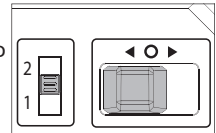
Setting Speed/Direction

Low speed - Push down to select 1.

High speed - Push up to select 2.

Reverse - Push to the left.

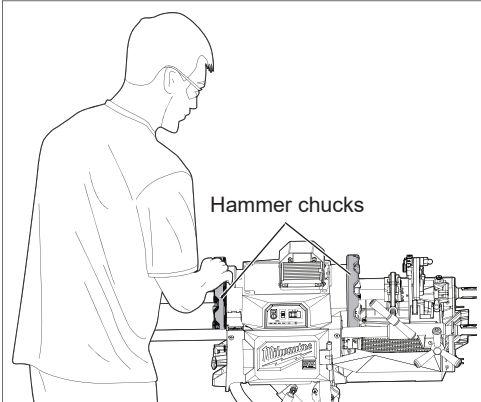
Forward - Push to the right.



Operating the Machine

1. Make sure there is oil in the reservoir and correct size dies are installed. Select the desired threading size on the pipe scale and set auto-opening adjuster, if necessary.
2. Lift the cutter, die head, and reamer to open position to install the pipe.
3. Turn the hammer chucks counter clockwise all the way.

4. Insert pipe into machine from the rear as shown below.



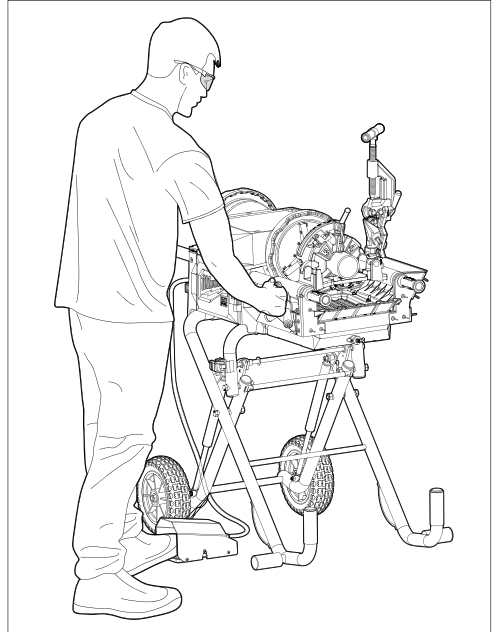
5. Secure the pipe by turning the hammer chucks clockwise until tight.
6. Place cutting wheel on pipe ensuring the cutting wheel assembly does not come into contact with the hammer chucks.
7. Press the arming button to arm system.
8. Select direction and speed.
9. Push foot switch to rotate pipe.
10. To stop the machine, release pedal on the foot switch.

11. Using reamer:

- a. Put the reamer down and use the carriage assembly adjuster to slide reamer closer to pipe .
b. Using the carriage assembly adjuster, slide the reamer away and lift reamer up to open position.

12. Using die head:

- a. Set the die head down into position aligning the height adjustment screw on the carriage assembly.
b. Using the carriage assembly adjuster, slide the die head applying pressure until the threads engage on the pipe.



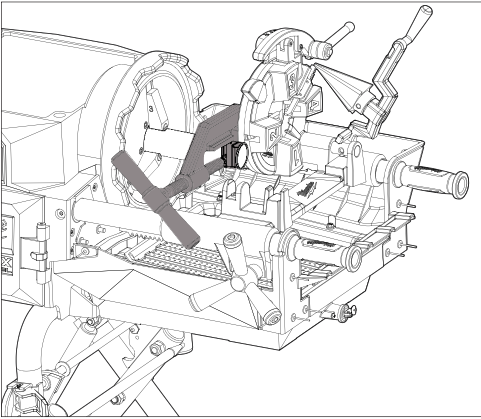
- c. The machine will release the die head from the pipe. Use caution and keep body away from die release lever when dies release. Twist the carriage assembly adjuster removing the die head away from the pipe.

⚠WARNING Do NOT attempt to use carriage assembly adjuster to remove pipe from the die head while threading. Release the pedal on the foot switch and wait until the machine comes to a complete stop to remove pipe from threading.

- d. Lift the die head to open position. Use caution threaded pipe will be sharp.

13. Using cutting wheel:

- a. Turn the cutter wheel handle counter clockwise until cutter bushings can engage with the pipe.



- b. Turn cutting wheel handle clockwise (1/4 turn per pipe revolution) until pipe is cut.
 - c. Once pipe is cut, turn the cutter wheel handle counter clockwise to loosen and lift the cutting wheel to open position.
14. Press and hold the arm button to unarm the machine.
 15. Remove pipe from threader by loosening the hammer chucks.

Overtemperature Indicator

If overtemperature occurs, the overtemperature indicator light will flash. The machine will not operate until the overtemperature indicator light has stopped flashing. Release the pedal on the foot switch and allow the machine to cool down.

Inspecting Threads/Using a Ring Gauge

1. After removing the pipe from the machine, wipe any oil, chips or debris from the thread.
2. Inspect the thread. Threads should be smooth, complete, and in good form. If irregularities such as thread tearing, thin threads, or pipe out-of-roundness are seen, the thread may not seal.
3. To check the size of the thread with a ring gauge, thread the gauge onto the pipe and hand-tighten. The end of the pipe should be flush with the side of the gauge (plus or minus one turn). If thread does not gauge properly, cut off the thread, adjust the die head, and cut another thread. **WARNING!** Using a thread that does not gauge properly can cause leaks.

MAINTENANCE

WARNING To reduce the risk of injury, always unplug the charger and remove the battery pack from the charger or machine before performing any maintenance. Never disassemble the machine, battery pack or charger. Contact a MILWAUKEE service facility for ALL repairs.

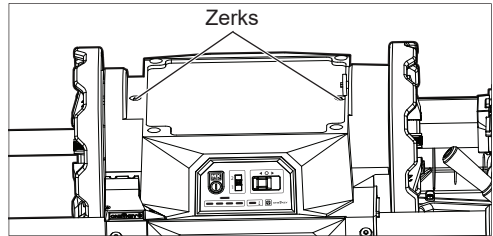
Maintaining Machine

Keep your machine, battery pack and charger in good repair by adopting a regular maintenance program. Inspect your machine for issues such as undue noise, misalignment or binding of moving parts, breakage of parts, or any other condition that may affect the machine operation. Return the machine, battery pack, and charger to a MILWAUKEE service facility for repair. After six months to one year, depending on use, return the machine, battery pack and charger to a MILWAUKEE service facility for inspection.

If the machine does not start or operate at full power with a fully charged battery pack, clean the contacts on the battery pack. If the machine still does not work properly, return the machine, charger and battery pack, to a MILWAUKEE service facility for repairs.

Grease Zerks

Use medium viscosity, synthetic, high temperature grease. Apply five pumps of grease to the zerks once a year.



ONE-KEY™

WARNING Chemical Burn Hazard. This device contains a lithium button/coin cell battery. A new or used battery can cause severe internal burns and lead to death in as little as 2 hours if swallowed or enters the body. Always secure the battery cover. If it does not close securely, stop using the device, remove the batteries, and keep it away from children. If you think batteries may have been swallowed or entered the body, seek immediate medical attention.



Internal Coin Cell Battery

An internal coin cell battery is used to facilitate full ONE-KEY™ functionality.

If the Mode Indicator LED turns off and the tool cannot adjust speed, or if the Bluetooth communication stops working, remove and reinsert the coin cell battery to reset. Replace the battery if the problem continues.

To replace the coin cell battery:

1. Remove the battery pack.
2. Remove the screw(s) and open the battery door located in the battery bay.
3. Remove the old coin cell battery, keep it away from children, and dispose of it properly.
4. Insert the new coin cell battery (3V CR2032), with the positive side facing up.

5. Close the battery door and tighten the screw(s) securely.

⚠WARNING To reduce the risk of personal injury, electric shock and damage, never immerse your machine in liquid or allow a liquid to flow inside it.

Cleaning

Clean dust and debris from any vents. Keep machine clean, dry and free of oil or grease. Use only mild soap and a damp cloth to clean, since certain cleaning agents and solvents are harmful to plastics and other insulated parts. Some of these include gasoline, turpentine, lacquer thinner, paint thinner, chlorinated cleaning solvents, ammonia and household detergents containing ammonia. Never use flammable or combustible solvents around machines.

Cleaning the Battery and Battery Bay

Keep battery connections and surfaces between the machine and battery free of debris and materials. Failure to keep surfaces clean may result in misalignment and/or damage to the battery connection.

Repairs

For repairs, contact the nearest authorized service center.

ACCESSORIES

⚠WARNING Use only recommended accessories. Others may be hazardous.

For a complete listing of accessories, go online to www.milwaukeetool.com or contact a distributor.

WIRELESS COMMUNICATION

For products provided with wireless communication features, including ONE-KEY™:

Pursuant to part 15.21 of the FCC Rules, do not modify this product. Modification could void your authority to operate the product. This device complies with part 15 of the FCC Rules and ISED-Canada's license exempt RSS standards. Operation is subject to the following two conditions: 1) This device may not cause harmful interference, and 2) This device must accept any interference received, including interference that may cause undesired operation.

SERVICE - UNITED STATES

1-800-SAWDUST (1.800.729.3878)

Monday-Friday, 7:00 AM - 6:30 PM CST

or visit www.milwaukeetool.com

Contact Corporate After Sales Service Technical Support with technical, service/repair, or warranty questions.

Email: metproductsupport@milwaukeetool.com

Become a Heavy Duty Club Member at www.milwaukeetool.com to receive important notifications regarding your purchases.

SERVICE - CANADA

Milwaukee Tool (Canada) Ltd

1.877.948.2360

Monday-Friday, 7:00 AM - 4:30 PM CST

or visit www.milwaukeetool.ca

LIMITED WARRANTY USA & CANADA

Every MILWAUKEE MX FUEL™ Product, battery pack, and charger is warranted to the original purchaser from an authorized MILWAUKEE distributor only to be free from defects in material and workmanship. Subject to certain exceptions, MILWAUKEE will repair or replace a MX FUEL™ product, battery pack, or charger which, after examination, is determined by MILWAUKEE to be defective in material or workmanship for a period of two (2) years after the date of purchase. Return of the MX FUEL™ product, battery pack, or charger to a MILWAUKEE factory Service Center location or MILWAUKEE Authorized Service Station, freight prepaid and insured, is required. For the proper shipping procedure of battery packs, contact 1.800.SAWDUST (1.800.729.3878), or go to www.milwaukeetool.com. A copy of the proof of purchase should be included with the return product. This warranty does not apply to damage that MILWAUKEE determines to be from repairs made or attempted by anyone other than MILWAUKEE authorized personnel, misuse, alterations, abuse, normal wear and tear, lack of maintenance, or accidents.

Normal Wear: Many MX FUEL™ products need periodic parts replacement and service to achieve best performance. This warranty does not cover repair when normal use has exhausted the life of a part, including, but not limited to, assist & drive belts, pulleys, blade flanges, vacuum gaskets, tool free handles, set pins, skis, drive couplers, rubber boots, auto feed, stabilize blocks, wheels, carrier wheels, cords, o-rings, seals, bumpers, driver blades, pistons, strikers, lifters, tool holder, and bumper cover washers.

Warranty Registration is not necessary to obtain the applicable warranty on a MX FUEL™ product, battery pack, or charger.

ACCEPTANCE OF THE EXCLUSIVE REPAIR AND REPLACEMENT REMEDIES DESCRIBED HEREIN IS A CONDITION OF THE CONTRACT FOR THE PURCHASE OF EVERY MILWAUKEE PRODUCT. IF YOU DO NOT AGREE TO THIS CONDITION, YOU SHOULD NOT PURCHASE THE PRODUCT. IN NO EVENT SHALL MILWAUKEE BE LIABLE FOR ANY INCIDENTAL, SPECIAL, CONSEQUENTIAL, OR PUNITIVE DAMAGES, OR FOR ANY COSTS, ATTORNEY FEES, EXPENSES, LOSSES OR DELAYS ALLEGED TO BE AS A CONSEQUENCE OF ANY DAMAGE TO, FAILURE OF, OR DEFECT IN ANY PRODUCT INCLUDING, BUT NOT LIMITED TO, ANY CLAIMS FOR LOSS OF PROFITS. SOME STATES DO NOT ALLOW THE EXCLUSION OR LIMITATION OF INCIDENTAL OR CONSEQUENTIAL DAMAGES, SO THE ABOVE LIMITATION OR EXCLUSION MAY NOT APPLY TO YOU. THIS WARRANTY IS EXCLUSIVE AND IN LIEU OF ALL OTHER EXPRESS WARRANTIES, WRITTEN OR ORAL, TO THE EXTENT PERMITTED BY LAW, MILWAUKEE DISCLAIMS ANY IMPLIED WARRANTIES, INCLUDING WITHOUT LIMITATION ANY IMPLIED WARRANTY OF MERCHANTABILITY OR FITNESS FOR A PARTICULAR USE OR PURPOSE. TO THE EXTENT SUCH DISCLAIMER IS NOT PERMITTED BY LAW, SUCH IMPLIED WARRANTIES ARE LIMITED TO THE DURATION OF THE APPLICABLE EXPRESS WARRANTY AS DESCRIBED ABOVE. SOME STATES DO NOT ALLOW LIMITATIONS ON HOW LONG AN IMPLIED WARRANTY LASTS, SO THE ABOVE LIMITATION MAY NOT APPLY TO YOU. THIS WARRANTY GIVES YOU SPECIFIC LEGAL RIGHTS, AND YOU MAY ALSO HAVE OTHER RIGHTS WHICH VARY FROM STATE TO STATE.

This warranty applies to product sold in the U.S.A. and Canada only. Please consult the 'Service Center Search' in the Parts & Service section of MILWAUKEE's website www.milwaukeetool.com or call 1.800.SAWDUST (1.800.729.3878) to locate your nearest service facility for warranty and non-warranty service on a MX FUEL™ product, battery pack or charger.

RÈGLES DE SÉCURITÉ GÉNÉRALES RELATIVES AUX OUTILS ÉLECTRIQUES

⚠ AVERTISSEMENT Lire toutes les consignes de sécurité, consignes, illustrations et spécifications fournies avec cet outil électrique. Ne pas suivre l'ensemble des règles et instructions peut entraîner une électrocution, un incendie ou des blessures graves. **Conserver les règles et les instructions à des fins de référence ultérieure.** Le terme «outil électrique» figurant dans les avertissements ci-dessous renvoie à l'outil électrique à alimentation par le réseau (à cordon) ou par batterie (sans fil).

SÉCURITÉ DU LIEU DE TRAVAIL

- **Veillez à ce que l'aire de travail soit propre et bien éclairée.** Le désordre et le manque de lumière favorisent les accidents.
- **Ne pas utiliser d'outils électriques dans des atmosphères explosives, par exemple en présence de liquides, gaz ou poussières inflammables.** Les outils électriques produisent des étincelles risquant d'enflammer les poussières ou vapeurs.
- **S'assurer que les enfants et les curieux se trouvent à une bonne distance au moment d'utiliser un outil électrique.** Les distractions peuvent causer une perte de contrôle.

SÉCURITÉ ÉLECTRIQUE

- **Les fiches des outils électriques doivent correspondre à la prise secteur utilisée.** Ne jamais modifier la fiche, de quelque façon que ce soit. Ne jamais utiliser d'adaptateurs de fiche avec des outils mis à la terre. Les fiches et prises non modifiées réduisent le risque de choc électrique.
- **Éviter tout contact avec des surfaces mises à la terre comme des tuyaux, des radiateurs, des cuisinières et des réfrigérateurs.** Le risque de choc électrique est accru lorsque le corps est mis à la terre.
- **Ne pas exposer les outils électriques à l'eau ou l'humidité.** La pénétration d'eau dans ces outils accroît le risque de choc électrique.
- **Ne pas maltraiter le cordon d'alimentation.** Ne jamais utiliser le cordon d'alimentation pour transporter l'outil électrique et ne jamais débrancher ce dernier en tirant sur le cordon. Garder le cordon à l'écart de la chaleur, de l'huile, des objets tranchants et des pièces en mouvement. Un cordon endommagé ou emmêlé accroît le risque de choc électrique.
- **Pour les travaux à l'extérieur, utiliser un cordon spécialement conçu à cet effet.** Utiliser un cordon conçu pour l'usage extérieur réduit les risques de choc électrique.
- **Si l'utilisation d'un outil électrique est inévitable dans un endroit humide, utiliser une source d'alimentation munie d'un disjoncteur de fuite de terre.** L'utilisation d'un disjoncteur de fuite de terre réduit le risque de choc électrique.

SÉCURITÉ INDIVIDUELLE

- **Rester attentif, prêter attention au travail et faire preuve de bon sens lors de l'utilisation de tout outil électrique.** Ne pas utiliser cet appareil en cas de fatigue ou sous l'influence de l'alcool, de drogues ou de médicaments. Un moment d'inattention pendant l'utilisation d'un outil électrique peut entraîner des blessures graves.

- **Porter l'équipement de protection individuel requis. Toujours porter une protection oculaire.** Selon les conditions, porter aussi un masque anti-poussières, des bottes de sécurité antidérapantes, un casque protecteur ou une protection auditive afin de réduire les blessures.
- **Empêcher les démarrages accidentels. S'assurer que la gâchette est en position d'arrêt avant de brancher l'outil à une source de courant, d'insérer la batterie, de le ramasser ou de le transporter.** Le fait de transporter un outil électrique en gardant le doigt sur la gâchette ou de mettre sous tension un outil électrique lorsque la gâchette est en position de marche favorise les accidents.
- **Retirer les clés de réglage avant de mettre l'outil en marche.** Une clé laissée sur une pièce rotative de l'outil peut causer des blessures.
- **Ne pas travailler hors de portée. Toujours se tenir bien campé et en équilibre.** Une bonne stabilité procure un meilleur contrôle de l'outil électrique en cas d'imprévu.
- **Porter une tenue appropriée. Ne porter ni vêtements amples, ni bijoux. Garder les cheveux et les vêtements à l'écart des pièces en mouvement.** Les vêtements flottants, les bijoux ou les cheveux longs risquent d'être happés par les pièces en mouvement.
- **Si les outils sont équipés de dispositifs de débosselage, s'assurer qu'ils sont connectés et correctement utilisés.** L'utilisation d'un collecteur de poussière permet de réduire les dangers liés à la poussière.
- **Ne pas laisser la familiarité avec l'outil acquise par une utilisation fréquente vous rendre suffisant et vous amener à ignorer les règles de sécurité.** Une utilisation négligée peut causer une blessure grave en une fraction de seconde.

UTILISATION ET ENTRETIEN DE L'OUTIL ÉLECTRIQUE

- **Ne pas forcer l'outil électrique. Utiliser l'outil électrique approprié pour l'application.** Un outil électrique approprié exécutera le travail mieux et de façon moins dangereuse s'il est utilisé dans les limites prévues.
- **Ne pas utiliser l'outil électrique si le commutateur ne permet pas de le mettre en marche ou de l'arrêter.** Tout outil électrique qui ne peut pas être contrôlé par son commutateur est dangereux et doit être réparé.
- **Débrancher l'outil et/ou retirer le bloc-piles, si possible, avant d'effectuer des réglages, de changer d'accessoire ou de remettre l'outil.** Ces mesures de sécurité préventives réduisent les risques de démarrage accidentel de l'outil.
- **Entreposer l'outil électrique hors de la portée des enfants et interdire à quiconque de l'utiliser si la personne ne connaît pas bien le produit ou les instructions.** Les outils électriques sont dangereux dans les mains d'utilisateurs novices.
- **Entretenir les outils électriques et les accessoires. Vérifier qu'aucune pièce mobile n'est mal alignée ou bloquée, qu'aucune pièce n'est brisée et s'assurer qu'aucun autre problème risque d'affecter le bon fonctionnement de l'outil.** En cas de dommages, faire réparer l'outil avant de l'utiliser. Plusieurs accidents sont causés par des produits mal entretenus.
- **Garder les outils bien affûtés et propres.** Des outils correctement entretenus et dont les tranchants sont bien affûtés risquent moins de se bloquer et sont plus faciles à contrôler.

RÈGLES DE SÉCURITÉ SPÉCIFIQUES POUR FILETEUR DE TUYAUX

• **Utiliser l'outil électrique, les accessoires, les embouts etc. conformément à ces instructions en tenant compte des conditions de travail et de la tâche à effectuer.** L'usage d'un outil électrique pour des applications pour lesquelles il n'est pas conçu peut être dangereux.

• **Garder les poignées et les surfaces de préhension sèches, propres et exemptes d'huile ou de graisse.** Des poignées et des surfaces de préhension glissantes ne permettent pas de manipuler et de contrôler l'outil en toute sécurité en cas de situation imprévue.

UTILISATION ET ENTRETIEN DE LA BATTERIE

• **Pour recharger le bloc-piles, utiliser seulement le chargeur spécifié par le fabricant.** Un chargeur pouvant convenir à un type de bloc-piles peut entraîner un risque d'incendie lorsqu'il est utilisé avec un autre type de bloc-piles.

• **N'utiliser l'outil électrique qu'avec une batterie recommandée.** L'utilisation de tout autre bloc-piles peut créer un risque de blessures et d'incendie.

• **Lorsque le bloc-piles n'est pas utilisé, le tenir éloigné des objets en métal tels que les trombones, les pièces de monnaie, les clés, les clous, les vis ou d'autres petits objets métalliques qui pourraient connecter les bornes.** Le court-circuitage des bornes d'une pile peut entraîner des brûlures ou un incendie.

• **Éviter tout contact avec le liquide pouvant être éjecté de la pile en cas de manutention abusive. En cas de contact accidentel, rincer immédiatement les parties atteintes avec de l'eau. Si le liquide entre en contact avec les yeux, consulter un médecin.** Le liquide éjecté des piles peut causer des irritations ou des brûlures.

• **N'utiliser aucun bloc-piles ni aucun outil ayant été endommagé ou modifié.** Des piles endommagées ou modifiées peuvent adopter un comportement imprévisible pouvant causer un incendie, une explosion ou le risque de blessures.

• **Ne pas exposer le bloc-piles ou l'outil aux flammes ou à une température excessive.** Une exposition aux flammes ou à une température supérieure à 130°C (265°F) peut causer une explosion.

• **Suivre toutes les instructions de charge et ne pas charger le bloc-piles ou l'outil en dehors de la plage de température spécifiée.** Une charge incorrecte ou à des températures en dehors de la plage spécifiée peut endommager la pile et augmenter le risque d'incendie.

ENTRETIEN

• **Les réparations de l'outil électrique doivent être confiées à un technicien qualifié, utilisant exclusivement des pièces identiques à celles d'origine.** Le maintien de la sûreté de l'outil électrique sera ainsi assuré.

• **Ne jamais effectuer la réparation d'un bloc-piles endommagé.** La réparation du bloc-piles doit être réalisée par le fabricant ou les fournisseurs de service agréés uniquement.

• **Maintenir les sols secs et propres, sans matériaux glissants, tels que l'huile.** Les sols glissants favorisent les accidents.

• **Restreindre l'accès ou barrer l'aire pour que les badauds n'entrent pas lorsque la pièce se rallonge au-delà de la machine, ceci pour avoir une jauge minimale d'un mètre (trois pieds) par rapport à la pièce.** Un accès restreint ou une aire barrée autour de la pièce minimisera le risque d'enchevêtrement.

• **Ne pas porter des gants.** Les gants pourront s'enchevêtrer lorsque le tuyau ou les pièces de la machine tournent, ce qui causera des blessures physiques.

• **Ne pas utiliser la machine autrement, comme pour percer des trous ou tourner des manivelles.** D'autres utilisations ou même la modification de cette machine pour effectuer d'autres tâches pourront accroître le risque de blessures physiques.

• **Fixer la machine sur un établi ou un support. Fixer les tuyaux longs et lourds à l'aide de supports pour tuyaux.** Cette méthode évitera que la machine bouscule.

• **Lors de l'utilisation de la machine, se mettre du côté où se trouve le commutateur de commande pour l'utilisateur.** L'utilisation de la machine de ce côté élimine la nécessité d'atteindre hors de portée sur la machine.

• **Garder les mains à l'écart du tuyau et des accessoires tournants. Arrêter la machine avant d'essuyer les pas de tuyaux ou de visser des raccords. Laisser la machine parvenir à s'arrêter complètement avant de toucher le tuyau.** Cette méthode minimisera le risque d'enchevêtrement dans les pièces tournantes.

• **Ne pas utiliser cette machine pour installer ou enlever des raccords.** Cette méthode pourra entraîner la capture, l'enchevêtrement et la perte de contrôle de la machine.

• **Ne pas utiliser la machine sauf si toutes les gardes sont bien installées.** L'exposition des pièces tournantes accroîtra la probabilité d'enchevêtrement.

• **Ne pas utiliser cette machine si le pédalier est cassé ou manquant.** Le pédalier sert à contrôler la machine d'une façon sécuritaire, particulièrement en cas d'arrêt d'urgence par enchevêtrement.

• **Avant chaque utilisation, examiner la fileteuse de tuyaux pour constater qu'aucune pièce n'est pas cassée, usée, manquante, mal alignée ou coincée ou d'autres dommages.** Constater que le pédalier est fixé et fonctionne bien. De telles mesures préventives minimisent le risque de blessures graves causées par des chocs électriques et l'écrasage et contribuent à prévenir les dommages dans la fileteuse.

• **Ne jamais mettre la main dans la machine dès l'aire avant ou arrière du mandrin.** Ceci minimisera le risque d'enchevêtrement.

• **Le processus d'opération de l'outil et le travail ne doit être contrôlé que par une seule personne.** L'implication d'autres personnes dans la tâche pourra entraîner une opération imprévue et des blessures physiques.

- **Tenir les manches et les blousons boutonnés lorsque vous opérez l'outil. Ne pas tendre le bras au-dessus ni de l'outil ni du tuyau.** Les vêtements pourront être attrapés par le tuyau ou bien, l'outil, ce qui entraînera l'enchevêtrement de vos vêtements.
- **Ne jamais démarrer la machine si de l'huile de coupe de filetage n'a pas été appliquée.** Les pièces pourront devenir chaudes et causer la surchauffe de la machine.
- **Ne pas utiliser des matrices qui montrent des signes d'usure, d'émoissage ou des dommages.** Les outils à coupe tranchants exigent moins de couple pour qu'il soit plus facile à les contrôler.
- **Utiliser uniquement des têtes de matrice de MILWAUKEE ou équivalentes.** Il est probable que d'autres têtes de matrice ne conviennent pas dans l'outil, ce qui accroîtra le risque de dommages à l'équipement et de blessures physiques.
- **Ne pas utiliser le chariot pour transporter d'autres choses et ne pas ajouter d'autres accessoires supplémentaires.**
- **Il est possible de se pincer les doigts entre les pattes du chariot. Afin de minimiser le risque de blessures lors de son installation/repliage, garder les doigts à l'écart des aires où les pattes sont fermement déployées.**
- **Risque de brûlure chimique. Gardez la batterie des cellules de hors de la portée des enfants.**

⚠ AVERTISSEMENT Pour réduire le risque de blessures dans les applications qui produisent une quantité considérable de poussière, utilisez une solution d'extraction de poussière conforme à l'OSHA conformément aux instructions d'utilisation de la solution.

- **Toujours faire preuve de bons sens et procéder avec prudence lors de l'utilisation d'outils.** C'est impossible de prévoir toutes les situations dont le résultat est dangereux. Ne pas utiliser cet outil si vous ne comprenez pas ces instructions d'opération ou si vous pensez que le travail dépasse votre capacité ; veuillez contacter Milwaukee Tool ou un professionnel formé pour recevoir plus d'information ou formation.
- **Maintenir en l'état les étiquettes et les plaques d'identification.** Des informations importantes y figurent. Si elles sont illisibles ou manquantes, contacter un centre de services et d'entretien MILWAUKEE pour un remplacement gratuit.

⚠ AVERTISSEMENT Certaines poussières générées par les activités de ponçage, de coupe, de rectification, de perçage et d'autres activités de construction contiennent des substances considérées être la cause de malformations congénitales et de troubles de l'appareil reproducteur. Parmi ces substances figurent :

- le plomb contenu dans les peintures à base de plomb ;
 - la silice cristalline des briques, du ciment et d'autres matériaux de maçonnerie, ainsi que
 - l'arsenic et le chrome des sciages traités chimiquement.
- Les risques encourus par l'opérateur envers ces expositions varient en fonction de la fréquence de ce type de travail. Pour réduire l'exposition à ces substances chimiques, l'opérateur doit : travailler dans une zone bien ventilée et porter l'équipement de sécurité approprié, tel qu'un masque anti-poussière spécialement conçu pour filtrer les particules microscopiques.

PICTOGRAPHIE



Volts



Courant direct



⚠ AVERTISSEMENT

Risque de choc électrique



Lire le manuel d'utilisation



Toujours porter une protection oculaire



Tenir les mains et les vêtements à l'écart des pièces mobiles



Ne pas porter de gants



Soulever à deux personnes



UL Listing Mark pour Canada et États-unis

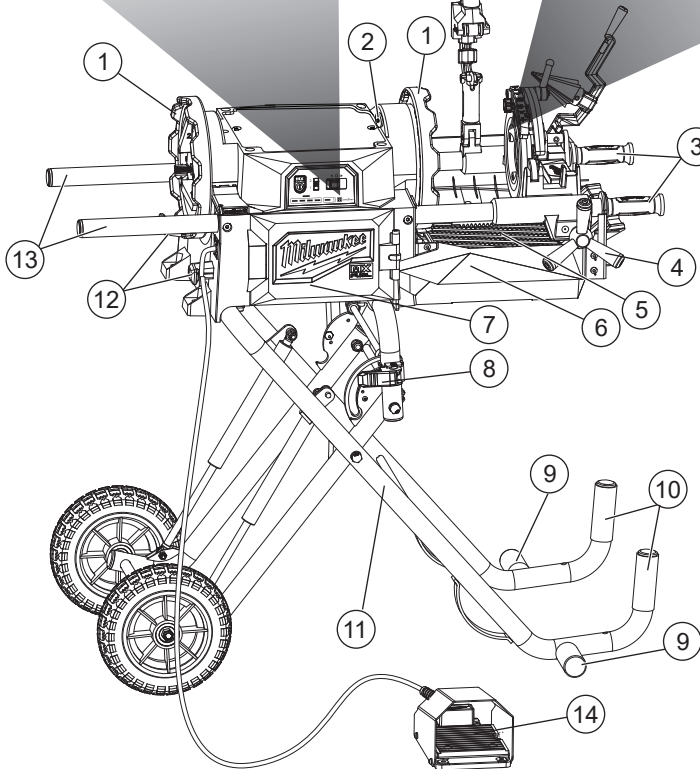
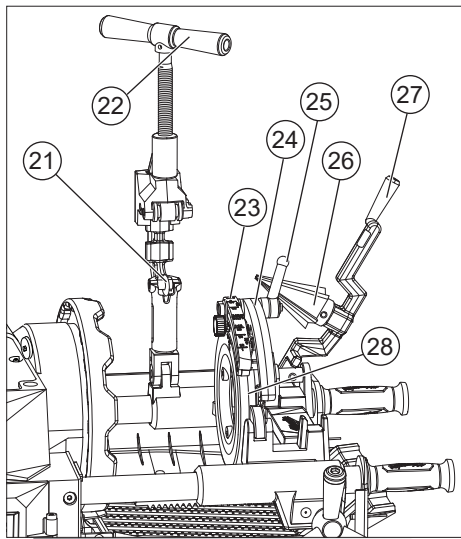
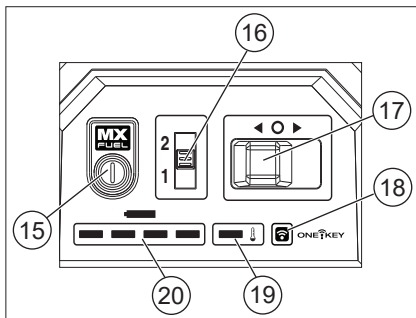
SPÉCIFICATIONS

No de Cat.....	MXF512
Type de batterie	MX FUEL™
Type de chargeur	MX FUEL™
Module/ID de FCC.....	BGM11S/QOQ11
Tours-minute à vide.....	39 / 59
Capacité de filetage.....	3,2 à 50,8 mm (1/8" à 2")
Vitesse de capacité de tuyau 1.....	50,8 mm (2") (max)
Vitesse de capacité de tuyau 2.....	50,8 mm (2") (max)
Matrices compatibles.....	3,2 à 9,5 mm (1/8" à 3/8") 12,7 à 19,1 mm (1/2" à 3/4") 25,4 à 50,8 mm (1" à 2")
Contenance d'huile.....	3,78 L (1 Gal.)
Poids de levage	115 kg (254 lbs.)*
Température ambiante de fonctionnement recommandée	-18°C à 50°C (0°F à 125°F)

* Le poids de levage inclut le poids de l'outil, les accessoires prévus les plus lourds et l'huile. Toujours ajouter le poids du bloc-piles s'il est installé durant le levage.

DESCRIPTION FONCTIONNELLE

1. Mandrins des perceurs
2. Port-pédalier
3. Poignée de transport d'accessoires
4. Régleur d'assemblage de chariot
5. Plateau pour débris
6. Réservoir d'huile
7. Compartiment de pile
8. Loquet de chariot
9. la barre du chariot



10. Poignées de chariot
11. Chariot
12. Port-cordons
13. Bras d'accessoires
14. Pédalier
15. Bouton d'armement
16. Commande de vitesse
17. Commande de sens
18. Avertisseur ONE-KEY™
19. Voyant de surchauffe
20. Indicateur de niveau de charge
21. Meule de coupe
22. Poignée de serrage pour meule de coupe
23. Échelle de tuyaux
24. Levier de verrouillage de matrices
25. Levier de blocage
26. Aléseur
27. Poignée d'aléseur
28. Tête de matrice

MONTAGE DE L'OUTIL

AVERTISSEMENT Ne recharger la batterie qu'avec le chargeur spécifié. Pour les instructions de charge spécifiques, lire le manuel d'utilisation fourni avec le chargeur et les batteries.

Enlèvement/insertion de la batterie

Pour retirer le bloc-piles, pousser le verrou de loquet de bloc-piles vers un côté et serrer le levier du loquet. Tirer du bloc-piles pour le faire sortir de machine.

AVERTISSEMENT Il faut toujours retirer la batterie et verrouiller la détente de l'outil avant de changer ou d'enlever les accessoires.

Pour insérer la batterie, la glisser dans le corps de machine. S'assurer qu'elle est fixée solidement.

AVERTISSEMENT L'emploi d'accessoires autres que ceux qui sont expressément recommandés pour cet outil peut comporter des risques.

Ne pas utiliser cette machine si le pédalier est cassé ou manquant. Le pédalier sert à contrôler la machine d'une façon sécuritaire, particulièrement en cas d'arrêt d'urgence par enchevêtrement.

Il est possible de se pincer les doigts entre les pattes du chariot. Afin de minimiser le risque de blessures lors de son installation/repliage, garder les doigts à l'écart des aires où les pattes sont fermement déployées.

Indicateur de charge de la batterie

Lors de l'armement de machine, l'indicateur de charge de la batterie affichera l'autonomie restante du bloc-piles. L'indicateur de charge de la batterie montre les mêmes renseignements que la jauge de charge sur le bloc-piles. Un témoin sur l'indicateur de charge de la pile clignotera s'il reste moins de 10% de la charge. Lorsque la batterie n'a plus de charge, l'indicateur de charge clignotera 8 fois. Charger le bloc-piles.

10-32 %

32-55 %

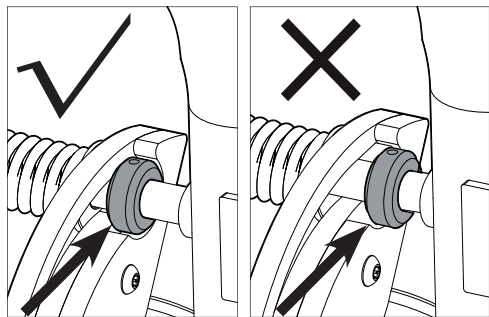
55-77 %

77-100 %

Moins de 10% si la première lumière clignote 4 fois

Installation / repliage de chariot

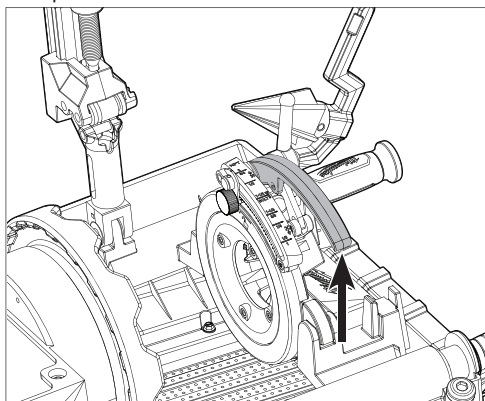
1. S'assurer que l'aire est sèche, stable et nivelée pour fixer la fileteuse.
2. Retirer le bloc-piles.
3. Pour installer le chariot, déposer doucement le chariot et ouvrir le loquet de chariot.



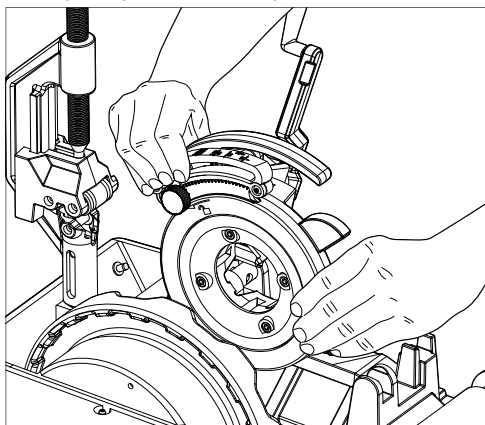
4. Tirer sur les poignées de transport d'accessoires vers le haut lorsque vous mettez un pied sur la barre du chariot jusqu'à ce que la broche soit en place, comme illustré ci-dessus.
5. Vider le plateau pour débris avant de transporter/ de replier le chariot.
6. Avant de replier le chariot, retirer le bloc-piles.
7. S'assurer que le couteau, la tête de matrice et l'alésure sont en place sur le chariot de l'assemblage.
8. Mettre le cordon du pédalier autour des port-cordons et mettre le pédalier au-dessus, tout en le glissant dans le port-pédalier.
9. Pour replier le chariot, tirer sur le loquet de chariot pour le libérer et pousser les poignées de transport d'accessoires de l'assemblage vers le bas jusqu'à ce que la goupille de verrouillage soit tout au fond.

Enlèvement / installation de la tête de matrice

1. Retirer le bloc-piles.
2. Pour l'enlever, pousser l'alésure et la meule de coupe vers la position d'ouverture.
3. Soulever le levier de verrouillage de matrices, vers la position d'ouverture.



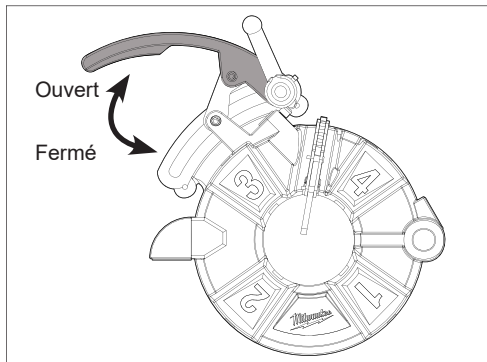
4. Tirer sur le poteau pour têtes de matrices vers le côté où sont les mandrins des perceurs jusqu'à ce que le poteau soit complètement retiré.



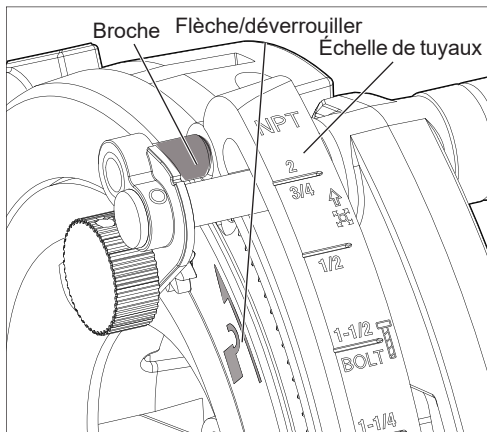
5. Pour l'installer, pousser le poteau pour têtes de matrice dans la fente jusqu'à ce que le poteau ne soit plus visible.

Enlèvement / installations des matrices

1. Retirer le bloc-piles.
2. Retirer la tête de matrice. Retirer les copeaux des coupes des matrices à l'aide d'une brosse métallique avant de retirer ces dernières de la tête de matrice.



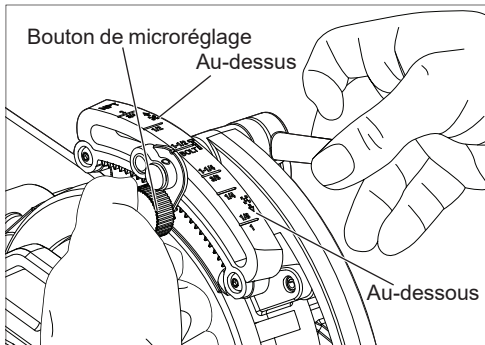
3. Pour **enlever** les matrices, mettre la tête de matrice comportant les numéros vers le haut et ouvrir le levier de verrouillage de matrices.



4. Desserrer le levier de blocage en le tournant à gauche jusqu'à ce que la broche ne soit plus engagée dans l'échelle de tuyaux.
 5. Glisser l'échelle de tuyaux en alignant la flèche et déverrouiller.
 6. Tirer sur les matrices pour les sortir de la tête de matrice.
 7. Pour **installer** les matrices, insérer la matrice comportant les nombres sur la tête de matrice vers le haut.
- REMARQUE :** S'assurer que les matrices conviennent aux numéros corrects dans la tête de matrice. Utiliser les matrices en tant que jeu ; ne pas mélanger les matrices avec d'autres jeux différents.
8. Pousser la matrice dans la tête de matrice jusqu'à la ligne gravée dans la matrice.
 9. Rengager la broche avec l'échelle de tuyaux.
 10. Serrer le levier de blocage en le tournant à droite.

Ajustage de la tête de matrice

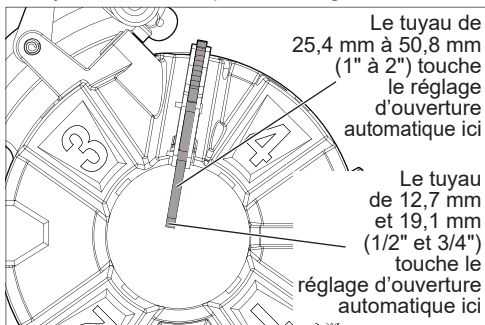
1. Retirer le bloc-piles.
2. Desserrer le levier de blocage.
3. Glisser l'échelle de tuyaux vers la taille désirée. Au-dessus a un diamètre de pas plus large pour enlever plus de matériaux. Au-dessous a un diamètre de pas plus petit pour enlever moins de matériaux.



4. Utiliser le bouton de microréglage pour ajuster cette pièce à la taille désirée.
5. Serrer le levier de blocage.

Réglage d'ouverture automatique

Soulever le levier de verrouillage de matrices et ensuite, glisser le réglage d'ouverture automatique vers le haut ou vers le bas pour obtenir la taille désirée de tuyaux nécessaire pour le filetage.



- 12,7 mm (1/2") et 19,1 mm (3/4") : Le bout du tuyau doit toucher le réglage d'ouverture automatique
- 25,4 mm à 50,8 mm (1" à 2") : Le bout du tuyau doit toucher la tige du réglage d'ouverture automatique

Ne pas utiliser le réglage d'ouverture automatique pour les tuyaux dont les tailles sont de 3,2 mm (1/8"), de 6,4 mm (1/4"), de 9,5 mm (3/8"), dont les pas sont plus longs ou plus courts ou pour le filetage de boulons. Glisser le réglage d'ouverture automatique vers le haut, loin du tuyau.

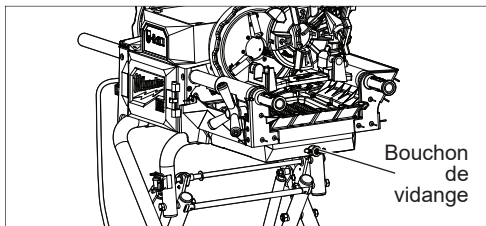
Huile de coupe de filetage

AVERTISSEMENT Toujours retirer le bloc-piles avant de changer ou d'enlever les accessoires.

Vérifier fréquemment le niveau d'huile. Ajouter de l'huile au besoin dans le trou du réservoir qui se trouve au-dessous du filtre. L'huile ne devra pas rester dans le plateau du filtre, il doit plutôt couler dans l'orifice du réservoir. Drainer l'huile tous les trois mois et suivre un programme de nettoyage tous les six mois. Utiliser de l'huile de filetage haute qualité ou l'huile de filetage MILWAUKEE No de Cat. 48-08-5100 pour remplir le réservoir d'huile. L'huile gardera le tuyau bien lubrifié. Ne jamais démarrer la machine si de l'huile de coupe de filetage n'a pas été appliquée. Les pièces pourront devenir chaudes et causer la surchauffe de la machine. Si la pompe commence à crachoter, changer l'huile et purger le système de lubrification.

Vidange / remplissage du réservoir d'huile

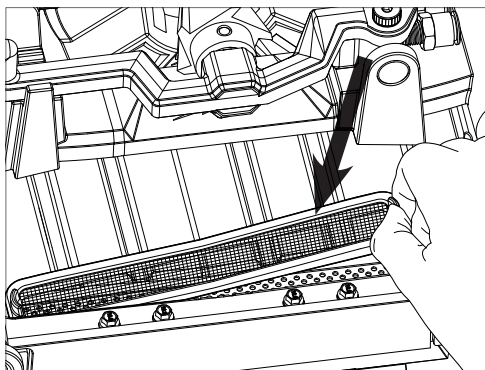
1. Retirer le bloc-piles.



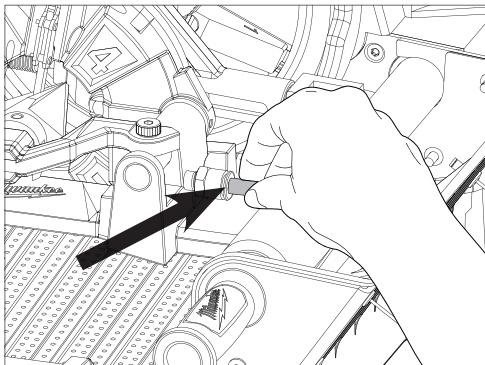
2. Pour le **drainer**, tirer sur le bouchon de vidange pour le retirer. Vidanger l'huile dans un conteneur d'huile approprié. Se débarrasser de l'huile usée conforme à toutes les réglementations correspondantes. Pour de plus amples renseignements, contacter l'autorité locale en matière de gestion des déchets.
3. S'assurer que le bouchon vidange est poussé à l'intérieur avant de remplir le réservoir d'huile. Pour le **remplir**, verser de l'huile dans le réservoir d'huile se trouvant au-dessous du plateau pour débris.

Nettoyage du système de lubrification

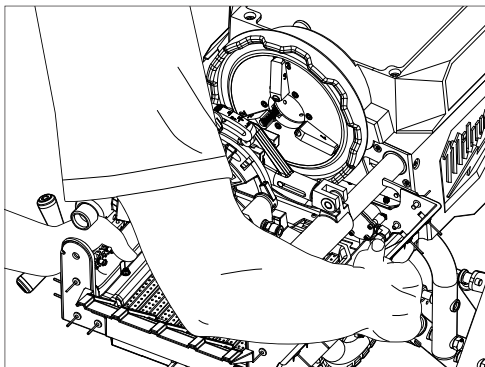
1. Retirer le bloc-piles.
 2. Vidanger l'huile.
 3. Retirer le plateau pour débris et le vidanger.
- AVERTISSEMENT !** Ne pas toucher les éclats à la main nue après avoir juste utilisé la machine, car ils seront chauds et tranchants. Les éclats pourront brûler la peau.



4. Tirer sur le filtre étant au-dessus du plateau pour débris pour le sortir et ensuite, le vidanger.



5. Lorsque le collier en plastique de l'accessoire de raccord instantané est poussé, tirer sur le tube du système de lubrification pour le séparer de l'accessoire.
6. Retirer les poignées de transport d'accessoires.



7. Retirer doucement tout le système de lubrification.
8. Essuyer vers le bas à l'eau tiède et au savon.

Enlèvement / installation de la meule de coupe

Retirer le bloc-piles. Pour l'enlever, à l'aide d'un marteau et d'une pointe, retirer la broche qui soutient la meule de coupe.

Pour l'installer, insérer la meule de coupe dans les garnitures. Marteler la broche jusqu'à ce qu'elle soit fixée.

Enlèvement / installation de l'aléueur

Retirer le bloc-piles. Pour l'enlever, prendre une pointe plate et marteler la broche fixant l'aléueur jusqu'à enlever complètement la broche.

Pour l'installer, attacher l'aléueur à l'assemblage et marteler la broche jusqu'à ce qu'elle soit fixée.

Enlèvement / installation des filets de mâchoire

Retirer le bloc-piles. Pour l'enlever, utiliser un tournevis à tête plate pour faire tourner le filet de mâchoire. Tirer sur la broche et le ressort.

Pour l'installer, pousser le ressort et la broche. Insérer le filet de mâchoire et le serrer à l'aide d'un tournevis à tête plate.

Transportation

AVERTISSEMENT Il est possible d'effectuer une opération à deux personnes lorsqu'il est nécessaire de lever ou de transporter la machine. La machine est lourde. Soulever en utilisant les jambes, pas le dos.

Ne pas utiliser le chariot pour transporter d'autres choses et ne pas ajouter d'autres accessoires supplémentaires.

Toujours désarmer la machine avant de sa transportation.

S'assurer que le cordon de la pédale est bien enroulé et la pédale est rangée avant de le transporter.

Toujours s'assurer d'avoir un chemin de passage sans obstructions avant de commencer à amener l'outil.

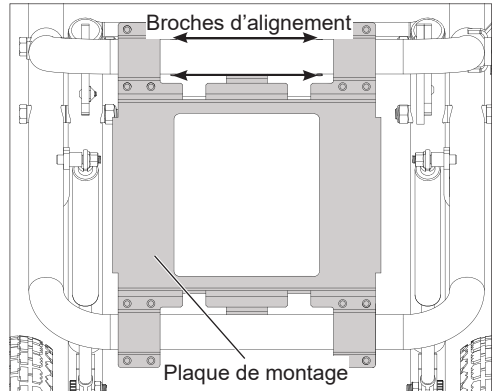
Pour pousser le chariot d'un endroit vers un autre, tenir par la poignée de chariot et incliner la machine vers l'arrière, sur les roulettes. Pousser la machine, ne pas la tirer.

Toujours soulever à deux personnes, quand nécessaire. Pour la soulever, tenir les poignées de transport d'accessoires et incliner la machine sur les roulettes. Demander à l'autre personne de tenir les bras de rainurage de rouleau. Toujours se tenir bien campé.

Enlèvement / installation de l'unité de motorisation du chariot

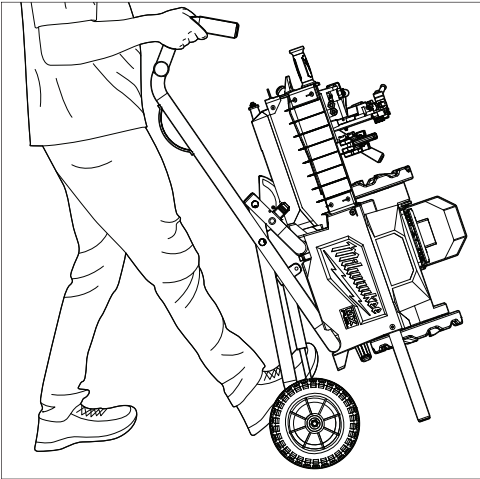
Lors de l'utilisation d'autres moyens ou appareils de levage, s'assurer que l'élingue de levage est fixée sous les poignées de transport d'accessoires et les bras d'accessoires. Toujours soulever selon les instructions du fabricant de l'élingue. S'assurer que l'élingue est en bon état et conforme au poids total nominal de l'outil, les accessoires y attachés et l'huile. En cas de doute, confier le levage de la machine à un professionnel expérimenté.

1. S'assurer que le chariot de la fileteuse de tuyaux est bien installé et retirer le bloc-piles. Retirer le tuyau et vidanger le réservoir d'huile.
2. Pour retirer l'unité de motorisation, à l'aide d'un appareil servant à soulever l'unité de motorisation, fixer l'élingue de levage par dessous les poignées de transport d'accessoires et les bras d'accessoires.
3. Utiliser un tournevis à percussion comportant une pointe de 6 mm pour retirer les huit vis M8-1,25 des supports de montage avant du chariot.
4. Continuer à retirer les huit vis des supports de montage arrière du chariot.
5. Soulever l'unité de motorisation pour la sortir du chariot à l'aide d'un appareil, ou bien effectuer un levage à deux personnes tout en tenant les poignées de transport d'accessoires et les bras d'accessoires.
6. Pour installer l'unité de motorisation, fixer l'élingue de levage sur les poignées de transport d'accessoires et les bras d'accessoires lors de l'utilisation d'un appareil pour soulever l'unité de motorisation.



7. Mettre la plaque de montage sur le chariot. S'assurer que les broches d'alignement se dirigent vers le centre du chariot du côté avant du chariot.
8. Soulever l'unité de motorisation sur le chariot et aligner les orifices dans la plaque de montage avec ceux dans l'unité de motorisation.
9. Serrer les huit vis M8-1,25 sur les supports arrière de montage à la machine à un couple de 18,4 N-m (163 in-lbs.).
10. Continuer à serrer les huit vis dans les supports avant de montage à la machine à un couple de 18,4 N-m (163 in-lbs.).

Position de rangement en verticale



1. Retirer le bloc-piles.
2. Nettoyer le système de lubrification.
3. Replier le chariot.
4. Soulever le chariot de la fileteuse de tuyaux et le pousser en verticale.

ONE-KEY™

Pour en apprendre plus long sur la fonctionnalité ONE-KEY™ de cet machine, veuillez consulter la référence rapide fourni incluse avec ce produit ou visitez le milwaukeeetool.com/One-Key. Pour télécharger l'application ONE-KEY™, visitez l'App Store d'Apple ou Google Play à l'aide de votre appareil intelligent.

Indicateur ONE-KEY™	
Bleu uni	Le mode sans fil est engagé et prêt pour le configurer à l'aide de l'appli ONE-KEY™.
Bleu clignotant	Machine établit une communication active avec l'appli ONE-KEY™.
Rouge clignotant	Machine a un blocage sécuritaire et ne pourra être débloqué que par le propriétaire à l'aide de l'appli ONE-KEY™.

MANIEMENT

▲ AVERTISSEMENT Afin de minimiser le risque de blessures, toujours porter la protection oculaire appropriée certifiée conforme à la norme ANSI Z87.1.

Ne pas porter des gants. Les gants pourront s'enchevêtrer lorsque le tuyau ou les pièces de la machine tournent, ce qui causera des blessures physiques. Ne pas porter des gants sauf si des pièces chaudes seront traitées, pas lorsque la machine fonctionne.

Tenir les manches et les blousons boutonnés lorsque vous opérez l'outil. Ne pas tendre le bras au-dessus ni de l'outil ni du tuyau. Les vêtements pourront être attrapés par le tuyau ou bien, l'outil, ce qui entraînera l'enchevêtrement de vos vêtements.

Garder les mains à l'écart du tuyau et des accessoires tournants. Arrêter la machine avant d'essuyer les pas de tuyaux ou de visser des raccords. Laisser la machine parvenir à s'arrêter complètement avant de toucher le tuyau. Cette méthode minimisera le risque d'enchevêtrement dans les pièces tournantes.

Ne pas utiliser la machine autrement, comme pour percer des trous ou tourner des manivelles. D'autres utilisations ou même la modification de cette machine pour effectuer d'autres tâches pourront accroître le risque de blessures physiques. Ne pas utiliser cette machine si le plateau pour débris et le filtre ne sont pas installés.

Ne pas utiliser cette machine si le pédalier est cassé ou manquant. Le pédalier sert à contrôler la machine d'une façon sécuritaire, particulièrement en cas d'arrêt d'urgence par enchevêtrement.

Le processus d'opération de l'outil et le travail ne doit être contrôlé que par une seule personne. L'implication d'autres personnes dans la tâche pourra entraîner une opération imprévue et des blessures physiques.

Assemblage de machine

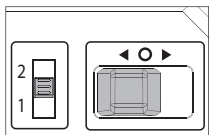
Les machines MX Fuel™ devront être armés avant leur utilisation. Même que le bloc-piles soit inséré, les fonctions de la gâchette et machine ne fonctionnera pas jusqu'à ce que machine soit armé.

Pour armer machine :

1. Insérer le bloc-piles.
2. Appuyez sur le bouton Bras. L'icône MX FUEL™ s'allume. La gâchette s'armera en 2 secondes.
3. Après 15 minutes d'inactivité, machine entrera en mode de veille. L'icône MX FUEL™ s'éteindra et la gâchette et les voyants DEL seront non opérationnels.
4. Appuyer et tenir enfoncé le bouton d'armement pendant 1 seconde pour réactiver machine.
5. Appuyer et tenir enfoncé le bouton d'armement pendant 1 seconde pour désarmer (éteindre) machine. L'icône MX FUEL™ s'éteindra.

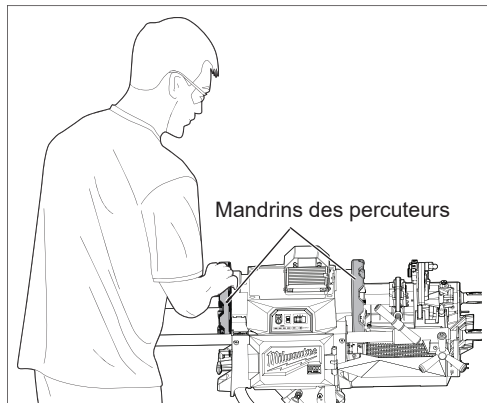
Réglage de vitesse / sens

Faible vitesse : Pousser vers le bas pour sélectionner
Haute vitesse : Pousser vers le haut pour sélectionner 2.
Marche arrière : Pousser à gauche.
Marche avant : Pousser à droite.



Utilisation de la machine

1. S'assurer qu'il y a de l'huile dans le réservoir et que les matrices installées sont de la taille correcte. Sélectionner la taille désirée de filetage dans l'échelle de tuyaux et ajuster le régleur d'ouverture automatique au besoin.
2. Soulever le couteau, la tête de matrice et l'alésoir dans la position d'ouverture pour installer le tuyau.
3. Tourner les mandrins des perceurs tout à gauche.
4. Insérer le tuyau dans la machine dès la partie arrière, comme illustré ci-dessous.



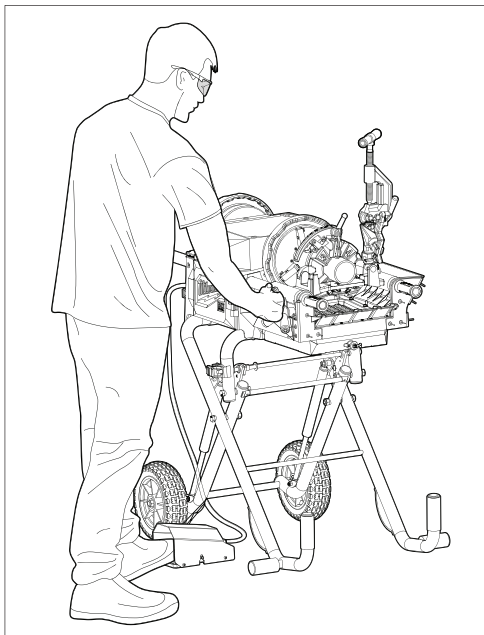
5. Fixer le tuyau en tournant les mandrins des perceurs à droite jusqu'à ce qu'il soit bien serré.
6. Mettre la meule de coupe dans le tuyau, tout en s'assurant que l'assemblage de la meule de coupe n'entre pas en contact avec les mandrins des perceurs.
7. Appuyer sur la touche d'armement pour armer le système.
8. Sélectionner le sens et la vitesse.
9. Écraser le pédalier pour faire tourner le tuyau.
10. Pour arrêter la machine, relâcher la pédale du pédalier.

11. Utilisation de l'alésoir :

- a. Déposer l'alésoir et utiliser la poignée de transport d'accessoires pour glisser l'alésoir près du tuyau.
- b. À l'aide du régleur d'assemblage de chariot, glisser l'alésoir pour le séparer et soulever l'alésoir vers la position d'ouverture.

12. Utilisation d'une tête de matrice :

- a. Déposer la tête de matrice en position, tout en alignant la vis de réglage de hauteur dans l'assemblage du chariot.
- b. À l'aide du régleur d'assemblage de chariot, glisser la tête de matrice tout en exerçant de la pression jusqu'à ce que les pas s'engagent dans le tuyau.

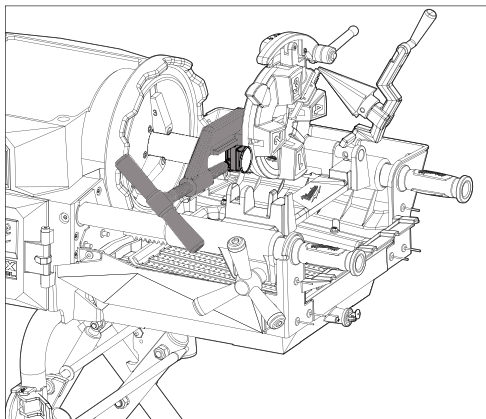


⚠ AVERTISSEMENT NE PAS tenter d'utiliser la poignée de transport d'accessoires pour retirer le tuyau de la tête de matrice durant le filetage. Relâcher la pédale du pédalier et attendre jusqu'à ce que la machine parvienne à s'arrêter complètement, ceci pour retirer le tuyau du filetage.

- d. Soulever la tête de matrice vers la position d'ouverture. Agir prudemment, car le tuyau fileté sera tranchant.

13. Utilisation de la meule de coupe :

- a. Tourner la poignée de la meule de coupe à gauche jusqu'à ce que les garnitures du couteau puissent entamer le tuyau.



- b. Tourner la poignée de la meule de coupe à droite (1/4 de tour par tour de tuyau) jusqu'à couper le tuyau.
- c. Après avoir coupé le tuyau, tourner la poignée de la meule de coupe à gauche pour desserrer la meule de coupe et la soulever vers la position d'ouverture.

14. Appuyer, sans relâcher, la touche d'armement pour désarmer la machine.
15. Retirer le tuyau de la fileteuse en desserrant les mandrins des perceurs.

Avertisseur de surchauffe

Si de la surchauffe survient, le témoin dans l'avertisseur de surchauffe clignotera. La machine ne fonctionnera pas jusqu'à ce que le témoin dans l'avertisseur de surchauffe cesse de clignoter. Relâcher la pédale dans le pédalier et laisser refroidir l'outil.

Inspection de filets/utilisation d'une bague étalon

1. Après avoir retiré le tuyau de la machine, essuyer l'huile, les éclats et les débris dans le filet.
 2. Inspecter le filet. Les filets devront être lisses, complets et en bon état. S'il y a des irrégularités, telles que des déchirures dans le filet, un filetage mince ou un tuyau ayant une rotondité mal achevée, le filet n'aura pas une étanchéité correcte.
 3. Pour vérifier la taille du filet à l'aide d'une bague étalon, enfiler l'étalon sur le tuyau et le serrer à la main. L'extrême du tuyau devra être à ras bord du côté de l'étalon (plus ou moins un tour). Si le filet n'a pas un étalon correct, le couper, ajuster la tête de matrice et en couper un autre.
- AVERTISSEMENT !** Utiliser un filet ayant un étalon incorrect pourra entraîner des filtrations.

ENTRETIEN

▲ AVERTISSEMENT Pour minimiser les risques de blessures corporelles, débranchez le chargeur et retirez la batterie du chargeur ou de machine avant d'y effectuer des travaux d'entretien. Ne démontez jamais machine, la batterie ou le chargeur. Pour toute réparation, consultez un centre de service MILWAUKEE agréé.

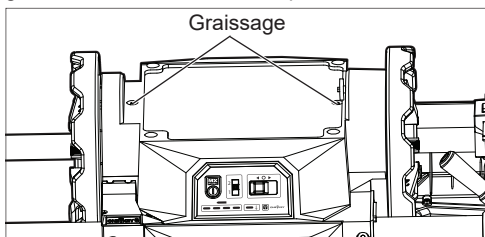
Entretien de machine

Gardez machine en bon état en adoptant un programme d'entretien ponctuel. Inspectez votre machine pour des questions telles que le bruit excessif, de grippage des pièces mobiles, de pièces cassées ou toute autre condition qui peut affecter le fonctionnement de machine. Retournez votre machine à un centre de service MILWAUKEE agréé pour obtenir le service. Après une période pouvant aller de 6 mois à un an, selon l'usage, retournez votre machine à un centre de service MILWAUKEE agréé pour d'inspection.

Si machine ne démarre pas ou ne fonctionne pas à pleine puissance alors qu'il est branché sur une batterie complètement chargée, nettoyez les points de contact entre la batterie et machine. Si machine ne fonctionne toujours pas correctement, renvoyez machine, le chargeur et la batterie à un centre de service MILWAUKEE agréé.

Embouts de graissage

Utilisez de la graisse synthétique à haute température à viscosité moyenne. Appliquez cinq pompages de graisse aux embouts une fois par an.



ONE-KEY™

▲ AVERTISSEMENT Risque de brûlure chimique.

Ce dispositif contient une pile bouton au lithium. Une pile neuve ou usée peut causer des brûlures internes graves entraînant la mort en seulement 2 heures si avalée ou entrée dans le corps. Toujours fixer le couvercle du compartiment des piles. Si le couvercle ne se ferme pas bien, arrêtez d'utiliser le dispositif, retirez les piles et les garder hors de la portée des enfants. Si vous soupçonnez que les piles ont été avalées ou entrées dans le corps, consultez immédiatement un médecin.



Pile bouton interne

Une pile bouton interne est utilisée pour faciliter la fonctionnalité ONE-KEY™ complète. Si la LED de l'indicateur de mode s'éteint et que machine ne peut pas ajuster la vitesse, ou si la communication Bluetooth cesse de fonctionner, retirez et réinsérez la batterie de la pile à pièces pour la réinitialiser. Remplacez la batterie si le problème persiste.

Pour remplacer la pile bouton :

1. Retirer le bloc-piles.
2. Retirer les vis et ouvrir la porte du compartiment de pile.
3. Retirer la vieille pile bouton, la tenir hors de la portée des enfants et se débarrasser d'elle comme il faut.
4. Mettre la nouvelle pile bouton (3V CR2032), en mettant le pôle positif vers le haut.
5. Fermer la porte du compartiment de la pile et serrer la vis fermement.

⚠ AVERTISSEMENT Pour minimiser les risques de blessures ou de dommages à l'outil, n'immergez jamais machine, la batterie ou le chargeur et ne laissez pas de liquide s'y infiltrer.

Nettoyage

Débarrassez les tous événements des débris et de la poussière. Gardez les machine propres, à sec et exemptes d'huile ou de graisse. Le nettoyage doit se faire avec un linge humide et un savon doux. Certains nettoyants tels l'essence, la térébenthine, les diluants à laque ou à peinture, les solvants chlorés, l'ammoniaque et les détergents d'usage domestique qui en contiennent pourraient détériorer le plastique et l'isolation des pièces. Ne laissez jamais de solvants inflammables ou combustibles auprès des machines.

Nettoyage du bloc-piles et le compartiment de piles

Maintenir les connexions et les surfaces du bloc-piles qui se trouvent entre machine et la pile exempt de débris ainsi que de matériaux.

Ne pas maintenir les surfaces propres pourra entraîner le désalignement de la connexion du bloc-piles ou bien, endommager la connexion de la pile tout entière.

Réparations

Pour les réparations, contactez au centre de service autorisé le plus proche.

ACCESOIRES

⚠ AVERTISSEMENT L'utilisation d'autres accessoires que ceux qui sont spécifiquement recommandés pour cet outil peut comporter des risques.

Pour une liste complète des accessoires, visiter le site internet www.milwaukeetool.com ou contactez un distributeur.

COMMUNICATION SANS FIL

Pour les produits comportant des fonctions de communication sans fil, ONE-KEY™ y compris :

Conformément à la part 15.21 du Règlement de la FCC, ne pas modifier ce produit-ci. Une telle modification pourra annuler votre autorisation à utiliser le produit. Cet appareil est conforme à la part 15 du Règlement de la FCC et les normes RSS d'exemption de licence de l'ISED-Canada. Son fonctionnement est soumis aux conditions suivantes : 1) Cet appareil ne doit produire aucun brouillage préjudiciable ; et 2) cet appareil doit fonctionner en dépit de tout brouillage capté, y compris le brouillage pouvant mener à un fonctionnement non désiré

SERVICE - CANADA

Milwaukee Tool (Canada) Ltd
1.877.948.2360

Monday-Friday, 7:00 AM - 4:30 PM CST
www.milwaukeetool.ca

GARANTIE LIMITÉE - AUX ÉTATS-UNIS ET AU CANADA

Tout produit, bloc-piles et chargeur MX FUEL™ MILWAUKEE sont garantis à l'acheteur d'origine par un distributeur agréé MILWAUKEE d'être exempts uniquement de vice de matériau et de fabrication. Sous réserve de certaines exceptions, MILWAUKEE réparera ou remplacera tout produit, bloc-piles ou chargeur MX FUEL™ qui, après examen, seront confirmés par MILWAUKEE d'être affectés d'un vice de matériau ou de fabrication pour une période de deux (2) ans après la date d'achat. Retourner le produit, le bloc-piles ou le chargeur MX FUEL™ à un centre de service en usine MILWAUKEE ou un poste d'entretien agréé MILWAUKEE, en port préparé et assuré. Pour en savoir plus sur le processus de livraison du bloc-piles, veuillez composer le 1.800.SAWDUST (1.800.729.3878) ou visiter le site www.milwaukeetool.com. Une copie de la preuve d'achat doit être présentée lors du retour du produit. Cette garantie ne couvre pas les dommages que MILWAUKEE détermine d'être causés par des réparations ou des tentatives de réparation par quiconque d'autre que le personnel agréé par MILWAUKEE, des utilisations incorrectes, des altérations, des utilisations abusives, une usure normale, une carence d'entretien ou des accidents.

Usure normale : Plusieurs produits MX FUEL™ nécessiteront du remplacement et de l'entretien de leurs pièces fréquents afin de jouir de leur rendement optimal. Cette garantie ne couvre pas les réparations lorsque l'utilisation normale a épuisé la vie utile d'une pièce, y compris les courroies d'entraînement et d'assistance, les poulies, les flasques de disques, les joints à vide, les poignées sans outillage, les épingles de chasse, les patins, les coupleurs d'entraînement, les gaines en caoutchouc, l'alimentation automatique, les blocs de stabilisation, les roues, les porte-roues, les cordons, les joints toriques, les embouts, les lames d'entraînement, les pistons, les perceurs, les poussoirs, les porte-outils et les rondelles de protection de butoir.

Il n'est pas nécessaire d'inscrire la garantie pour obtenir la garantie correspondante d'un produit, d'un bloc-piles ou d'un chargeur MX FUEL™. L'ACCEPTATION DES RECOURS EXCLUSIFS DE RÉPARATION ET DE REMPLACEMENT DÉCRITS PAR LA PRÉSENTE EST UNE CONDITION DU CONTRAT D'ACHAT DE TOUT PRODUIT MILWAUKEE. SI VOUS N'ACCEPTÉZ PAS CETTE CONDITION, VOUS NE DEVEZ PAS ACHETER LE PRODUIT. EN AUCUN CAS MILWAUKEE NE SAURAIT ÊTRE RESPONSABLE DE TOUT DOMMAGE ACCESSOIRE, SPÉCIAL OU INDIRECT, DE DOMMAGES-INTÉRÊTS PUNITIFS OU DE TOUTE DÉPENSE, D'HONORAIRES D'AVOCATS, DE FRAIS, DE PERTE OU DE DÉLAIS ACCESSOIRES À TOUT DOMMAGE, DÉFAILLANCE OU DÉFAUT DE TOUT PRODUIT, Y COMPRIS NOTAMMENT LES PERTES DE PROFIT. CERTAINS ÉTATS ET PROVINCES NE PERMETTANT L'EXCLUSION OU LA LIMITATION DES DOMMAGES DIRECTS OU INDIRECTS, LES RESTRICTIONS CI-DESSOUS PEUVENT NE PAS ÊTRE APPLICABLES. CETTE GARANTIE EST EXCLUSIVE ET REMPLACE TOUTE AUTRE GARANTIE EXPRESSE, QU'ELLE SOIT VERBALE OU ÉCRITE. DANS LA MESURE PERMISE PAR LA LOI, MILWAUKEE RENONCE À TOUTE GARANTIE IMPLICITE, Y COMPRIS, SANS S'Y LIMITER, TOUTE GARANTIE IMPLICITE DE COMMERCIALISABILITÉ OU D'ADAPTATION À UNE UTILISATION OU À UNE FIN PARTICULIÈRE. DANS LA MESURE OU UNE TELLE STIPULATION D'EXONÉRATION N'EST PAS PERMISE PAR LA LOI, LA DURÉE DE CES GARANTIES IMPLICITES EST LIMITÉE À LA PÉRIODE APPLICABLE DE LA GARANTIE EXPRESSE, TELLE QUE CELA EST DÉCRIT PRÉCÉDEMMENT. CERTAINES PROVINCES NE PERMETTANT PAS DE LIMITATION DE DURÉE DES GARANTIES IMPLICITES, LES RESTRICTIONS CI-DESSOUS PEUVENT NE PAS ÊTRE APPLICABLES. LA PRÉSENTE CONFÈRE À L'UTILISATEUR DES DROITS LÉGAUX PARTICULIERS; IL BÉNÉFICIE ÉGALEMENT D'AUTRES DROITS QUI VARIENT D'UNE PROVINCE À L'AUTRE. Cette garantie s'applique uniquement aux produits vendus aux États-Unis et au Canada.

Veuillez consulter l'onglet « Trouver un centre de service » dans la section « Pièces et service » du site web de MILWAUKEE, à l'adresse www.milwaukeetool.com, ou composer le 1.800.SAWDUST (1.800.729.3878) pour trouver le centre de service le plus proche pour l'entretien, sous garantie ou non, d'un produit, d'un bloc-piles ou d'un chargeur MX FUEL™.

ADVERTENCIAS DE SEGURIDAD GENERALES PARA LA HERRAMIENTA ELÉCTRICA

⚠️ ADVERTENCIA Lea todas las advertencias de seguridad, instrucciones, ilustraciones y especificaciones con esta herramienta eléctrica. Si no sigue todas las advertencias e instrucciones, se pueden provocar una descarga eléctrica, un incendio o lesiones graves. **Guarde todas las advertencias e instrucciones para consultarlas en el futuro.** El término "herramienta eléctrica" en todas las advertencias incluidas más abajo se refiere a su herramienta operada por conexión (cable) a la red eléctrica o por medio de una batería (inalámbrica).

SEGURIDAD EN EL ÁREA DE TRABAJO

- **Mantenga el área de trabajo limpia y bien iluminada.** Las áreas desordenadas u oscuras son propicias para los accidentes.
- **No utilice herramientas eléctricas en atmósferas explosivas, tales como en presencia de líquidos, gases o polvos inflamables.** Las herramientas eléctricas generan chispas que pueden encender el polvo o los vapores.
- **Mantenga a los niños y a los espectadores alejados mientras utiliza una herramienta eléctrica.** Las distracciones pueden ocasionar la pérdida de control.

SEGURIDAD ELÉCTRICA

- **Los enchufes de la herramienta eléctrica deben coincidir con el tomacorriente.** Nunca modifique el enchufe de ninguna manera. No utilice adaptadores de enchufe con herramientas eléctricas aterrizadas. Los enchufes y tomacorrientes correspondientes sin modificar reducirán el riesgo de descarga eléctrica.
- **Evite el contacto corporal con superficies aterrizadas, tales como tuberías, radiadores, estufas y refrigeradores.** Existe un riesgo mayor de descarga eléctrica si su cuerpo está aterrizado.
- **No exponga las herramientas eléctricas a la lluvia ni a condiciones húmedas.** Si se introduce agua en una herramienta eléctrica, aumentará el riesgo de descarga eléctrica.
- **No maltrate el cable.** Nunca utilice el cable para cargar, jalar o desconectar la herramienta eléctrica. Mantenga el cable alejado del calor, el aceite, los bordes afilados o las partes en movimiento. Los cables dañados o enredados aumentan el riesgo de descarga eléctrica.
- **Al utilizar una herramienta eléctrica en exteriores, utilice una extensión adecuada para uso en exteriores.** El uso de una extensión adecuada para el uso en exteriores disminuye el riesgo de descarga eléctrica.
- **Si es inevitable utilizar una herramienta eléctrica en un lugar húmedo, utilice un alimentador de corriente protegido con un interruptor de circuito por falla de conexión a tierra (GFCI).** El uso de un GFCI reduce el riesgo de descarga eléctrica.

SEGURIDAD PERSONAL

- **Manténgase alerta, atento a lo que está haciendo y utilice el sentido común al utilizar una herramienta eléctrica.** No utilice una herramienta eléctrica mientras está cansado o bajo la influencia de drogas, alcohol o medicamentos. Un momento de

distracción al utilizar herramientas eléctricas puede ocasionar lesiones personales graves.

- **Utilice equipo de protección personal. Siempre use protección para los ojos.** El equipo de protección, tal como una máscara contra polvo, calzado antideslizante, casco o protección auditiva, utilizado para condiciones adecuadas disminuirá las lesiones personales.
- **Evite el arranque accidental. Asegúrese de que el interruptor esté en la posición de apagado antes de conectarlo a una fuente de poder y/o batería, levantar o trasladar la herramienta.** Trasladar herramientas con el dedo en el interruptor o energizar herramientas eléctricas que tienen el interruptor encendido propicia accidentes.
- **Retire cualquier llave de ajuste antes de entender la herramienta.** Una llave que se deje insertada en una parte giratoria de la herramienta eléctrica puede ocasionar lesiones personales.
- **No estire el cuerpo demasiado. Mantenga un buen contacto entre los pies y el suelo y mantenga el equilibrio en todo momento.** Esto permite un mejor control de la herramienta eléctrica en situaciones inesperadas.
- **Vístase adecuadamente. No utilice ropa o joyería holgada. Mantenga el cabello y la ropa alejados de las partes móviles.** La ropa holgada, las alhajas o el cabello largo pueden quedarse atrapados en las partes móviles.
- **Si se proporcionan dispositivos para la conexión de instalaciones de extracción y recolección de polvo, cerciórese de que estén conectados y se utilicen correctamente.** El uso de dispositivos recolectores de polvo puede disminuir los riesgos relacionados con el polvo.
- **No permita que la familiaridad por el uso frecuente de las herramientas lo hagan sentirse seguro e ignorar los principios de seguridad de las herramientas.** Un descuido puede provocar lesiones graves en una fracción de segundo.

USO Y CUIDADO DE LAS HERRAMIENTAS ELÉCTRICAS

- **No fuerce la herramienta eléctrica. Utilice la herramienta eléctrica correcta para su aplicación.** La herramienta eléctrica correcta realizará el trabajo mejor y con mayor seguridad a la velocidad para la que fue diseñada.
- **No utilice la herramienta eléctrica si el interruptor no la enciende y la apaga.** Cualquier herramienta eléctrica que no pueda controlarse con el interruptor es peligrosa y debe repararse.
- **Desconecte el enchufe de la fuente de energía y/o quite la batería de la herramienta eléctrica, si es posible, antes de realizar cualquier ajuste, cambiar accesorios o almacenar las herramientas eléctricas.** Tales medidas preventivas de seguridad disminuyen el riesgo de que la herramienta eléctrica se encienda accidentalmente.
- **Almacene las herramientas eléctricas que no se estén utilizando fuera del alcance de los niños y no permita que personas que no estén familiarizadas con la herramienta eléctrica o con estas instrucciones la utilicen.** Las herramientas eléctricas son peligrosas en manos de usuarios sin capacitación.
- **Dé mantenimiento a las herramientas eléctricas y accesorios.** Verifique que no haya desalineación, amarre de partes móviles, partes rotas o alguna otra condición que pueda afectar el funcionamiento de la herramienta eléctrica. Si se

daña, asegúrese de que la herramienta eléctrica sea reparada antes de que se utilice. Muchos accidentes son ocasionados por herramientas eléctricas con mantenimiento deficiente.

- **Mantenga las herramientas de corte afiladas y limpias.** Las herramientas de corte correctamente mantenidas con bordes de corte afilados son menos propensas a atorarse y son más fáciles de controlar.
- **Utilice la herramienta eléctrica, los accesorios y las puntas, etc. de acuerdo con estas instrucciones, tomando en cuenta las condiciones de trabajo y el trabajo a realizar.** El uso de la herramienta eléctrica para operaciones diferentes a las previstas podría generar una situación peligrosa.
- **Mantenga las empuñaduras y ñas superficies de sujeción secas, limpias y libres de aceite y grasa.** Las empuñaduras y superficies de sujeción resbalosas no permiten el manejo y control seguros de la herramienta en situaciones inesperadas.

USO Y CUIDADO DE LAS HERRAMIENTAS CON BATERÍA

- **Recargue únicamente con el cargador especificado por el fabricante.** Un cargador que es adecuado para un tipo de batería puede crear un riesgo de incendio si se utiliza con otra batería.
- **Utilice las herramientas eléctricas únicamente con baterías específicamente diseñadas.** El uso de cualquier otra batería puede producir un riesgo de lesiones e incendio.
- **Cuando la batería no esté en uso, manténgala alejada de otros objetos metálicos como sujetapapeles, monedas, llaves, clavos, tornillos u otros objetos metálicos pequeños que puedan formar una conexión de una terminal a otra.** Crear un corto entre las terminales de la batería puede ocasionar quemaduras o un incendio.
- **Bajo condiciones de maltrato, el líquido puede ser expulsado de la batería, evite el contacto.** En caso de contacto accidental, lave con agua. Si el líquido entra en contacto con los ojos, busque además ayuda médica. El líquido expulsado de la batería puede causar irritación o quemaduras.
- **No use una batería o herramienta que se haya dañado o modificado.** Las baterías dañadas o modificadas pueden mostrar un comportamiento impredecible, causando incendios, explosión o riesgo de lesión.
- **No exponga una batería o herramienta al fuego o a temperatura excesiva.** La exposición a fuego o temperatura a más de 130°C (265°F) puede causar explosiones.
- **Siga todas las instrucciones de carga y no cargue la batería o la herramienta fuera del rango de temperatura especificado en las instrucciones.** La carga incorrecta o a temperaturas fuera del rango especificado puede dañar la batería y aumentar el riesgo de incendio.

MANTENIMIENTO

- **Lleve su herramienta eléctrica a servicio con un técnico calificado que use únicamente piezas de reemplazo idénticas.** Esto asegurará que la seguridad de la herramienta eléctrica se mantenga.
- **Nunca dé servicio a baterías dañadas.** Únicamente el fabricante o proveedores de servicio autorizados deben dar servicio a las baterías.

REGLAS ESPECIFICAS DE SEGURIDAD PARA ENHEBRADOR DE TUBERÍAS

- **Mantenga los pisos secos y libres de materiales resbalosos, como el aceite.** Los pisos resbalosos son propicios para que ocurran accidentes.
- **Restrinja el acceso o instale barricadas en el área para impedir la entrada de los transeúntes cuando la pieza se extienda más allá de la máquina, con el fin de contar con una distancia despejada de un metro (tres pies) de la pieza.** Restringir el acceso o instalar barricadas en el área de trabajo alrededor de la pieza reducirá el riesgo de enredos.
- **No use guantes.** Los guantes pueden enredarse en la tubería o las piezas giratorias de la máquina, lo que podrá causar lesiones físicas.
- **No use la máquina para otras tareas, como la perforación de orificios o el ajuste de tornos.** Otro tipo de usos o la modificación de la máquina para que realice otras aplicaciones podrá aumentar el riesgo de sufrir lesiones graves.
- **Fije la máquina a un banquillo o a un soporte. Fije las tuberías largas y pesadas con soportes para tuberías.** Esta medida evitará que la máquina se voltee.
- **Mientras se usa la máquina, párese del lado donde se encuentra el interruptor de control del operador.** Usar la máquina desde este lado reduce la necesidad de estirarse por encima de la máquina.
- **Mantenga las manos alejadas de la tubería y los aditamentos giratorios. Pare la máquina antes de limpiar las cuerdas de las tuberías o de atornillar los aditamentos. Deje que la máquina se detenga por completo antes de tocar la tubería.** Esta medida reducirá el riesgo de enredo con las piezas giratorias.
- **No use esta máquina para instalar o quitar aditamentos.** Esta medida podría ocasionar capturas, enredos o pérdida de control.
- **No use la máquina si no todas las cubiertas no están correctamente instaladas.** La exposición a las piezas móviles aumenta la probabilidad de enredos.
- **No use esta máquina si el interruptor de pedal está roto o perdido.** El interruptor de pedal permite tener un control seguro de la máquina, en situaciones como el alto total de emergencia en caso de enredo.
- **Antes de cada uso, revise la enroscadora de tuberías para asegurarse de que no tiene ninguna pieza rota, desgastada, faltante, mal alineada o atascada ni ningún otro tipo de daño.** Asegúrese de que el interruptor de pedal este fijo y que funcione bien. Dichas medidas preventivas reducen el riesgo de sufrir lesiones graves ocasionadas por descargas eléctricas, aplastamientos y contribuyen a evitar daños en la enroscadora de tuberías.
- **Nunca se estire hacia dentro de la máquina desde el mandril delantero o trasero, ya que así se reducirá el riesgo de enredos.**
- **Solo una persona puede controlar el proceso de trabajo y la operación de la herramienta.** El hecho de que otras personas más estén implicadas en el proceso podrá provocar una operación imprevista y lesiones físicas.

- **Mantenga abotonadas las mangas y las chamaras mientras opera la herramienta. No se estire por encima de la herramienta ni la tubería.** Es posible que la ropa quede atrapada en la tubería o la herramienta, lo que provocará que haya enredos.
- **Nunca arranque la máquina si no se aplicó aceite de corte de enroscado.** Las piezas podrán calentarse y causar que la máquina se sobrecaliente.
- **No use dedos que muestren signos de desgaste, pérdida de filo o daños.** Las herramientas de corte filosas exigen un torque más bajo y la herramienta es más fácil de controlar.
- **Use únicamente cabezales de dados de MILWAUKEE o equivalentes.** Otros cabezales de dado no se ajustarán correctamente a la herramienta, lo que aumentará el riesgo de que haya daños al equipamiento o lesiones físicas.
- **No use el carrito para transportar otras cargas ni agregue accesorios adicionales.**
- **Es posible que se pellizque los dedos con las patas del carrito. Para reducir el riesgo de sufrir lesiones durante la instalación/repliegue, mantenga los dedos alejados de las áreas en que se fijarán las patas.**
- **Riesgo de quemadura química. Mantenga la batería de la celda de monedas lejos de los niños.**

⚠ ADVERTENCIA Para reducir el riesgo de lesiones en aplicaciones que producen una cantidad considerable de polvo, use una solución de extracción de polvo que cumpla con OSHA de acuerdo con las instrucciones de operación de la solución.

• **Válgase siempre de su sentido común y sea cuidadoso cuando utilice herramientas.** No es posible anticipar todas las situaciones que podrían tener un desenlace peligroso. No utilice esta herramienta si no entiende estas instrucciones de uso o si considera que el trabajo a realizar supera sus capacidades, comuníquese con Milwaukee Tool o con un profesional capacitado para recibir capacitación o información adicional.

• **Conserve las etiquetas y las placas nominales.** Contienen información importante. Si son ilegibles o no están presentes, comuníquese con un centro de servicio MILWAUKEE para obtener un reemplazo gratuito.

⚠ ADVERTENCIA Algunos polvos generados por el lijado eléctrico, aserrado, pulido, taladrado y otras actividades de construcción contienen químicos identificados como causantes de cáncer, defectos congénitos u otros daños reproductivos. Algunos ejemplos de estos químicos son:

- plomo de pintura basada en plomo
- dióxido de silicio de los ladrillos y el cemento y otros productos de albañilería y
- arsénico y cromo de madera con tratamiento químico. Su riesgo por estas exposiciones varía, dependiendo de la frecuencia con que realice este tipo de trabajo. Para reducir su exposición a estos químicos: trabaje en un área bien ventilada y trabaje con equipo de seguridad aprobado, como mascarillas protectoras contra polvo especialmente diseñadas para filtrar partículas microscópicas.

SIMBOLOGÍA



Volts



Corriente continua



⚠ ADVERTENCIA Riesgo de choque eléctrico



Leer el manual del operador



Siempre use protección para los ojos



Mantenga las manos y la ropa alejadas de las partes móviles



No use guantes



Elevación de dos personas



UL Listing Mark para Canadá y Estados Unidos

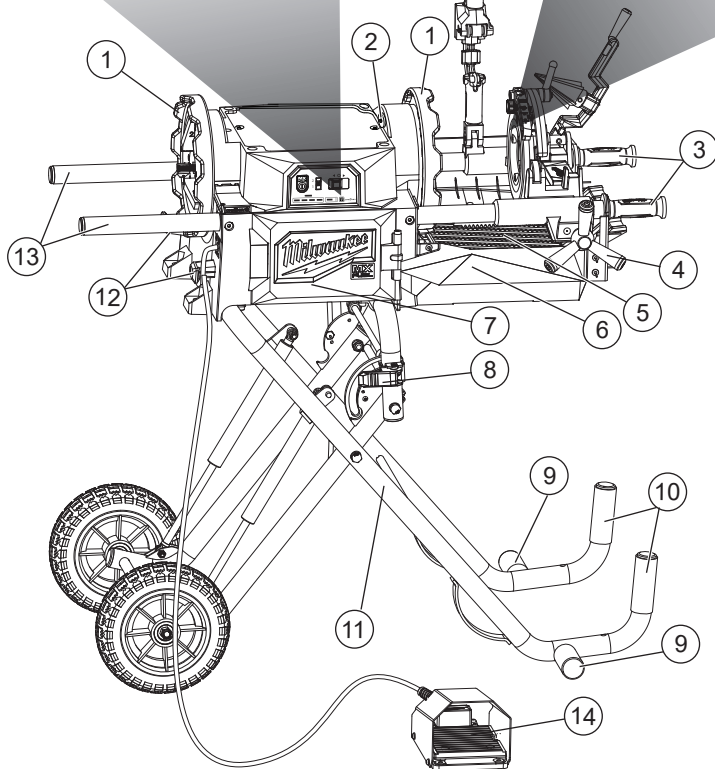
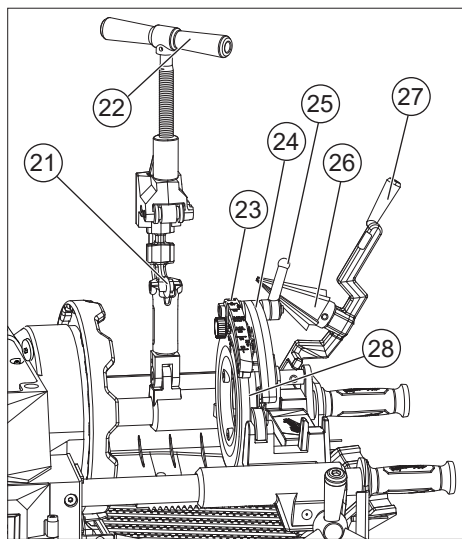
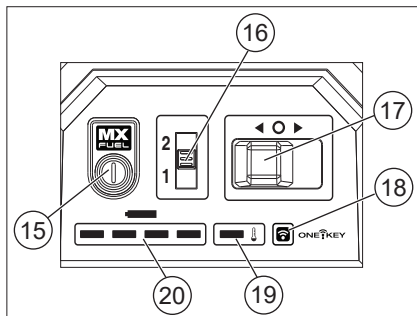
ESPECIFICACIONES

Cat. No.....	MXF512
Tipo de batería	MX FUEL™
Tipo de cargador	MX FUEL™
Módulo/ID de FCC.....	BGM11S/QOQ11
Revoluciones por minuto sin carga	39 / 59
Capacidad de enroscado.....	3,2 a 50,8 mm (1/8" a 2")
Velocidad de capacidad de tubería 1	50,8 mm (2") (max)
Velocidad de capacidad de tubería 2	50,8 mm (2") (max)
Dados compatibles	3,2 a 9,5 mm (1/8" - 3/8") 12,7 a 19,1 mm (1/2" - 3/4") 25,4 a 50,8 mm (1" - 2")
Volumen de aceite.....	3,78 L (1 Gal.)
Peso de levantamiento	115 kg (254 lbs.)*
Temperatura ambiente recomendada para operar	-18°C a 50°C (0°F a 125°F)

* El peso de levantamiento incluye el peso de la herramienta, los accesorios previstos más pesados y el aceite. Siempre agregue el peso de la batería si está instalada durante el levantamiento.

DESCRIPCION FUNCIONAL

1. Mandriles de percusión
2. Portainterruptor de pedal
3. Empuñaduras de transporte de accesorios
4. Ajustador de ensamble del carrito
5. Charola de residuos
6. Depósito de aceite
7. Compartimento para pilas
8. Pestillo de carrito
9. la barra del carrito



10. Empuñaduras de carrito
11. Carrito
12. Portacables
13. Brazos de accesorios
14. Interruptor de pedal
15. Botón de armado
16. Control de velocidad
17. Control de sentido
18. Indicador de ONE-KEY™
19. Luz indicadora de sobrecalentamiento
20. Indicador de combustible de la batería
21. Disco de corte
22. Empuñadura de tensión de disco de corte
23. Escala de tubería
24. Palanca de liberación de dedo
25. Palanca de fijación
26. Escariador
27. Empuñadura de escariador
28. Cabezales de dados

ENSAMBLAJE

ADVERTENCIA Recargue la batería sólo con el cargador especificado para ella. Para instrucciones específicas sobre cómo cargar, lea el manual del operador suministrado con su cargador y la batería.

Retiro/inserción de la batería

Para retirar la batería, presione el seguro del broche para moverlo hacia un lado y apriete la palanca del broche. Jale la batería para sacarla de la máquina.

ADVERTENCIA Para reducir el riesgo de lesiones, extraiga siempre la batería antes de acoplar o desacoplar accesorios.

Para introducir la batería, deslícela en el cuerpo de la máquina. Asegúrese de que quede bien firme en su posición.

ADVERTENCIA Utilice únicamente accesorios específicamente recomendados para esta máquina. El uso de accesorios no recomendados podría resultar peligroso. No use esta máquina si el interruptor de pedal está roto o perdido. El interruptor de pedal permite tener un control seguro de la máquina, en situaciones como el alto total de emergencia en caso de enredo.

Es posible que se pellizque los dedos con las patas del carrito. Para reducir el riesgo de sufrir lesiones durante la instalación/repliegue, mantenga los dedos alejados de las áreas en que se fijarán las patas.

Indicador de combustible

Cuando la máquina esté armada, el indicador de combustible muestra el tiempo restante de operación de la batería. El indicador de combustible refleja al indicador de combustible de la batería. Cuando quede menos de 10% de carga, una luz del indicador de combustible parpadeará. Cuando la batería alcance el 0% de carga, el indicador de combustible parpadeará 8 veces. Cargue la batería.

10-32%

32-55%

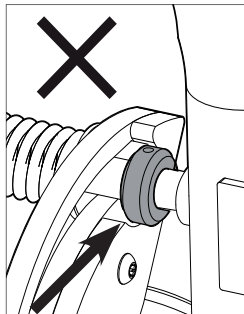
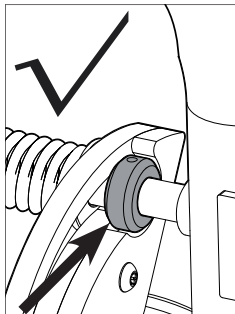
55-77%

77-100%

Menos del 10% si la primera luz parpadea 4 veces

Instalación / repliegue del carrito

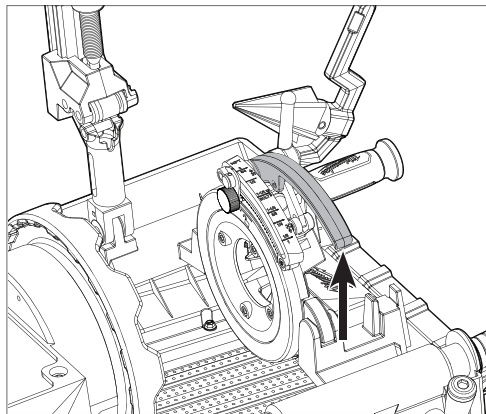
1. Asegúrese de que el área esté seca, sea estable y esté nivelada para aguantar la enroscadora de tuberías.
2. Quite la batería.
3. Para **instalar** el carrito, baje lentamente el carrito y abra el pestillo del carrito.



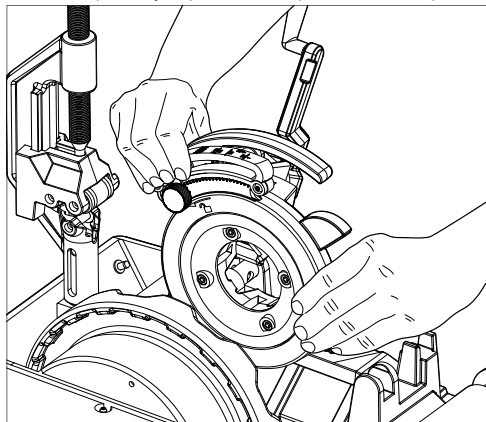
4. Jale las empuñaduras de transporte de accesorios hacia arriba mientras pone un pie en la barra del carrito hasta que el retén esté puesto, tal como se ilustra anteriormente.
5. Vacíe la charola de residuos antes de replegar/transportar el carrito.
6. Antes de replegar el carrito, quite la batería.
7. Asegúrese de que el cortador, el cabezal de dado y el escariador estén instalados en el carrito del ensamblaje.
8. Ponga el cable del interruptor de pedal alrededor de los portacables y ponga el interruptor de pedal hacia arriba, deslizándolo hacia dentro del portainterruptor de pedal.
9. Para **replegar** el carrito, jale el pestillo de carrito para liberarlo y empuje las empuñaduras de transporte de accesorios hacia abajo hasta que el retén llegue hasta el fondo.

Retiro / instalación de cabezales de dados

1. Quite la batería.
2. Para **quitarlos**, empuje el escariador y el disco de corte hacia la posición de abertura.
3. Levante la palanca de liberación de dado a la posición de abertura.



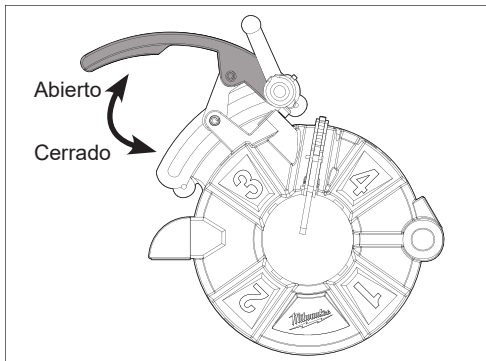
4. Jale hacia afuera el poste de cabezal de dado hacia el lado donde están los mandriles de percusión hasta que haya quitado completamente el poste.



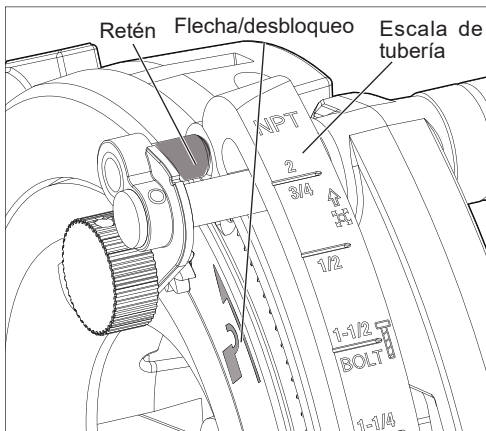
5. Para **instalarlos**, empuje el poste de cabezal de dado en la ranura hasta que ya no se vea el poste.

Retiro / instalación de dados

1. Quite la batería.
2. Quite el cabezal de dado. Limpie las rebabas de corte que queden en los dados con un cepillo de alambre antes de quitarlos del cabezal de dado.



3. Para **quitar** los dados, ponga el cabezal de dado con los números hacia arriba y abra la palanca de liberación de dado.

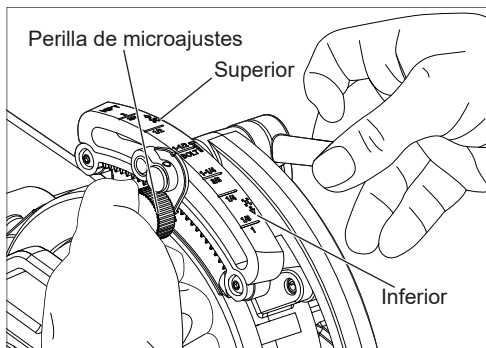


4. Afloje la palanca de fijación girándola hacia la izquierda hasta que el retén ya no esté enganchado con la escala de tubería.
5. Deslice la escala de tubería alineada con la flecha y desbloquéela.
6. Jale los dados para sacarlos del cabezal de dados.
7. Para **instalar** los dados, inserte el dado con los números en el cabezal de dado hacia arriba.
NOTA: Asegúrese de que los dados coincidan con los números correctos del cabezal de dado. Use los dados como juego; no mezcle dados con juegos distintos.
8. Empuje el dado en el cabezal de dado hasta llegar a la línea grabada en el dado.
9. Vuelva a meter el retén con la escala de tubería.
10. Apriete la palanca de fijación girándola a la derecha.

Ajuste del cabezal de dado

1. Quite la batería.
2. Afloje la palanca de fijación.
3. Deslice la escala de tubería hacia el tamaño deseado. Superior tiene un diámetro de paso más

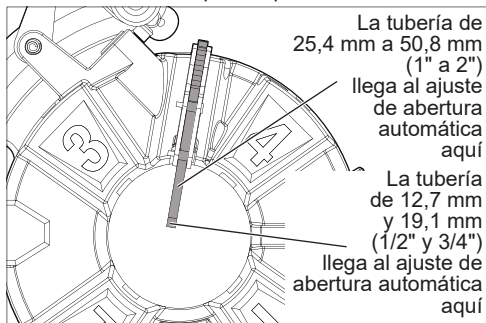
ancho para quitar más material. Inferior tiene un diámetro de paso más pequeño para quitar menos material.



4. Use la perilla de microajustes para adaptarla al tamaño deseado.
5. Apriete la palanca de fijación.

Ajuste de apertura automática

Levante la palanca de liberación de dado y, después, deslice el ajustador de apertura automática hacia arriba o hacia abajo, de acuerdo con el tamaño deseado de tubería que se quiere enroscar.



- 12,7 mm (1/2") y 19,1 mm (3/4"): El extremo de la tubería debe llegar al ajuste de apertura automática
- 25,4 mm (1") a 50,8 mm (2"): El extremo de la tubería debe llegar a la espiga del ajuste de apertura automática

No use el ajuste de apertura automática para tuberías cuyos tamaños sean de 3,2 mm (1/8"), 6,4 mm (1/4"), 9,5 mm (3/8"), con roscas más largas o más cortas y para el enroscado de pernos. Deslice el ajuste de apertura automática hacia arriba, lejos de la tubería

Aceite de corte de enroscado

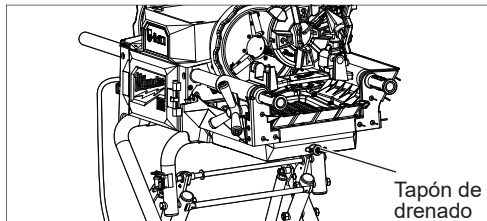
⚠ ADVERTENCIA Siempre quite la batería antes de cambiar o quitar los accesorios.

Revise con frecuencia el nivel de aceite. Agregue aceite conforme resulte necesario en el orificio del depósito que se encuentra debajo del filtro. El aceite debe fluir hacia dentro del orificio del depósito, mas no acumularse en la charola del filtro. Drene el aceite cada tres meses y siga un programa de limpieza cada seis meses. Use aceite de enroscado de alta calidad o el aceite de enroscado MILWAUKEE con Cat. No. 48-08-5100 para llenar el depósito de aceite.

El aceite permitirá mantener la tubería bien lubricada. Nunca arranque la máquina si no se aplicó aceite de corte de enroscado. Las piezas podrán calentarse y causar que la máquina se sobrecaliente. Si la bomba empieza a regurgitar, cambie el aceite y purgue el sistema de lubricación.

Drenado / llenado del depósito de aceite

1. Quite la batería.

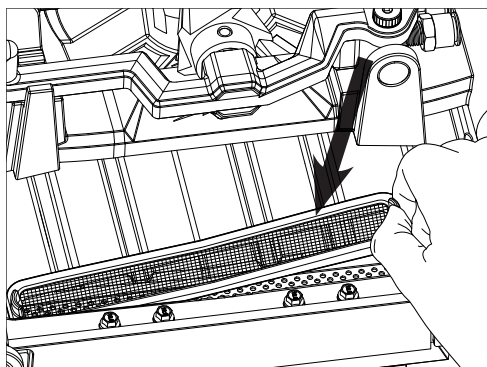


Tapón de drenado

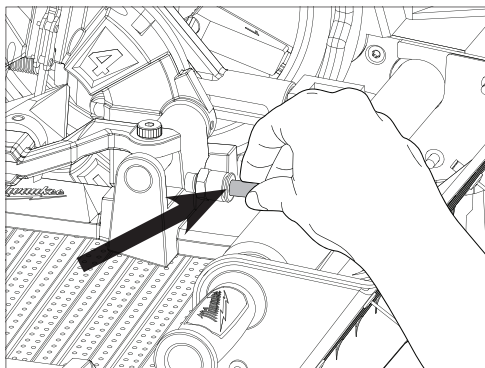
2. Para **drenar**, jale el tapón de drenado para sacarlo. Vacíe el aceite en un contenedor de aceite apropiado. Deseche el aceite usado de acuerdo con lo establecido en todas las normativas correspondientes. Para más información, comuníquese con la autoridad de gestión de residuos de su localidad.
3. Asegúrese de que el tapón de drenado se meta antes de llenar el depósito de aceite. Para **llenarlo**, vacíe el aceite dentro del depósito de aceite que se encuentra debajo de la charola de residuos.

Limpieza del sistema de lubricación

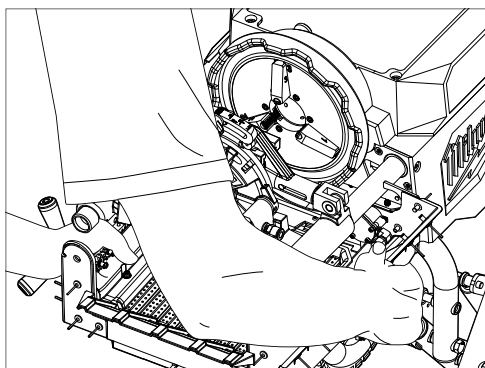
1. Quite la batería.
2. Drene el aceite.
3. Quite la charola de residuos y vacíela. **¡ADVERTENCIA!** No toque las astillas con las manos desnudas justo después de haber usado la máquina, ya que estarán calientes y afiladas. Las astillas podrían quemarle la piel.



4. Saque el filtro que está debajo de la charola de residuos y vacíelo.



5. Mientras empuja el collar de plástico del aditamento de conexión inmediata, jale el tubo del sistema de lubricación para separarlo del aditamento.
6. Quite las empuñaduras de transporte de accesorios.



7. Quite cuidadosamente todo el sistema de lubricación.
8. Limpie hacia abajo con agua tibia y jabón.

Retiro / instalación del disco de corte

Quite la batería. Para **quitarlo**, con un martillo y un punzón, quite el retén que sostiene el disco de corte. Para **instalarlo**, meta el disco de corte en los bujes. Martillee el retén hasta que se fije.

Retiro / instalación del escariador

Quite la batería. Para **quitarlo**, tome un punzón plano y martillee el retén que sostiene el escariador hasta que el retén se haya quitado por completo. Para **instalarlo**, fije el escariador al ensamble y martillee el retén hasta que se fije.

Retiro / instalación de los insertos de mordaza

Quite la batería. Para **quitarlo**, use un destornillador de cabeza plana para girar el inserto de mordaza. Jale el retén y el resorte. Para **instalarlo**, empuje el resorte y el retén hacia adentro. Meta el inserto de mordaza y apriételo con un destornillador de cabeza plana.

Transporte

⚠ ADVERTENCIA Use a dos personas cada vez que sea necesario elevar o cargar la máquina. La máquina está pesada. Levántela con las piernas, no con la espalda. No use el carrito para transportar otras cargas ni agregue accesorios adicionales. Siempre desarme la máquina antes de transportar. Asegúrese de haber enrollado el cable del pedal y de haber guardado el pedal antes de transportar el producto.

Siempre retire obstrucciones del área antes de transportar el producto.

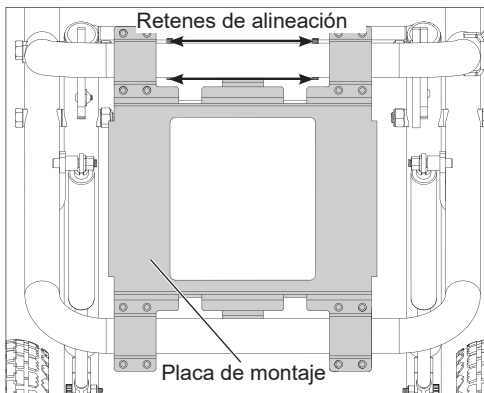
Para mover el carrito de lugar, agarre del mango de carrito e incline la máquina hacia atrás sobre los neumáticos. Empuje la máquina, no la jale.

Siempre utilice una elevación de dos personas cuando sea necesario. Para elevarla, agarre las empuñaduras de transporte de accesorios e incline la máquina hacia atrás, sobre los neumáticos. Pídale a la segunda persona que sostenga los brazos de ranurado de rodillo. Siempre mantenga una postura firme.

Retiro / instalación de la unidad de transmisión del carrito

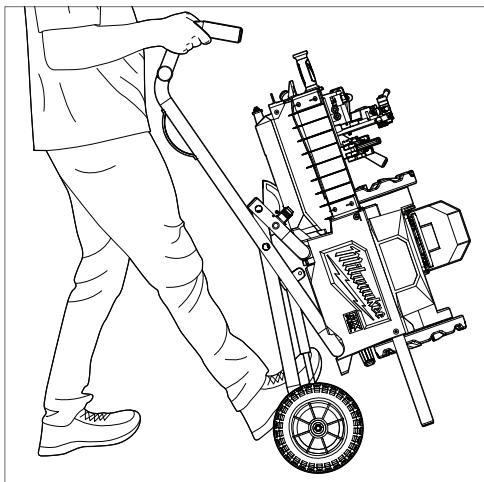
Cuando use otros medios o un dispositivo de elevación, asegúrese de que la eslinga de carga esté fija debajo de las empuñaduras de transporte de accesorios y los brazos de accesorios. Siempre levante el producto según lo indicado en las instrucciones del fabricante de la eslinga. Asegúrese de que la eslinga esté en buen estado y sea nominalmente compatible con el peso total de la herramienta, los accesorios que tenga fijos y el aceite. En caso de tener dudas, pida a un profesional experimentado que levante la máquina.

1. Asegúrese de que el carrito de la enroscadora de tuberías esté bien instalado y quite la batería. Quite la tubería y drene el depósito de aceite.
2. Para **quitar** la unidad de transmisión, al momento de usar un dispositivo que eleve la unidad de transmisión, fije la eslinga de elevación debajo de las empuñaduras de transporte de accesorios y los brazos de accesorios.
3. Con un destornillador de impacto con punta de 6 mm, quite los ocho tornillos M8-1,25 de los soportes de montaje delanteros del carrito.
4. Siga quitando los ocho tornillos de los soportes de montaje traseros del carrito.
5. Levante la unidad de transmisión para sacarla del carrito con un dispositivo o con la ayuda de una segunda persona que sostendrá las empuñaduras de transporte de accesorios y los brazos de accesorios.
6. Para **instalar** la unidad de transmisión, fije la eslinga de elevación a las empuñaduras de transporte de accesorios y los brazos de accesorios cuando se use un dispositivo que permita elevar la unidad de transmisión.



7. Ponga la placa de montaje en el carrito. Asegúrese de que los retenes de alineación se dirijan hacia el centro del carrito, que está en la parte delantera del carrito.
8. Levante la unidad de transmisión encima del carrito y alinee los orificios de la placa de montaje con los orificios de la unidad de transmisión.
9. Apriete los ocho tornillos M8-1,25 en los soportes de montaje traseros a la máquina a un torque de 18,4 N m (163 in-lbs.).
10. Siga apretando los ocho tornillos en los soportes de montaje delanteros a la máquina a un torque de 18,4 N m (163 in-lbs.).

Posición de guardado en vertical



1. Quite la batería.
2. Limpie el sistema de lubricación.
3. Repliegue el carrito.
4. Levante el carrito de la enroscadora de tuberías y empujelo en vertical.

ONE-KEY™

Para obtener más información acerca de la funcionalidad de ONE-KEY™ para esta máquina, consulte la Guía de inicio rápido que se incluye con este producto o visite milwaukeetool.com/One-Key. Para descargar la aplicación ONE-KEY™, visite la App Store o Google Play desde su dispositivo inteligente.

Indicador ONE-KEY™	
Azul fijo	El modo inalámbrico está activo y listo para configurar a través de la aplicación ONE-KEY™.
Azul intermitente	La máquina tiene una comunicación activa con la aplicación ONE-KEY™.
Rojo intermitente	La máquina tiene activo el bloqueo de seguridad y sólo podrá desbloquearla el dueño a través de la aplicación ONE-KEY™.

OPERACIÓN

⚠ ADVERTENCIA Con el fin de minimizar el riesgo de lesiones, siempre utilice la protección de ojos adecuada indicada para cumplir con lo dispuesto en la norma ANSI Z87.1.

No use guantes. Los guantes pueden enredarse en la tubería o las piezas giratorias de la máquina, lo que podrá causar lesiones físicas. Únicamente use guantes cuando maneje piezas calientes, no cuando la máquina esté funcionando.

Mantenga abotonadas las mangas y las chamarras mientras opera la herramienta. No se estire por encima de la herramienta ni la tubería. Es posible que la ropa quede atrapada en la tubería o la herramienta, lo que provocará que haya enredos. Mantenga las manos alejadas de la tubería y los aditamentos giratorios. Pare la máquina antes de limpiar las cuerdas de las tuberías o de atornillar los aditamentos. Deje que la máquina se detenga por completo antes de tocar la tubería. Esta medida reducirá el riesgo de enredo con las piezas giratorias.

No use la máquina para otras tareas, como la perforación de orificios o el ajuste de tornos. Otro tipo de usos o la modificación de la máquina para que realice otras aplicaciones podrá aumentar el riesgo de sufrir lesiones graves.

No use esta máquina sin la charola de residuos y el filtro.

No use esta máquina si el interruptor de pedal está roto o perdido. El interruptor de pedal permite tener un control seguro de la máquina, en situaciones como el alto total de emergencia en caso de enredo.

Solo una persona puede controlar el proceso de trabajo y la operación de la herramienta. El hecho de que otras personas más estén implicadas en el proceso podrá provocar una operación imprevista y lesiones físicas.

Armado de la máquina

Las máquinas MX Fuel™ deben armarse antes de su uso. Incluso con la batería insertada, el gatillo y las funciones de la máquina no operarán hasta que se arme la máquina.

Para armar la máquina:

1. Inserte la batería.
2. Pulse el botón Brazo. El icono MX FUEL™ se encenderá. El gatillo se armará en 2 segundos.
3. Después de 15 minutos de inactividad, la máquina entrará en modo de suspensión. El icono de MX FUEL™ se apagará y el gatillo y las luces LED ya no podrán operarse.
4. Oprima y sostenga el botón de armado por un segundo para reactivar la máquina.

5. Oprima y sostenga el botón de armado por un segundo para desarmar (apagar) la máquina. El icono de MX FUEL™ se apagará.

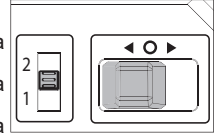
Ajuste de velocidad / sentido

Baja velocidad: Empuje hacia abajo para seleccionar 1.

Alta velocidad: Empuje hacia arriba para seleccionar 2.

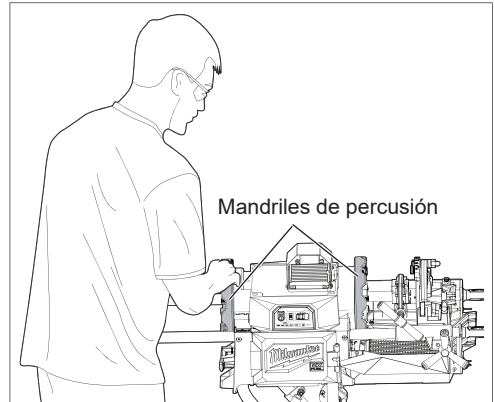
Reversa: Empuje hacia la izquierda.

Avance: Empuje hacia la derecha.



Funcionamiento de la máquina

1. Asegúrese de que el depósito tenga aceite y se hayan instalado los dados del tamaño correcto. Seleccione el tamaño deseado de enroscado en la escala de tubería y defina el ajustador de abertura automática, de ser necesario.
2. Levante el cortador, el cabezal de dado y el esquiador a la posición de abertura para instalar la tubería.
3. Gire los mandriles de percusión completamente hacia la izquierda.
4. Inserte la tubería en la máquina desde la parte de atrás, tal como se muestra a continuación



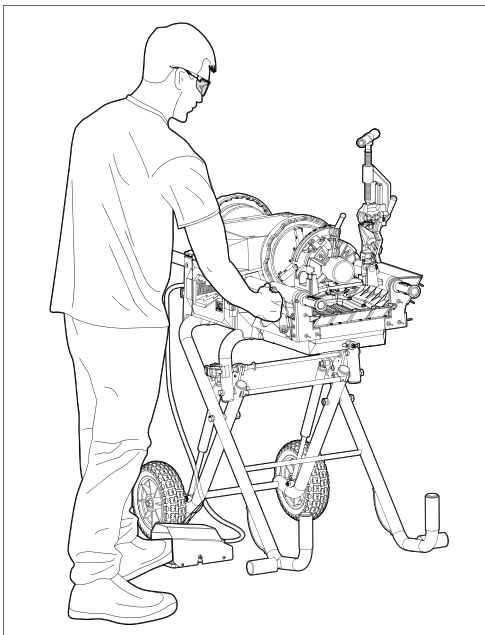
5. Fije la tubería girando los mandriles de percusión hacia la derecha hasta que sienta resistencia.
6. Ponga el disco de corte en la tubería, asegurándose de que el ensamble del disco de corte no entre en contacto con los mandriles de percusión.
7. Oprima el botón de armado para armar el sistema.
8. Seleccione el sentido y la velocidad.
9. Oprima el interruptor de pedal para que gire la tubería.
10. Para detener la máquina, deje de presionar el pedal.

11. Uso del esquiador:

- a. Baje el esquiador y use la empuñadura de transporte de accesorios para deslizarlo cerca de la tubería.
- b. Use el ajustador de ensamble del carrito para deslizar el esquiador hasta separarlo y levántelo hacia la posición de abertura.

12. Uso del cabezal de dado:

- Ponga el cabezal de dado hacia abajo en posición, alineando el tornillo de ajuste de altura en el ensamble del carrito.
- Con el ajustador de ensamble del carrito, deslice el cabezal de dado ejerciendo presión hasta que la rosca entre en la tubería.



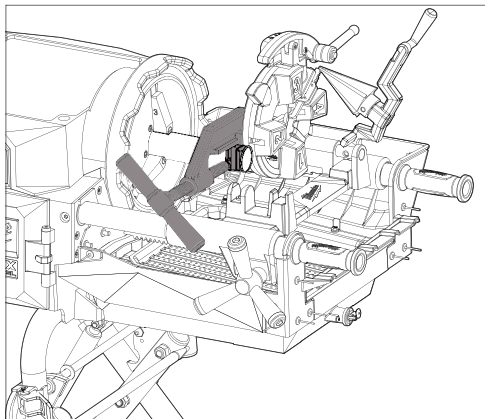
- La máquina soltará el cabezal de dado de la tubería. Tenga cuidado y mantenga el cuerpo alejado de la palanca de liberación de dado cuando se suelte el dado. Gire el ajustador de ensamble del carrito y quite el cabezal de dado de la tubería.

⚠ADVERTENCIA NO intente usar la empuñadura de transporte de accesorios para quitar la tubería del cabezal de dado mientras se realiza el enroscado. Suelte el pedal del interruptor de pedal y espere hasta que la máquina se detenga por completo para poder quitar la tubería del enroscado.

- Levante el cabezal de dado hacia la posición de apertura. Tenga cuidado, porque la tubería enroscada estará filosa.

5. Uso del disco de corte:

- Gire la empuñadura del disco de corte hacia la izquierda hasta que los bujes del cortador agarren la tubería.



- Gire la empuñadura del disco de corte hacia la derecha (1/4 de vuelta por cada revolución de tubería) hasta que se corte la tubería.
 - Cuando se haya cortado la tubería, gire la empuñadura del disco de corte hacia la izquierda para aflojar el disco de corte y levantarlo hacia la posición de apertura.
- Mantenga oprimido el botón de armado para desarmar la máquina.
 - Quite la tubería de la enroscadora aflojando los mandriles de percusión

Indicador de sobrecalentamiento

Si ocurre un sobrecalentamiento, el indicador de sobrecalentamiento parpadeará. La máquina no funcionará hasta que la luz del indicador de sobrecalentamiento haya dejado de parpadear. Deje de oprimir el interruptor del pedal y deje que la máquina se enfríe.

Inspección de las cuerdas / uso de un anillo de calibración

- Después de quitar la tubería de la máquina, limpie todo el aceite, astillas y residuos de la cuerda.
 - Revise la cuerda. Las cuerdas deben ser lisas, completas y tener una buena forma. Si hay alguna irregularidad, como rupturas, cuerdas delgadas o una redondez irregular, es posible que la cuerda no tenga un cierre hermético.
 - Para corroborar el tamaño de la cuerda con un anillo de calibración, enrosque el calibrador en la tubería y apriételo con la mano. El extremo de la tubería debe estar al ras al compararlo con el extremo del calibrador (más o menos una vuelta). Si la rosca no tiene el calibre adecuado, córtela, ajuste el cabezal de dado y corte otra.
- ¡ADVERTENCIA!** El uso de una cuerda que no tenga el calibre correcto puede provocar filtraciones.

MANTENIMIENTO

⚠ ADVERTENCIA Para reducir el riesgo de una lesión, desconecte siempre la máquina antes de darle cualquier mantenimiento. Nunca desarme la máquina ni trate de hacer modificaciones en el sistema eléctrico de la misma. Acuda siempre a un Centro de Servicio MILWAUKEE para TODAS las reparaciones.

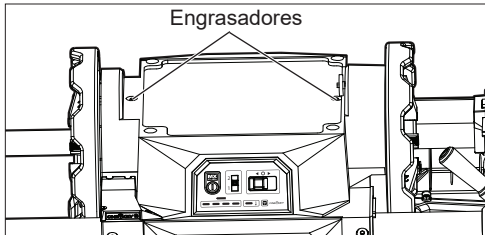
Mantenimiento de la máquina

Adopte un programa regular de mantenimiento y mantenga su máquina en buenas condiciones. Inspeccione la máquina para problemas como ruidos indebidos, desalineadas o agarradas de partes móviles, piezas rotas o cualquier otra condición que pueda afectar el funcionamiento de la máquina. Envíe su máquina al Centro de Servicio MILWAUKEE para reparación. Después de 6 meses a un año, dependiendo del uso dado, envíe su máquina al Centro de Servicio MILWAUKEE más cercano para la inspección.

Si la máquina no arranca u opera a toda su potencia con una batería completamente cargada, limpie, con una goma o borrador, los contactos de la batería y de la máquina. Si aun así la máquina no trabaja correctamente, regrésela, con el cargador y la batería, a un centro de servicio MILWAUKEE.

Engrasadores

Use grasa sintética de alta temperatura de viscosidad media. Aplique cinco bombeos de grasa en los engrasadores una vez al año.



ONE-KEY™

⚠ ADVERTENCIA Riesgo de quemadura química. Este dispositivo contiene una batería de botón/tipo moneda de litio. Una batería nueva o usada puede causar quemaduras internas graves y causar la muerte tan solo en 2 horas si se ingiere o entra al cuerpo. Siempre asegure la cubierta de la batería. Si no se cierra con firmeza, deje de usar el dispositivo, retire las baterías y manténgala alejada de los niños. Si cree que las baterías pudieron ser ingeridas o entraron al cuerpo, busque atención médica de inmediato.



Batería interna tipo moneda

Se usa una batería interna tipo moneda para facilitar la funcionalidad completa de ONE-KEY™. Si el indicador LED de modo se apaga y la máquina no puede ajustar la velocidad, o si la comunicación Bluetooth deja de funcionar, quite y vuelva a insertar la batería de la celda de la moneda para reiniciarla. Reemplace la batería si el problema persiste. Para cambiar la batería tipo moneda:
1. Retire la batería.

2. Quite los tornillos y abra la puerta que se encuentra en el compartimento de baterías.
3. Retire la batería tipo moneda anterior, manténgala fuera del alcance de los niños y deshágase de ella de la manera correcta.
4. Inserte la nueva batería tipo moneda (3V CR2032), con el lado positivo hacia arriba.
5. Cierre la tapa de la batería y apriete el tornillo (s) con firmeza.

⚠ ADVERTENCIA Para reducir el riesgo de lesiones, descargue eléctrica o daño a la máquina, nunca la sumerja en líquidos ni permita que estos fluyan dentro de la misma.

Limpieza

Limpie el polvo y suciedad de las cualquier ventilas. Mantenga los máquina, limpios, secos y libres de aceite o grasa. Use solo jabón neutro y un trapo húmedo para limpiar, ya que algunos sustancias y solventes limpiadores son dañinos a los plásticos y partes aislantes. Algunos de estos incluyen: gasolina, turpentina, thinner, lacas, thinner para pinturas, solventes para limpieza con cloro, amoníaco y detergentes caseros que tengan amonía. Nunca usa solventes inflamables o combustibles cerca de una máquina.

Limpieza de la batería y el compartimiento

Mantenga las conexiones y superficies de la batería que están entre esta y la máquina libres de residuos y materiales.

No tener limpias las superficies podrá causar una desalineación o daños en la conexión de la batería.

Reparaciones

Para reparaciones, póngase en contacto con el centro de servicio autorizado más cercano.

ACCESORIOS

⚠ ADVERTENCIA Utilice sólo los accesorios específicamente recomendados. Otros accesorios puede ser peligroso.

Para una lista completa de accesorios, visite nuestro sitio en Internet: www.milwaukeetool.com o póngase en contacto con un distribuidor.

COMUNICACIÓN INALÁMBRICA

Para productos que cuentan con funciones de comunicación inalámbrica, incluída ONE-KEY™:

De conformidad con la parte 15.21 del Reglamento de FCC, no modifique este producto. La modificación podría ocasionar que se anule su autorización para operar el producto. Este dispositivo cumple con lo dispuesto en la parte 15 del Reglamento de la FCC así como las normas RSS de exención de licencia de ISED-Canada. La operación está sujeta a las siguientes dos condiciones: 1) Este dispositivo no debe ocasionar interferencia nociva y 2) este dispositivo debe aceptar cualquier interferencia que se reciba, incluyendo la interferencia que pueda ocasionar operación no deseada.

SOPORTE DE SERVICIO - MEXICO

CENTRO DE ATENCION A CLIENTES

Techtronic Industries Mexico, S.A. de C.V.

Av. Presidente Masarik 29 Piso 7

11560 Polanco V Seccion

Miguel Hidalgo, Distrito Federal, México

01 (800) 030-7777 o (55) 4160-3540

Lunes a Viernes (9am a 6pm)

O contáctanos en www.milwaukeetool.com.mx

GARANTÍA LIMITADA - E.U.A. Y CANADÁ

Todo producto, batería y cargador MX FUEL™ MILWAUKEE están garantizados ante el comprador original por un distribuidor autorizado MILWAUKEE únicamente de que no tenga material y mano de obra defectuosos. Con algunas excepciones, MILWAUKEE reparará o cambiará un producto, batería o cargador MX FUEL™ que tenga material o mano de obra defectuosos, según lo determine MILWAUKEE mediante una revisión, por un periodo de dos (2) años después de la fecha de compra. Devuelva el producto, la batería o el cargador MX FUEL™ a un centro de servicio de fábrica MILWAUKEE o a una estación de servicio autorizada MILWAUKEE, con flete prepagado y asegurado. Para fines de un envío correcto de baterías, llame al 1.800.SAWDUST (1.800.729.3878) o visite www.milwaukeetool.com. Se debe incluir una copia del comprobante de compra con el producto devuelto. Esta garantía no aplica a daños que MILWAUKEE determine que son ocasionados por reparaciones o intentos de reparaciones realizados por una persona que no sea personal autorizado de MILWAUKEE, uso indebido, alteraciones, maltrato, desgaste normal, falta de mantenimiento o accidentes.

Desgaste normal: Muchos productos MX FUEL™ necesitan cambios de piezas y mantenimiento periódicos para alcanzar su máximo rendimiento. Esta garantía no cubre reparaciones cuando el uso normal haya agotado la vida útil de una pieza que incluye, entre otros, las bandas de accionamiento y de asistencia, las poleas, las bridas de disco, las juntas de vacío, las empuñaduras sin herramientas, los broches de guía, los patines, los acopladores de accionamiento, las zapatas de hule, la alimentación automática, los bloques estabilizadores, las ruedas, las ruedas de transportación, los cables, las juntas tóricas, los sellos, los protectores, las hojas de accionamiento, los pistones, los percutores, los levantadores, los portaherramientas y las arandelas de cubierta de los protectores.

No es necesario realizar el registro de la garantía para recibir la garantía correspondiente a un producto, batería o cargador MX FUEL™. LA ACEPTACIÓN DE LOS RESARCIMIENTOS EXCLUSIVOS DE REPARACIÓN Y SUSTITUCIÓN AQUÍ DESCRITOS ES UNA CONDICIÓN DEL CONTRATO EN CUANTO A LA COMPRA DE TODO PRODUCTO DE MILWAUKEE. SI USTED NO ACEPTA ESTA CONDICIÓN, NO DEBE COMPRAR EL PRODUCTO. MILWAUKEE NO SERÁ RESPONSABLE EN NINGÚN CASO DE DAÑOS INCIDENTALES, ESPECIALES, EMERGENTES O PUNITIVOS NI DE NINGÚN COSTO, HONORARIOS DE ABOGADOS, GASTOS, PÉRDIDAS O DEMORAS QUE SUPUESTAMENTE SEAN CONSECUENCIA DE ALGÚN DAÑO, FALLA O DEFECTO DE ALGUNO DE LOS PRODUCTOS, INCLUYENDO, ENTRE OTROS, RECLAMACIONES POR PÉRDIDA DE UTILIDADES. ALGUNOS ESTADOS NO PERMITEN LA EXCLUSIÓN O LIMITACIÓN DE RESPONSABILIDAD POR DAÑOS INCIDENTALES O EMERGENTES, POR LO QUE LA ANTERIOR LIMITACIÓN O EXCLUSIÓN PODRÍA NO APLICARSE EN SU CASO. ESTA GARANTÍA ES EXCLUSIVA Y SUSTITUYE TODAS LAS DEMÁS GARANTÍAS EXPRESAS, SEAN ESTAS ESCRITAS U ORALES, HASTA DONDE PERMITA LA LEY, MILWAUKEE DESCONOCE CUALQUIER GARANTÍA IMPLÍCITA, INCLUYENDO, SIN LIMITACIÓN, CUALQUIER GARANTÍA IMPLÍCITA DE COMERCIABILIDAD O IDONEIDAD PARA UN FIN O USO ESPECÍFICO; HASTA EN QUE DICHO DESCONOCIMIENTO NO SEA PERMITIDO POR LA LEY, DICHAS GARANTÍAS IMPLÍCITAS SE LIMITAN A LA DURACIÓN DE LA GARANTÍA EXPRESA CORRESPONDIENTE SEGÚN LO ARRIBA DESCRITO. ALGUNOS ESTADOS NO PERMITEN LIMITACIONES EN LA VIGENCIA DE UNA GARANTÍA IMPLÍCITA, POR LO QUE LA

ANTERIOR LIMITACIÓN PODRÍA NO APLICAR A USTED, ESTA GARANTÍA LE CONFIERE DERECHOS JURÍDICOS ESPECÍFICOS Y USTED PODRÍA, ADEMÁS, TENER OTROS DERECHOS QUE VARIAN SEGÚN EL ESTADO.

Esta garantía aplica únicamente a los productos vendidos en EE. UU. y Canadá.

Consulte la pestaña "Búsqueda de centros de servicio" en la sección "Piezas y servicio" del sitio web de MILWAUKEE en www.milwaukeetool.com o llame al 1.800.SAWDUST (1.800.729.3878) para localizar su centro de servicio más cercano para darle servicio, con o sin garantía, a un cargador, a una batería o a un producto MX FUEL™.

PÓLIZA DE GARANTÍA - VALIDA SOLO PARA MEXICO, AMÉRICA CENTRAL Y EL CARIBE

La garantía de TECHTRONIC INDUSTRIES es por 2 años a partir de la fecha original de compra.

Esta tarjeta de garantía cubre cualquier defecto de material y mano de obra en ese Producto.

Para hacer válida esta garantía, presente esta tarjeta de garantía, cerrada/sellada por el distribuidor o la tienda donde compró el producto, al Centro de Servicio Autorizado (ASC). O, si esta tarjeta no se ha cerrado/sellado, presente la prueba original de compra a ASC. Llame 55 4160-3547 para encontrar el ASC más cercano, para servicio, partes, accesorios o componentes.

Procedimiento para hacer válida esta garantía

Lleve el producto a ASC, junto con la tarjeta de garantía cerrada/sellada por el distribuidor o la tienda donde compró el producto, y cualquier pieza o componente defectuoso se reemplazará sin costo para usted. Cubriremos todos los costos de flete con relación a este proceso de garantía.

Excepciones

Esta garantía no tendrá validez en las siguientes situaciones:

- Cuando el producto se use de manera distinta a la que indica el manual del usuario final o de instrucciones.
- Cuando las condiciones de uso no sean normales.
- Cuando otras personas no autorizadas por TECHTRONIC INDUSTRIES modifiquen o reparen el producto.

Nota: si el juego de cables está dañado, tiene que reemplazarse en un Centro de Servicio Autorizado para evitar riesgos eléctricos.

CENTRO DE SERVICIO Y ATENCIÓN

Llame al 55 4160-3547

IMPORTADO Y COMERCIALIZADO POR

TECHTRONIC INDUSTRIES, MÉXICO, S.A. DE C.V.

Miguel de Cervantes Saavedra No.301 Piso 5, Torre Norte

11520 Colonia Ampliación Granada

Miguel Hidalgo, Ciudad de Mexico, Mexico

Modelo: _____

Fecha de Compra: _____

Sello del Distribuidor: _____

MILWAUKEE TOOL
13135 West Lisbon Road
Brookfield, WI 53005 USA