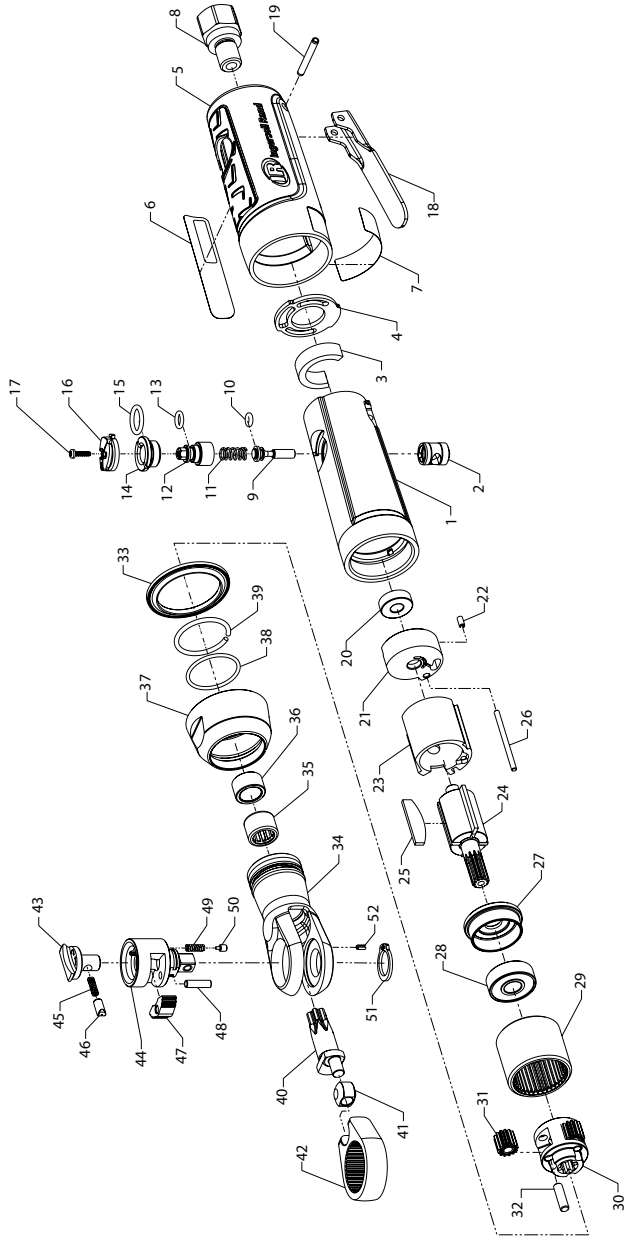


1105MAX-D2 and 1105MAX-D3, Air Ratchet Wrench - Exploded View



(Dwg. 45649290)



1105MAX-D2 and 1105MAX-D3, Air Ratchet Wrench - Parts List

| Item | Part Description | Part Number | Item | Part Description | Part Number |
|------|----------------------------|-----------------|------|--|--------------|
| | Housing Assembly | | | Gearing Kit | 1105-GK |
| | for 1105MAX-D2 | 1105MAX-D2-A40 | 29 | Internal Gear | 105-406 |
| | for 1105MAX-D3 | 1105MAX-D3-A40 | 30 | Spindle | 105-8 |
| 1 | Housing | --- | 31 | Planet Gear (3 per kit) | 105-9A |
| 2 | Valve Bushing | 1105-503 | 32 | Planet Gear Pin (3 per kit) | 1215-524 |
| 3 | Muffler | 1105-311 | 33 | Ring | 1105-223 |
| 4 | Exhaust Gasket | --- | | Ratchet Housing Assembly | 1105-A322 |
| | Composite Housing Assembly | | 34 | Ratchet Housing | --- |
| | for 1105MAX-D2 | 1105MAX-D2-A747 | 35 | Needle Bearing | --- |
| | for 1105MAX-D3 | 1105MAX-D3-A747 | 36 | Bushing | --- |
| 5 | Composite Housing | --- | 37 | Coupling Nut | 1105-27A |
| 6 | Nameplate Label | | 38 | O-Ring | JQ2-201 |
| | for 1105MAX-D2 | 1105MAX-D2-301 | 39 | Retaining Ring | 1105-118 |
| | for 1105MAX-D3 | 1105MAX-D3-301 | 40 | Crankshaft | 1105-35 |
| 7 | Warning Label | WARNING-35-99 | 41 | Drive Bushing | 1105-36 |
| 8 | Inlet Bushing Assembly | 103A-A565 | 42 | Yoke | 1105-37 |
| | Valve Kit | 1105-VK | | Ratchet Head Kit | |
| 9 | Throttle Valve | 1105-302 | | for 1105MAX-D2 | 1105-D2-TRK1 |
| 10 | Throttle Valve O-Ring | 1105-159 | | for 1105MAX-D3 | 1105-D3-TRK1 |
| 11 | Throttle Valve Spring | 3102-51 | 43 | Reverse Button | 1105-38 |
| 12 | Power Regulator | 1105-200 | 44 | Anvil Assembly | |
| 13 | Regulator O-Ring | 2130-159 | | for 1105MAX-D2 | 1105-D2-A44 |
| 14 | Valve Plug | 1105-266 | | for 1105MAX-D3 | 1105-D3-A44 |
| 15 | Valve Plug O-Ring | 170-283 | | Pawl Kit | 1105-K43 |
| 16 | Regulator Knob | 1105-249 | 45 | Lock Spring | --- |
| 17 | Screw | 1105-78 | 46 | Lock Pin | --- |
| | Throttle Lever Kit | 1105-LK | 47 | Pawl | --- |
| 18 | Throttle Lever | --- | 48 | Pawl Retaining Pin | --- |
| 19 | Pin | --- | | Spring Kit | 1105-SK |
| | Motor Assembly | 1105-MK | 49 | Friction Spring (3 per kit) | --- |
| 20 | Rear Rotor Bearing | 301-22 | 50 | Friction Pin (3 per kit) | --- |
| 21 | Rear End Plate | 3102-12 | 51 | Retaining Ring | --- |
| 22 | Motor Alignment Pin | 170-412 | 52 | Spring Pin | 1105-535 |
| 23 | Cylinder | 301-3 | * | Oil - Ingersoll Rand No. 10 (4 oz. bottle) | 1024 |
| 24 | Rotor | 105-53 | * | Grease | |
| 25 | Vanes (set of 4) | 301-42-4 | | IR # 67 (1 lb can) - for Gearing | 67-1 LB |
| 26 | End Plate Alignment Pin | 1105-98 | | IR # 67 (8 lb can) - for Gearing | 67 8 LB |
| 27 | Front End Plate | 1105-11 | | IR # 70 (1 lb can) - for Ratchet Head | 70 1 LB |
| 28 | Front Rotor Bearing | 301-24 | | IR # 70 (8 lb can) - for Ratchet Head | 70 8 LB |
| | | | * | Spline Wrench (for removal of item 29) | 1215-SW |
| | | | * | Regulator Wrench (for removal of item 14) | 1105-RW |
| | | | * | Clamp Tool (for clamping item 5) | 1105-598 |

* Indicates not illustrated.

Parts and Maintenance

When tool life has expired, it is recommended that the tool be disassembled, degreased and parts separated by material for proper recycling. Tool repair and maintenance should only be carried out by an authorized Service Center. Refer all communications to the nearest **Ingersoll Rand** office or distributor.

Related Documentation

Manuals can be downloaded from ingersollrand.com

For additional information, refer to:

Product Safety Information Manual 04580361

Product Information Manual 45649159

