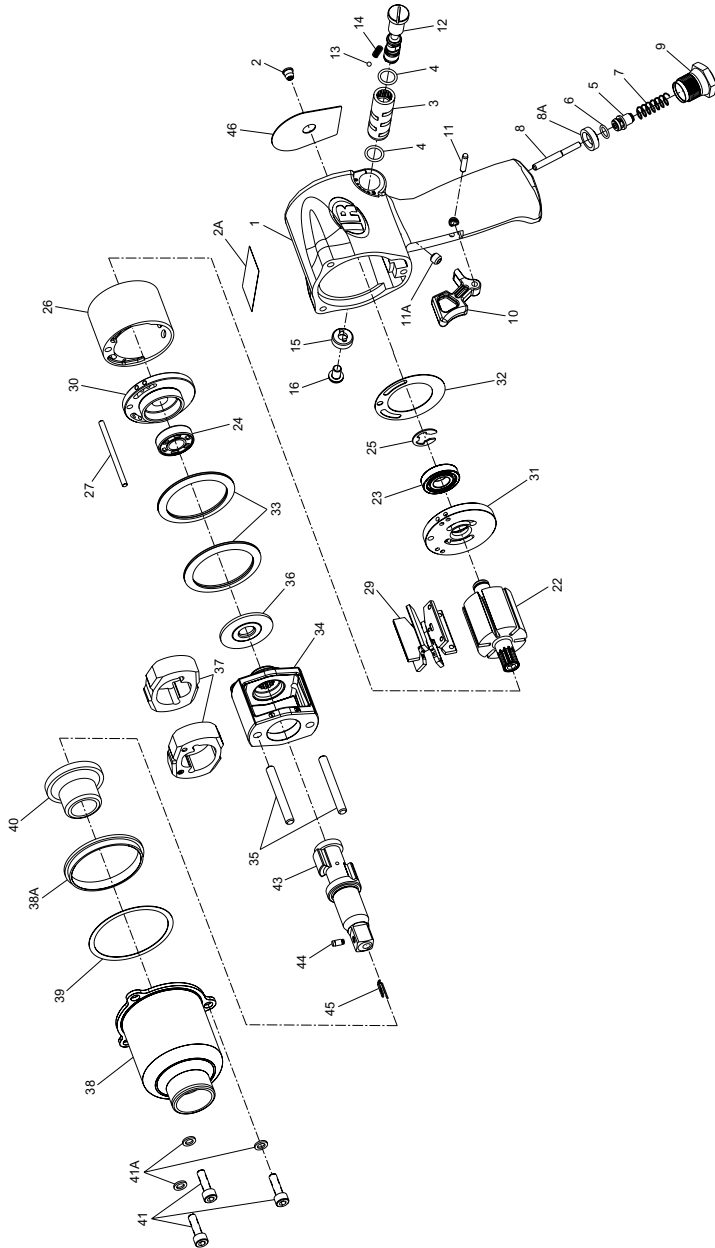


# 2705P1 Air Impact Wrench - Exploded View



(Dwg. TPA800-7)



## 2705P1 Air Impact Wrench - Parts List

Item	Part Description	Part Number	Item	Part Description	Part Number
	Motor Housing Assembly	231C-A40	◆ 29	Vane Packet (set of 6 Vanes)	2131-42A-6
1	Motor Housing	231C-40Y	30	Front End Plate	131-11
2	Grease Fitting	131-188	31	Rear End Plate	131-12
2A	Housing Label	WARNING-2-99	◆ 32	End Plate Gasket	PF800-283
3	Reverse Valve Bushing	131-A330	33	Motor Clamp Washer (2)	227-207
◆ 4	Reverse Valve Bushing Seal (2)	PS3-67	34	Hammer Frame Assembly	2131-A703
5	Throttle Valve Assembly	404-50A	35	Hammer Pin (2)	231-704
◆ 6	Throttle Valve Face	405-159	36	Hammer Frame Rear Washer	231-706
◆ 7	Throttle Valve Spring	R1A-51	37	Hammer (2)	231XP-724
8	Throttle Valve Stem	402-302	38	Hammer Case Assembly	131-A727-70
8A	Throttle Valve Seat	402-303	38A	Hammer Case Pilot	405-800
9	Air Strainer Assembly	402-565	◆ 39	Hammer Case Gasket	230-36
10	Trigger	705-93	40	Hammer Case Bushing	705-941
11	Trigger Pin	533-656	41	Hammer Case Cap Screw (3)	131-638
11A	Plug	502-95	41A	Hammer Case Lockwasher (3)	131-637
12	Reverse Valve	231-329A	43	Anvil Assembly (with pin-type retainer)	231B-726
◆ 13	Reverse Valve Detent Ball	AV1-255	◆ 44	Socket Retaining Plunger	804-716
◆ 14	Reverse Valve Detent Spring	131-664	◆ 45	Plunger Spring	5UHD-718
15	Reverse Valve Knob	131-666	46	Nameplate	2705P1-301
16	Reverse Valve Knob Screw	231-665	*	Tube of Grease	405-MG1
22	Rotor	231-53	*	Lube Injector	230-228
◆ 23	Rear Rotor Bearing	402-22	*	Bottle of Oil	405-M01
◆ 24	Front Rotor Bearing	4U-97	*	Tune-up Kit (includes illustrated parts 4, 6, 7, 13, 14, 23, 24, 25, 29, 32, 39, 44, 45 and non-illustrated part R1-75)	2705-TK3
◆ 25	Rear Rotor Bearing Retainer	131-118			
26	Cylinder	131-3			
27	Cylinder Dowel	230-98			

\* Indicates not illustrated.

◆ Indicates Tune-up Kit part.

## Parts and Maintenance

When tool life has expired, it is recommended that the tool be disassembled, degreased and parts separated by material for proper recycling.

Tool repair and maintenance should only be carried out by an authorized Service Center.

Refer all communications to the nearest **Ingersoll Rand** office or distributor.

## Related Documentation

Manuals can be downloaded from [ingersollrandproducts.com](http://ingersollrandproducts.com)

For additional information, refer to:

Product Safety Information Manual 04580916.

Product Information Manual 04578183.

Maintenance Information Manual 16601023.