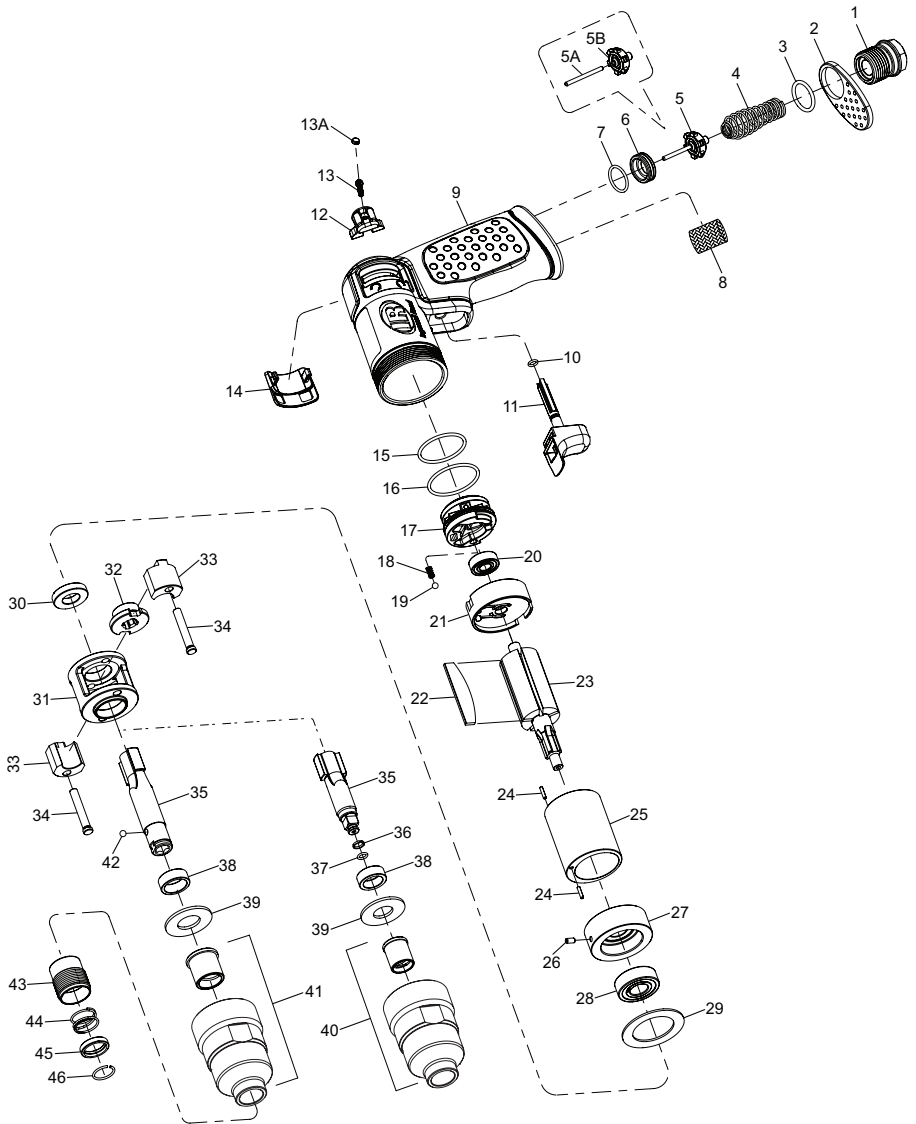


2101XPA, 2101XPA-QC and 2102XPA, Mini Impact Wrench - Exploded View



(Dwg. 47520789001)

2101XPA, 2101XPA-QC and 2102XPA, Mini Impact Wrench - Parts List

Item	Part Description	Part Number	(CCN)	Item	Part Description	Part Number	(CCN)
1	Air Inlet with Screen	2101XPA-A465	(47520794001)	27	Front End Plate	2101XPA-11	(47520821001)
2	Exhaust Deflector	2101XPA-23	(47520795001)	28	Ball Bearing	2101XPA-24	(47520822001)
3	O-Ring	2101XPA-65	(47520796001)	29	Washer	2101XPA-248	(47520823001)
4	Spring	2101XPA-51	(47520797001)	30	Washer	2101XPA-80	(47520826001)
5	Throttle Valve Assembly	2101XPA-A302	(47520798001)	31	Hammer Frame	2101XPA-703	(47520827001)
5A	Throttle Valve Pin	---	---	32	Hammer Cam	2101XPA-721	(47520828001)
5B	Throttle Valve	---	---	33	Hammer (2 required)	2101XPA-724-2	(47520829001)
6	Throttle Valve Seat	2101XPA-303	(47520799001)	34	Hammer Pin (2 required)	2101XPA-704-2	(47520830001)
7	O-Ring	2101XPA-65A	(47520800001)	35	Anvil	---	---
8	Muffler Element	2101XPA-674	(47520801001)		for 2101XPA	2101XPA-314	(47520831001)
					for 2101XPA-QC	2101XPA-QC-314	(47520839001)
9	Motor Housing Assembly for 2101XPA	2101XPA-A40	(47520763001)		for 2102XPA	2102XPA-314	(47520846001)
	Housing	2101XPA-40	(47520802001)	36	Socket Retainer	---	---
	Model Label	2101XPA-301	(47512908001)		for Models 2101XPA	2101XPA-118	(47520832001)
	Warning Label	2101XPA-99	(47512915001)		for Models 2102XPA	2102XPA-118	(47520848001)
	Motor Housing Assembly for 2102XPA	2102XPA-A40	(47520767001)	37	O-Ring	---	---
	Housing	2102XPA-40	(47520878001)		for Models 2101XPA	2101XPA-65F	(47520833001)
	Model Label	2102XPA-301	(47512910001)		for Models 2102XPA	2102XPA-65	(47520847001)
	Warning Label	2101XPA-99	(47512915001)	38	Bushing	---	---
	Motor Housing Assembly for 2101XPA-QC	2101XPA-QC-A40	(47520765001)		for 2101XPA	2101XPA-330	(47520834001)
	Housing	2101XPA-QC-40	(47520871001)		for 2101XPA-QC, 2102XPA	2102XPA-330	(47520849001)
Model Label	2101XPA-QC-301	(47512909001)	39	Washer	---	---	
Warning Label	2101XPA-99	(47512915001)		for 2101XPA	2101XPA-248A	(47520835001)	
10	O-Ring	2101XPA-65B	(47520803001)		for 2101XPA-QC, 2102XPA	2102XPA-248	(47520850001)
11	Trigger	2101XPA-93	(47520804001)	40	Hammer Case Assembly for 2101XPA	2101XPA-A727	(47520892001)
12	Reverse Knob	2101XPA-329A	(47520805001)		Hammer Case	2101XPA-727	(47520837001)
13	Screw	2101XPA-638	(47520806001)		Bushing	2101XPA-330A	(47520836001)
13A	Plug	2101XPA-34	(47520807001)	41	Hammer Case Assembly for 2101XPA-QC, 2102XPA	2102XPA-A727	(47520899001)
14	Reverse Plate	2101XPA-851	(47520808001)		Hammer Case	2101XPA-727	(47520837001)
15	O-Ring	2101XPA-65C	(47520809001)		Bushing	2102XPA-330A	(47520851001)
16	O-Ring	2101XPA-65D	(47520810001)	42	Steel Ball (for Model 2101XPA-QC)	2101XPA-QC-722	(47520840001)
17	Reverse Valve	2101XPA-329	(47520811001)	43	Release Sleeve (for Model 2101XPA-QC)	2101XPA-QC-930	(47520841001)
18	Spring	2101XPA-250	(47520812001)	44	Spring (for Model 2101XPA-QC)	2101XPA-QC-250	(47520842001)
19	Steel Ball	2101XPA-722	(47520813001)	45	Washer (for Model 2101XPA-QC)	2101XPA-QC-248	(47520843001)
20	Ball Bearing	2101XPA-105	(47520814001)	46	Socket Retainer (for Model 2101XPA-QC)	2101XPA-QC-18	(47520844001)
21	Rear End Plate	2101XPA-12	(47520815001)				
22	Rotor Blade (5 required)	2101XPA-42-5	(47520816001)				
23	Rotor	2101XPA-53	(47520817001)				
24	Spring Pin (2 required)	2101XPA-120-2	(47520818001)				
25	Cylinder	2101XPA-3	(47520819001)				
26	Spring Pin	2101XPA-15	(47520820001)				

Parts and Maintenance

When tool life has expired, it is recommended that the tool be disassembled, degreased and parts separated by material for proper recycling.

Tool repair and maintenance should only be carried out by an authorized Service Center.

Refer all communications to the nearest **Ingersoll Rand** office or distributor.

Related Documentation

Manuals can be downloaded from ingersollrand.com

For additional information, refer to:

Product Safety Information Manual 04580916

Product Information Manual 47520869

