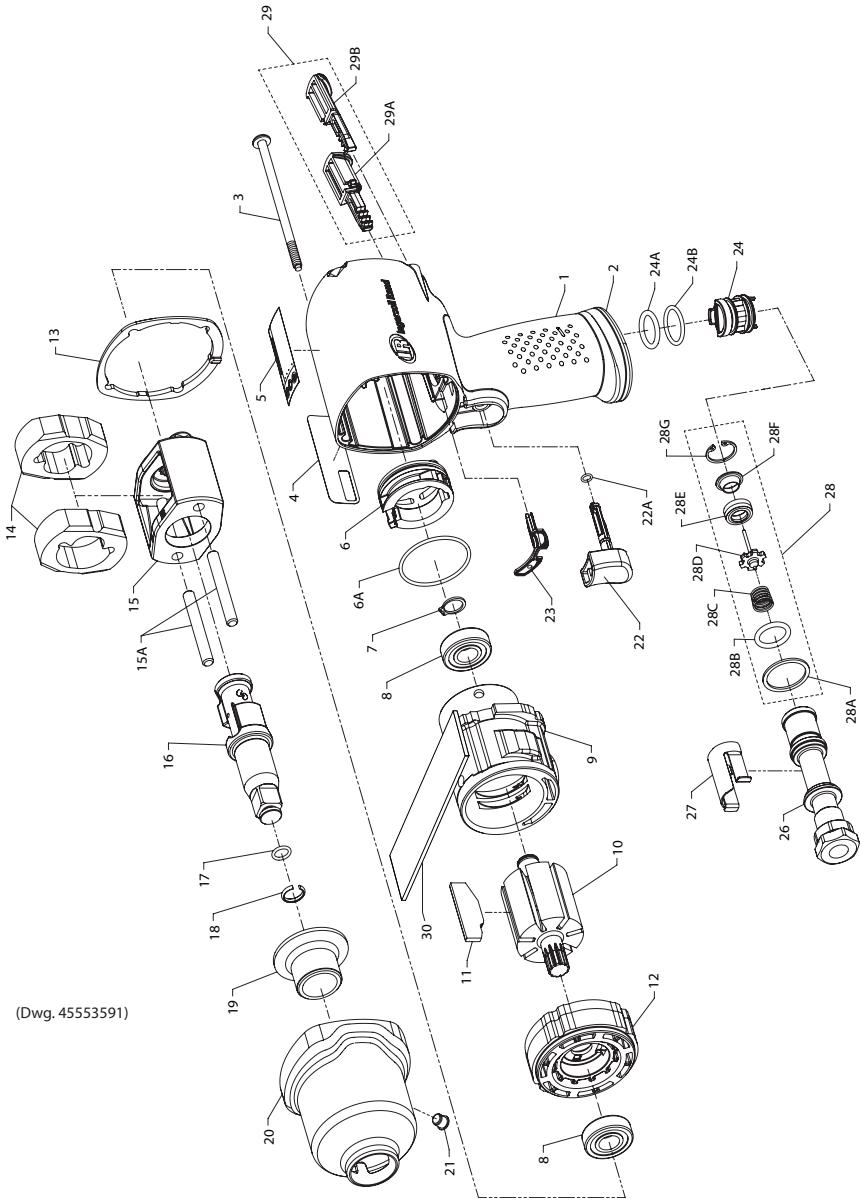


# 2135QXPA Series, Air Impact Wrench - Exploded View



(Dwg. 45553591)



## 2135QXPA Series, Air Impact Wrench - Parts List

Item	Part Description	Part Number	(CCN)	Item	Part Description	Part Number	(CCN)
*	Housing Assembly			17	O-Ring or Socket Retainer Spring	---	---
	for model 2135QXPA	2135QXPA-A40	(47517917001)	18	Socket Retainer	---	---
	for model 2135QXPA-A	2135QXPA-A-A40	2135QXPA-A-A40	19	Bushing, Hammer Case	2135-941	(80092927)
	for model 2135QXPA-2	2135QXPA-2-A40	(47517918001)	*	Hammer Case Assembly	2135QI-D727A	(4552288)
	for model 2135PQXPA	2135PQXPA-A40	(47518814001)	19	Bushing, Hammer Case	---	---
1	Housing	---	---	20	Hammer Case	---	---
2	Exhaust Deflector	---	---	21	Grease Fitting	---	---
4	Information Label	---	---	21	Grease Fitting	130SR-188	(03039930)
5	Warning Label	---	---	† *	Trigger Assembly	2135-D93	(80096704)
23	Gasket, Motor	---	---	22	Trigger	---	---
*	Reverse Valve Assembly	---	---	22A	O-Ring, Trigger	---	---
29	Button Kit	---	---	† 23	Gasket, Motor	2131-283	(04167623)
3	Screw, Hammer Case (4 required)	2135-638	(80101686)	*	Reverse Valve Assembly	2131-A329	---
4	Information Label	---	---	24	Reverse Valve	---	---
	for model 2135QXPA	2135QXPA-300	(47517923001)	24A	O-Ring, Reverse Valve (Top-Black)	---	---
	for model 2135QXPA-A	2135QXPA-A-300	2135QXPA-A-300	24B	O-Ring, Reverse Valve (Bottom-Blue)	---	---
	for model 2135QXPA-2	2135QXPA-2-300	(47517924001)	*	Inlet Bushing Assembly	2135-D565A	(45531787)
	for model 2135PQXPA	2135PQXPA-300	(47518812001)	26	Inlet Bushing	---	---
5	Warning Label	WARNING-2-99	(04203139)	27	Inlet Clip	2131-57	(04167862)
*	Power Regulator Assembly	2135-D249A	(45523628)	28	Inlet Parts Kit	2135-K303	(45535051)
6	Power Regulator	---	---	28A	Washer	---	---
6A	O-Ring, Power Regulator	---	---	28B	O-Ring, Seal	---	---
7	Retaining Ring	2131-6	(04194809)	28C	Throttle Spring	---	---
8	Ball Bearing (2 required)	2131-97	(04172813)	28D	Throttle Valve	---	---
9	Cylinder	2135-3	(45526183)	28E	Valve Seat	---	---
10	Rotor	2135-53	(80100456)	28F	Seat Support	---	---
† 11	Vane Pack (set of 7)	2135-42A-7	(04722211)	28G	Retainer	---	---
12	End Plate	2131-11	(04167581)	29	Button Kit	2135-K75	(04722245)
† 13	Hammer Case Gasket	2135-36	(80096381)	29A	Forward Button	---	---
*	Hammer Kit	---	---	29B	Reverse Button	---	---
	for models 2135QXPA and 2135QXPA-A	2135-THK1	(80119571)	30	Silencer (for models 2135QXPA, 2135QXPA-A and 2135QXPA-2)	2131QT-311	(22040216)
	for models 2135QXPA-2	2135-2-THK1	(80119662)	*	Tune-Up Kit	2135-TK2	(45535028)
	for model 2135PQXPA	2135PTI-THK1	(80122153)	6A	O-Ring, Power Regulator	---	---
13	Hammer Case Gasket	---	---	7	Retaining Ring	---	---
14	Hammer (2)	231XP-724	(04678249)	8	Ball Bearing (2)	---	---
15A	Hammer Pin (2)	---	---	11	Vane Pack (set of 7)	---	---
*	Anvil Assembly	---	---	13	Hammer Case Gasket	---	---
*	Kit Grease	---	---	17	O-Ring	---	---
*	Hammer Frame Kit	2135-K703	(80119795)	18	Socket Retainer	---	---
15	Hammer Frame	---	---	22A	O-Ring, Trigger	---	---
15A	Hammer Pin (2)	---	---	23	Gasket, Motor	---	---
*	Kit Grease	---	---	24A	O-Ring, Reverse Valve (Top-Black)	---	---
*	Anvil Assembly	---	---	24B	O-Ring, Reverse Valve (Bottom-Blue)	---	---
	for models 2135QXPA and 2135QXPA-A	231B-A626	(04646634)	28	Inlet Parts Kit	---	---
	for models 2135QXPA-2	231B-A414	(04682167)	*	Inlet Clip Removal Tool	2131-322	(04263745)
	for model 2135PQXPA	231B-A726	(04695656)	† *	Air Care Kit (grease gun, grease, oil)	115-LBK1	(04616108)
16	Anvil	---	---	*	Grease (replacement tube for -LBK1)	115-4T	(04616157)
*	Socket Retainer Kit	---	---	*	Air Tool Oil (4 oz. bottle)	1024	(03875671)
† *	Socket Retainer Kit	---	---	*	Grease (1 lb can)	105-1LB	(04279147)
	for models 2135QXPA, 2135QXPA-A & 2135QXPA-2 (1/2" Ring-type) - Single piece	2125QTI-K425	(80107733)	*	Grease (8 lb can)	105-8LB	(04264875)
	for models 2135QXPA, 2135QXPA-A & 2135QXPA-2 (1/2" Ring-type) - 10 PACK	2125QTI-K425-10	(47517616001)	*	Grease Gun	R000A2-228	(03095015)
	for model 2135PQXPA (1/2" Pin-type) - Single piece	2125PTI-K425	(80107725)	*	Protective Tool Boot	2350-BOOT	(47498321)

\* Indicates not illustrated.

† Indicates common-wear parts. Maintain stock to reduce downtime.

## Parts and Maintenance

When tool life has expired, it is recommended that the tool be disassembled, degreased and parts separated by material for proper recycling. Tool repair and maintenance should only be carried out by an authorized Service Center. Refer all communications to the nearest **Ingersoll Rand** office or distributor.

## Related Documentation

Manuals can be downloaded from [ingersollrand.com](http://ingersollrand.com)

For additional information, refer to:  
 Product Safety Information Manual 04580916.  
 Product Information Manual 47517929.  
 Declaration of Conformity 47624113001.



ingersollrand.com  
 © 2021 Ingersoll Rand

47517930  
 Edition 6  
 November 2021