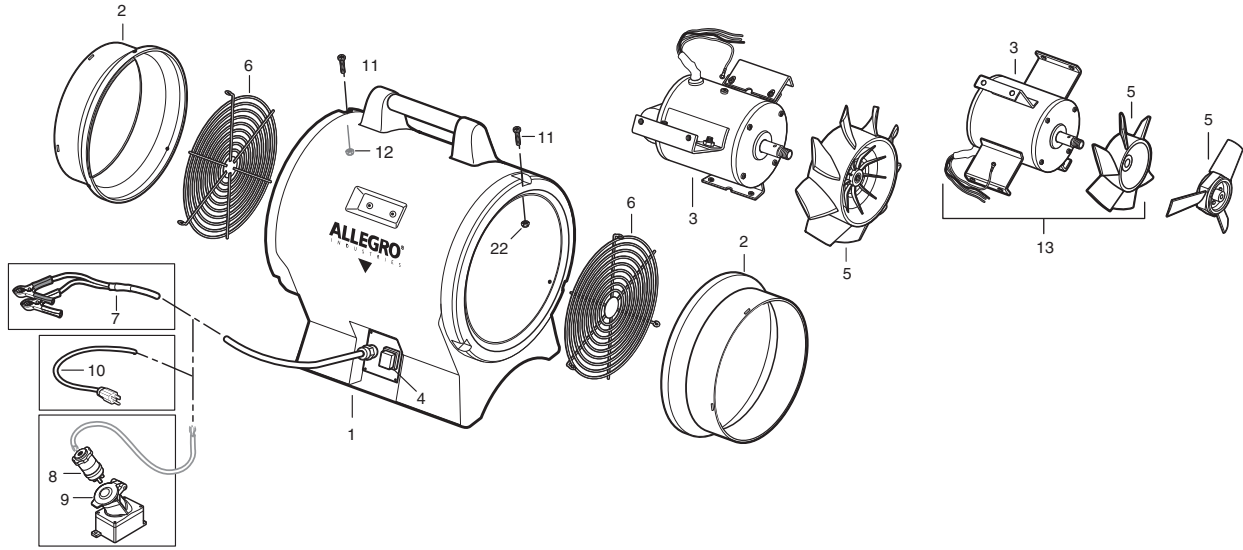


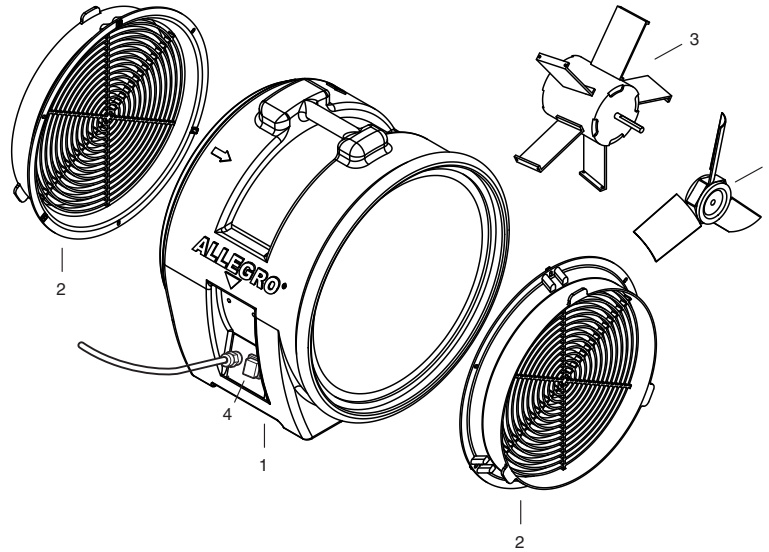
# INDUSTRIAL PLASTIC BLOWERS

(9539-08, 9539-12, 9539-12DC, 9539-12EX, 9539-16)

## 8" and 12" Industrial Plastic Blowers



## 16" Industrial Plastic Blower



Key	Part #	Description	Key	Part #	Description	Key	Part #	Description
	<b>9539-08</b>	<b>8" Industrial Plastic Blower</b>	4	9539-08E	Switch w/Panel (for 8" Blower)	12	9500-69	Lock Nut
	<b>9539-12</b>	<b>12" Industrial Plastic Blower</b>		9539-12E	Switch w/Panel (for 12" Blower)	13	9539-12CF	12" Blower Motor w/Fan
	<b>9539-12DC</b>	<b>12" DC Industrial Plastic Blower</b>		9539-16E	Switch w/Panel (for 16" Blower)			
	<b>9539-12EX</b>	<b>12" EX Industrial Plastic Blower</b>	5	9539-08F	Fan, 8 Blade (for 8" Blower)			
	<b>9539-16</b>	<b>16" Industrial Plastic Blower</b>		9539-12F	Fan, 6 Blade (for 12" Blower)			
1	9539-08A	8" Blower Housing		9509-06	Fan, DC 3 Blade (for 12" Blower)			
	9539-12A	12" Blower Housing		9509-06EX	Fan, EX 3 Blade (for 12" Blower)			
	9539-16A	16" Blower Housing		9539-16F	Fan, 3 Blade (for 16" Blower)			
2	9539-08B	8" Plastic Duct Connector	6	9539-08G	8" Grill			
	9539-12B	12" Plastic Duct Connector		9539-12G	12" Grill			
	9539-16B	16" Plastic Duct Connector	7	9506-40	DC Power Cord w/Clamps			
3	9539-08C	Motor, 1/3 HP (for 8" Blower)	8	9503-02	Plug 20A/125V (EX)			
	9539-12C	Motor, AC 1 HP (for 12" Blower)	9	9503-03	Recepticle (EX) (sold separately)			
	9506-10	Motor, DC 1/3 HP (for 12" Blower)	10	9539-08K	8" Blower Cord			
	9513-03EX	Motor, EX 1/3 HP (for 12" Blower)		9539-12K	12" Blower Cord			
	9539-16C	Motor, 1 HP (for 16" Blower)	11	9800-66	Machine Screw			