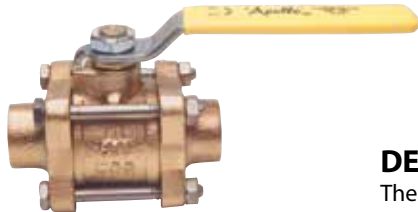


'Apollo' Valves

SUBMITTAL SHEET

82-200 Series 82-240 Series

3-Piece Full Port Solder End **Bronze Ball Valve**



Job Name:	
Job Location:	
Engineer:	
Contractor:	
Tag:	
PO Number:	
Representative:	
Wholesale Distributor:	



DESCRIPTION

The Apollo® 82-200 & 82A240 Series is an in-line serviceable valve designed for soft soldering or brazed installations. SAE Grade Body Bolts and RPTFE seals are standard.

FEATURES

- Dezincification Resistant Bronze Body
- Adjustable Packing Gland
- Blow-Out Proof Stem Design
- Premium RPTFE Seats and Seals
- Full Port Ball Configuration in all sizes
- Made in USA

PERFORMANCE RATING

- Maximum Pressure:
82-200 series: 600 psi CWP, 150 psi SWP
82A200 series: 400 psi CWP, 150 psi SWP
- Maximum Temperature: 500°F
- Vacuum Service to 29 in. Hg

MODELS

- 82-200 Series – Standard Construction
- 82-240 Series – 316 SS Ball & Stem
- 82A-240 Series – 3" & 4" Only (Limited Options)

APPROVALS

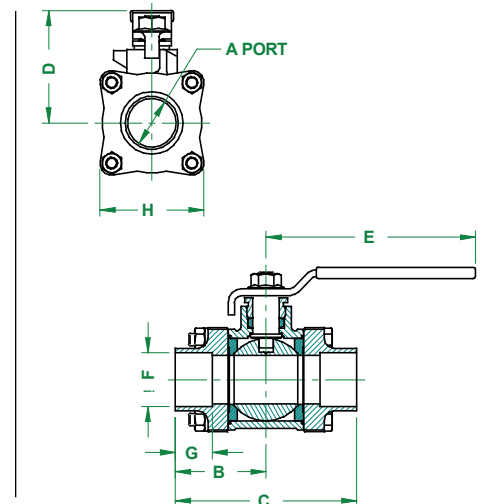
- MSS SP-110; Ball Valves, Threaded, Socket-Welding, Solder Joint, Grooved and Flared Ends
- CSA B51 CRN: OC10908.5C

STANDARD MATERIALS LIST

Part Name	Material
Lever and Grip	Steel, Zinc Plated w/ Vinyl
Stem Packing	RPTFE
Stem Bearing	RPTFE
Ball	ASTM B16, Chrome Plated or B283(1/4" - 2 1/2") ASTM A276-316 SS (3" - 4")
Seat (2)	RPTFE
End Cap (2)	B16 (3/8"), B584-C84400 (1/2" - 4")
Gland Nut	B16
Stem	ASTM B16, Chrome Plated (1/4"-2 1/2") ASTM A276-316 SS (3" - 4")
Lever Nut	Steel, Zinc Plated
Body Bolt	Steel, Zinc Plated
Hex Nut	Steel, Zinc Plated
Body	B584-C84400 Bronze

DIMENSIONS

Part Number	Size (in.)	Dimensions (in.)								Wt. (lbs.)
		A	B	C	D	E	F	G	H	
82-202-01	3/8"	0.44	1.28	2.56	1.81	3.87	0.50	0.38	1.60	1.0
82-203-01	1/2"	0.56	1.40	2.81	1.93	4.87	0.63	0.50	1.78	1.6
82-204-01	3/4"	0.83	1.71	3.43	2.18	4.87	0.88	0.75	1.98	2.3
82-205-01	1"	1.00	1.93	3.87	2.62	5.50	1.13	0.90	2.22	3.3
82-206-01	1 1/4"	1.25	2.37	4.75	2.87	5.50	1.38	0.97	2.70	5.6
82-207-01	1 1/2"	1.50	2.62	5.25	3.37	8.00	1.63	1.09	3.03	8.1
82-208-01	2"	2.00	3.01	6.03	3.68	8.00	2.13	1.34	3.87	14.4
82-209-01	2 1/2"	2.50	3.62	7.25	5.14	9.75	2.63	1.47	5.05	26.6
82A-240-01	3"	3.00	4.18	8.37	8.10	19.13	3.13	1.66	5.82	43.0
82A-24A-01	4"	4.00	5.43	10.86	8.88	19.13	4.13	2.16	7.77	106.0



Apollo Valves, Manufactured by **Conbraco Industries, Inc.**
701 Matthews Mint-Hill Road, Matthews, NC 28105 USA
www.apollovalves.com | (704) 841-6000

This specification is provided for reference only. Conbraco Industries Inc. reserves the right to change any portion of this specification without notice and without incurring obligation to make such changes to Conbraco products previously or subsequently sold. Please visit our website @ www.apollovalves.com for the most current information.



‘Apollo’ Valves

SUBMITTAL SHEET

82-200 Series 82-240 Series

3-Piece Full Port Solder End **Bronze Ball Valve**

OPTIONS & SIZES

• (-01) Lever Handle (Standard)	1/4" - 4"
• (-02) Stem Grounded	1/4" - 4"
• (-04) 2 1/4" CS Stem Extension	1/4" - 2"
• (-07) Steel Tee Handle	1/4" - 2"
• (-08) 90° Reversed Stem	1/4" - 4"
• (-10) SS Lever & Nut	1/4" - 4"
• (-11) Therma-Seal® 2 1/4" Tee Handle	1/4" - 2"
• (-14) Side Vented Ball (Uni-Directional)	1/4" - 4"
• (-15) Wheel Handle, Steel	1/4" - 2"
• (-16) Chain Lever-Vertical	1/2" - 2"
• (-18) Plain Yellow Grip	1/4" - 2"
• (-19) Lock Plate	1/4" - 2"*
• (-20) Slot Vented Ball	1/4" - 4"*
• (-21) UHMWPE Trim (Non-PTFE)	1/4" - 4"
• (-24) Graphite Packing	1/4" - 4"
• (-27) SS Latch-Lock Lever & Nut	1/2" - 2"
• (-30) Cam-Lock & Grounded	1/4" - 1 1/4"
• (-32) SS Tee Handle & Nut	1/4" - 2"
• (-35) PTFE Trim	1/4" - 4"
• (-39) SS Hi-Rise Locking Wheel Handle & Nut	1/4" - 1 1/4"
• (-40) Cyl-Loc & Grounded	1/4" - 1/2"
• (-45) Less Lever & Nut	1/4" - 4"
• (-46) Latch Lock Lever-Lock Closed Position Only	1/2" - 2"
• (-47) SS Oval Latch-Lock Handle & Nut	1/4" - 3/4"
• (-48) SS Oval Handle (No Latch) & Nut	1/4" - 2"
• (-49) Assembled Dry	1/4" - 4"
• (-50) 2-1/4" CS Locking Stem Extension	1/4" - 2"
• (-56) MPTFE Seats and Packing	1/4" - 4"
• (-57) Oxygen Cleaned	1/4" - 4"
• (-58) Chain Lever-Horizontal	3/4" - 2"
• (-59) SS External Trim	3/4" - 4"
• (-60) Static Grounded Ball & Stem	1/4" - 4"
• (-62) Body center section only	1/4" - 4"
• (-63) NPT x Solder	3/8" - 4"
• (-92) Balancing Stop	1/4" - 2"
• (-93) -03 Option & Balancing Stop	1/4" - 2"
• (-94) -04 Option & Balancing Stop	1/4" - 2"

* Options -19 & -20 are standard with 3 & 4" 82A-100 series

Apollo Valves, Manufactured by **Conbraco Industries, Inc.**
701 Matthews Mint-Hill Road, Matthews, NC 28105 USA
www.apollovalves.com | (704) 841-6000

This specification is provided for reference only. Conbraco Industries Inc. reserves the right to change any portion of this specification without notice and without incurring obligation to make such changes to Conbraco products previously or subsequently sold. Please visit our website @ www.apollovalves.com for the most current information.

