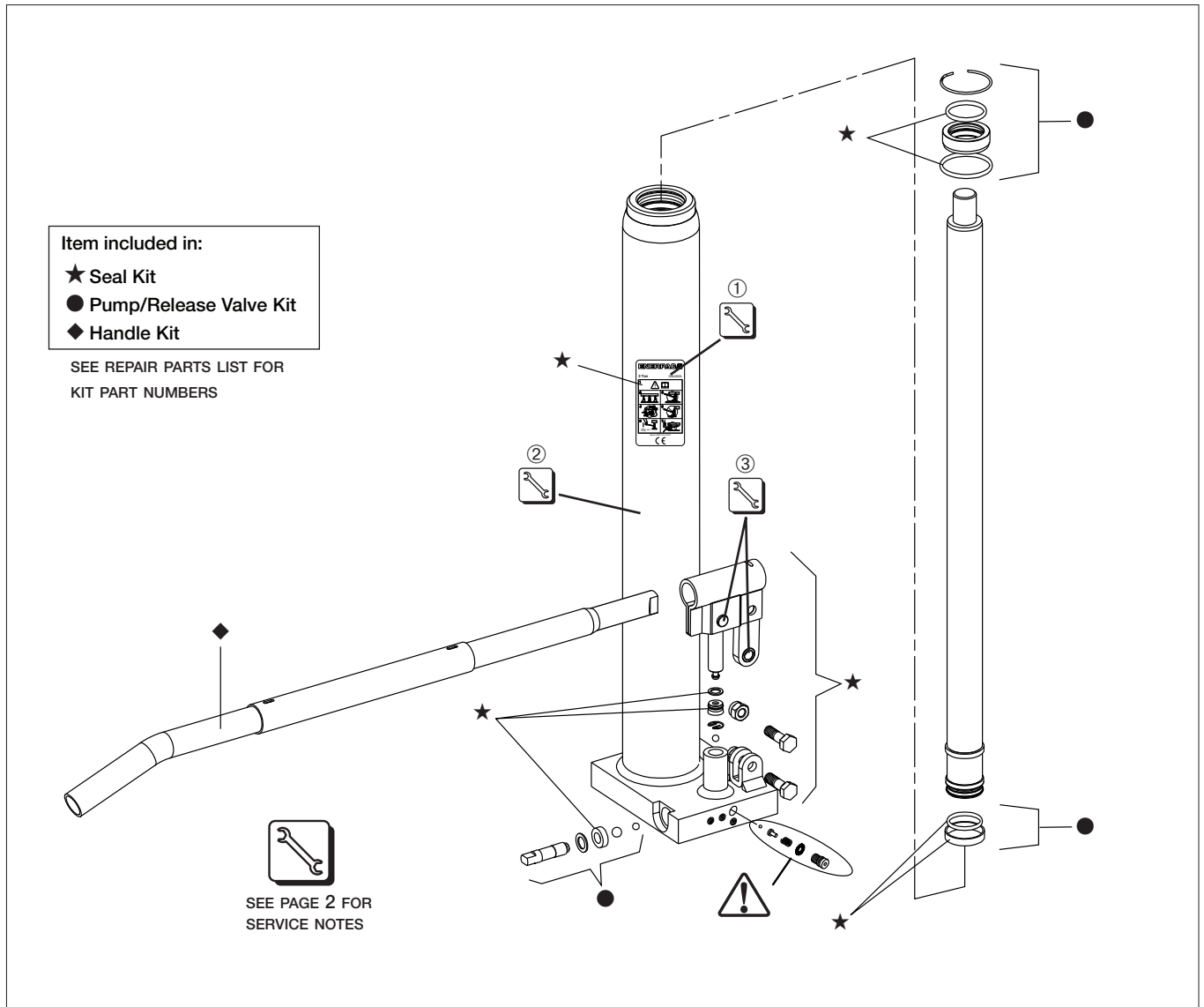


Repair Parts Sheet	Revision	Revision Date	Product Date Code Beginning With
L4275	Rev. A	07/2020	A



Repair Parts List		L4002
Item	Part Number	Description
★	GBJK2A	Seal Kit
●	GBJK1A	Pump/Relief Valve Kit
◆	RHA-550	Handle Kit

Notes:

- Jack components are available only in kits and are not sold separately.
- Items not identified in graphic above are NOT AVAILABLE for purchase.



WARNING: DO NOT adjust the emergency relief valve setting. If required, adjustments should be made **ONLY** by an Enerpac authorized service center.



Service Information Repair Parts Sheet L4275

Note: See graphic on page 1 for service item locations	
Service Item	Action / Comment
①	Replace decal if worn or unreadable. Note: The GBJK5 seal kit contains two decals. Be sure to use the 2 Ton decal.
②	Approximate oil capacity with jack in upright position, ram fully retracted and oil level up to oil fill hole: 160 cc (5.41 fluid ounces). Important: <ul style="list-style-type: none">• Be sure ram is fully retracted before checking oil level or adding additional oil.• Use only Enerpac HF Series hydraulic oil.• Jack hydraulic reservoir is full when oil level is up to - but not above - the oil fill hole. Do not overfill!
③	Apply lubricating oil to pins and linkage.



To maintain your warranty:

- Use only Enerpac Oil
- Have your products inspected and repaired by an Enerpac Authorized Service Center

ENERPAC 