



**15301963**  
Edition 1  
March 2009

# Lubricator Assembly

**3000 Series**

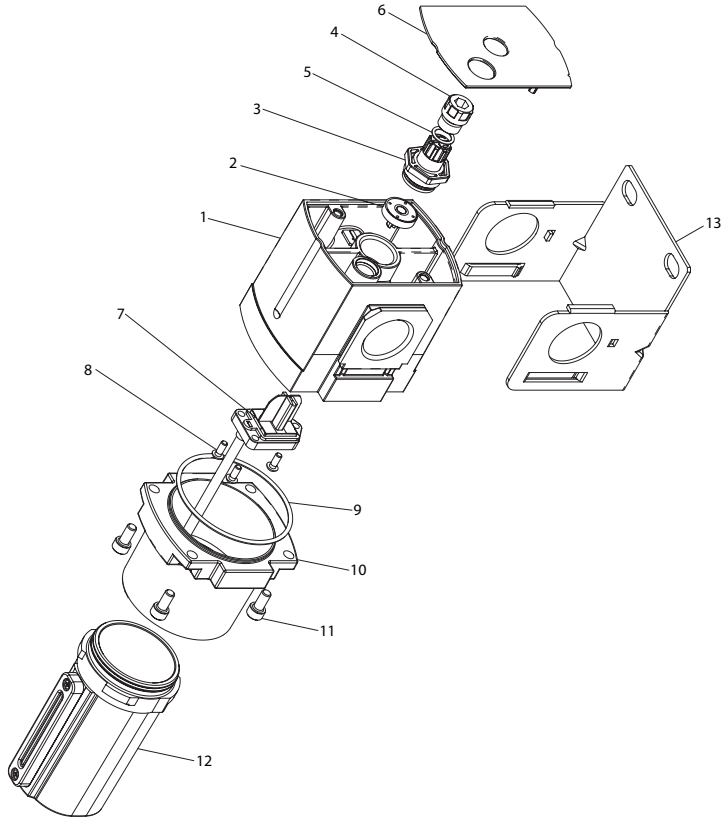
---

## Parts Information



Save These Instructions

## Lubricator Assembly 3000 Series L364X1-XXX Exploded Diagram

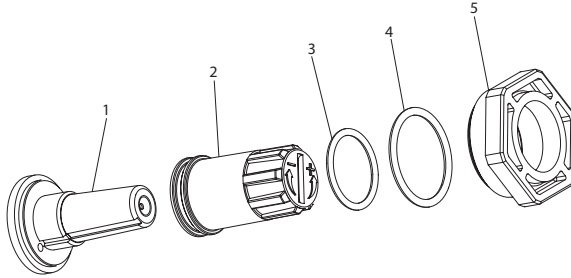


(Dwg. 15322001)

## Lubricator Assembly 3000 Series L364X1-XXX Parts List

Item	Part Description	Material	Part Number
1	Lubricator Body		
	3/4" NPT (L36451-XXX)	Aluminum	---
	1" NPT (L36461-XXX)		---
	3/4" BSP (L364E1-XXX)		---
	1" BSP (L364F1-XXX)		---
	---		
2	Nozzle Sheet	Nitrile	---
3	Sight Dome Assembly	---	---
4	Fill Cap	Acetal	---
5	Fill Cap "O" Ring	Nitrile	---
6	Upper Cover (L)	Nylon	---
7	Damper Guide Assembly	---	---
8	Damper Guide Screw	Steel	---
9	Coupler	Aluminum	---
10	Coupler "O" Ring	Nitrile	---
11	Coupler Screw	Steel	---
12	Metal Bowl Assembly		
	W/O Sight Glass	---	104337
	With Sight Glass	---	104338
13	C-Bracket	Steel	104410
	Service Kit (Includes Items: 2, 3, 4, 5, 7 and Bowl "O" Ring)	---	104465
	Sight Dome Repair Kit (Includes Items 2 and 3)	---	104466

## Sight Dome Assembly 3000 Series L364X1-XXX Exploded Diagram

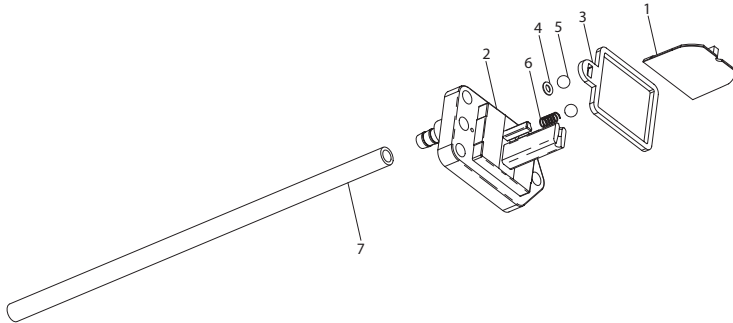


(Dwg. 15322076)

## Sight Dome Assembly 3000 Series L364X1-XXX Parts List

Item	Part Description	Material	Part Number
1	Inner Sight Dome	Nylon	---
2	Outer Sight Dome		---
3	Outer Sight Dome "O" Ring	Nitrile	---
4	Inner Sight Dome "O" Ring		---
5	Sight Dome Housing	Nylon	---

## Damper Guide Assembly 3000 Series L364X1-XXX Exploded Diagram

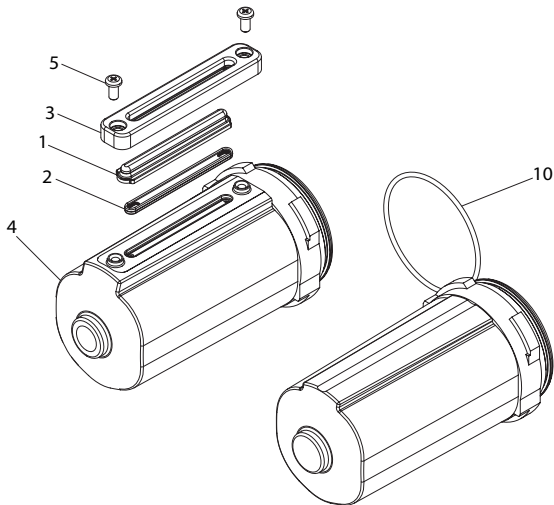


(Dwg. 15322084)

## Damper Guide Assembly 3000 Series L364X1-XXX Parts List

Item	Part Description	Material	Part Number
1	Damper	Nitrile	---
2	Damper Guide	Acetal	---
3	Damper Guide Gasket	Nitrile	---
4	Check Ball "O" Ring		---
6	Check Ball Spring	Stainless Steel	---
7	Siphon Tube	Urethane	---

## Metal Bowl Assembly 3000 Series L364X1-XXX Exploded Diagram



(Dwg. 15322035)

### Metal Bowl Assembly 3000 Series L364X1-XXX Parts List

Item	Part Description	Material	Part Number
1	Sight Glass	Nylon	---
2	Sight Glass Gasket	Nitrile	---
3	Sight Cover	Aluminum	---
4	Metal Bowl	Aluminum	---
	W/O Sight Glass (Includes Items 10)		
	With Sight Glass (Includes Items 1, 2, 3, 5 and 10)		104338
5	Bolt	Steel	---
10	Bowl "O" Ring	Nitrile	---

### Parts and Maintenance

When the life of the tool has expired, it is recommended that the tool be disassembled, degreased and parts be separated by material so that they can be recycled.

Tool repair and maintenance should only be carried out by an authorized Service Center.

Refer all communications to the nearest **Ingersoll Rand** Office or Distributor.

### Related Documentation

For additional information refer to:

Product Safety Information Manual 15301765.

Product Information Manual 15301773.

Maintenance Information Manual 15301781.

Manuals can be downloaded from [fluids.ingersollrand.com](http://fluids.ingersollrand.com).

Part No. 100400-73

[fluids.ingersollrand.com](http://fluids.ingersollrand.com)

© 2009 **Ingersoll Rand** Company

