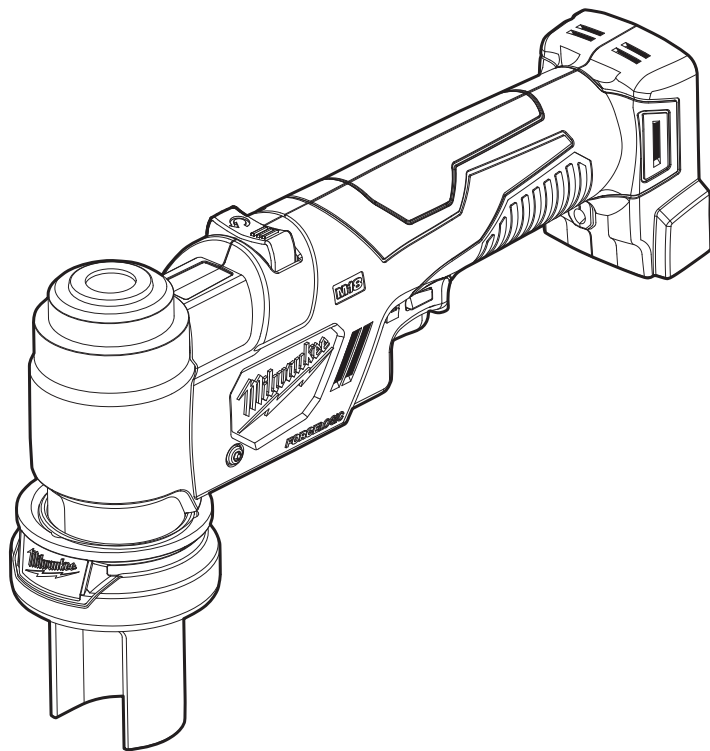







OPERATOR'S MANUAL
MANUEL de L'UTILISATEUR
MANUAL del OPERADOR



Cat. No. / No de cat.
2677-20

M18™ 6-TON KNOCKOUT TOOL
OUTIL DE PERFORATION 6 TONNES M18™
HERRAMIENTA PERFORADORA M18™ DE 6 TONELADAS

 **WARNING** To reduce the risk of injury, user must read and understand operator's manual.
 **AVERTISSEMENT** Afin de réduire le risque de blessures, l'utilisateur doit lire et bien comprendre le manuel.
 **ADVERTENCIA** Para reducir el riesgo de lesiones, el usuario debe leer y entender el manual.

GENERAL POWER TOOL SAFETY WARNINGS

WARNING Read all safety warnings, instructions, illustrations and specifications provided with this power tool. Failure to follow all instructions listed below may result in electric shock, fire and/or serious injury. **Save all warnings and instructions for future reference.** The term "power tool" in the warnings refers to your mains-operated (corded) power tool or battery-operated (cordless) power tool.

WORK AREA SAFETY

- **Keep work area clean and well lit.** Cluttered or dark areas invite accidents.
- **Do not operate power tools in explosive atmospheres, such as in the presence of flammable liquids, gases or dust.** Power tools create sparks which may ignite the dust or fumes.
- **Keep children and bystanders away while operating a power tool.** Distractions can cause you to lose control.

ELECTRICAL SAFETY

- **Power tool plugs must match the outlet. Never modify the plug in any way. Do not use any adapter plugs with earthed (grounded) power tools.** Unmodified plugs and matching outlets will reduce risk of electric shock.
- **Avoid body contact with earthed or grounded surfaces, such as pipes, radiators, ranges and refrigerators.** There is an increased risk of electric shock if your body is earthed or grounded.
- **Do not expose power tools to rain or wet conditions.** Water entering a power tool will increase the risk of electric shock.
- **Do not abuse the cord. Never use the cord for carrying, pulling or unplugging the power tool. Keep cord away from heat, oil, sharp edges or moving parts.** Damaged or entangled cords increase the risk of electric shock.
- **When operating a power tool outdoors, use an extension cord suitable for outdoor use.** Use of a cord suitable for outdoor use reduces the risk of electric shock.
- **If operating a power tool in a damp location is unavoidable, use a ground fault circuit interrupter (GFCI) protected supply.** Use of an GFCI reduces the risk of electric shock.

PERSONAL SAFETY

- **Stay alert, watch what you are doing and use common sense when operating a power tool. Do not use a power tool while you are tired or under the influence of drugs, alcohol or medication.** A moment of inattention while operating power tools may result in serious personal injury.
- **Use personal protective equipment. Always wear eye protection.** Protective equipment such as a dust mask, non-skid safety shoes, hard hat or hearing protection used for appropriate conditions will reduce personal injuries.
- **Prevent unintentional starting. Ensure the switch is in the off-position before connecting to power source and/or battery pack, picking up or carrying the tool.** Carrying power tools with your finger on the switch or energizing power tools that have the switch on invites accidents.
- **Remove any adjusting key or wrench before turning the power tool on.** A wrench or a key left attached to a rotating part of the power tool may result in personal injury.
- **Do not overreach. Keep proper footing and balance at all times.** This enables better control of the power tool in unexpected situations.

- **Dress properly. Do not wear loose clothing or jewelry. Keep your hair and clothing away from moving parts.** Loose clothes, jewelry or long hair can be caught in moving parts.
- **If devices are provided for the connection of dust extraction and collection facilities, ensure these are connected and properly used.** Use of dust collection can reduce dust-related hazards.
- **Do not let familiarity gained from frequent use of tools allow you to become complacent and ignore tool safety principles.** A careless action can cause severe injury within a fraction of a second.

POWER TOOL USE AND CARE

- **Do not force the power tool. Use the correct power tool for your application.** The correct power tool will do the job better and safer at the rate for which it was designed.
- **Do not use the power tool if the switch does not turn it on and off.** Any power tool that cannot be controlled with the switch is dangerous and must be repaired.
- **Disconnect the plug from the power source and/or remove the battery pack, if detachable, from the power tool before making any adjustments, changing accessories, or storing power tools.** Such preventive safety measures reduce the risk of starting the power tool accidentally.
- **Store idle power tools out of the reach of children and do not allow persons unfamiliar with the power tool or these instructions to operate the power tool.** Power tools are dangerous in the hands of untrained users.
- **Maintain power tools and accessories. Check for misalignment or binding of moving parts, breakage of parts and any other condition that may affect the power tool's operation. If damaged, have the power tool repaired before use.** Many accidents are caused by poorly maintained power tools.
- **Keep cutting tools sharp and clean.** Properly maintained cutting tools with sharp cutting edges are less likely to bind and are easier to control.
- **Use the power tool, accessories and tool bits etc. in accordance with these instructions, taking into account the working conditions and the work to be performed.** Use of the power tool for operations different from those intended could result in a hazardous situation.
- **Keep handles and grasping surfaces dry, clean and free from oil and grease.** Slippery handles and grasping surfaces do not allow for safe handling and control of the tool in unexpected situations.

BATTERY TOOL USE AND CARE

- **Recharge only with the charger specified by the manufacturer.** A charger that is suitable for one type of battery pack may create a risk of fire when used with another battery pack.
- **Use power tools only with specifically designated battery packs.** Use of any other battery packs may create a risk of injury and fire.
- **When battery pack is not in use, keep it away from other metal objects, like paper clips, coins, keys, nails, screws or other small metal objects, that can make a connection from one terminal to another.** Shorting the battery terminals together may cause burns or a fire.
- **Under abusive conditions, liquid may be ejected from the battery; avoid contact.** If contact accidentally occurs, flush with water. If liquid contacts eyes, additionally seek medical help. Liquid ejected from the battery may cause irritation or burns.
- **Do not use a battery pack or tool that is damaged or modified.** Damaged or modified batteries may exhibit

unpredictable behavior resulting in fire, explosion or risk of injury.

- **Do not expose a battery pack or tool to fire or excessive temperature.** Exposure to fire or temperature above 265°F (130°C) may cause explosion.
- **Follow all charging instructions and do not charge the battery pack or tool outside the temperature range specified in the instructions.** Charging improperly or at temperatures outside the specified range may damage the battery and increase the risk of fire.

SERVICE

- **Have your power tool serviced by a qualified repair person using only identical replacement parts.** This will ensure that the safety of the power tool is maintained.
- **Never service damaged battery packs.** Service of battery packs should only be performed by the manufacturer or authorized service providers.

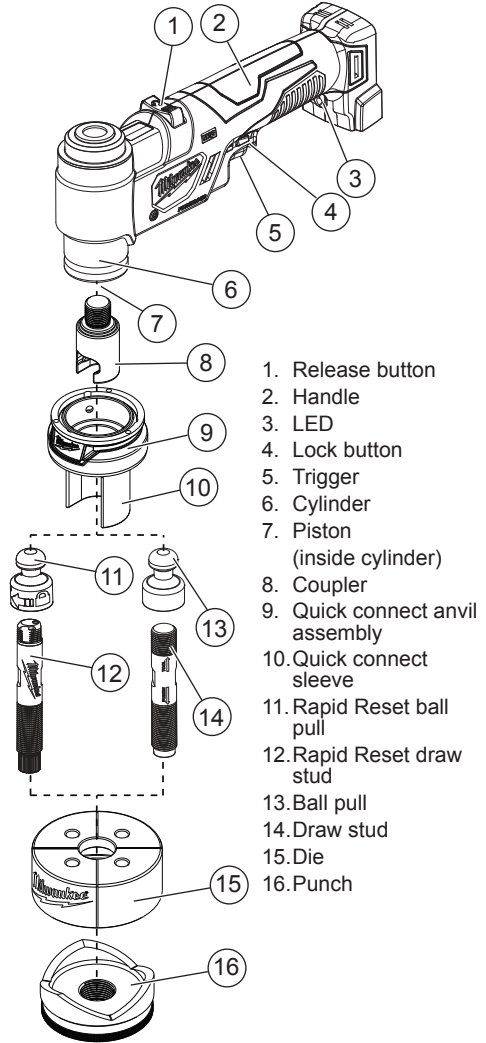
SPECIFIC SAFETY RULES FOR KNOCKOUT TOOL

- **Use tool only as directed. Only trained personnel should operate tool.**
- **Do not use in or near live electrical panels.** Only work on de-energized electrical panels. Disconnect all electrical current before use to avoid the risk of electric shock.
- **Keep hands away from knockout die and punch while tool is in use.** Fingers could be crushed or severed.
- **To reduce the risk of injury, wear safety goggles or glasses with side shields. Before use, inspect and discard workpieces and accessories with cracks or damage.** Shards from weakened metal could cause injury.
- **Avoid contact with punched metal edges.** Edges may be sharp and could cause injury.
- **Do not attempt to punch through more than one layer of material at a time.** Punching through multiple layers could cause the material and accessories to warp break, throwing shards that could cause injury.
- **Use tool only with knockout dies and punches rated for the peak output force of this tool.** Other uses may cause injury or damage to the tool, accessories, and workpiece.
- **Maintain labels and nameplates.** These carry important information. If unreadable or missing, contact a MILWAUKEE service facility for a free replacement.
- **⚠️ WARNING** Some dust created by power sanding, sawing, grinding, drilling, and other construction activities contains chemicals known to cause cancer, birth defects or other reproductive harm. Some examples of these chemicals are:
 - lead from lead-based paint
 - crystalline silica from bricks and cement and other masonry products, and
 - arsenic and chromium from chemically-treated lumber.
 Your risk from these exposures varies, depending on how often you do this type of work. To reduce your exposure to these chemicals: work in a well ventilated area, and work with approved safety equipment, such as those dust masks that are specially designed to filter out microscopic particles.

SPECIFICATIONS

Cat. No.	2677-20
Volts	18 DC
Battery Type	M18™
Charger Type	M18™
Peak Output Force	6.7 Tons
Material Capacities *	
4" Conduit Holes	14 ga Mild Steel
2" Conduit Holes	14 ga Stainless Steel
	*See chart on back of manual

FUNCTIONAL DESCRIPTION



1. Release button
2. Handle
3. LED
4. Lock button
5. Trigger
6. Cylinder
7. Piston (inside cylinder)
8. Coupler
9. Quick connect anvil assembly
10. Quick connect sleeve
11. Rapid Reset ball pull
12. Rapid Reset draw stud
13. Ball pull
14. Draw stud
15. Die
16. Punch

SYMBOLGY

- Volts
- Direct Current
- UL Listing for Canada and U.S.
- ⚠️ WARNING** Risk of electric shock. Do not use in or near live electrical panels.
- ⚠️ WARNING** Keep hands away from punch and die. Fingers could be crushed or severed.
- Release button
- Always wear eye protection
- Read Operator's Manual

ASSEMBLY

⚠WARNING Recharge only with the charger specified for the battery. For specific charging instructions, read the operator's manual supplied with your charger and battery.

Removing/Inserting the Battery

To remove the battery, push in the release buttons and pull the battery pack away from the tool.

⚠WARNING Always remove battery pack before changing or removing accessories.

To insert the battery, slide the pack into the body of the tool. Make sure it latches securely into place.

⚠WARNING Only use accessories specifically recommended for this tool. Others may be hazardous.

Assembling the Draw Stud and Ball Pull

Determine whether to use the Rapid Reset Draw Stud Set or the standard draw stud/ball pull. **NOTE:** The Rapid Reset Draw Stud Set cannot be used without the Quick Connect Assembly.

Rapid Reset Draw Stud Set

1. Insert the short-grooved end of the draw stud into the ball pull.
2. Turn the draw stud slightly to lock into the ball pull. The draw stud will "click" into place.

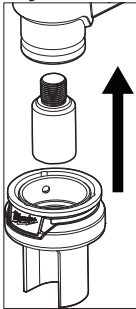
Standard Draw Stud and Ball Pull

1. Insert the short-threaded end of the draw stud into the ball pull.
2. Screw the draw stud into the ball pull. Tighten securely.

Installing/Removing the Quick Connect Assembly

The Knockout Tool can be used with the Quick Connect Assembly, or with the standard draw stud screwed directly into the tool.

1. Remove the battery pack.
2. Screw the coupler into the piston. Hand-tighten securely.
3. Place the Quick Connect Assembly over the collar of the tool. Pull back on the sleeve and slide over the collar. Release the sleeve.
4. To remove the Quick Connect Assembly, reverse the procedure.



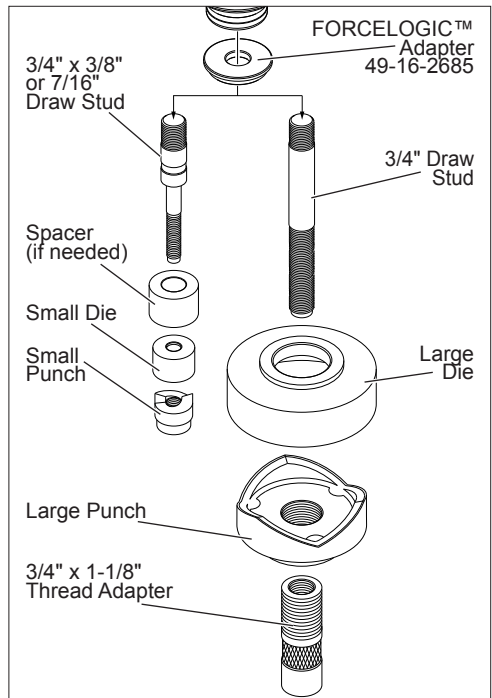
Installing/Removing the Draw Stud

In some circumstances, such as working in tight spaces, it may be necessary to use the Knockout Tool without the Quick Connect Assembly.

1. Remove the battery pack.
2. Remove the Quick Connect Assembly.
3. Screw the standard draw stud directly into the piston. Hand tighten securely. **NOTE:** The Rapid Reset Draw Stud Set cannot be used without the Quick Connect Assembly.
4. To remove the draw stud, unscrew from the piston.

FORCELOGIC™ Adapter (some models)

Use the MILWAUKEE FORCELOGIC™ Adapter (Cat. No. 49-16-2685) to properly fit other major brands of small and large punches and dies. Use with other major brand draw studs and spacers, as required.



OPERATION

⚠WARNING Always remove battery pack before changing or removing accessories. Only use accessories specifically recommended for this tool. Others may be hazardous. To reduce the risk of injury, wear safety goggles or glasses with side shields.

To reduce the risk of injury, ensure all threads are hand-tightened securely before operating knockout tool.

Punching

- Before beginning a punch, inspect and discard material and accessories with cracks or other damage.
- Before beginning a punch, check the fuel gauge to determine whether the battery charge is sufficient to complete the operation.
- Do not attempt to punch through more than one layer of material at a time.
- Press the release button on the tool to ensure it is ready for operation.
- After 5000 punches, return the tool to a MILWAUKEE service facility for inspection and maintenance.

Preparing the Material

1. Select the appropriate punch, die and draw stud for the application. See "Accessories" for chart.
2. Draw cross-hairs to mark the exact location of the pilot hole.
3. Drill the pilot hole slightly larger than the draw stud.

Using the Quick Connect Assembly

- Slide the draw stud through the die, then through the material.
- Place the punch under/behind the material and screw onto the draw stud.
- Line up cross hairs on the die with those used to locate the pilot hole on the material. Tighten the punch and die securely against each side of the material to hold the assembly in place.

- Rotate the quick connect sleeve to access the opening in the coupler.
- Slide the coupler around the ball pull.
- Rotate the sleeve to lock the ball pull into the coupler.



Punching the Material

- Grasp the handle firmly and ensure hands and body are away from the punch and die.
- Pull the trigger.
- When the operation is complete, release the trigger.
- Push the release button.
- Rotate the quick connect sleeve and remove the ball pull from the coupler.
- When using the Rapid Reset Draw Stud Set, unconnect the ball pull from the draw stud. When using the standard draw stud and ball pull, unscrew the punch from the draw stud.
- Remove the material. Use caution as the material edges may be sharp.

Punching without the Quick Connect Assembly

- Prepare the material as above.
- Slide the draw stud through the die, then through the material.
- Place the punch under/behind the material and screw onto the draw stud.
- Line up cross hairs on the die with those used to locate the pilot hole on the material. Tighten the punch and die securely against each side of the material to hold the assembly in place.
- Grasp the handle firmly and ensure hands and body are away from the punch and die.
- Pull the trigger.
- When the operation is complete, release the trigger.
- Push the release button.
- Unscrew the punch from the draw stud and remove the material. Use caution as the material edges may be sharp.

MAINTENANCE

WARNING To reduce the risk of injury, always unplug the charger and remove the battery pack from the charger or tool before performing any maintenance. Never disassemble the tool, battery pack or charger. Contact a MILWAUKEE service facility for ALL repairs.

Maintaining Tool

Keep your tool, battery pack and charger in good repair by adopting a regular maintenance program. Inspect your tool for issues such as undue noise, misalignment or binding of moving parts, breakage of parts, or any other condition that may affect the tool operation. Return the tool, battery pack, and charger to a MILWAUKEE service facility for repair. After six months to one year, depending on use, return the tool, battery pack and charger to a MILWAUKEE service facility for inspection.

If the tool does not start or operate at full power with a fully charged battery pack, clean the contacts on the battery pack. If the tool still does not work properly, return the tool, charger and battery pack, to a MILWAUKEE service facility for repairs.

WARNING To reduce the risk of personal injury and damage, never immerse your tool, battery pack or charger in liquid or allow a liquid to flow inside them.

Cleaning

Clean dust and debris from vents. Keep handles clean, dry and free of oil or grease. Use only mild soap and a damp cloth to clean, since certain cleaning agents and solvents are harmful to plastics and other insulated parts. Some of these include gasoline, turpentine, lacquer thinner, paint thinner, chlorinated cleaning solvents, ammonia and household detergents containing ammonia. Never use flammable or combustible solvents around tools.

Repairs

For repairs, return the tool, battery pack and charger to the nearest service center.

ACCESSORIES

WARNING Use only recommended accessories. Others may be hazardous.

For a complete listing of accessories, go online to www.milwaukeetool.com or contact a distributor.

SERVICE - UNITED STATES

1-800-SAWDUST (1.800.729.3878)

Monday-Friday, 7:00 AM - 6:30 PM CST

or visit www.milwaukeetool.com

Contact Corporate After Sales Service Technical Support with technical, service/repair, or warranty questions.

Email: metproductsupport@milwaukeetool.com

Become a Heavy Duty Club Member at www.milwaukeetool.com to receive important notifications regarding your tool purchases.

SERVICE - CANADA

Milwaukee Tool (Canada) Ltd

1.800.268.4015

Monday-Friday, 7:00 AM - 4:30 PM CST

or visit www.milwaukeetool.ca

LIMITED WARRANTY USA & CANADA

Every MILWAUKEE power tool* (see exceptions below) is warranted to the original purchaser only to be free from defects in material and workmanship. Subject to certain exceptions, MILWAUKEE repair or replace any part on an electric power tool which, after examination, is determined by MILWAUKEE to be defective in material or workmanship for a period of five (5) years** after the date of purchase unless otherwise noted. Return of the power tool to a MILWAUKEE factory Service Center location or MILWAUKEE Authorized Service Station, freight prepaid and insured, is required. A copy of the proof of purchase should be included with the return product. This warranty does not apply to damage that MILWAUKEE determines to be from repairs made or attempted by anyone other than MILWAUKEE authorized personnel, misuse, alterations, abuse, normal wear and tear, lack of maintenance, or accidents.

Normal Wear: Many power tools need periodic parts replacement and service to achieve best performance. This warranty does not cover repair when normal use has exhausted the life of a part including, but not limited to, chucks, brushes, cords, saw shoes, blade clamps, o-rings, seals, bumpers, driver blades, pistons, strikers, lifters, and bumper cover washers.

*This warranty does not cover Air Nailers & Staplers; Airless Paint Sprayer; Cordless Battery Packs; Gasoline Driven Portable Power Generators; Hand Tools; Hoist - Electric, Lever & Hand Chain; M12™ Heated Gear, Reconditioned Product, and Test & Measurement Products. There are separate and distinct warranties available for these products.

**The warranty period for Job Site Radios, M12™ Power Port, M18™ Power Source, Jobsite Fan and Trade Titan™ Industrial Work Carts is one (1) year from the date of purchase. The warranty period for the Cables for the Drain Snake is two (2) years from the date of purchase. The warranty period for the LED in the LED Work Light and the LED Upgrade Bulb for the Work Light is the lifetime of the product subject to the limitations above. If during normal use the LED or LED Bulb fails, the part will be replaced free of charge. Warranty Registration is not necessary to obtain the applicable warranty on a MILWAUKEE power tool product. The manufacturing date of the product will be used to determine the warranty period if no proof of purchase is provided at the time warranty service is requested.

ACCEPTANCE OF THE EXCLUSIVE REPAIR AND REPLACEMENT REMEDIES DESCRIBED HEREIN IS A CONDITION OF THE CONTRACT FOR THE PURCHASE OF EVERY MILWAUKEE PRODUCT. IF YOU DO NOT AGREE TO THIS CONDITION, YOU SHOULD NOT PURCHASE THE PRODUCT. IN NO EVENT WILL MILWAUKEE BE LIABLE FOR ANY INCIDENTAL, SPECIAL, CONSEQUENTIAL OR PUNITIVE DAMAGES, OR FOR ANY COSTS, ATTORNEY FEES, EXPENSES, LOSSES OR DELAYS ALLEGED TO BE A CONSEQUENCE OF ANY DAMAGE TO, FAILURE OF, OR DEFECT IN ANY PRODUCT INCLUDING, BUT NOT LIMITED TO, ANY CLAIMS FOR LOSS OF PROFITS. SOME STATES DO NOT ALLOW THE EXCLUSION OR LIMITATION OF INCIDENTAL OR CONSEQUENTIAL DAMAGES, SO THE ABOVE LIMITATION OR EXCLUSION MAY NOT APPLY TO YOU. THIS WARRANTY IS EXCLUSIVE AND IN LIEU OF ALL OTHER EXPRESS WARRANTIES, WRITTEN OR ORAL, TO THE EXTENT PERMITTED BY LAW. MILWAUKEE DISCLAIMS ANY IMPLIED WARRANTIES, INCLUDING BUT NOT LIMITED TO, ANY IMPLIED WARRANTY OF MERCHANTABILITY OR FITNESS FOR A PARTICULAR USE OR PURPOSE; TO THE EXTENT SUCH DISCLAIMER IS NOT PERMITTED BY LAW, SUCH IMPLIED WARRANTIES ARE LIMITED TO THE DURATION OF THE APPLICABLE EXPRESS WARRANTY AS DESCRIBED ABOVE. SOME STATES DO NOT ALLOW LIMITATIONS ON HOW LONG AN IMPLIED WARRANTY LASTS, SO THE ABOVE LIMITATION MAY NOT APPLY TO YOU. THIS WARRANTY GIVES YOU SPECIFIC LEGAL RIGHTS, AND YOU MAY ALSO HAVE OTHER RIGHTS WHICH VARY FROM STATE TO STATE. This warranty applies to product sold in the U.S.A. and Canada only.

Please consult the "Service Center Search" in the Parts & Service section of MILWAUKEE website www.milwaukeeetool.com or call 1.800.SAWDUST (1.800.729.3878) to locate your nearest service facility for warranty and non-warranty service on a Milwaukee electric power tool.

LIMITED WARRANTY - MEXICO, CENTRAL AMERICA & CARIBBEAN

TECHTRONIC INDUSTRIES' warranty is for 5 year since the original purchase date. This warranty card covers any defect in material and workmanship on this Power Tool.

To make this warranty valid, present this warranty card, sealed/stamped by the distributor or store where you purchased the product, to the Authorized Service Center (ASC). Or, if this card has not been sealed/stamped, present the original proof of purchase to the ASC. Call toll-free 1 800 832 1949 to find the nearest ASC, for service, parts, accessories or components.

Procedure to make this warranty valid

Take this product to the ASC, along with the warranty card sealed/stamped by the distributor or store where you purchased the product, and there any faulty piece or component will be replaced without cost for you. We will cover all freight costs relative with this warranty process.

Exceptions

This warranty is not valid in the following situations:

- When the product is used in a different manners from the end-user guide or instruction manual.
- When the conditions of use are not normal.
- When the product was modified or repaired by people not authorized by TECHTRONIC INDUSTRIES.

Note: If cord set is damaged, it should be replaced by an Authorized Service Center to avoid electric risks.

SERVICE AND ATTENTION CENTER:

Presidente Masarik No.29 Piso 7

Col. Polanco V Seccion

Miguel Hidalgo C.P.11560 Mexico, DF.

PH: 52 55 4160-3547

IMPORTED AND COMMERCIALIZED BY:

TECHTRONIC INDUSTRIES MEXICO, S.A. DE C.V.

Presidente Masarik No.29 Piso 7

Col. Polanco V Seccion

Miguel Hidalgo C.P.11560 Mexico, DF.

Model: _____

Date of Purchase: _____

Distributor or Store Stamp: _____

RÈGLES DE SÉCURITÉ GÉNÉRALES RELATIVES AUX OUTILS ÉLECTRIQUES

AVERTISSEMENT Lire toutes les consignes de sécurité, consignes, illustrations et spécifications fournies avec cet outil électrique. Ne pas suivre l'ensemble des règles

et instructions peut entraîner une électrocution, un incendie ou des blessures graves. **Conserver les règles et les instructions à des fins de référence ultérieure.** Le terme «outil électrique» figurant dans les avertissements ci-dessous renvoie à l'outil électrique à alimentation par le réseau (à cordon) ou par batterie (sans fil).

SÉCURITÉ DU LIEU DE TRAVAIL

- **Veillez à ce que l'aire de travail soit propre et bien éclairée.** Le désordre et le manque de lumière favorisent les accidents.
- **Ne pas utiliser d'outils électriques dans des atmosphères explosives, par exemple en présence de liquides, gaz ou poussières inflammables.** Les outils électriques produisent des étincelles risquant d'enflammer les poussières ou vapeurs.
- **S'assurer que les enfants et les curieux se trouvent à une bonne distance au moment d'utiliser un outil électrique.** Les distractions peuvent causer une perte de contrôle.

SÉCURITÉ ÉLECTRIQUE

- **Les fiches des outils électriques doivent correspondre à la prise secteur utilisée. Ne jamais modifier la fiche, de quelque façon que ce soit. Ne jamais utiliser d'adaptateurs de fiche avec des outils mis à la terre.** Les fiches et prises non modifiées réduisent le risque de choc électrique.
- **Éviter tout contact avec des surfaces mises à la terre comme des tuyaux, des radiateurs, des cuisinières et des réfrigérateurs.** Le risque de choc électrique est accru lorsque le corps est mis à la terre.
- **Ne pas exposer les outils électriques à l'eau ou l'humidité.** La pénétration d'eau dans ces outils accroît le risque de choc électrique.
- **Ne pas maltraiter le cordon d'alimentation. Ne jamais utiliser le cordon d'alimentation pour transporter l'outil électrique et ne jamais débrancher ce dernier en tirant sur le cordon. Garder le cordon à l'écart de la chaleur, de l'huile, des objets tranchants et des pièces en mouvement.** Un cordon endommagé ou emmêlé accroît le risque de choc électrique.
- **Pour les travaux à l'extérieur, utiliser un cordon spécialement conçu à cet effet.** Utiliser un cordon conçu pour l'usage extérieur réduit les risques de choc électrique.
- **Si l'utilisation d'un outil électrique est inévitable dans un endroit humide, utiliser une source d'alimentation munie d'un disjoncteur de fuite de terre.** L'utilisation d'un disjoncteur de fuite de terre réduit le risque de choc électrique.

SÉCURITÉ INDIVIDUELLE

- **Rester attentif, prêter attention au travail et faire preuve de bon sens lors de l'utilisation de tout outil électrique. Ne pas utiliser cet appareil en cas de fatigue ou sous l'influence de l'alcool, de drogues ou de médicaments.** Un moment d'inattention pendant l'utilisation d'un outil électrique peut entraîner des blessures graves.
- **Porter l'équipement de protection individuel requis. Toujours porter une protection oculaire.** Selon les conditions, porter aussi un masque antipoussières, des bottes de sécurité antidérapantes, un casque protecteur ou une protection auditive afin de réduire les blessures.
- **Empêcher les démarrages accidentels. S'assurer que la gâchette est en position d'arrêt avant de brancher l'outil à une source de courant, d'insérer la batterie, de le ramasser ou de le transporter.** Le fait de transporter un outil électrique en gardant le doigt sur la gâchette ou de mettre sous tension un outil électrique lorsque la gâchette est en position de marche favorise les accidents.
- **Retirer les clés de réglage avant de mettre l'outil**

en marche. Une clé laissée sur une pièce rotative de l'outil peut causer des blessures.

- **Ne pas travailler hors de portée. Toujours se tenir bien campé et en équilibre.** Une bonne stabilité procure un meilleur contrôle de l'outil électrique en cas d'imprévu.
- **Porter une tenue appropriée. Ne porter ni vêtements amples, ni bijoux. Garder les cheveux et les vêtements à l'écart des pièces en mouvement.** Les vêtements flottants, les bijoux ou les cheveux longs risquent d'être happés par les pièces en mouvement.
- **Si les outils sont équipés de dispositifs de dépoussiérage, s'assurer qu'ils sont connectés et correctement utilisés.** L'utilisation d'un collecteur de poussière permet de réduire les dangers liés à la poussière.
- **Ne pas laisser la familiarité avec l'outil acquise par une utilisation fréquente vous rendre suffisant et vous amener à ignorer les règles de sécurité.** Une utilisation négligée peut causer une blessure grave en une fraction de seconde.

UTILISATION ET ENTRETIEN DE L'OUTIL ÉLECTRIQUE

- **Ne pas forcer l'outil électrique. Utiliser l'outil électrique approprié pour l'application.** Un outil électrique approprié exécutera le travail mieux et de façon moins dangereuse s'il est utilisé dans les limites prévues.
- **Ne pas utiliser l'outil électrique si le commutateur ne permet pas de le mettre en marche ou de l'arrêter.** Tout outil électrique qui ne peut pas être contrôlé par son commutateur est dangereux et doit être réparé.
- **Débrancher l'outil et/ou retirer le bloc-piles, si possible, avant d'effectuer des réglages, de changer d'accessoire ou de remettre l'outil.** Ces mesures de sécurité préventives réduisent les risques de démarrage accidentel de l'outil.
- **Entreposer l'outil électrique hors de la portée des enfants et interdire à quiconque de l'utiliser si la personne ne connaît pas bien le produit ou les instructions.** Les outils électriques sont dangereux dans les mains d'utilisateurs novices.
- **Entretien des outils électriques et les accessoires. Vérifier qu'aucune pièce mobile n'est mal alignée ou bloquée, qu'aucune pièce n'est brisée et s'assurer qu'aucun autre problème risque d'affecter le bon fonctionnement de l'outil. En cas de dommages, faire réparer l'outil avant de l'utiliser.** Plusieurs accidents sont causés par des produits mal entretenus.
- **Garder les outils bien affûtés et propres.** Des outils correctement entretenus et dont les tranchants sont bien affûtés risquent moins de se bloquer et sont plus faciles à contrôler.
- **Utiliser l'outil électrique, les accessoires, les embouts etc. conformément à ces instructions en tenant compte des conditions de travail et de la tâche à effectuer.** L'usage d'un outil électrique pour des applications pour lesquelles il n'est pas conçu peut être dangereux.
- **Garder les poignées et les surfaces de préhension sèches, propres et exemptes d'huile ou de graisse.** Des poignées et des surfaces de préhension glissantes ne permettent pas de manipuler et de contrôler l'outil en toute sécurité en cas de situation imprévue.

UTILISATION ET ENTRETIEN DE LA BATTERIE

- **Pour recharger le bloc-piles, utiliser seulement le chargeur spécifié par le fabricant.** Un chargeur pouvant convenir à un type de bloc-piles peut entraîner un risque d'incendie lorsqu'il est utilisé avec un autre type de bloc-piles.
- **N'utiliser l'outil électrique qu'avec une batterie recommandée.** L'utilisation de tout autre bloc-piles peut créer un risque de blessures et d'incendie.

- **Lorsque le bloc-piles n'est pas utilisé, le tenir éloigné des objets en métal tels que les trombones, les pièces de monnaie, les clés, les clous, les vis ou d'autres petits objets métalliques qui pourraient connecter les bornes.** Le court-circuitage des bornes d'une pile peut entraîner des brûlures ou un incendie.
- **Éviter tout contact avec le liquide pouvant être éjecté de la pile en cas de manutention abusive. En cas de contact accidentel, rincer immédiatement les parties atteintes avec de l'eau. Si le liquide entre en contact avec les yeux, consulter un médecin.** Le liquide éjecté des piles peut causer des irritations ou des brûlures.
- **N'utiliser aucun bloc-piles ni aucun outil ayant été endommagé ou modifié.** Des piles endommagées ou modifiées peuvent adopter un comportement imprévisible pouvant causer un incendie, une explosion ou le risque de blessures.
- **Ne pas exposer le bloc-piles ou l'outil aux flammes ou à une température excessive.** Une exposition aux flammes ou à une température supérieure à 130°C (265°F) peut causer une explosion.
- **Suivre toutes les instructions de charge et ne pas charger le bloc-piles ou l'outil en dehors de la plage de température spécifiée.** Une charge incorrecte ou à des températures en dehors de la plage spécifiée peut endommager la pile et augmenter le risque d'incendie.

ENTRETIEN

- **Les réparations de l'outil électrique doivent être confiées à un technicien qualifié, utilisant exclusivement des pièces identiques à celles d'origine.** Le maintien de la sûreté de l'outil électrique sera ainsi assuré.
- **Ne jamais effectuer la réparation d'un bloc-piles endommagé.** La réparation du bloc-piles doit être réalisée par le fabricant ou les fournisseurs de service agréés uniquement.

RÈGLES DE SÉCURITÉ SPÉCIFIQUES POUR OUTIL DE PERFORATION

- **Utilisez l'outil seulement comme indiqué. Seul le personnel qualifié doit utiliser l'outil.**
- **N'utilisez pas l'outil dans ou à proximité de panneaux électriques sous tension.** Travaillez uniquement sur des panneaux électriques hors tension. Débranchez toutes les sources de courant électrique avant l'utilisation pour éviter le risque d'électrocution.
- **Gardez vos mains éloignées de la matrice de perforation et du poinçon lorsque vous utilisez l'outil.** Vos doigts risquent d'être écrasés ou sectionnés.
- **Pour réduire le risque de blessure, portez des lunettes de sécurité ou des lunettes avec écrans latéraux. Avant l'utilisation, inspectez et jetez les pièces et accessoires présentant des fissures ou des dommages.** Vous pourriez vous blesser avec les débris de métal fragilisés.
- **Évitez le contact avec les rebords de tôle perforés.** Vous pourriez vous blesser avec les bords tranchants.
- **N'essayez pas de perforez plusieurs couches de matériau à la fois.** En perforant plusieurs couches, les matériaux et les accessoires pourraient provoquer une rupture de chaîne et vous pourriez être blessé par la projection de débris.
- **Utilisez uniquement l'outil avec les matrices de perforation et les poinçons adaptés à la force de débit maximale de cet outil.** D'autres utilisations peuvent provoquer des blessures ou endommager l'outil, les accessoires et les pièces.
- **Maintenir en l'état les étiquettes et les plaques d'identification.** Des informations importantes y figurent. Si elles sont illisibles ou manquantes, contacter un centre de services et d'entretien MILWAUKEE pour un remplacement gratuit.

AVERTISSEMENT Certaines poussières générées par les activités de ponçage, de coupe, de rectification, de perforage et d'autres activités de construction contiennent des substances considérées être la cause de malformations congénitales et de troubles de l'appareil reproducteur. Parmi ces substances figurent :

- le plomb contenu dans les peintures à base de plomb ;
 - la silice cristalline des briques, du ciment et d'autres matériaux de maçonnerie, ainsi que
 - l'arsenic et le chrome des sciages traités chimiquement.
- Les risques encourus par l'opérateur envers ces expositions varient en fonction de la fréquence de ce type de travail. Pour réduire l'exposition à ces substances chimiques, l'opérateur doit : travailler dans une zone bien ventilée et porter l'équipement de sécurité approprié, tel qu'un masque anti-poussière spécialement conçu pour filtrer les particules microscopiques.

PICTOGRAPHIE



Volts



Courant direct



UL Listing Mark pour
Canada et États-unis



AVERTISSEMENT Risque d'électrocution. N'utilisez pas l'outil dans ou à proximité de panneaux électriques sous tension.



AVERTISSEMENT Gardez les mains éloignées du poinçon et de la matrice. Vos doigts risquent d'être écrasés ou sectionnés. Bouton de relâchement

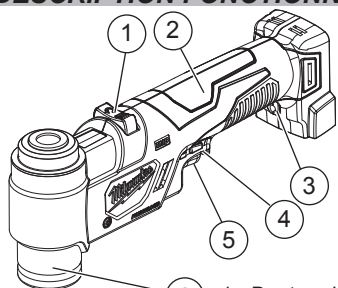


Portez toujours une protection oculaire.



Lisez le manuel d'utilisation.

DESCRIPTION FONCTIONNELLE



1. Bouton de relâchement

2. Poignée

3. Voyant DEL

4. Bouton de verrouillage

5. Gâchette

6. Cylindre

7. Piston (intérieur del cylindre)

8. Coupleur

9. Bloc d'enclume à connexion rapide

10. Manchon à connexion rapide

11. Tiroir à billes à réinitialisation rapide

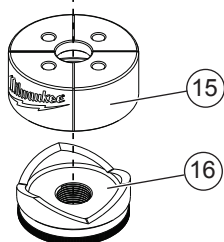
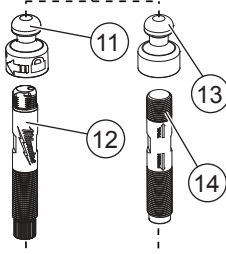
12. Goujon de tirage à réinitialisation rapide

13. Tiroir à billes

14. Goujon de tirage

15. Matrice

16. Poinçon



SPECIFICATIONS

No de Cat.....	2677-20
Volts.....	18 CD
Type de batterie.....	M18™
Type de chargeur.....	M18™
Force de débit maximale.....	6,7 tonnes
Capacités des matériaux *.....	
4" Conduit trous.....	14 acier doux de calibre
2" Conduit trous.....	14 acier inoxydable de calibre
	* Voir le tableau au verso du manuel

MONTAGE DE L'OUTIL

AVERTISSEMENT Ne recharger la batterie qu'avec le chargeur spécifié. Pour les instructions de charge spécifiques, lire le manuel d'utilisation fourni avec le chargeur et les batteries.

Insertion/Retrait de la batterie

Pour **retirer** la batterie, enfoncez les boutons de déverrouillage et la tirer hors de l'outil.

AVERTISSEMENT Il faut toujours retirer la batterie et verrouiller la détente de l'outil avant de changer ou d'enlever les accessoires.

Pour **insérer** la batterie, la glisser dans le corps de l'outil. S'assurer qu'elle est fixée solidement.

AVERTISSEMENT L'emploi d'accessoires autres que ceux qui sont expressément recommandés pour cet outil peut comporter des risques.

Assemblage du goujon de tirage et du tiroir à billes

Déterminez s'il faut utiliser l'ensemble de goujon de tirage à réinitialisation rapide ou le tiroir à billes/goujon de tirage standard. **REMARQUE** : L'ensemble de goujon de tirage à réinitialisation rapide ne peut pas être utilisé sans l'ensemble à connexion rapide.

Ensemble de goujon de tirage à réinitialisation rapide

1. Insérez l'extrémité à rainure courte du goujon de tirage dans le tiroir à billes.
2. Tournez le goujon de tirage légèrement pour le verrouiller dans le tiroir à billes. Le goujon de tirage « s'enclenche » en place.

Goujon de tirage et tiroir à billes standard

- 1 Insérez l'extrémité à filetage court du goujon de tirage dans le tiroir à billes.

2. Vissez le goujon de tirage dans le tiroir à billes. Serrez fermement.

Installation/Retrait du bloc à connexion rapide

L'outil de perforation peut être utilisé avec le bloc à connexion rapide, ou avec le goujon de tirage vissé directement dans l'outil.

1. Retirez le bloc de batteries.
2. Vissez le coupleur dans le piston. Serrez solidement à la main.
3. Placez le bloc à connexion rapide sur le collier de l'outil. Tirez sur le manchon et faites-le glisser sur le collier. Relâchez le manchon.
4. Pour retirer le bloc à connexion rapide, répétez la procédure en sens inverse.



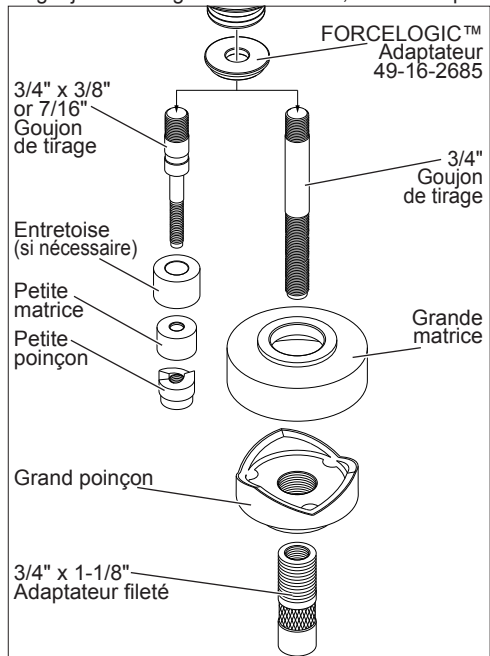
Installation/Retrait du goujon de tirage

Dans certains cas, comme lorsque vous travaillez dans des espaces confinés, il peut être nécessaire d'utiliser l'outil de perforation sans le bloc à connexion rapide.

1. Retirez le bloc de batteries.
2. Enlevez le bloc à connexion rapide.
3. Vissez le goujon de tirage directement dans le piston. Serrez solidement à la main. **REMARQUE :** L'ensemble de goujon de tirage à réinitialisation rapide ne peut pas être utilisé sans l'ensemble à connexion rapide.
4. Pour retirer le goujon de tirage, dévissez-le du piston.

FORCELOGIC™ adaptateur (certains modèles)

Utiliser l'adaptateur FORCELOGIC™ de MILWAUKEE (No de Cat. 49-16-2685) pour un ajustage correct avec les autres grandes marques de petits et grands poinçons et matrices. Utiliser avec les autres grandes marques de goujons de tirage et d'entretoises, comme requis.



MANIEMENT

AVERTISSEMENT Il faut toujours retirer la batterie et verrouiller la détente de l'outil avant de changer ou d'enlever les accessoires. L'emploi d'accessoires autres que ceux qui sont expressément recommandés pour cet outil peut comporter des risques.

Pour minimiser les risques de blessures, portez des lunettes à coques latérales.

Pour réduire le risque de blessure, assurez-vous que tous les raccords sont correctement serrés à la main avant d'utiliser l'outil de perforation.

Perforation

- Avant de commencer une perforation, inspectez et jetez les pièces et les accessoires présentant des fissures ou autres dommages.
- Avant de commencer une perforation, vérifiez l'indicateur de charge de la batterie afin de déterminer si la charge de la batterie est suffisante pour terminer l'opération de perforation.
- N'essayez pas de perforez plusieurs couches de matériau à la fois.
- Appuyez sur le bouton de relâchement de l'outil pour vous assurer qu'il est prêt à être utilisé.
- Après avoir effectué 5 000 perforations, retournez l'outil à un centre de service MILWAUKEE pour l'inspection et la maintenance.

Préparation du matériau

1. Sélectionnez le poinçon, la matrice et le goujon de tirage adaptés à l'application. Consultez le tableau « Accessoires ».
2. Dessinez des croix de référence pour marquer l'emplacement exact du trou pilote.
3. Percez le trou pilote légèrement plus large que le goujon de tirage.

Utilisation du bloc à connexion rapide

4. Faites glisser le goujon de tirage dans la matrice, puis dans le matériau.
5. Placez le poinçon en dessous/derrière le matériau et vissez-le sur le goujon de tirage.
6. Alignez les croix de référence sur la matrice avec celles utilisées pour marquer l'emplacement du trou pilote sur le matériau. Fixez correctement le poinçon et la matrice sur chaque côté du matériau pour maintenir le bloc en place.



7. Faites pivoter le manchon à connexion rapide pour accéder à l'ouverture du coupleur.
8. Faites glisser le coupleur autour du tiroir à billes.
9. Faites pivoter le manchon pour verrouiller le tiroir à billes dans le coupleur.

Perforation du matériau

10. Saisissez fermement la poignée et assurez-vous que vos mains et votre corps sont éloignés du poinçon et de la matrice.
11. Appuyez sur la gâchette.
12. Une fois la perforation effectuée, relâchez la gâchette.
13. Appuyez sur le bouton de relâchement.
14. Faites tourner le manchon à connexion rapide et retirez le tiroir à billes du coupleur.
15. En utilisant l'ensemble de goujon de tirage à réinitialisation rapide, débranchez le tiroir à billes du goujon de tirage. En utilisant le tiroir à billes et le goujon de tirage standard, dévissez le poinçon du goujon de tirage.
16. Enlevez le matériau. Soyez prudent, car les bords du matériau peuvent être tranchants

Perforation sans le bloc à connexion rapide

1. Préparez le matériau comme indiqué ci-dessus.
2. Faites glisser le goujon de tirage dans la matrice, puis dans le matériau.
3. Placez le poinçon en dessous/derrière le matériau et vissez-le sur le goujon de tirage.
4. Alignez les croix de référence sur la matrice avec celles utilisées pour marquer l'emplacement du trou pilote sur le matériau. Fixez correctement le poinçon et la matrice sur chaque côté du matériau pour maintenir le bloc en place.
5. Saisissez fermement la poignée et assurez-vous que vos mains et votre corps sont éloignés du poinçon et de la matrice.
6. Appuyez sur la gâchette.
7. Une fois la perforation effectuée, relâchez la gâchette.
8. Appuyez sur le bouton de relâchement.
9. Dévissez le poinçon du goujon de tirage et retirez le matériau. Soyez prudent, car les bords du matériau peuvent être tranchants.

ENTRETIEN

AVERTISSEMENT Pour minimiser les risques de blessures corporelles, débranchez le chargeur et retirez la batterie du chargeur ou de l'outil avant d'y effectuer des travaux d'entretien. Ne démontez jamais l'outil, la batterie ou le chargeur. Pour toute réparation, consultez un centre de service MILWAUKEE agréé.

Entretien de l'outil

Gardez l'outil en bon état en adoptant un programme d'entretien ponctuel. Inspectez votre outil pour des questions telles que le bruit excessif, de grippage des pièces mobiles, de pièces cassées ou toute autre condition qui peut affecter le fonctionnement de l'outil. Retournez votre outil à un centre de service MILWAUKEE agréé pour obtenir le service. Après une période pouvant aller de 6 mois à un an, selon l'usage, retournez votre outil à un centre de service MILWAUKEE agréé pour inspection.

Si l'outil ne démarre pas ou ne fonctionne pas à pleine puissance alors qu'il est branché sur une batterie complètement chargée, nettoyez les points de contact entre la batterie et l'outil. Si l'outil ne fonctionne toujours pas correctement, renvoyez l'outil, le chargeur et la batterie à un centre de service MILWAUKEE agréé.

AVERTISSEMENT Pour minimiser les risques de blessures ou de dommages à l'outil, n'immergez jamais l'outil, la batterie ou le chargeur et ne laissez pas de liquide s'y infiltrer.

Nettoyage

Débarassez les événements des débris et de la poussière. Gardez les poignées propres, à sec et exemptes d'huile ou de graisse. Le nettoyage doit se faire avec un linge humide et un savon doux. Certains nettoyeurs tels l'essence, la térbenthine, les diluants à laque ou à peinture, les solvants chlorés, l'ammoniaque et les détergents d'usage domestique qui en contiennent pourraient détériorer le plastique et l'isolation des pièces. Ne laissez jamais de solvants inflammables ou combustibles auprès des outils.

Réparations

Pour les réparations, retournez outil, batterie et chargeur en entier au centre-service le plus près.

ACCESSOIRES

AVERTISSEMENT L'utilisation d'autres accessoires que ceux qui sont spécifiquement recommandés pour cet outil peut comporter des risques.

Pour une liste complète des accessoires, visiter le site internet www.milwaukeeetool.com ou contactez un distributeur.

SERVICE - CANADA

Milwaukee Tool (Canada) Ltd

1.800.268.4015

Monday-Friday, 7:00 AM - 4:30 PM CST

www.milwaukeeetool.ca

GARANTIE LIMITÉE - AUX ÉTATS-UNIS ET AU CANADA

Chaque outil électrique MILWAUKEE (voir exceptions ci-dessous) est garanti à l'acheteur d'origine uniquement pour être exempt de vices de matériaux et de fabrication. Sous réserve de certaines exceptions, MILWAUKEE réparera ou remplacera, à son choix, tout produit électrique qui, après examen par MILWAUKEE, s'est avéré être affecté d'un vice de matériau ou de fabrication et ce pendant une période de cinq (5) ans** à compter de la date d'achat, sauf indication contraire. Le retour de l'outil électrique, à un centre de réparations en usine MILWAUKEE ou à un centre d'entretien agréé MILWAUKEE, est requis en port prépayé et assuré. Une copie de la preuve d'achat doit être présentée avec le produit retourné. Cette garantie ne couvre pas les dommages que MILWAUKEE détermine être causés par des réparations ou des tentatives de réparation par quiconque autre que le personnel agréé par MILWAUKEE, ou par des utilisations incorrectes, des altérations, des utilisations abusives, une usure normale, une carence d'entretien ou des actions de l'utilisateur.

Usure normale : Plusieurs outils électriques requièrent un remplacement et un entretien périodique de leurs pièces pour un meilleur rendement. Cette garantie ne couvre pas la réparation des pièces due à l'utilisation normale de l'outil, y compris, mais sans s'y limiter, les mandrins, les broches, les cordes, les sabots de scie, les portes-lames, les joints torçants, les joints, les anneaux, les amasseurs, les lames de coupe, les pistons, les perceurs, les crochets et les rondelles à couvercle amortisseurs. * Cette garantie ne s'applique pas aux clouuses-agrafeuses pneumatiques, aux pulvérisateurs à peinture sans air, aux blocs-pis pour outils sans fil, aux générateurs d'alimentation portatives à essence, aux outils à main, aux monte-charge – électriques, à levier et à chaîne (manuels), aux vestes chauffantes M12™, aux produits résinés, ni aux produits d'essai et de mesure. Il existe des garanties séparées distinctes pour ces produits.

** La période de garantie applicable pour les radins de chantier, le port d'alimentation M12™, la source électrique M18™, le ventilateur de chantier et les chariots de travail à moteur à essence, est une durée d'un (1) an à compter de la date d'achat. La période de garantie pour les Câbles de la sonde spirale est de deux (2) ans à compter de la date d'achat. La période de garantie couvrant la DEL de la lampe de travail à DEL et l'ampoule améliorée à DEL de la lampe de travail est une garantie à vie du produit soumise aux limitations ci-dessus. En cas de défaillance de la DEL ou de l'ampoule à DEL pendant son utilisation normale, la pièce défectueuse sera remplacée gratuitement. L'enregistrement de la garantie n'est pas nécessaire pour bénéficier de la garantie en vigueur sur un outil électrique MILWAUKEE. La date de fabrication du produit servira à établir la période de garantie si aucune preuve d'achat n'est fournie lorsqu'une demande de service sous garantie est déposée.

LA GARANTIE MILWAUKEE NE COUVERT PAS LES DOMMAGES EN CAS D'ET DE REMPLACEMENT DECRIETS DANS LES PRESENTES EST UNE CONDITION DU CONTRAT D'ACHAT DE TOUT PRODUIT MILWAUKEE, SI VOUS N'ACCEPTEZ PAS CETTE CONDITION, VOUS NE DEVEZ PAS ACHETER LE PRODUIT. EN AUCUN CAS, MILWAUKEE NE SAURAIT ETRE RESPONSABLE DE TOUT DOMMAGE ACCESSOIRE, SPECIAL OU INDIRECT, DE DOMMAGES-INTERETS, PUNITIFS OU DE TOUTE DEPENSE, D'HONORAIRES D'AVOCATS, DE FRAIS, DE PERTE OU DE DELAIS ACCESSOIRES A TOUT DOMMAGE, DEFAILLANCE OU DEFAUT DE TOUT PRODUIT, Y COMPRIS NOTAMMENT LES PERTES DE PROFIT. CERTAINS ETATS ET PROVINCES NE PERMETTENT PAS L'EXCLUSION OU LA LIMITATION DE DOMMAGES ACCESSOIRES. LES RESTRICTIONS CI-DESSUS PEUVENT DONC NE PAS VOUS ETRE APPLICABLES. CETTE GARANTIE EST EXCLUSIVE ET REMPLACE TOUTE AUTRE GARANTIE EXPRESSE, QU'ELLE SOIT VERBALE OU ECRITE, DANS LA MESURE PERMISE PAR LA LOI. MILWAUKEE RENONCE A TOUTES GARANTIES IMPLIQUES Y COMPRIS, MAIS SANS S'Y LIMITER, LA GARANTIE IMPLICITE DE QUALITE. MARIANDE OU D'ADAPTATION A UNE UTILISATION OU A UNE FIN PARTICULIERE, DANS LA MESURE OU UNE TELLE STIPULATION D'EXONERATION

N'EST PAS PERMISE PAR LA LOI, LA DURÉE DE CES GARANTIES IMPLICITES EST LIMITÉE À LA PÉRIODE APPLICABLE DE LA GARANTIE EXPRESSE, TEL QUE CELA EST DÉCRIT PRÉCÉDEMMENT. CERTAINS ÉTATS ET PROVINCES NE PERMETTANT PAS DE LIMITATION DE DURÉE DE LA GARANTIE IMPLICITE, LES RESTRICTIONS CI-DESSUS PEUVENT DONC NE PAS VOUS ÊTRE APPLICABLES. LA PRÉSENTE VOUS CONFÈRE DES DROITS LÉGAUX PARTICULIERS; VOUS BÉNÉFICIEZ ÉGALEMENT D'AUTRES DROITS QUI VARIENT D'UN ÉTAT À UN AUTRE. Cette garantie s'applique aux produits vendus aux États-Unis et au Canada uniquement.

Veuillez consulter la rubrique Centre SAV Milwaukee, dans la section Pièces et Services du site Web de MILWAUKEE, à l'adresse www.milwaukeeetool.com, ou composer le 1-800-SAWDUST (1-800-729-3878) afin de trouver le centre de service de votre région le plus proche pour l'entretien, sous garantie ou non, de votre outil électrique Milwaukee.

GARANTIE LIMITÉE – MEXIQUE, AMÉRIQUE CENTRALE ET CARAÏBES

TECHTRONIC INDUSTRIES® garantit le produit pendant cinq ans à partir de la date d'achat d'origine. Le présent bon de garantie couvre tous les vices de matériau et de fabrication que peut afficher cet outil électrique. Pour assurer la validité de la présente garantie, veuillez présenter le bon de commande estampillé du sceau du distributeur ou du magasin où le produit a été acheté, au centre de réparations agréé. Si le bon de commande n'a pas été estampillé, veuillez fournir la preuve d'achat d'origine au centre de réparations agréé. Pour un entretien, des pièces, des accessoires ou d'autres composants, composer sans frais le 1-800-832-1949 afin d'obtenir les coordonnées du centre de réparations agréé le plus près. Procédez pour assurer la validité de la garantie.

Présenter le produit au centre de réparations agréé, accompagné du bon de commande estampillé du sceau du distributeur ou du magasin où le produit a été acheté. Toute pièce défectueuse ou tout composant défectueux sera remplacé sans frais. Milwaukee assume tous les frais de transport liés à ce processus de garantie.

Exceptions

La garantie ne s'applique pas dans les situations suivantes :

- a) Si le produit a été utilisé pour une fin autre que celle indiquée dans le guide de l'utilisateur final ou le manuel d'instructions.
- b) Si les conditions d'utilisations ne sont pas habituelles.
- c) Si le produit a été modifié ou réparé par une personne non autorisée par TECHTRONIC INDUSTRIES.

Note : Si le cordon électrique est endommagé, il doit être remplacé par un centre de réparations agréé pour éviter les risques d'électrocution.

CENTRE DE RÉPARATIONS ET DE SERVICE:

Presidente Masarik No.29 Piso 7

Col. Polanco V Sección

Miguel Hidalgo C.P.11560 Mexico, DF.

Ph: 52 55 4760-3547

IMPORTÉ ET COMMERCIALISÉ PAR :

TECHTRONIC INDUSTRIES MEXICO, S.A. DE C.V.

Presidente Masarik No.29 Piso 7

Col. Polanco V Sección

Miguel Hidalgo C.P.11560 Mexico, DF.

SEGURIDAD ELÉCTRICA

- Los enchufes de la herramienta eléctrica deben coincidir con el tomacorriente. Nunca modifique el enchufe de ninguna manera. No utilice adaptadores de enchufe con herramientas eléctricas aterrizadas. Los enchufes y tomacorrientes correspondientes sin modificar reducirán el riesgo de descarga eléctrica.
- Evite el contacto corporal con superficies aterrizadas, tales como tuberías, radiadores, estufas y refrigeradores. Existe un riesgo mayor de descarga eléctrica si su cuerpo está aterrizado.
- No exponga las herramientas eléctricas a la lluvia ni a condiciones húmedas. Si se introduce agua en una herramienta eléctrica, aumentará el riesgo de descarga eléctrica.
- No maltrate el cable. Nunca utilice el cable para cargar, jalar o desconectar la herramienta eléctrica. Mantenga el cable alejado del calor, el aceite, los bordes afilados o las partes en movimiento. Los cables dañados o enredados aumentan el riesgo de descarga eléctrica.
- Al utilizar una herramienta eléctrica en exteriores, utilice una extensión adecuada para uso en exteriores. El uso de una extensión adecuada para el uso en exteriores disminuye el riesgo de descarga eléctrica.
- Si es inevitable utilizar una herramienta eléctrica en un lugar húmedo, utilice un alimentador de corriente protegido con un interruptor de circuito por falla de conexión a tierra (GFCI). El uso de un GFCI reduce el riesgo de descarga eléctrica.

SEGURIDAD PERSONAL

- Manténgase alerta, atento a lo que está haciendo y utilice el sentido común al utilizar una herramienta eléctrica. No utilice una herramienta eléctrica mientras está cansado o bajo la influencia de drogas, alcohol o medicamentos. Un momento de distracción al utilizar herramientas eléctricas puede ocasionar lesiones personales graves.
- Utilice equipo de protección personal. Siempre use protección para los ojos. El equipo de protección, tal como una máscara contra polvo, calzado antideslizante, casco o protección auditiva, utilizado para condiciones adecuadas disminuirá las lesiones personales.
- Evite el arranque accidental. Asegúrese de que el interruptor esté en la posición de apagado antes de conectarlo a una fuente de poder y/o batería, levantar o trasladar la herramienta. Trasladar herramientas con el dedo en el interruptor o energizar herramientas eléctricas que tienen el interruptor encendido propicia accidentes.
- Retire cualquier llave de ajuste antes de entender la herramienta. Una llave que se deje insertada en una parte giratoria de la herramienta eléctrica puede ocasionar lesiones personales.
- No estire el cuerpo demasiado. Mantenga un buen contacto entre los pies y el suelo y mantenga el equilibrio en todo momento. Esto permite un mejor control de la herramienta eléctrica en situaciones inesperadas.
- Vístase adecuadamente. No utilice ropa o joyería holgada. Mantenga el cabello y la ropa alejados de las partes móviles. La ropa holgada, las alhajas o el cabello largo pueden quedarse atrapados en las partes móviles.
- Si se proporcionan dispositivos para la conexión de instalaciones de extracción y recolección de polvo, cerciórese de que estén conectados y se utilicen correctamente. El uso de dispositivos recolectores de polvo puede disminuir los riesgos relacionados con el polvo.
- No permita que la familiaridad por el uso frecuente de las herramientas lo hagan sentirse seguro e

Modèle : _____

Date d'achat : _____

Sceau du distributeur ou du magasin : _____

ADVERTENCIAS DE SEGURIDAD GENERALES PARA LA HERRAMIENTA ELÉCTRICA

⚠ ADVERTENCIA Lea todas las advertencias de seguridad, instrucciones, ilustraciones y especificaciones con esta herramienta eléctrica. Si no sigue todas las advertencias e instrucciones, se pueden provocar una descarga eléctrica, un incendio o lesiones graves. **Guarde todas las advertencias e instrucciones para consultarlas en el futuro.** El término "herramienta eléctrica" en todas las advertencias incluidas más abajo se refiere a su herramienta operada por conexión (cable) a la red eléctrica o por medio de una batería (inalámbrica).

SEGURIDAD EN EL ÁREA DE TRABAJO

- Mantenga el área de trabajo limpia y bien iluminada. Las áreas desordenadas u oscuras son propicias para los accidentes.
- No utilice herramientas eléctricas en atmósferas explosivas, tales como en presencia de líquidos, gases o polvos inflamables. Las herramientas eléctricas generan chispas que pueden encender el polvo o los vapores.
- Mantenga a los niños y a los espectadores alejados mientras utiliza una herramienta eléctrica. Las distracciones pueden ocasionar la pérdida de control.

ignorar los principios de seguridad de las herramientas. Un descuido puede provocar lesiones graves en una fracción de segundo.

USO Y CUIDADO DE LAS HERRAMIENTAS ELÉCTRICAS

- **No fuerce la herramienta eléctrica.** Utilice la herramienta eléctrica correcta para su aplicación. La herramienta eléctrica correcta realizará el trabajo mejor y con mayor seguridad a la velocidad para la que fue diseñada.
- **No utilice la herramienta eléctrica si el interruptor no la enciende y la apaga.** Cualquier herramienta eléctrica que no pueda controlarse con el interruptor es peligrosa y debe repararse.
- **Desconecte el enchufe de la fuente de energía y/o quite la batería de la herramienta eléctrica, si es posible, antes de realizar cualquier ajuste, cambiar accesorios o almacenar las herramientas eléctricas.** Tales medidas preventivas de seguridad disminuyen el riesgo de que la herramienta eléctrica se encienda accidentalmente.
- **Almacene las herramientas eléctricas que no se estén utilizando fuera del alcance de los niños y no permita que personas que no estén familiarizadas con la herramienta eléctrica o con estas instrucciones la utilicen.** Las herramientas eléctricas son peligrosas en manos de usuarios sin capacitación.
- **Dé mantenimiento a las herramientas eléctricas y accesorios.** Verifique que no haya desalineación, amarre de partes móviles, partes rotas o alguna otra condición que pueda afectar el funcionamiento de la herramienta eléctrica. Si se daña, asegúrese de que la herramienta eléctrica sea reparada antes de que se utilice. Muchos accidentes son ocasionados por herramientas eléctricas con mantenimiento deficiente.
- **Mantenga las herramientas de corte afiladas y limpias.** Las herramientas de corte correctamente mantenidas con bordes de corte afilados son menos propensas a atorarse y son más fáciles de controlar.
- **Utilice la herramienta eléctrica, los accesorios y las puntas, etc. de acuerdo con estas instrucciones, tomando en cuenta las condiciones de trabajo y el trabajo a realizar.** El uso de la herramienta eléctrica para operaciones diferentes a las previstas podría generar una situación peligrosa.
- **Mantenga las empuñaduras y ñas superficies de sujeción secas, limpias y libres de aceite y grasa.** Las empuñaduras y superficies de sujeción resbalosas no permiten el manejo y control seguros de la herramienta en situaciones inesperadas.

USO Y CUIDADO DE LAS HERRAMIENTAS CON BATERÍA

- **Recargue únicamente con el cargador especificado por el fabricante.** Un cargador que es adecuado para un tipo de batería puede crear un riesgo de incendio si se utiliza con otra batería.
- **Utilice las herramientas eléctricas únicamente con baterías específicamente diseñadas.** El uso de cualquier otra batería puede producir un riesgo de lesiones e incendio.
- **Cuando la batería no esté en uso, manténgala alejada de otros objetos metálicos como sujetapapeles, monedas, llaves, clavos, tornillos u otros objetos metálicos pequeños que puedan formar una conexión de una terminal a otra.** Crear un corto entre las terminales de la batería puede ocasionar quemaduras o un incendio.
- **Bajo condiciones de maltrato, el líquido puede ser expulsado de la batería, evite el contacto. En caso de contacto accidental, lave con agua. Si el líquido entra en contacto con los ojos, busque además**

ayuda médica. El líquido expulsado de la batería puede causar irritación o quemaduras.

- **No use una batería o herramienta que se haya dañado o modificado.** Las baterías dañadas o modificadas pueden mostrar un comportamiento impredecible, causando incendios, explosión o riesgo de lesión.
- **No exponga una batería o herramienta al fuego o a temperatura excesiva.** La exposición a fuego o temperatura a más de 130° C (265° F) puede causar explosiones.
- **Siga todas las instrucciones de carga y no cargue la batería o la herramienta fuera del rango de temperatura especificado en las instrucciones.** La carga incorrecta o a temperaturas fuera del rango especificado puede dañar la batería y aumentar el riesgo de incendio.

MANTENIMIENTO

- **Lleve su herramienta eléctrica a servicio con un técnico calificado que use únicamente piezas de reemplazo idénticas.** Esto asegurará que la seguridad de la herramienta eléctrica se mantenga.
- **Nunca dé servicio a baterías dañadas.** Únicamente el fabricante o proveedores de servicio autorizados deben dar servicio a las baterías.

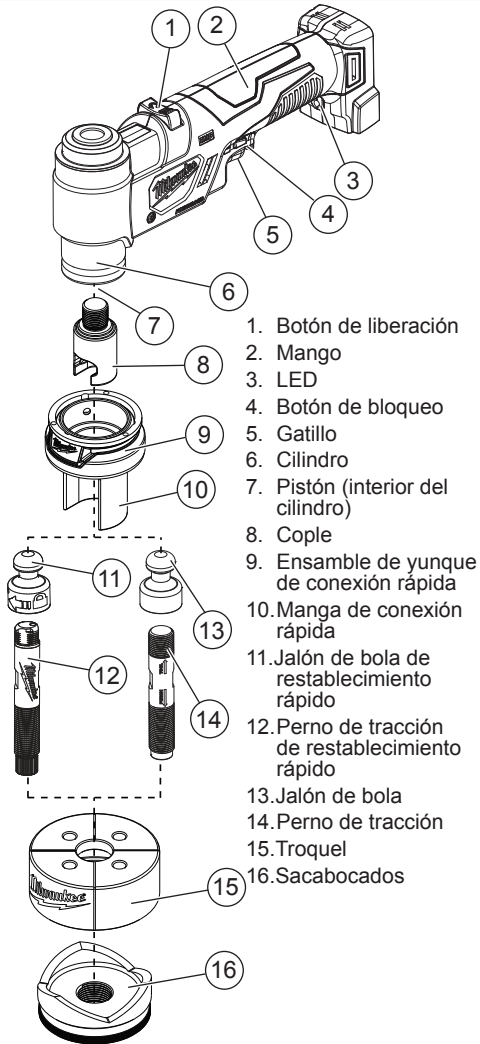
REGLAS ESPECÍFICAS DE SEGURIDAD HERRAMIENTA PERFORADORA

- **Use la herramienta únicamente como se indica. Solo el personal capacitado debe operar la herramienta.**
- **No debe utilizarse cerca de paneles eléctricos energizados.** Trabaje únicamente en paneles eléctricos desenergizados. Desconecte toda la corriente eléctrica antes de usar para evitar el riesgo de descarga eléctrica.
- **Mantenga las manos alejadas del sacabocados y el troquel mientras la herramienta esté en uso.** Estas partes pueden aplastar o cortar los dedos.
- **Para reducir el riesgo de lesiones, utilice gafas o lentes de seguridad con protectores laterales. Antes del uso, inspeccione y descarte las piezas de trabajo y los accesorios fracturados o dañados.** Los fragmentos de metal debilitado podrían causar lesiones.
- **Evite el contacto con los bordes de metal perforado.** Los bordes pueden estar afilados y ocasionar lesiones.
- **No intente perforar más de una capa de material a la vez.** Perforar múltiples capas podría ocasionar que el material y los accesorios se rompan por deformación, lanzando fragmentos que podrían causar lesiones.
- **Utilice la herramienta únicamente con los sacabocados y troqueles calificados para la máxima fuerza de salida de esta herramienta.** Otros usos pueden causar lesiones o daños a la herramienta, los accesorios y la pieza de trabajo.
- **Conservar las etiquetas y las placas nominales.** Contienen información importante. Si son ilegibles o no están presentes, comuníquese con un centro de servicio MILWAUKEE para obtener un reemplazo gratuito.
- **ADVERTENCIA** Algunos polvos generados por el lijado eléctrico, aserrado, pulido, taladrado y otras actividades de construcción contienen químicos identificados como causantes de cáncer, defectos congénitos u otros daños reproductivos. Algunos ejemplos de estos químicos son:
 - plomo de pintura basada en plomo
 - dióxido de silicio de los ladrillos y el cemento y otros productos de albañilería y
 - arsénico y cromo de madera con tratamiento químico.Su riesgo por estas exposiciones varía, dependiendo de la frecuencia con que realice este tipo de trabajo. Para reducir su exposición a estos químicos: trabaje en un área bien ventilada y trabaje con equipo de seguridad aprobado, como mascarillas protectoras contra polvo especialmente diseñadas para filtrar partículas microscópicas.

ESPECIFICACIONES

Cat. No. 2677-20
 Volts 18 CD
 Tipo de batería M18™
 Tipo de cargador M18™
 Máxima fuerza de salida..... 6,7 Toneladas
 Capacidades de material *
 4" Conducto agujeros..... acero dulce calibre 14
 2" Conducto agujeros .. acero inoxidable calibre 14
 * Vea la tabla en la contraportada del manual

DESCRIPCIÓN FUNCIONAL



1. Botón de liberación
2. Mango
3. LED
4. Botón de bloqueo
5. Gatillo
6. Cilindro
7. Pistón (interior del cilindro)
8. Cople
9. Ensamble de yunque de conexión rápida
10. Manga de conexión rápida
11. Jalón de bola de restablecimiento rápido
12. Perno de tracción de restablecimiento rápido
13. Jalón de bola
14. Perno de tracción
15. Troquel
16. Sacabocados

SIMBOLOGÍA



Volts



Corriente directa



UL Listing Mark para Canadá y Estados Unidos



⚠ ADVERTENCIA Riesgo de descarga eléctrica. No debe utilizarse cerca de paneles eléctricos energizados.



⚠ ADVERTENCIA Mantenga las manos alejadas del sacabocados y el troquel. Estas partes pueden aplastar o cortar los dedos.



Botón de liberación



Siempre use protección para los ojos.



Lea el manual del operador.

ENSAMBLAJE

⚠ ADVERTENCIA Recargue la batería sólo con el cargador especificado para ella. Para instrucciones específicas sobre cómo cargar, lea el manual del operador suministrado con su cargador y la batería.

Como se inserta/quita la batería en la herramienta

Para **retirar** la batería, presione los botones de liberación y jale de la batería para sacarla de la herramienta.

⚠ ADVERTENCIA Para reducir el riesgo de lesiones, extraiga siempre la batería antes de acoplar o desacoplar accesorios. Para introducir la batería, deslicela en el cuerpo de la herramienta. Asegúrese de que quede bien firme en su posición.

⚠ ADVERTENCIA Utilice únicamente accesorios específicamente recomendados para esta herramienta. El uso de accesorios no recomendados podría resultar peligroso.

Ensamble del perno de tracción y el jalón de bola

Determine si usará el juego de perno de tracción de restablecimiento rápido o el perno de tracción/jalón de bola estándar. **NOTA:** El juego del perno de tracción de restablecimiento rápido no se puede usar sin el ensamble de conexión rápida.

Juego de perno de tracción de restablecimiento rápido

1. Inserte el extremo con ranuras cortas del perno de tracción en el jalón de bola.
2. Gire el perno de tracción ligeramente para bloquearlo dentro del jalón de bola. El perno de tracción entrará en su lugar con un chasquido.

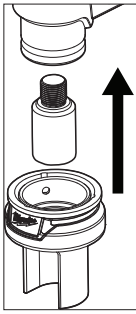
Perno de tracción y jalón de bola estándar

1. Inserte el extremo con roscas cortas del perno de tracción en el jalón de bola.
2. Enrosque el perno de tracción en el jalón de bola. Apriete bien.

Instalación/remoción del ensamble de conexión rápida

La herramienta perforadora puede usarse con el ensamble de conexión rápida o con el perno de tracción atornillado directamente en la herramienta.

1. Extraiga la batería.
2. Enrosque el cople en el pistón. Apriete firmemente a mano.
3. Coloque el ensamble de conexión rápida sobre el cuello de la herramienta. Jale la manga hacia atrás y deslicela sobre el cuello. Suelte la manga.
4. Para retirar el ensamble de conexión rápida, invierta el procedimiento.



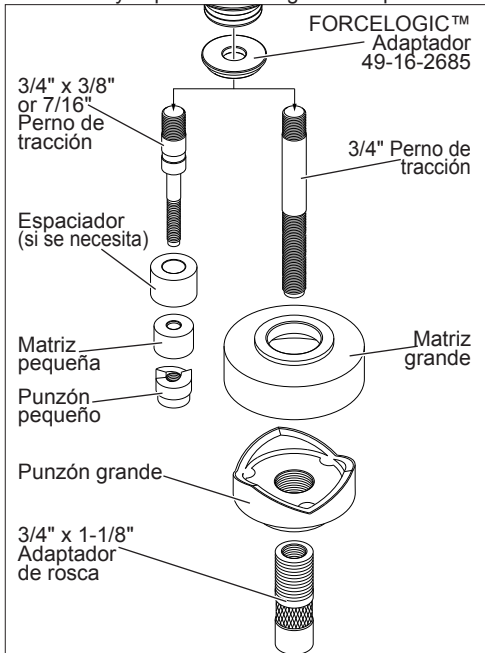
Instalación/remoción del perno de tracción

En algunas circunstancias, como al trabajar en espacios limitados, puede ser necesario utilizar la herramienta perforadora sin el ensamble de conexión rápida.

1. Extraiga la batería.
2. Retire el ensamble de conexión rápida.
3. Atornille el perno de tracción directamente en el pistón. Apriete a mano firmemente. **NOTA:** El juego del perno de tracción de restablecimiento rápido no se puede usar sin el ensamble de conexión rápida.
4. Para retirar el perno de tracción, desatornille desde el pistón.

FORCELOGIC™ adaptador (algunos modelos)

Use el adaptador MILWAUKEE FORCELOGIC™ (Cat. No. 49-16-2685) para que se adapte correctamente a otras marcas principales de punzones y matrices grandes y pequeños. Utilícelo con pernos de tracción y espaciadores según se requiera.



OPERACION

⚠️ ADVERTENCIA Para reducir el riesgo de lesiones, extraiga siempre la batería antes de acoplar o desacoplar accesorios. Utilice únicamente accesorios específicamente recomendados para esta herramienta. El uso de accesorios no recomendados podría resultar peligroso.

Para reducir el riesgo de lesiones, use siempre lentes de seguridad o anteojos con protectores laterales.

Para reducir el riesgo de lesiones, asegúrese de que todas las roscas estén firmemente apretadas a mano antes de operar la herramienta perforadora.

Perforación

- Antes de iniciar una perforación, inspeccione y descarte el material y los accesorios fracturados o con otros daños.
- Antes de iniciar una perforación, revise el indicador de combustible para determinar si la carga de la batería es suficiente para completar la operación.
- No intente perforar más de una capa de material a la vez.
- Oprima el botón de liberación de la herramienta para asegurarse de que esté lista para usarse.
- Después de 5000 perforaciones, devuelva la herramienta a un centro de servicio MILWAUKEE para inspección y mantenimiento.

Preparación del material

1. Seleccione el sacabocados, troquel y perno de tracción adecuados para la aplicación. Vea la tabla en la sección "Accesorios".
2. Dibuje un retículo para marcar la ubicación exacta del orificio piloto.
3. Perfore el orificio piloto ligeramente más grande que el perno de tracción.

Uso del ensamble de conexión rápida

4. Deslice el perno de tracción a través del troquel, luego a través del material.
5. Coloque el sacabocados debajo/detrás del material y enrósquelo en el perno de tracción.
6. Alinee el retículo del troquel con el retículo utilizado para localizar el orificio piloto en el material. Apriete el sacabocados y el troquel firmemente contra cada lado del material para sostener el ensamble en su lugar.



7. Gire la manga de conexión rápida para acceder a la apertura del cople.
8. Deslice el cople alrededor del jalón de bola.
9. Gire la manga para bloquear el jalón de bola en el cople.

Perforación del material

10. Sujete la empuñadura firmemente para asegurar que las manos y el cuerpo estén alejados del troquel y sacabocados.
11. Oprima el gatillo.
12. Cuando la operación esté terminada, suelte el gatillo.
13. Jale el botón de liberación.
14. Gire la manga de conexión rápida y retire el jalón de bola del cople.
15. Al utilizar el juego del perno de tracción de restablecimiento rápido, desconecte el jalón de bola del perno de tracción. Al utilizar el perno de tracción y jalón de bola estándar, desatornille el punzón del perno de tracción.
16. Retire el material. Tenga cuidado, ya que los bordes del material pueden tener filos.

Perforación sin el ensamble de conexión rápida

1. Prepare el material como se explicó anteriormente.
2. Deslice el perno de tracción a través del troquel, luego a través del material.
3. Coloque el sacabocados debajo/detrás del material y enrósquelo en el perno de tracción.
4. Alinee el retículo del troquel con el retículo utilizado para localizar el orificio piloto en el material. Apriete el sacabocados y el troquel firmemente contra cada lado del material para sostener el ensamble en su lugar.
5. Sujete la empuñadura firmemente para asegurar que las manos y el cuerpo estén alejados del troquel y sacabocados.
6. Oprima el gatillo.
7. Cuando la operación esté terminada, suelte el gatillo.
8. Jale el botón de liberación.
9. Desatornille el sacabocados del perno de tracción y retire el material. Tenga cuidado, ya que los bordes del material pueden ser afilados.

MANTENIMIENTO

⚠ ADVERTENCIA Para reducir el riesgo de una lesión, desconecte siempre la herramienta antes de darle cualquier mantenimiento. Nunca desarme la herramienta ni trate de hacer modificaciones en el sistema eléctrico de la misma. Acuda siempre a un Centro de Servicio MILWAUKEE para TODAS las reparaciones.

Mantenimiento de las herramientas

Adopte un programa regular de mantenimiento y mantenga su herramienta en buenas condiciones. Inspeccione la herramienta para problemas como ruidos indebidos, desalineadas o agarradas de partes móviles, piezas rotas o cualquier otra condición que pueda afectar el funcionamiento de la herramienta. Envíe su herramienta al Centro de Servicio MILWAUKEE para reparación. Después de 6 meses a un año, dependiendo del uso dado, envíe su herramienta al Centro de Servicio MILWAUKEE más cercano para la inspección.

Si la herramienta no arranca u opera a toda su potencia con una batería completamente cargada, limpie, con una goma o borrador, los contactos de la batería y de la herramienta. Si aun así la herramienta no trabaja correctamente, regrésela, con el cargador y la batería, a un centro de servicio MILWAUKEE.

⚠ ADVERTENCIA Para reducir el riesgo de lesiones, descarga eléctrica o daño a la herramienta, nunca la sumerja en líquidos ni permita que estos fluyan dentro de la misma.

Limpieza

Limpie el polvo y suciedad de las ventilas. Mantenga los mangos limpios, secos y libres de aceite o grasa. Use solo jabón neutro y un trapo húmedo para limpiar, ya que algunos substancias y solventes limpiadores son dañinos a los plásticos y partes aislantes. Algunos de estos incluyen: gasolina, turpentina, thinner, lacas, thinner para pinturas, solventes para limpieza con cloro, amoníaco y detergentes caseros que tengan amonía. Nunca usa solventes inflamables o combustibles cerca de una herramienta.

Reparaciones

Si su herramienta, batería o cargador están dañados, envíela al centro de servicio más cercano.

ACCESORIOS

⚠ ADVERTENCIA Utilice sólo los accesorios específicamente recomendados. Otros accesorios puede ser peligroso. Para una lista completa de accesorios, visite nuestro sitio en Internet: www.milwaukeeetool.com o póngase en contacto con un distribuidor.

SOPORTE DE SERVICIO - MEXICO

CENTRO DE ATENCION A CLIENTES

Techronic Industries Mexico, S.A. de C.V.

Av. Presidente Masarik 29 Piso 7

11560 Polanco V Seccion

Miguel Hidalgo, Distrito Federal, México

01 (800) 030-7777 o (55) 4160-3540

Lunes a Viernes (9am a 6pm)

O contáctanos en www.milwaukeeetool.com.mx

GARANTÍA LIMITADA - E.U.A. Y CANADA

Cada herramienta eléctrica* MILWAUKEE (vea las excepciones más adelante) se garantiza al comprador original únicamente contra defectos en materiales y mano de obra. Sujeto a ciertas excepciones, MILWAUKEE reparará o reemplazará cualquier parte de una herramienta eléctrica que, tras una revisión, MILWAUKEE determine que tiene defectos en material o mano de obra durante un periodo de cinco (5) años** después de la fecha de compra, menos que se indique lo contrario. Se requiere que se envíe la herramienta eléctrica a un Centro de Servicio de fábrica de MILWAUKEE o a una Estación de Servicio Autorizada de MILWAUKEE, con filete prepagado y asegurado. Debe incluirse una copia del comprobante de compra con el producto enviado. Esta garantía no aplica a daños que MILWAUKEE determine que son ocasionados por reparaciones o intentos de reparaciones realizados por una persona que no sea personal autorizado de MILWAUKEE, uso indebido, alteraciones, maltrato, desgaste normal, falta de mantenimiento o accidentes.

Desgaste normal: Muchas herramientas eléctricas necesitan reemplazos periódicos de partes y servicio para lograr el mejor rendimiento. Esta garantía no cubre la reparación cuando el uso normal agotado la vida útil de una parte, incluyendo, entre otras, mandriles, cepillos, cables, zapatas de sierra, abrazaderas de hojas, juntas tóricas, sellos, paraquochos, cuchillas de propulsión, pistones, percutores, elevadores y arandelas de la cubierta del paraquochos.

Esta garantía no cubre las clavadoras y grapadoras neumáticas, pulverizador de pintura sin aire, baterías para obras, generador de trabajo industrial accionados por gasolina, herramientas manuales, equipo eléctrico, de plomería y cadena manual, prendas calefactadas M12™, productos reacondicionados, y productos de prueba y medición. Hay garantías independientes y distintas disponibles para estos productos.

*El periodo de garantía de los radios para obra, puerto de energía M12™, fuente de poder M18™ y ventilador para obra y batería de trabajo industriales Trade Titan™ es de un (1) año a partir de la fecha de compra. El periodo de garantía de los cables de la sonda flexible para desgastes es de dos (2) años a partir de la fecha de compra. El periodo de garantía del LED de la lámpara de trabajo LED y el foco de cambio a LED para la lámpara de trabajo es por toda la vida del producto, sujeto a las limitaciones mencionadas anteriormente. Si durante el uso normal falla el LED o el foco LED, la parte se reemplazará sin cargo alguno.

No es necesario el registro de la garantía para obtener la garantía correspondiente para un producto de herramienta eléctrica MILWAUKEE. La fecha de manufactura del producto se utilizará para determinar el periodo de garantía si no se proporciona comprobante de compra al solicitar el servicio en garantía.

ACEPTACIÓN DE LOS TÉRMINOS DE EXCLUSIÓN DE RESPONSABILIDAD Y REEMPLAZO AQUÍ DESCRITOS ES UNA CONDICIÓN DEL CONTRATO PARA LA COMPRA DE TODO PRODUCTO DE MILWAUKEE. SI USTED NO ACEPTA ESTA CONDICIÓN, NO DEBE COMPRAR EL PRODUCTO. MILWAUKEE NO SERÁ RESPONSABLE EN NINGUN CASO DE DAÑOS INCIDENTALES ESPECIALES, EMERGENTES O PUNITIVOS, NI DE NINGUN COSTO, HONORARIOS O GASTOS QUE SE LE PUEDAN DEMANDAR O DEMORAS ALEGADAS COMO CONSECUENCIA DE ALGUN DAÑO, FALLA O DEFECTO EN NINGUN PRODUCTO, INCLUYENDO, ENTRE OTROS, RECLAMACIONES POR PERDIDA DE UTILIDADES. ALGUNOS ESTADOS NO PERMITEN LA EXCLUSIÓN O LIMITACIÓN DE RESPONSABILIDAD POR DAÑOS INCIDENTALES O EMERGENTES. POR LO QUE LA ANTERIOR LIMITACIÓN O EXCLUSIÓN NO PODRÁ APLICARSE EN SU CASO. ESTA GARANTÍA ES EXCLUSIVA Y REEMPLAZA TODAS LAS DEMÁS GARANTÍAS EXPRESAS, ESCRITAS U ORALES, EN LA MEDIDA EN QUE LO PERMITA LA LEY. MILWAUKEE DESCONOCE CUALQUIER

GARANTÍA IMPLÍCITA, INCLUYENDO, SIN LIMITACIÓN, CUALQUIER GARANTÍA IMPLÍCITA DE COMERCIABILIDAD O IDONEIDAD PARA UN FIN O USO ESPECÍFICO; EN LA MEDIDA EN QUE DICHO DESCONOCIMIENTO NO SEA PERMITIDO POR LA LEY. DICHAS GARANTÍAS IMPLÍCITAS SE LIMITAN A LA DURACIÓN DE LA GARANTÍA EXPRESA CORRESPONDIENTE SEGUN SE DESCRIBIÓ ANTERIORMENTE. ALGUNOS ESTADOS NO PERMITEN LIMITACIONES SOBRE LA DURACION DE UNA GARANTIA IMPLICITA, POR LO QUE LA ANTERIOR LIMITACION PUDIERA NO APLICARSE A USTED. ESTA GARANTIA LE DA DERECHOS LEGALES ESPECIFICOS Y USTED PODRIA ADEMAS TENER OTROS DERECHOS QUE VARIAN DE UN ESTADO A OTRO.

Esta garantía aplica a productos vendidos en los Estados Unidos y en Canadá únicamente.

Consulte la 'Búsqueda de Centros de Servicio' en la sección de Refacciones y Servicio del sitio web de MILWAUKEE www.milwaukeetool.com o llame al 1.800.SAWDUST (1.800.729.3878) para localizar el centro de servicio más cercano para servicio dentro y fuera de la garantía para una herramienta eléctrica Milwaukee.

PÓLIZA DE GARANTÍA - VALIDA SOLO PARA MEXICO, AMERICA CENTRAL Y EL CARIBE

TECHTRONIC INDUSTRIES., garantiza por 5 años este producto a partir de la fecha original de compra.

Esta garantía cubre cualquier defecto que presenten las piezas, componentes y la mano de obra contenidas en este producto Para América Central y el Caribe se debe confirmar en el Centro de Servicio Autorizado el plazo de la garantía.

Para hacer efectiva la Garantía deberá presentar al Centro de Servicio Autorizado la Póliza de Garantía sellada por el establecimiento en donde adquirió el producto. Si no la tienen, podrá presentar el comprobante de compra original.

Usted puede llamar sin costo al teléfono 01 800 832 1949 o por correo electrónico a la dirección "servicio@tigrroupna.com", para ubicar el Centro de Servicio Autorizado más cercano a su domicilio, en el cual además podrá adquirir partes, componentes, consumibles y accesorios, que usted necesite.

Procedimiento para hacer válida la garantía
Acuda al Centro de Servicio con el producto y la póliza de garantía sellada por el establecimiento donde realizó la compra. Ahí se reemplazará cualquier pieza o componente defectuoso sin cargo alguno para el usuario final. La empresa se hace responsable de los gastos de transportation razonablemente erogados que se deriven del cumplimiento de la presente garantía.

Excepciones
La garantía perderá validez en los siguientes casos:
a) Cuando el producto se hubiese utilizado en condiciones distintas a las normales.
b) Cuando el producto no hubiese sido operado de acuerdo con el instructivo de uso que le acompaña.

c) Cuando el producto hubiese sido alterado o reparado por personas no autorizadas por TECHTRONIC INDUSTRIES.

Nota: Si el cordón de alimentación es dañado, este debe ser reemplazado por el fabricante o por un Centro de Servicio Autorizado para evitar riesgo.

CENTRO DE SERVICIO Y ATENCIÓN A CLIENTES

Presidente Masarik No.29 Piso 7

Col. Polanco V Sección

Miguel Hidalgo C.P.11560 Mexico, DF.

Tel. 52 55 4160-3547

IMPORTADO Y COMERCIALIZADO POR:

TECHTRONIC INDUSTRIES MEXICO, S.A. DE C.V.

Presidente Masarik No.29 Piso 7

Col. Polanco V Sección

Miguel Hidalgo C.P.11560 Mexico, DF.

Modelo: _____

Fecha de Compra: _____

Sello del Distribuidor: _____

Conduit Size/ Taille du conduit/ Tamaño del conductor	Nominal Hole Size/ Calibre nominal du trou/Tamaño nominal del orificio	Dries/ Matrice/Troquel		Punches/Poinçon/ Sacabocados		Draw Studs/Goujon de Tirage/ Perno de Tracción				Capacity/Capacités/ Capacidades			
		Part Number/ No de cat./ Cat. No.	Description/ Descripción	Part Number/ No de cat./ Cat. No.	Description/ Descripción	Regular	Rapid Reset	3/4"	1-1/8"	Long Regular	Long Rapid Reset	Mild Steel/ Stainless Steel/ Acier inoxydable/ Acero inoxidable A	
1/2"	0.885"	49-16-2605	SS 1/2" die/ matrice/troquel	49-16-2661S	SS 1/2" punch/poinçon/ sacabocados	--	--	49-16-2680	49-16-2680	--	--	12 gauge	10 gauge
3/4"	1.115"	49-16-2662	3/4" die/ matrice/troquel	49-16-2663	3/4" punch/poinçon/ sacabocados	--	--	49-16-2681	49-16-2703	--	--	12 gauge	10 gauge
1"	1.362"	49-16-2664	1" die/ matrice/troquel	49-16-2665	1" punch/poinçon/ sacabocados	--	--	49-16-2681	49-16-2703	--	--	14 gauge	12 gauge
1-1/4"	1.701"	49-16-2666	1-1/4" die/ matrice/troquel	49-16-2667	1-1/4" punch/poinçon/ sacabocados	--	--	49-16-2681	49-16-2703	--	--	14 gauge	12 gauge
1-1/2"	1.951"	49-16-2668	1-1/2" die/ matrice/troquel	49-16-2669	1-1/2" punch/poinçon/ sacabocados	--	--	49-16-2681	49-16-2703	--	--	14 gauge	12 gauge
2"	2.416"	49-16-2670	2" die/ matrice/troquel	49-16-2671	2" punch/poinçon/ sacabocados	--	--	49-16-2681	49-16-2703	--	--	14 gauge	12 gauge
2-1/2"	2.914"	49-16-2672	2-1/2" die/ matrice/troquel	49-16-2673	2-1/2" punch/poinçon/ sacabocados	--	--	49-16-2682	49-16-2704	49-16-2707	49-16-2708	14 gauge	12 gauge
3"	3.539"	49-16-2674	3" die/ matrice/troquel	49-16-2675	3" punch/poinçon/ sacabocados	--	--	49-16-2682	49-16-2704	49-16-2707	49-16-2708	14 gauge	12 gauge
3-1/2"	4.044"	49-16-2676	3-1/2" die/ matrice/troquel	49-16-2677	3-1/2" punch/poinçon/ sacabocados	--	--	49-16-2682	49-16-2704	49-16-2707	49-16-2708	14 gauge	12 gauge
4"	4.544"	49-16-2678	4" die/ matrice/troquel	49-16-2679	4" punch/poinçon/ sacabocados	--	--	49-16-2682	49-16-2704	49-16-2707	49-16-2708	14 gauge	12 gauge
5"	5.665"	49-16-2686	5" die/ matrice/troquel	49-16-2687	5" punch/poinçon/ sacabocados	--	--	49-16-2682	49-16-2704	49-16-2707	49-16-2708	14 gauge	12 gauge
6"	6.748"	49-16-2688	6" die/ matrice/troquel	49-16-2689	6" punch/poinçon/ sacabocados	--	--	49-16-2682	49-16-2704	49-16-2707	49-16-2708	14 gauge	12 gauge

MILWAUKEE TOOL
13135 West Lisbon Road
Brookfield, WI 53005 USA