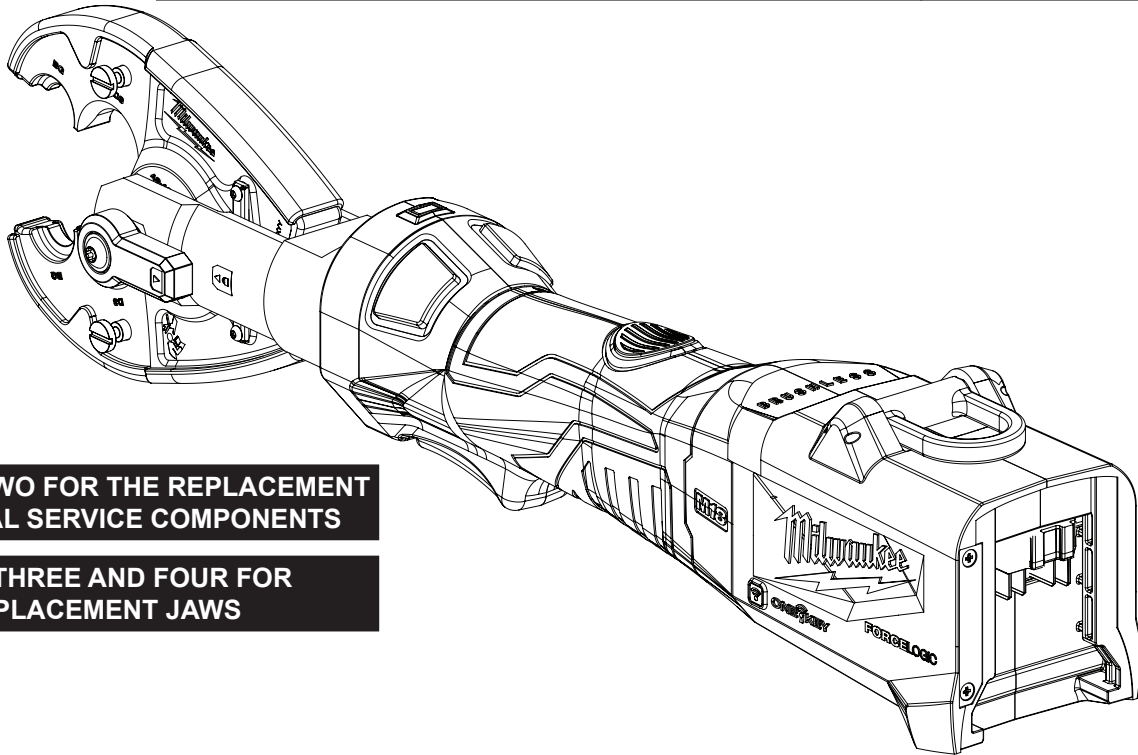




## SERVICE PARTS LIST

BULLETIN NO.  
54-00-2978

SPECIFY CATALOG NO. AND SERIAL NO. WHEN ORDERING PARTS		REVISED BULLETIN	DATE
<b>M18™ FORCELOGIC™ 6T Inline Crimper/Cutter</b>			Dec. 2020
CATALOG NO. <b>2978-20</b>	STARTING SERIAL NO. <b>L36A</b>	WIRING INSTRUCTION	



SEE PAGE TWO FOR THE REPLACEMENT OF EXTERNAL SERVICE COMPONENTS

SEE PAGES THREE AND FOUR FOR SERVICE REPLACEMENT JAWS

**Due to the complexities of One-Key™ electronics and/or Hydraulic/Pneumatic construction in this tool, contact the following for service related questions and issues:**

**e-Service at: [www.milwaukeetool.com/e-service](http://www.milwaukeetool.com/e-service)**

or

questions, please call 1.800.SAWDUST (1.800.729.3878)

or

Visit [www.milwaukeetool.com](http://www.milwaukeetool.com) to find your closest Milwaukee authorized Hydraulic repair center

or

Return it to a MILWAUKEE *factory* Service Center location, freight prepaid and insured. A copy of the proof of purchase should be included with the return product.

If you have questions please contact Milwaukee Product Service at:

**Product Technical Support via phone at: 262.783.8642**

or

**Via email at: [METProductSupport@milwaukeetool.com](mailto:METProductSupport@milwaukeetool.com)**

**Disassembly is not recommended and could void the warranty.**

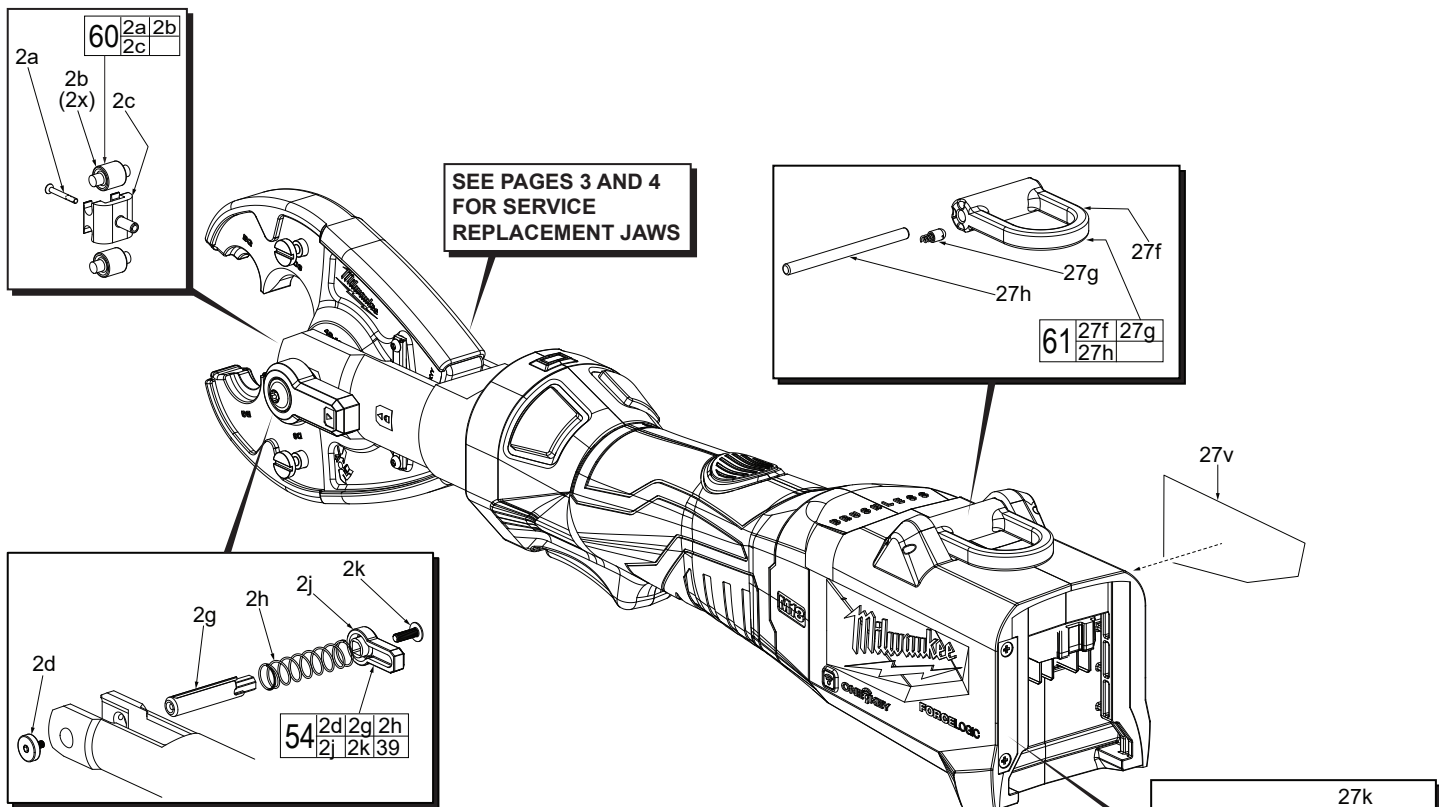


FIG.	PART NO.	DESCRIPTION OF PART	NO. REQ.
2a	06-82-0041	M3 x 25mm Flat Hd. T-8 Mach. Screw	(1)
2b	-----	Roller	(2)
2c	-----	Roller Carrier	(1)
2d	06-87-0010	Thumb Screw	(1)
2g	28-25-0016	Clevis Pin	(1)
2h	40-50-0477	Spring	(1)
2j	44-10-0081	Lever	(1)
2k	05-74-0141	M5 x 16mm PWH T-25 Mach. Screw	(1)
27f	-----	Lanyard Latch Ring	(1)
27g	-----	Steel Cap assembly	(1)
27h	-----	Lanyard Pin	(1)
27k	05-74-0145	M2.6 x 6mm Flat Hd. Phillips ST Screw	(2)
27m	-----	Coin Cell Cover	(1)
27v	12-20-0256	Service Nameplate	(1)
28	-----	Coin Cell PCBA	(1)
29	-----	3V Coin Cell Battery	(1)
39	-----	Logo Label (Not Shown)	(1)
54	44-60-0172	Clevis Pin Kit	(1)
60	44-96-0050	Roller and Carrier Kit	(1)
61	14-47-0222	Hook Ring Kit	(1)
69	22-09-0056	Coin Cell Kit	(1)

# SERVICE REPLACEMENT JAWS

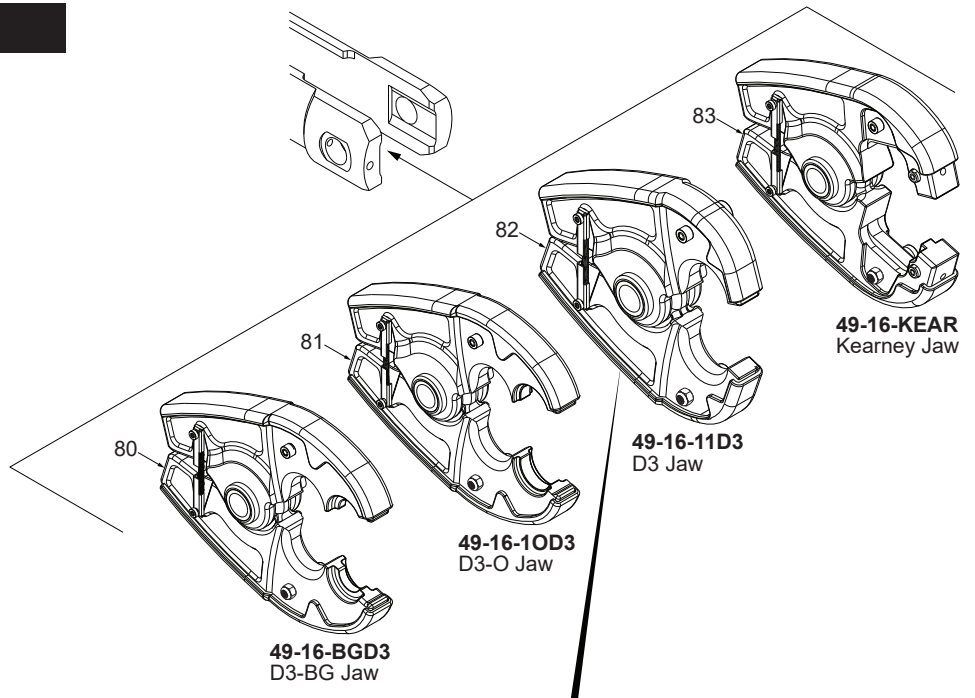
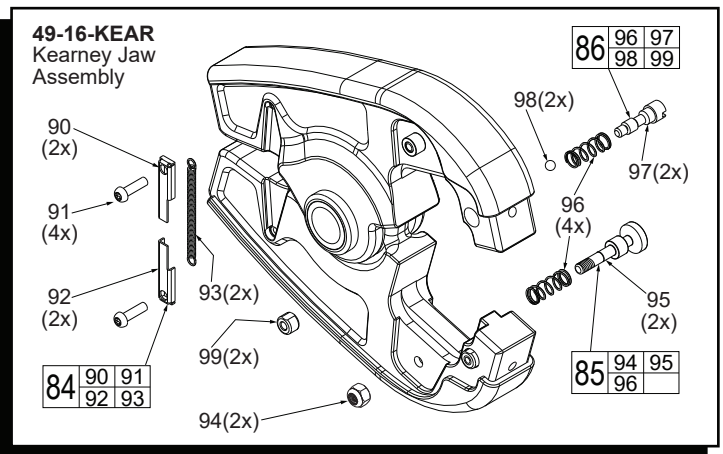
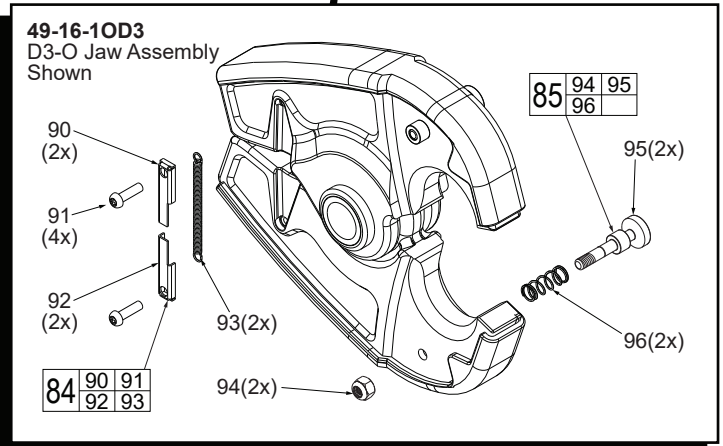
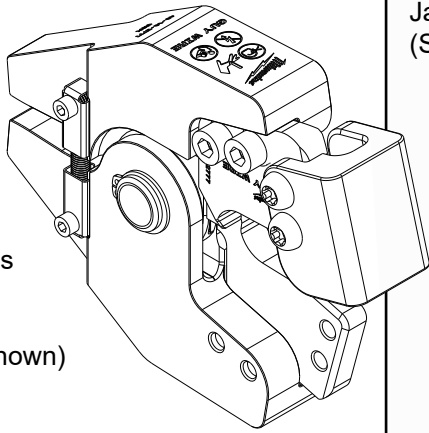


FIG.	PART NO.	DESCRIPTION OF PART	NO. REQ.
80	49-16-BGD3	D3-BG Jaw	(1)
81	49-16-1OD3	D3-O Jaw	(1)
82	49-16-11D3	D3 Jaw	(1)
83	49-16-KEAR	Kearney Jaw	(1)
84	43-90-0250	Jaw Spring and Cover Kit (Set of 1)	(2)
85	44-60-0071	W Die Pin Kit (Set of 1)	(2)
86	44-60-0016	Kearney Die Pin Kit (Set of 1)	(2)
90	-----	Left Spring Cover	(2)
91	-----	Spring Mount Screw	(4)
92	-----	Right Spring Cover	(2)
93	-----	Outer Spring	(2)
94	-----	Lock Nut	(2)
95	-----	Die Pin Post	(2)
96	-----	Die Pin Spring	(2)
97	-----	Kearney Die Pin	(2)
98	-----	Kearney Detent Ball	(2)
99	-----	Kearney Die Pin Cap	(2)
100	44-60-0043	Clevis Pin Upgrade Kit	(1)



# SERVICE REPLACEMENT JAWS

EHS Guy Wire  
Jaw Assemblies  
**49-16-2772**  
**49-16-2773**  
**49-16-2777 (Shown)**



**49-16-2777**  
EHS Guy Wire  
Jaw Assembly  
(Shown)

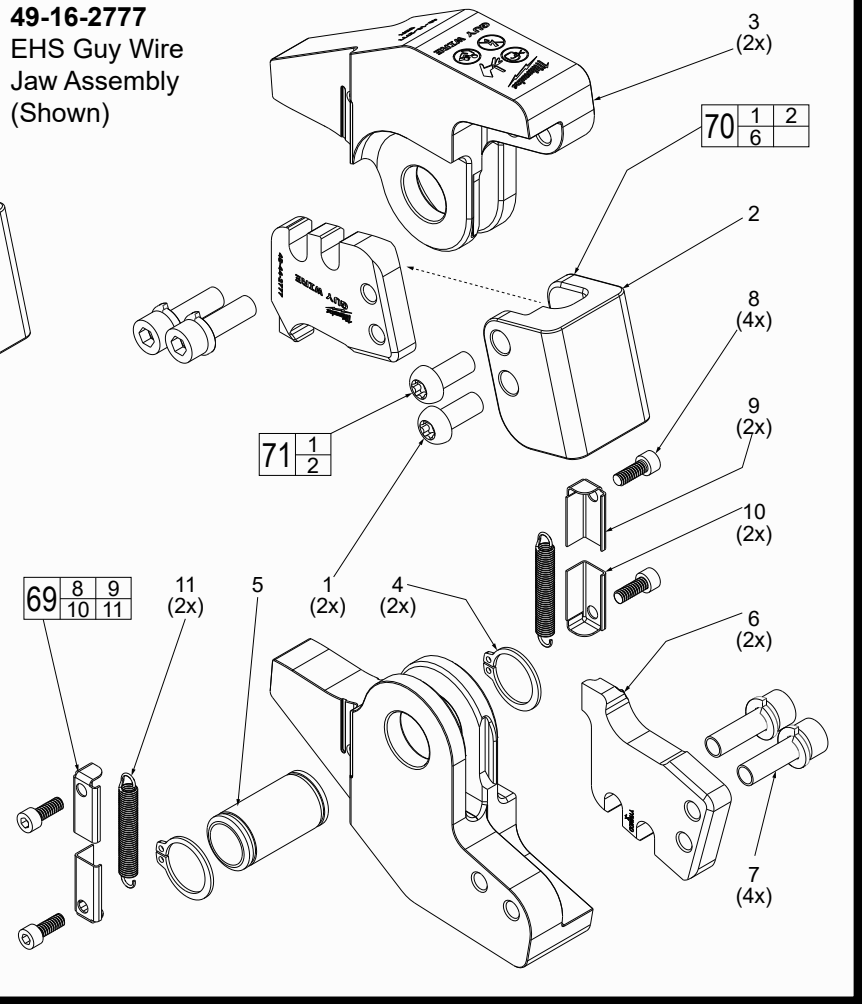


FIG.	PART NO.	DESCRIPTION OF PART	NO. REQ.
1	05-81-0132	M6 x 14mm Pan Hd. T-30 Mach. Screw	(2)
2	-----	Blade Retainer	(1)
3	-----	Guy Wire Jaw	(2)
4	44-86-0042	Retaining Ring	(2)
5	-----	Hollow Pin	(1)
6	-----	Guy Wire Blade	(2)
7	05-74-0001	M6 x 20mm Blade Mount Screw	(4)
8	-----	Spring Mounting Screw	(4)
9	-----	Left Spring Cover	(1)
10	-----	Right Spring Cover	(2)
11	-----	Outer Spring	(2)
69	14-46-0018	Jaw Spring and Cover Service Kit	(1)
70	48-44-2777	EHS Replacement Blade Kit	(1)
71	44-86-2777	Blade Retainer Kit	(1)

TORQUE SPECIFICATIONS			SEAT TORQUE	
FIG.	PART NO.	PART or WHERE USED	(KG/CM)	(IN/LBS)
1	05-81-0132	Screw, Blade Retainer	90±3	78±3
7	05-74-0001	Screw, Guy Wire Blade	110±3	95±3
8	-----	Screw, Left and Right Spring Covers	3-4	2.6-3.4

**LUBRICATION:**

- = Type S2 Grease (7 oz. tube), 49-08-5265
- = 277 Red Loctite®, 44-22-0050

