



PACKOUT™

MODULAR STORAGE SYSTEM

ROLLING TOOL BOX

48-22-8426



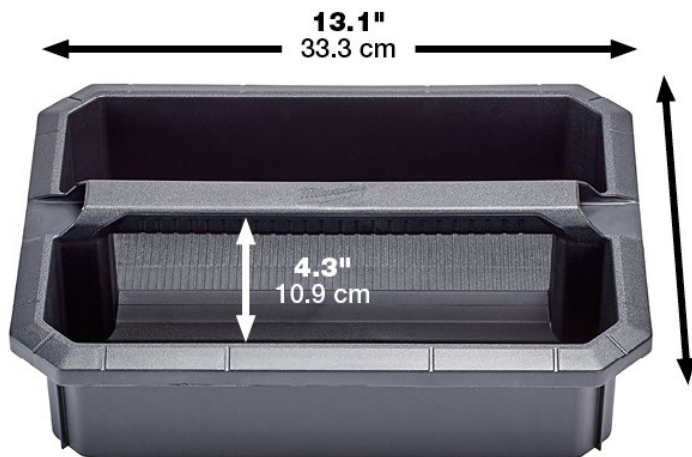
250 LBS
CAPACITY



IMPACT
RESISTANT
BODY



9" ALL-
TERRAIN
WHEELS



10" / 25.4 cm (height)





PACKOUT™

MODULAR STORAGE SYSTEM

2-WHEEL CART

48-22-8415



**STACK
OR HANG**



**400 LBS
CAPACITY**



**10"
FLAT-FREE
WHEELS**

48"
121.9 cm



48"
121.9 cm





PACKOUT™

MODULAR STORAGE SYSTEM

DOLLY

48-22-8410



250 LBS
CAPACITY



QUICKSTOP
LOADING LEVER



SMOOTH
ROLL
WHEELS





PACKOUT™ MODULAR STORAGE SYSTEM

TOOL BOX

48-22-8424



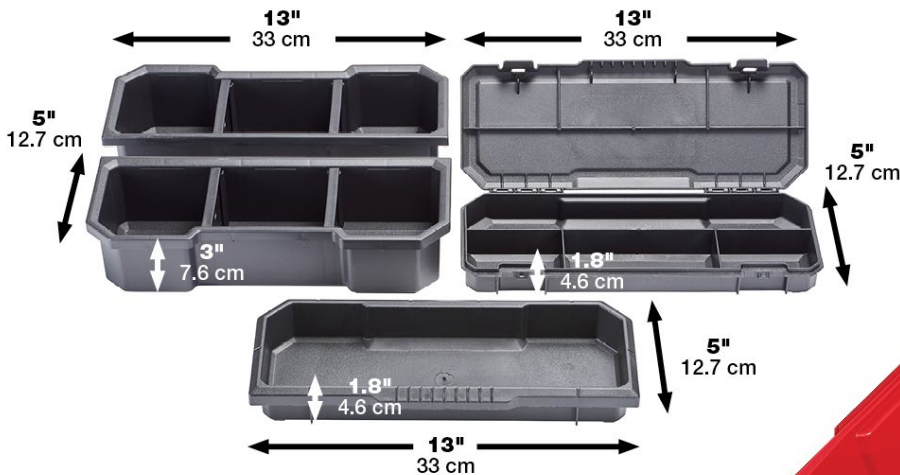
**75 LBS
CAPACITY**



**IMPACT
RESISTANT
BODY**



**IP65
RATED
PROTECTION**





PACKOUT™

MODULAR STORAGE SYSTEM

LARGE TOOL BOX

48-22-8425



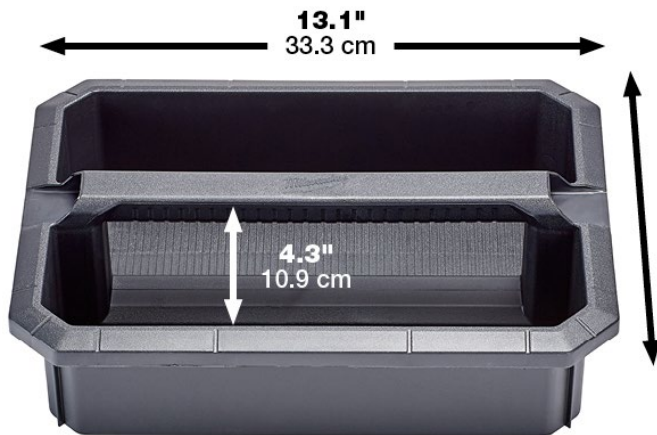
100 LBS
CAPACITY



IMPACT
RESISTANT
BODY



METAL-
REINFORCED
TOP HANDLE





PACKOUT™

MODULAR STORAGE SYSTEM

TOOL CASE WITH CUSTOMIZABLE INSERT

48-22-8450



**IMPACT
RESISTANT
BODY**



**IP65
RATED
PROTECTION**



**CUSTOMIZE
YOUR INSERT**





PACKOUT™

MODULAR STORAGE SYSTEM

COMPACT TOOL BOX

48-22-8422



**IMPACT
RESISTANT
BODY**



**IP65
RATED
PROTECTION**



**QUICK-
ADJUST
DIVIDERS**





PACKOUT™

MODULAR STORAGE SYSTEM

CRATE

48-22-8440



**STACK
OR HANG**



**IMPACT
RESISTANT
BODY**



**50 LBS
CAPACITY**





PACKOUT™

MODULAR STORAGE SYSTEM

3-DRAWER TOOL BOX

48-22-8443



50 LBS
CAPACITY



LOCKING
SECURITY BAR



IMPACT
RESISTANT
BODY





PACKOUT™

MODULAR STORAGE SYSTEM

2-DRAWER TOOL BOX

48-22-8442



50 LBS
CAPACITY



LOCKING
SECURITY BAR



IMPACT
RESISTANT
BODY





PACKOUT™

MODULAR STORAGE SYSTEM

ORGANIZER

48-22-8430



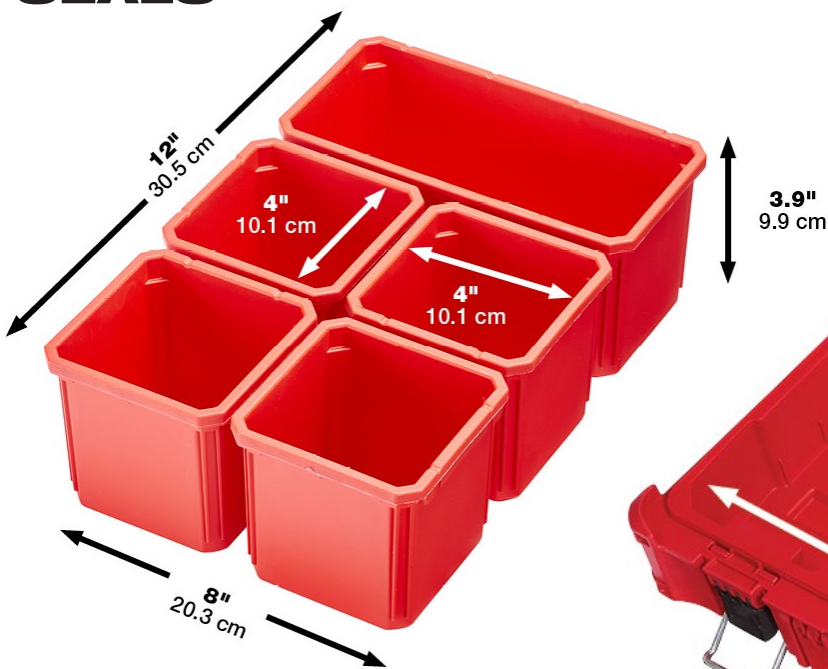
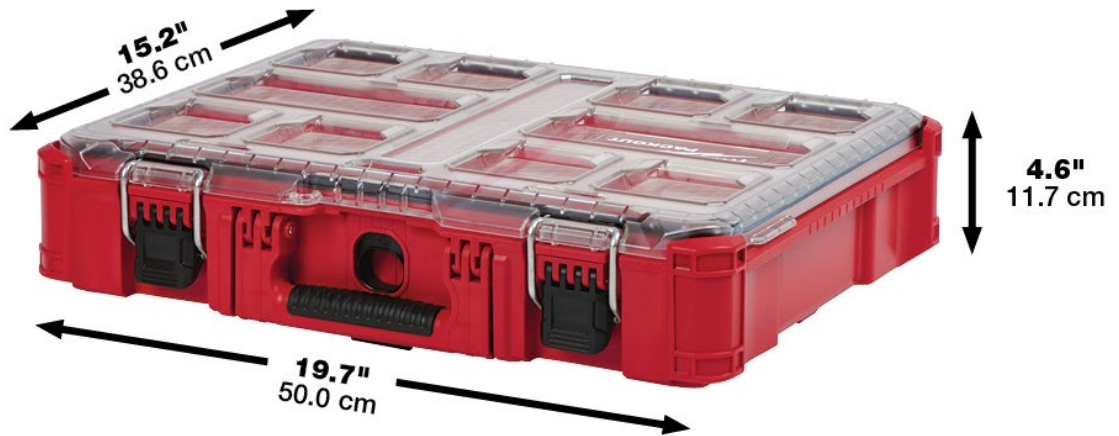
**IMPACT
RESISTANT
BODY**



**IP65
RATED
PROTECTION**



**NO-
TRAVEL BIN
SEALS**





PACKOUT™

MODULAR STORAGE SYSTEM

COMPACT ORGANIZER

48-22-8435



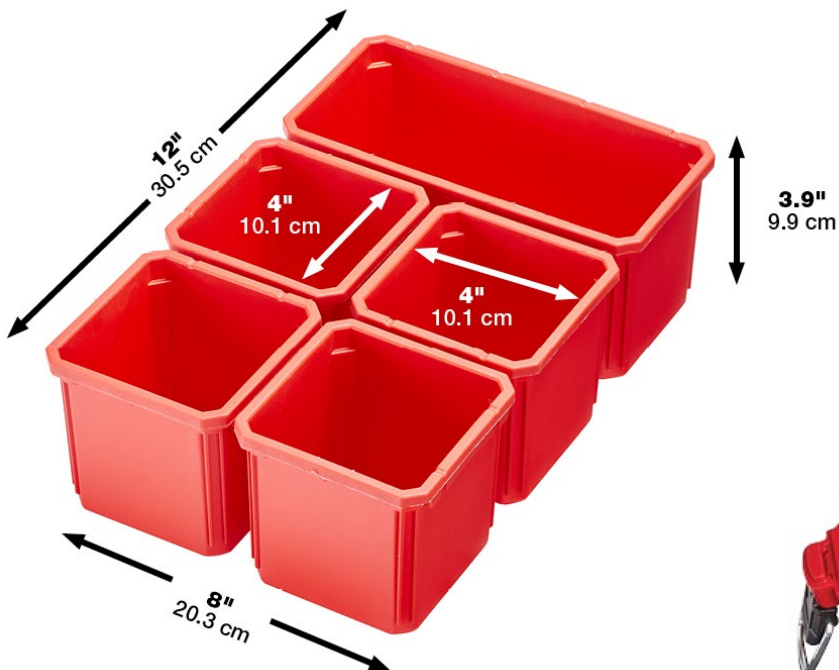
**IMPACT
RESISTANT
BODY**



**IP65
RATED
PROTECTION**



**NO-
TRAVEL BIN
SEALS**





PACKOUT™ MODULAR STORAGE SYSTEM

LOW-PROFILE ORGANIZER

48-22-8431



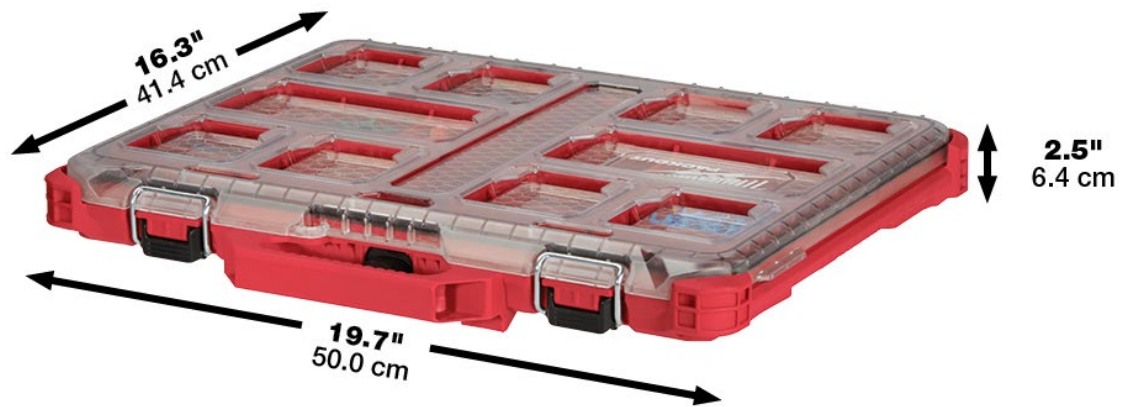
**IMPACT
RESISTANT
BODY**



**IP65
RATED
PROTECTION**



**NO-
TRAVEL BIN
SEALS**





PACKOUT™

MODULAR STORAGE SYSTEM

LOW-PROFILE COMPACT ORGANIZER

48-22-8436



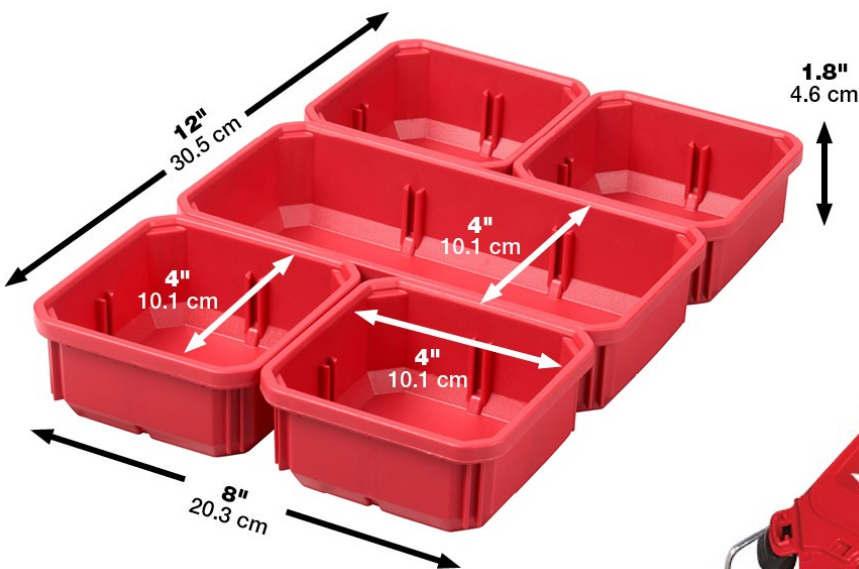
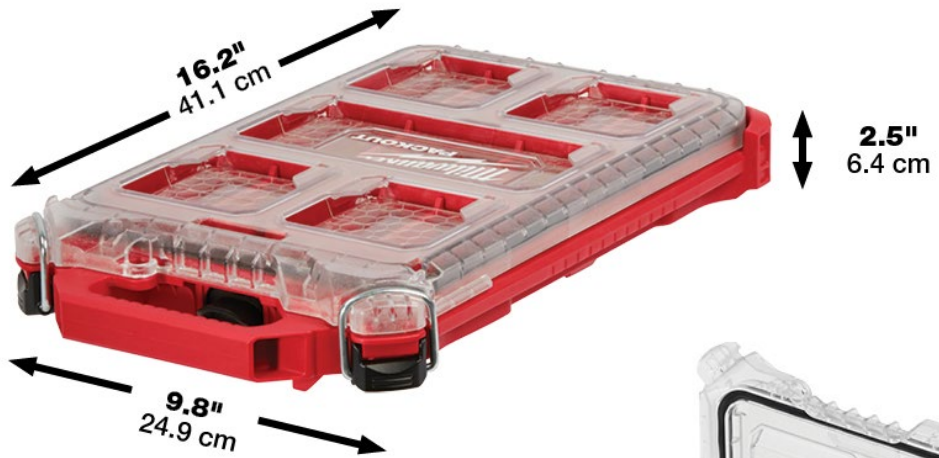
**IMPACT
RESISTANT
BODY**



**IP65
RATED
PROTECTION**



**NO-
TRAVEL BIN
SEALS**





PACKOUT™

MODULAR STORAGE SYSTEM

10" TOTE

48-22-8310



TEAR-RESISTANT MATERIAL



OPTIMIZED STORAGE CAPACITY



ALL-METAL HARDWARE





PACKOUT™

MODULAR STORAGE SYSTEM

15" TOTE

48-22-8315



TEAR-RESISTANT MATERIAL



OPTIMIZED STORAGE CAPACITY



ALL-METAL HARDWARE





PACKOUT™

MODULAR STORAGE SYSTEM

20" TOTE

48-22-8320



TEAR-RESISTANT MATERIAL



OPTIMIZED STORAGE CAPACITY



ALL-METAL HARDWARE





PACKOUT™

MODULAR STORAGE SYSTEM

15" TOOL BAG

48-22-8321



TEAR-RESISTANT MATERIAL



IMPACT RESISTANT BASE



ALL-METAL HARDWARE





PACKOUT™

MODULAR STORAGE SYSTEM

20" TOOL BAG

48-22-8322



TEAR-RESISTANT MATERIAL



IMPACT RESISTANT BASE



ALL-METAL HARDWARE





PACKOUT™

MODULAR STORAGE SYSTEM

BACKPACK

48-22-8301



TEAR-RESISTANT MATERIAL



IMPACT RESISTANT BASE



OPTIMIZED STORAGE CAPACITY





PACKOUT™

MODULAR STORAGE SYSTEM

TECH BAG

48-22-8300



TEAR-RESISTANT MATERIAL



IMPACT RESISTANT BASE



OPTIMIZED STORAGE CAPACITY





PACKOUT™ MODULAR STORAGE SYSTEM

16QT COMPACT COOLER

48-22-8460



**HOLDS
ICE FOR
30 HRS**



**IMPACT
RESISTANT
BODY**



**IP65
RATED
PROTECTION**





PACKOUT™

MODULAR STORAGE SYSTEM

COOLER

48-22-8302



HOLDS
ICE FOR
24 HRS



**IMPACT
RESISTANT
BODY**



**ALL-
METAL
HARDWARE**





PACKOUT™

MODULAR STORAGE SYSTEM

MOUNTING PLATE

48-22-8485



**WALL &
FLOOR
MOUNTING**



**50 LBS
WALL MOUNTED
CAPACITY**



**METAL-
REINFORCED
FRAME**





PACKOUT™

MODULAR STORAGE SYSTEM

RACKING KIT

48-22-8480



VERSATILE MOUNTING
E-TRACK
COMPATIBLE



50 LBS
WALL MOUNTED
CAPACITY



METAL-REINFORCED FRAME





PACKOUT™

MODULAR STORAGE SYSTEM

RACKING SHELF

48-22-8481



VERSATILE MOUNTING
E-TRACK
COMPATIBLE



50 LBS
WALL MOUNTED
CAPACITY



METAL-REINFORCED FRAME





PACKOUT™

MODULAR STORAGE SYSTEM

CUSTOMIZABLE WORK TOP

48-22-8488



FASTENER-READY
MOUNTING SURFACE



50 LBS
WALL MOUNTED
CAPACITY



IMPACT
RESISTANT
BODY





PACKOUT™ MODULAR STORAGE SYSTEM

M18 RADIO + CHARGER

2950-20





PACKOUT™ MODULAR STORAGE SYSTEM

M18 FUEL 2.5 GAL WET/DRY VACUUM

0970-20





PACKOUT™

MODULAR STORAGE SYSTEM

M18 LIGHT/CHARGER

2357-20

TRUEVIEW™
HIGH DEFINITION OUTPUT

