



SERVICE PARTS

BULLETIN NO.
54-49-5215

SPECIFY CATALOG NO. AND SERIAL NO. WHEN ORDERING PARTS				REVISED BULLETIN	DATE
EXPANDABLE LEVELS					Apr. 2018
CATALOG NO.	MLXPM78	DATE CODE	01012018	WIRING INSTRUCTION	
	MLXP712		01012018		

EXAMPLE:
Component Parts (Small #) Are Included
When Ordering The Assembly (Large #).

Model
MLXPM78

Model
MLXP712

Standoff replacement kit used on
model MLXP712 only

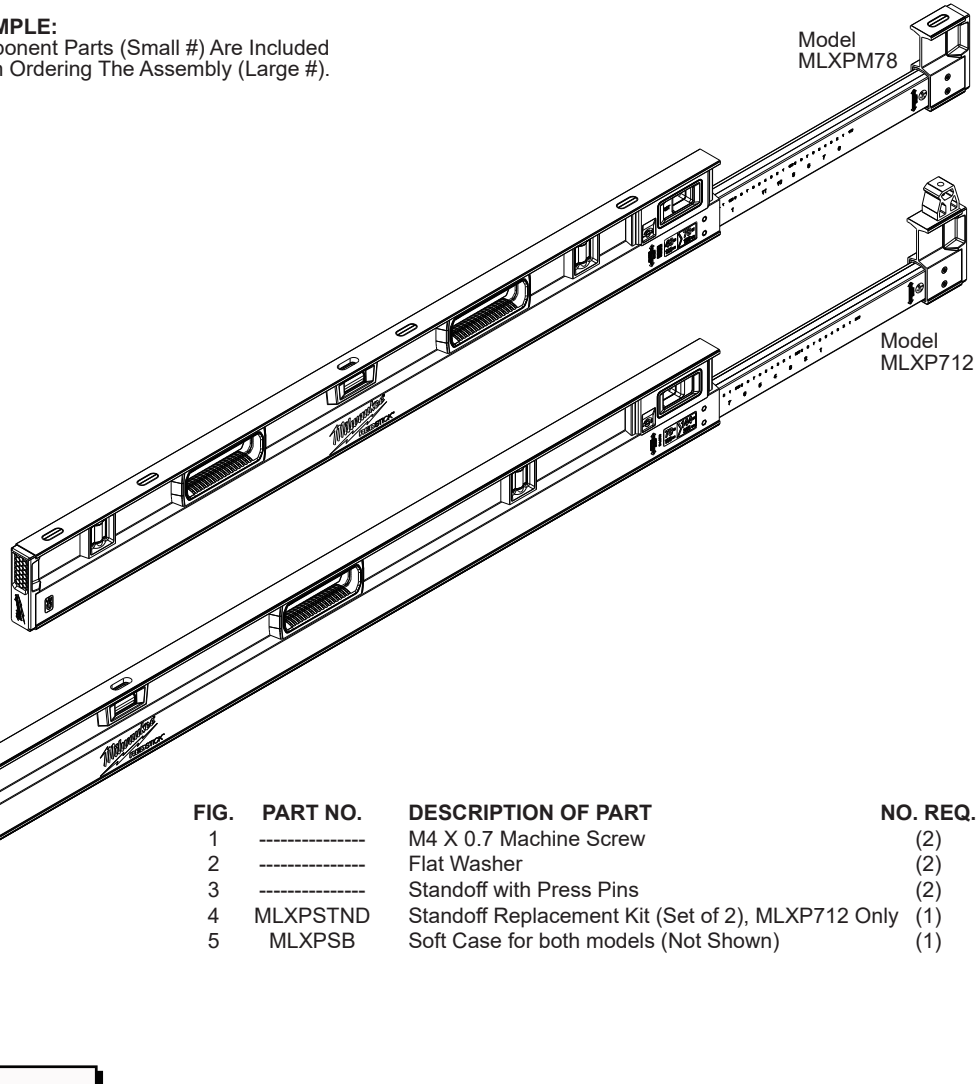
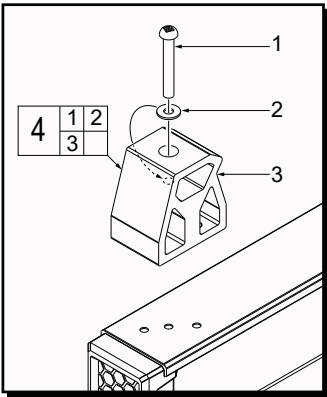


FIG.	PART NO.	DESCRIPTION OF PART	NO. REQ.
1	-----	M4 X 0.7 Machine Screw	(2)
2	-----	Flat Washer	(2)
3	-----	Standoff with Press Pins	(2)
4	MLXPSTND	Standoff Replacement Kit (Set of 2), MLXP712 Only	(1)
5	MLXPSB	Soft Case for both models (Not Shown)	(1)

