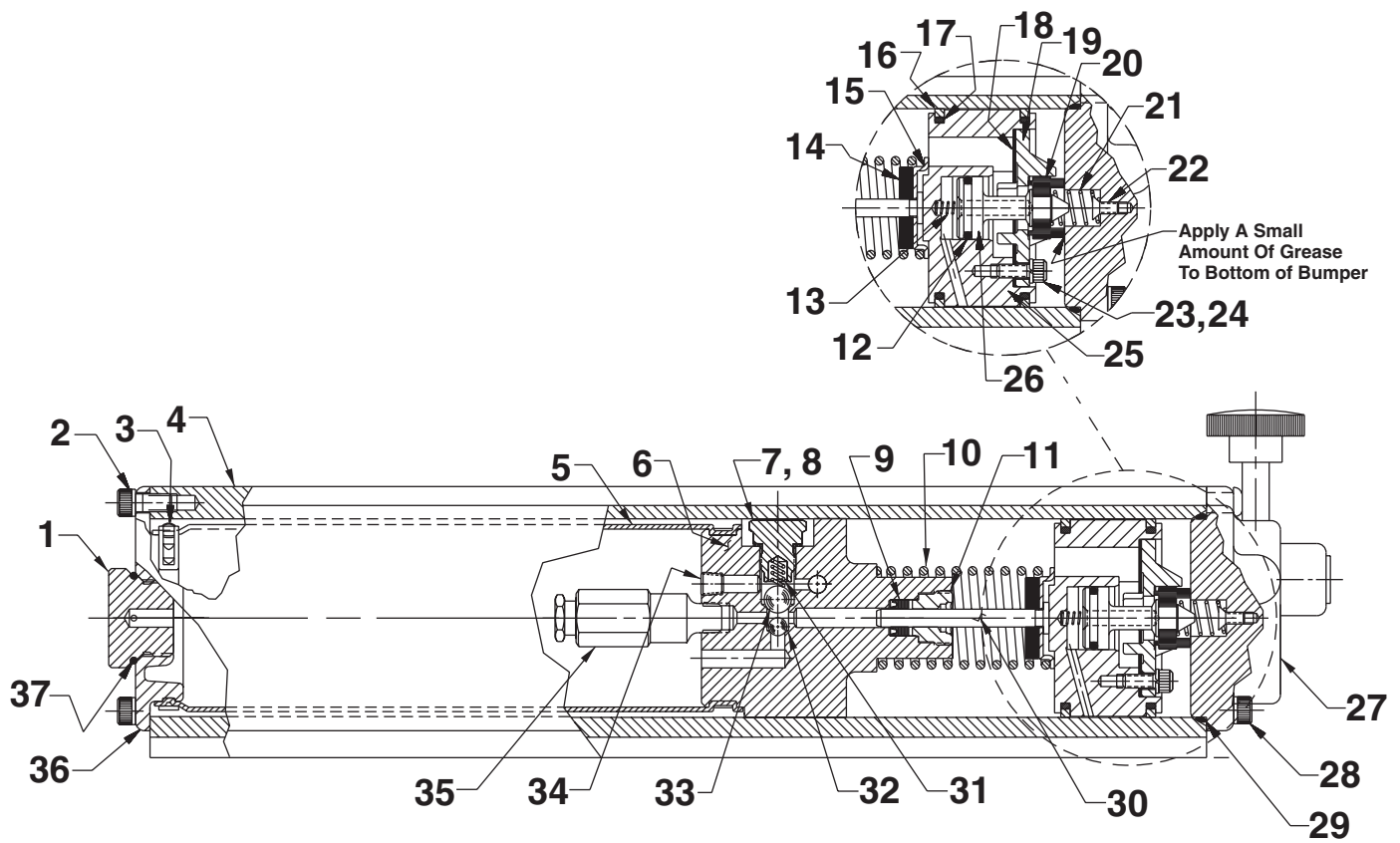
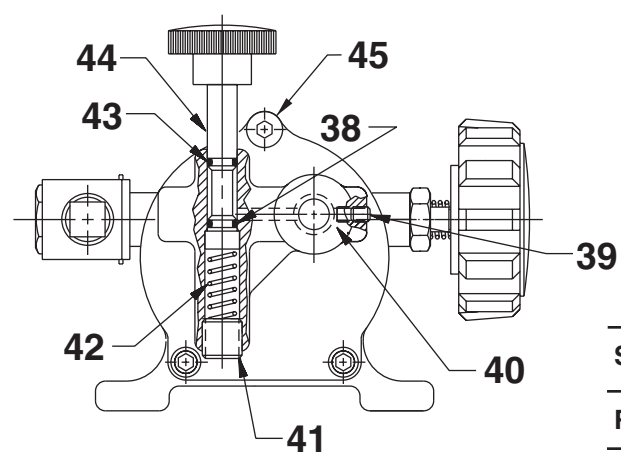


**MODEL B  
AIR/HYDRAULIC PUMP  
TUBE STYLE**



**END VIEW**



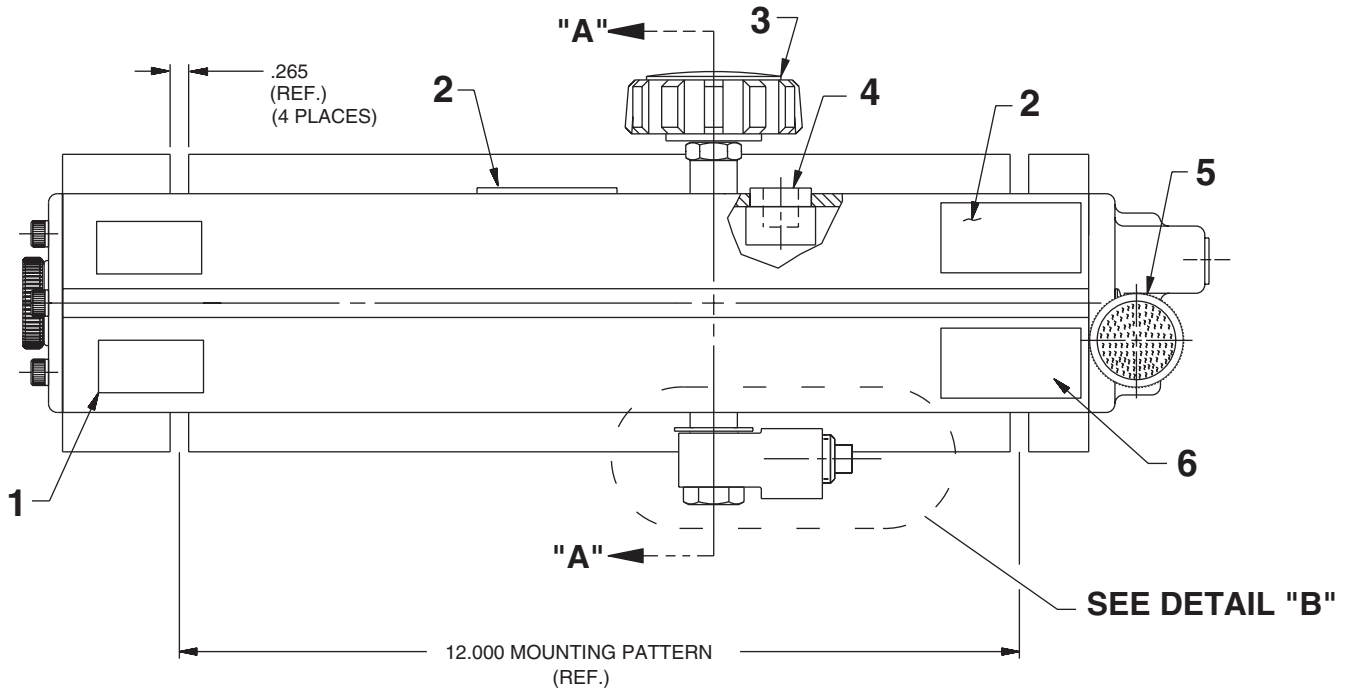
# Parts List, Form No. 107373, Back sheet 1 of 2

Item No.	Part No.	No. Req'd	Description
1	252298	1	Filler Plug
2	10807	3	Cap Screw (1/4-20 X 1/2 Lg.; Torque to 60/80 in. lbs.)
3	*252303	2	Clamp
4	65695	1	Pump Housing
5	*421332	.69 ft.	Bladder
6	65308	1	Pump Body
7	351394	1	Valve Screw (1/2-20 X 25/32 Lg.; Torque to 380/400 in. lbs.)
8	*14874	1	Copper Washer (.700 X 1/2 X 1/32)
9	*13934	1	U-cup
10	*13938	1	Compression Spring (1.452 O.D. X 4-7/16 Lg.)
11	*304295	1	Retainer(Note: For replacement, a moderate amount of heat may have to be applied to the pump body (in the area of the retainer) to soften the existing loctite. Apply Loctite #277, Loctite #680 (provided in repair kit) or equivalent to external threads of new retainer, assemble to pump body & torque to 80/100 in. lbs.)
12	*211052	1	O-ring (.900 X .706 X .097)
13	*12692	1	Compression Spring (3/16 O.D. X 1-11/16" Lg.)
14	*203143	1	Bumper
15	210994	1	Spring Guide
16	*14265	2	Piston Ring
17	*251835	2	O-ring (2-5/16" x 2-1/8 " x 3/32)
18	*28239	1	Gasket
19	33822	1	Piston End Plate Casting
20	*28183	1	Piston Poppet
21	*205679	1	Compression Spring (.485 O.D. X .915 Lg.)
22	205674	1	Flat Head Screw (8-32 X 3/8; Torque to 12/18 in. lbs.)
23	211054	3	Socket Head Screw (10-24 X 1/2; Torque to 50/55 in. lbs.)
24	10241	3	Lockwasher (For #10 bolt)
25	52390	1	Piston Body
26	305475	1	Exhaust Valve Stem
27	58901	1	Rear Head
28	10008	2	Cap Screw (1/4-20 X 3/4 Lg.; Torque to 120/140 in. lbs.)
29	*252349	1	O-ring (2-3/4" X 2.65")
30	28226	1	Piston
31	*10444	1	Compression Spring (3/16 I.D. X 13/32 Lg.)
32	*10375	1	Steel Ball (1/4 Dia.; Seat at assembly)
33	*10378	1	Steel Ball (3/8 Dia.; Seat at assembly)
34	11084	1	Plug Fitting (1/16 NPTF)
35	21278-25	1	Relief Valve (Set at 2,300/2,500 PSI)
36	351409	1	End Filler Cap
37	*16684	1	O-ring (1-3/16" X 1" X 3/32)
38	*12522	1	O-ring (3/8 X 1/4 X 1/16; Urethane; Note: Apply a small amount of grease at assembly.)
39	252981	1	Set Screw (10-24 X 3/8 Lg.; Note: Apply thread sealant.)
40	14794	1	Plastic Cap
41	10566	1	Set Screw (1/2-13 X 1/2 Lg.; Note: Apply thread sealant.)
42	*253479	1	Spring (.36 O.D. X 1" Lg.)
43	*10266	1	O-ring (3/8 X 1/4 X 1/16; Note: Apply a small amount of grease at assembly.)
44	351345	1	Valve Stem
45	250383	1	Button Hd. Screw (1/4-20 UNC x 3/4 Lg.; Torque to 120/140 in. lbs.)

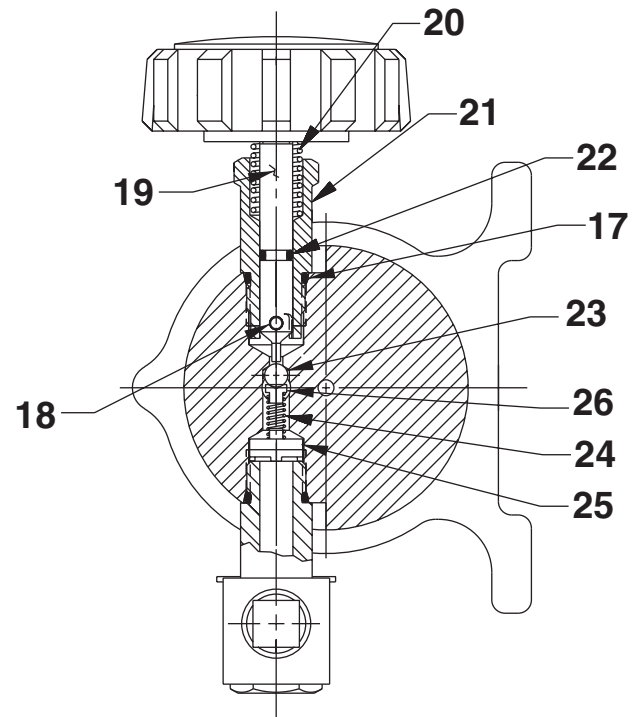
Part numbers marked with an asterisk (\*) are contained in Repair Kit No. 300949.

Note: Shaded areas reflect last revision(s) made to this form.

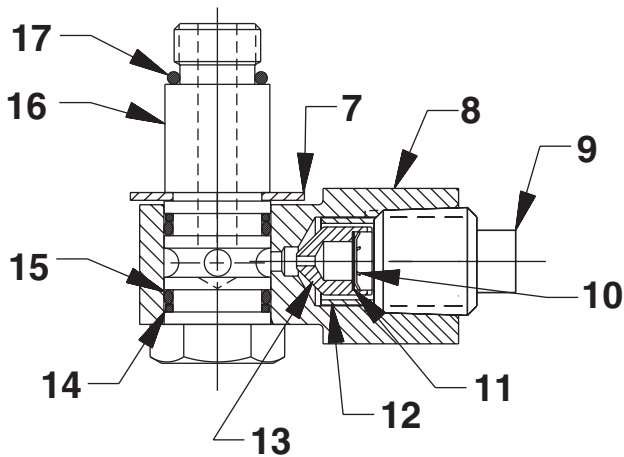
### TOP VIEW



### SECTION A-A



### DETAIL "B"



## Parts List, Form No. 107373, Back sheet 2 of 2

Item No.	Part No.	No. Req'd	Description
1	222142	1	Warning Decal
2	420691	1.5	Decal
3	351368	1	Knob
4	*252300	2	Muffler
5	351346	1	Knob
6	14350	1	Warning Decal
7	11902	1	External Retainer Ring
8	351450	1	Swivel Block
9	11127	1	Plug Fitting (3/8 NPTF)
10	214596	1	Oil Filter Disc
11	12201	1	Internal Retainer Ring
12	214583	1	Retaining Sleeve
13	252191	1	Poppet
14	*12391	2	Backup Washer (11/16 X 9/16 X .048)
15	*11284	2	O-ring (11/16 X 9/16 X 1/16)
16	351375	1	Swivel Fitting
17	*10300	2	O-ring (5/8 X 15/32 X 5/64)
18	10796	1	Dowel Pin (.13 X .50)
19	252535	1	Release Pin
20	*253223	1	Compression Spring (.49 OD x 1.00)
21	351413	1	Pivot Cam (Torque to 280/300 in. lbs.)
22	*10265	1	O-ring (5/16 X 3/16 X 1/16)
23	*10374	1	Steel Ball (7/32" Dia.; Seat at assembly)
24	*14282	1	Compression Spring (1/4 O.D. X 5/8 Lg.)
25	252445	1	Bushing
26	252856	1	Ball Guide

Part numbers marked with an asterisk (\*) are contained in Repair Kit No. 300949.

Note: Shaded areas reflect last revision(s) made to this form.

Refer to any operating instructions included with this product for detailed information about operation, testing, disassembly, reassembly, and preventive maintenance.

Items found in this parts list have been carefully tested and selected. **Therefore: Use only genuine Power Team replacement parts!**

Additional questions can be directed to our Technical Services Department.