



15301955
Edition 1
March 2009

Regulator Assembly

3000 Series

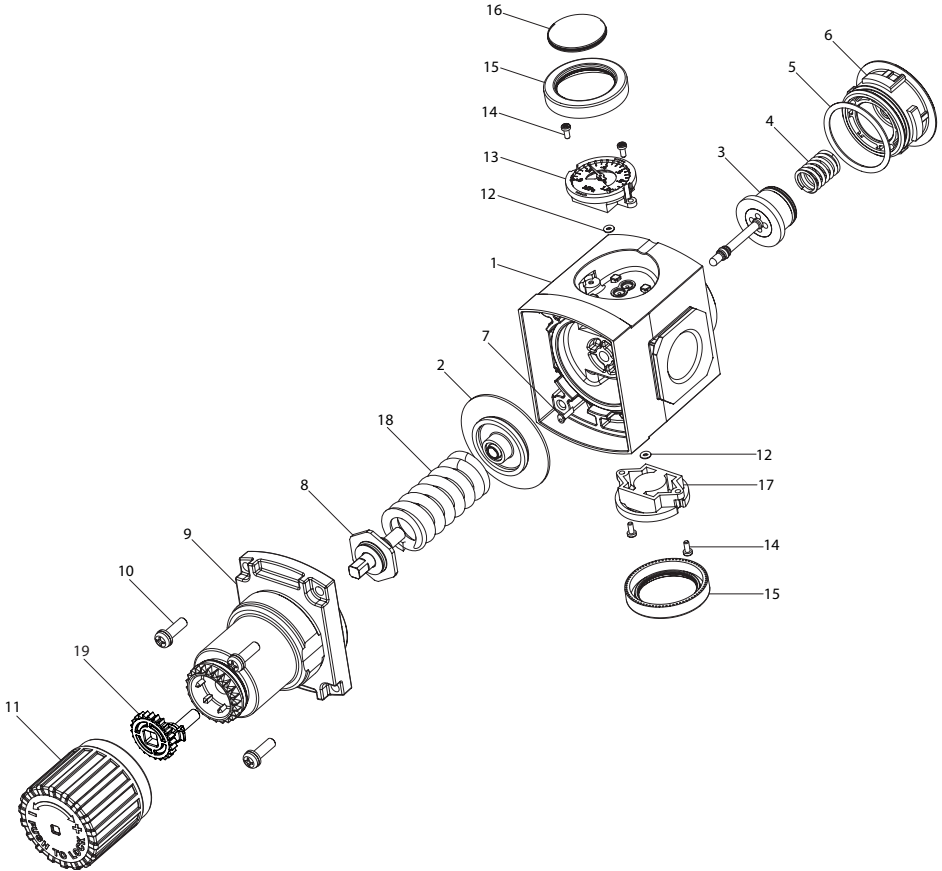
Parts Information



Save These Instructions

 **Ingersoll Rand**

Regulator Assembly 3000 Series R374X1-XXX Exploded Diagram

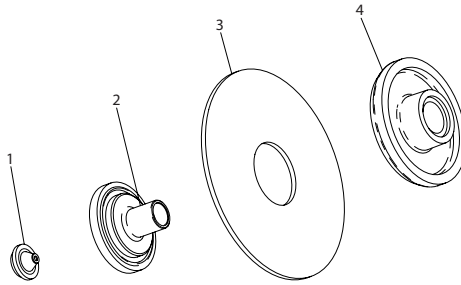


(Dwg. 15321995)

Regulator Assembly 3000 Series R374X1-XXX Parts List

Item	Part Description	Material	Part Number	Item	Part Description	Material	Part Number
1	Regulator Body	Aluminum	---	14	Block Cover Bolt	Steel	---
	3/4" NPT (R37451-XXX)		---	15	Cover Ring	Nylon	---
	1" NPT (R37461-XXX)		---	16	Gauge Cover	Polycarbonate	---
	3/4" BSP (R374E1-XXX)		---	17	Block Cover	Nylon	---
	1" BSP (R374F1-XXX)	---	18	Adjusting Spring			
2	Diaphragm Assembly	---	---	0-50 psi (R374X1-2XX)	---	104456	
3	Valve Assembly	---	---	5-125 psi (R374X1-1XX, R374X1-6XX)	---	104457	
4	Valve Spring	Stainless Steel	---	10-250 psi (R374X1-3XX)	---	104458	
5	Valve Guide "O" Ring	Nitrile	---	19	Tamper Kit	---	104455
6	Valve Guide	Nylon	---	Service Kit (R374X1-X0X) (Relieving: Includes Items 2, 3, 4, 5, 6)	---	104453	
7	Static Pressure Tube	Acetal	---	Service Kit (R374X1-X2X) (Non-Relieving: Includes Items 2, 3, 4, 5, 6)	---	104454	
8	Adjusting Assembly	---	---				
9	Bonnet	Aluminum	---				
10	Bonnet Screw	Steel	---				
11	Handle	Acetal	---				
12	Gauge "O" Ring	Nitrile	---				
13	Flush Type Gauge						
	0-140 psi (R374X1-6XX)	---	104334				

Diaphragm Assembly 3000 Series R374X1-XXX Exploded Diagram

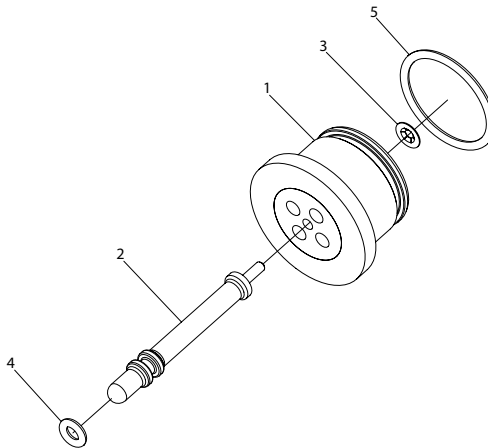


(Dwg. 15322043)

Diaphragm Assembly 3000 Series R374X1-XXX Parts List

Item	Part Description	Material	Part Number
1	Relief Valve Seat	Nitrile	---
2	Relief Valve	Zinc	---
3	Diaphragm	Nitrile+Nylon	---
4	Diaphragm Shell	Aluminum	---

Valve Stem Assembly 3000 Series R374X1-XXX Exploded Diagram

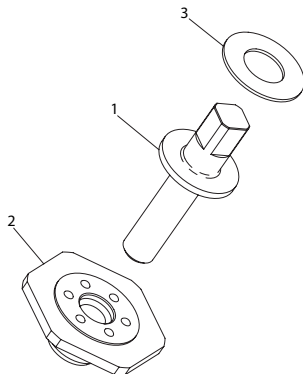


(Dwg. 15322050)

Valve Stem Assembly 3000 Series R374X1-XXX Parts List

Item	Part Description	Material	Part Number
1	Valve Assembly	Nitrile+Nylon	---
2	Stem	Brass	---
3	Pushnut	Spring Steel	---
4	Stem "O" Ring		---
5	Valve "O" Ring	Nitrile	---

Adjusting Assembly 3000 Series R374X1-XXX Exploded Diagram



(Dwg. 15322068)

Adjusting Assembly 3000 Series R374X1-XXX Parts List

Item	Part Description	Material	Part Number
1	Adjusting Bolt	Steel	---
2	Adjusting Nut		---
3	Lining	Teflon	---

Parts and Maintenance

When the life of the tool has expired, it is recommended that the tool be disassembled, degreased and parts be separated by material so that they can be recycled.

Tool repair and maintenance should only be carried out by an authorized Service Center.

Refer all communications to the nearest **Ingersoll Rand** Office or Distributor.

Related Documentation

For additional information refer to:

Product Safety Information Manual 15301765.

Product Information Manual 15301773.

Maintenance Information Manual 15301781.

Manuals can be downloaded from fluids.ingersollrand.com.

Part No. 100400-72

fluids.ingersollrand.com

© 2009 **Ingersoll Rand** Company

