

SALES AND ENGINEERING DATA

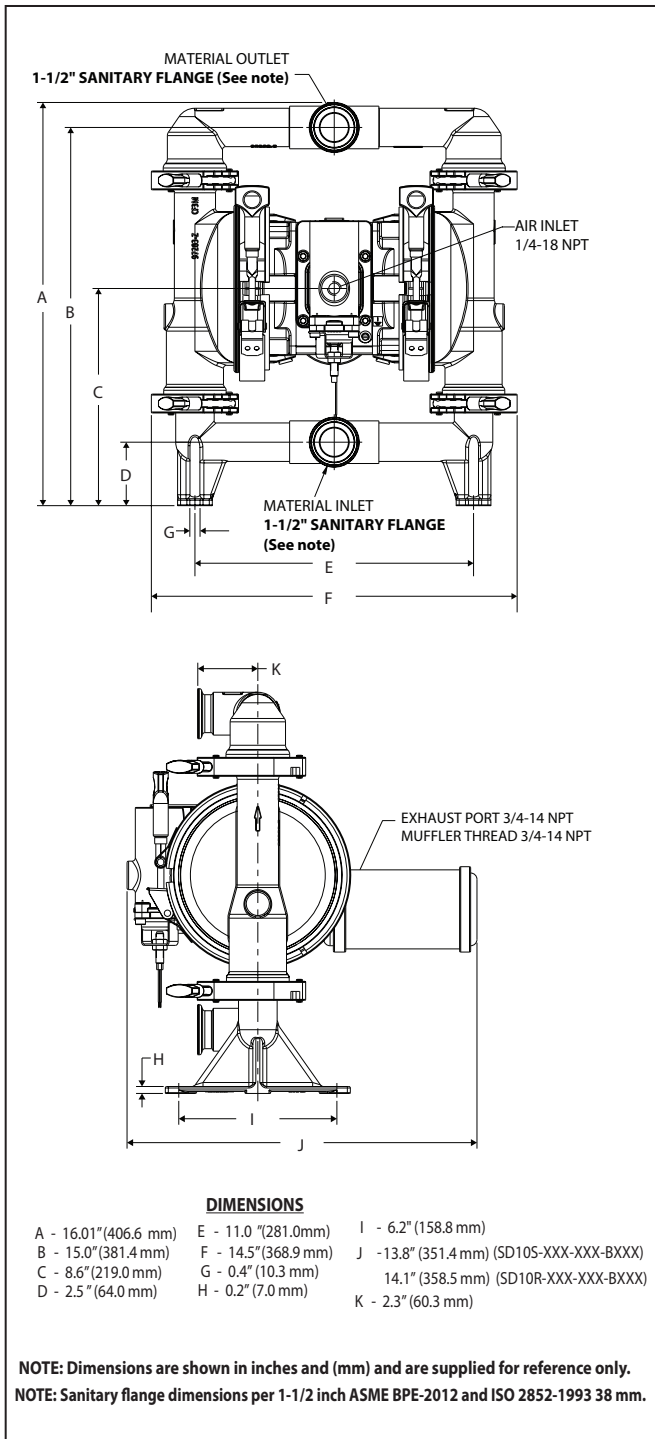
RATIO SERIES: **1:1**

FLUID PSIG RANGE: **20 - 120**

RELEASED: 3-17-17
 REVISED: 3-29-19
 (REV: C) S-1598

SD10X-XXX-XXX-BXXX 1" Metallic Diaphragm Pump

DIMENSIONAL DATA



DIMENSIONS

A - 16.01" (406.6 mm)	E - 11.0" (281.0 mm)	I - 6.2" (158.8 mm)
B - 15.0" (381.4 mm)	F - 14.5" (368.9 mm)	J - 13.8" (351.4 mm) (SD10S-XXX-XXX-BXXX)
C - 8.6" (219.0 mm)	G - 0.4" (10.3 mm)	14.1" (358.5 mm) (SD10R-XXX-XXX-BXXX)
D - 2.5" (64.0 mm)	H - 0.2" (7.0 mm)	K - 2.3" (60.3 mm)

NOTE: Dimensions are shown in inches and (mm) and are supplied for reference only.
 NOTE: Sanitary flange dimensions per 1-1/2 inch ASME BPE-2012 and ISO 2852-1993 38 mm.

SPECIFICATIONS

Model Series	SD10X-XXX-XXX-BXXX
Pump Type	Metallic, air operated, double diaphragm pump
Ratio	1:1
Weight	
SD10S-XXX-XXX-BXXX	58.4 lbs (26.5 kgs)
SD10R-XXX-XXX-BXXX	47.33 lbs (21.47 kgs)
Fluid Section Service Kit	637493-XX
Air Section Service Kit	637495
Major Air Valve Assembly Service Kit	
637496 for models SD10S-XXX-XXX-BXXX	
637496-1 for models SD10R-XXX-XXX-BXXX	

SD10X-XXX-XXX-BXXX

Example: Models SD10S-CSS-5 M M-BXXX 637493-~~XX~~
 Fluid Section Service Kit # 637493-MM Ball-~~J~~-Diaphragm

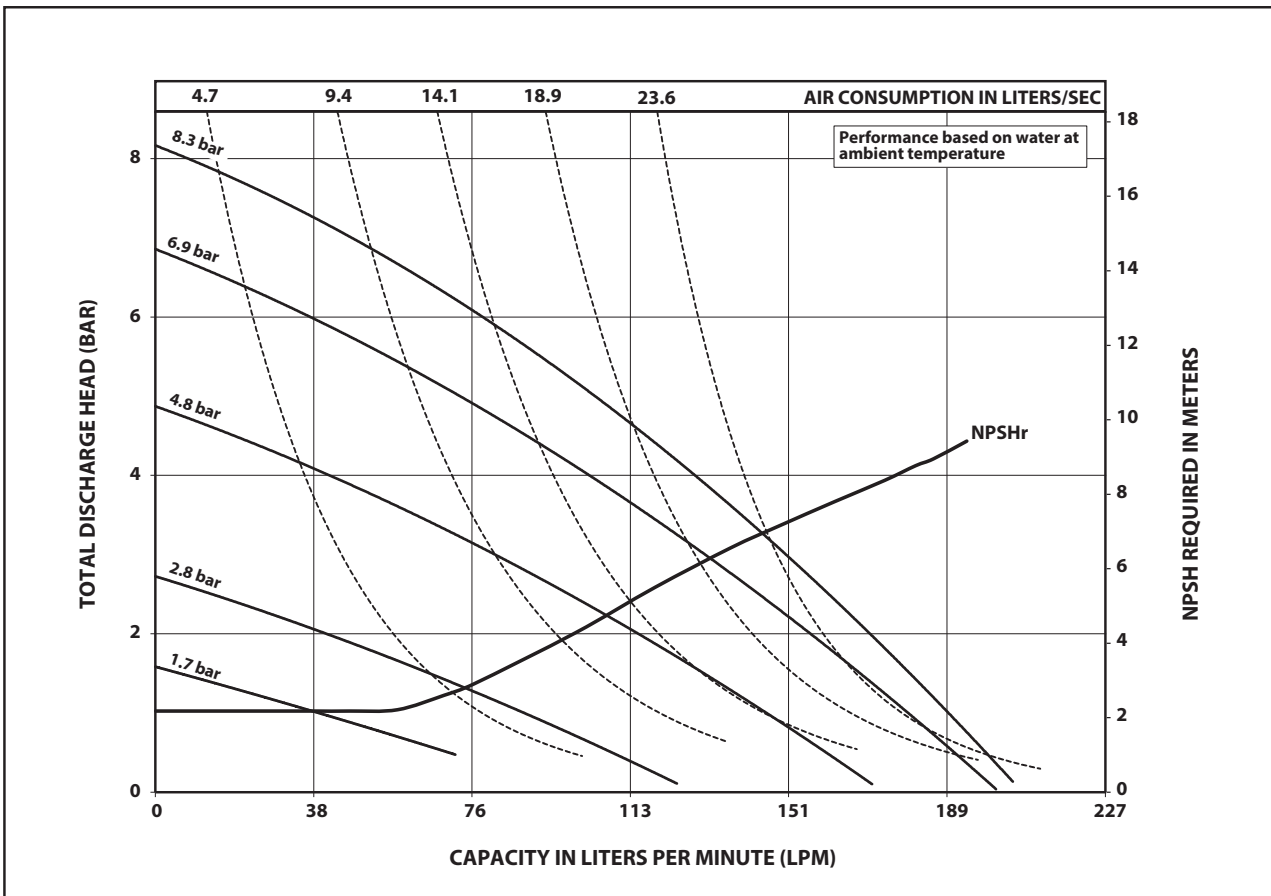
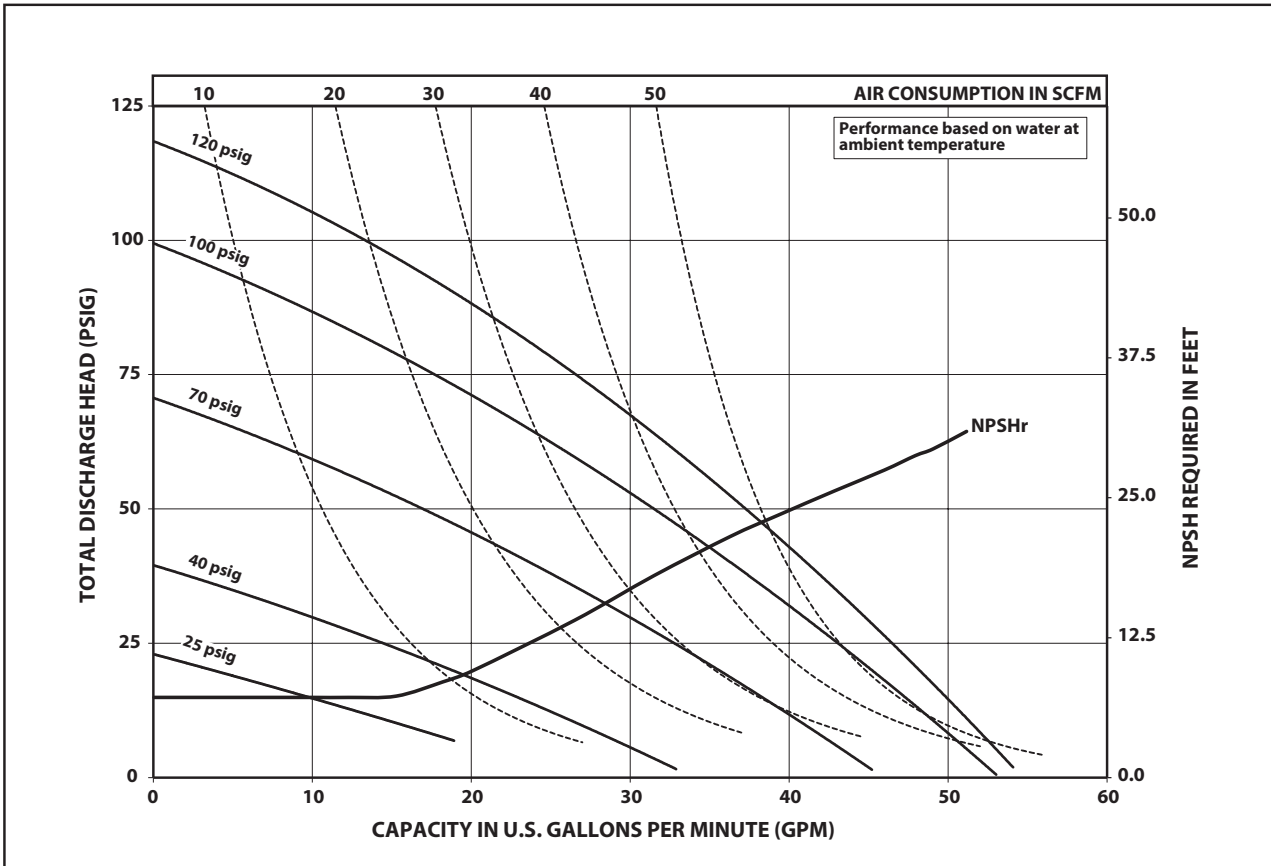
PERFORMANCE

Maximum Air Inlet Pressure	120 psig (8.3 bar)
Maximum Material Inlet Pressure	10 psig (0.69 bar)
Maximum Outlet Pressure	120 psig (8.3 bar)
Maximum Flow Rate	54 gpm (204.4 lpm)
Displacement / Cycle @ 100 psig	0.258 gal (0.98 lit)
Maximum Particle Size	1/8" dia (3.2 mm)
Maximum Temperature Limits (diaphragm / ball / seal / seat material)	
Santoprene®	-40° to 225° F (-40° to 107° C)
PTFE	40° to 225° F (4° to 107° C)
Hytrel®	-20° to 180° F (-29° to 82° C)
Noise Level @ 70 psig, 60 cpm	80.6 dB(A)①

① The pump sound pressure level has been updated to an Equivalent Continuous Sound Level (LAeq) to meet the intent of ANSI S1.13-1971, CAGI-PNEUROP S5.1 using four microphone locations.

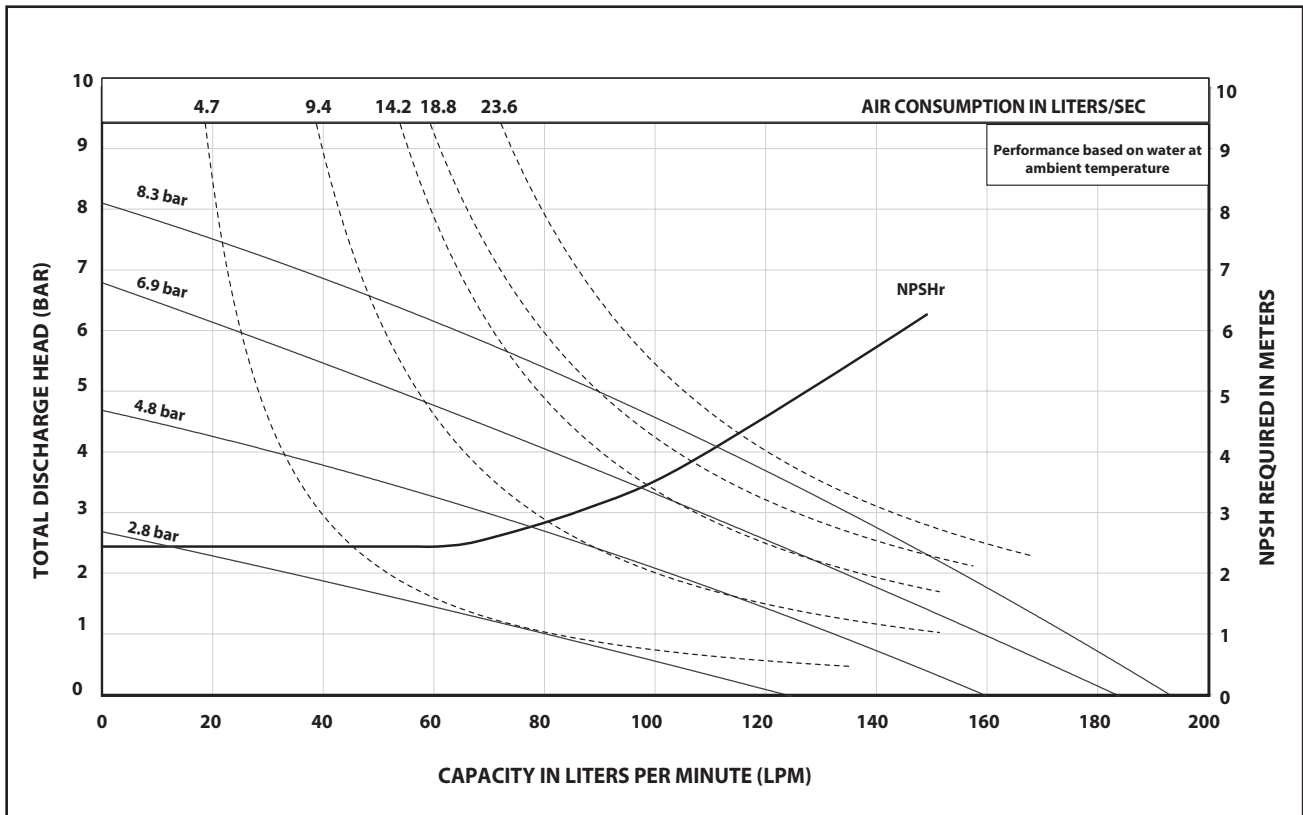
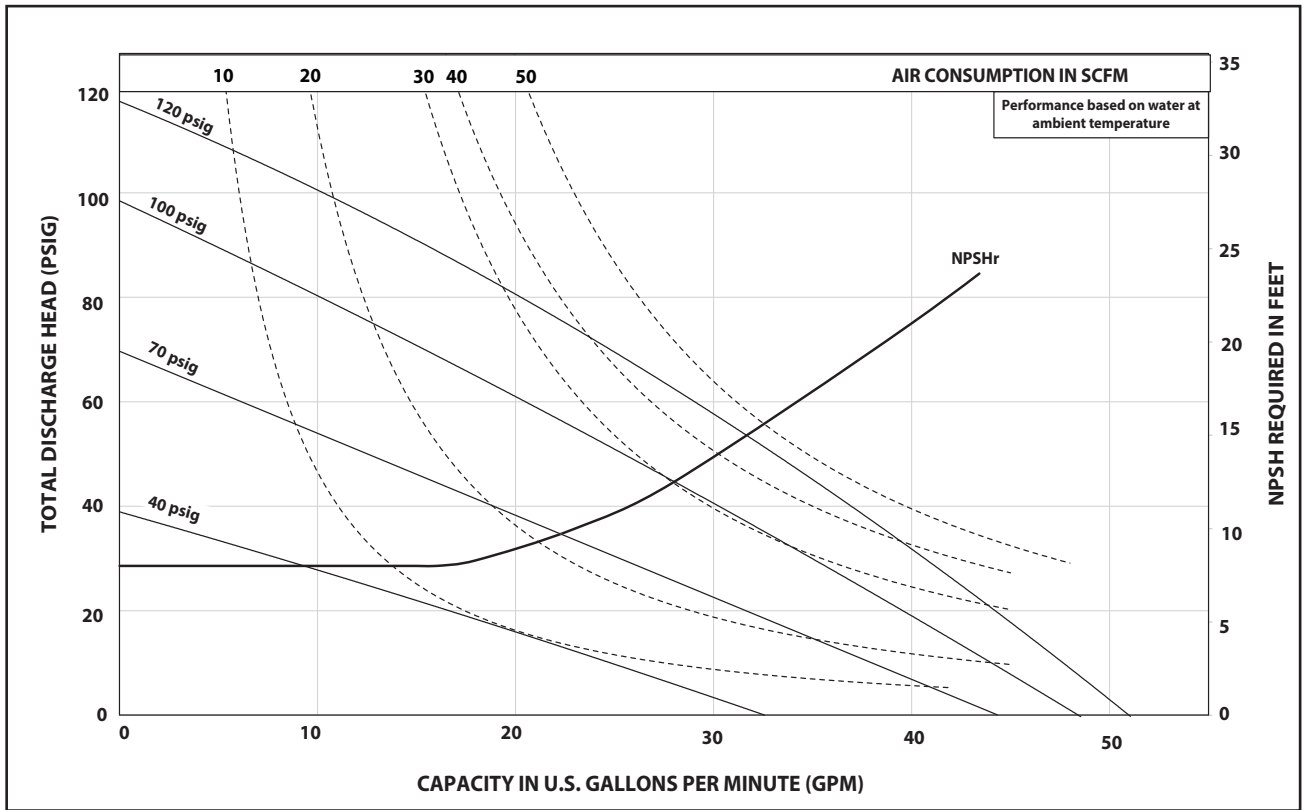
PERFORMANCE CURVES

SD10X-XXX-XXX-BXXX 1" METALLIC DIAPHRAGM PUMP FOR SANTOPRENE DIAPHRAGMS



PERFORMANCE CURVES

SD10X-XXX-XXX-BXXX 1" METALLIC DIAPHRAGM PUMP FOR PTFE COMPOSITE DIAPHRAGMS



NOTES
