

Part No: 1402-007

Inserts

Tee

Desc: 3/4 PVC INSERT TEE INSERTXFPT

MSRP: 3.81

Part Code: 140

Weight(lbs): 0.071

Weight(kg): 0.032

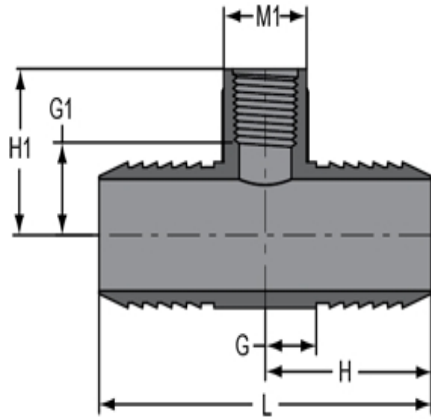
Weight(gm): 32

Size: 3/4"

Color: GRAY

Material: PVC

Connection Insert x Insert x Fipt
Type Standard



G = 21/32

G1 = 13/32

H = 2- 5/32

H1 = 1- 1/8

L = 4- 5/16

M1 = 1- 1/4

Injection Molded Dimension References:

G = (LAYING LENGTH) intersection of center lines to bottom of socket/thread; 90° elbows, tees, crosses; ± 1/32 inch.

H = Intersection of center lines to face of fitting; 90° elbows tees, crosses; ± 1/32 inch.

J = Intersection of center lines to bottom of socket/thread; 45° elbows; ± 1/32 inch

L = Overall length of fittings; ± 1/16 inch.

M = Outside diameter of socket/thread hub; ± 1/16 inch.

N = Socket bottom to socket bottom; couplings; ± 1/16 inch.

W = Height of cap; ± 1/16 inch

Typical Molded Dimension References

