

Part No: 413-010

Schedule 40 White

Elbow

Desc: 1 PVC S/O 90 ELL SOC SCH40

MSRP: 6.74

Part Code: 040

Weight(lbs): 0.174

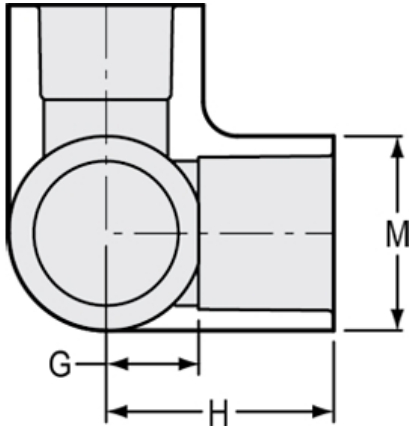
Weight(kg): 0.079

Weight(gm): 79

Size: 1"

Color: WHITE

Material: PVC



G = 13/16

H = 1- 7/8

M = 1- 5/8

Connection Soc x Soc x Soc (Side Outlet)

Angle 90°

Type Standard

Injection Molded Dimension References:

G = (LAYING LENGTH) intersection of center lines to bottom of socket/thread; 90° elbows, tees, crosses; ± 1/32 inch.

H = Intersection of center lines to face of fitting; 90° elbows tees, crosses; ± 1/32 inch.

J = Intersection of center lines to bottom of socket/thread; 45° elbows; ± 1/32 inch

L = Overall length of fittings; ± 1/16 inch.

M = Outside diameter of socket/thread hub; ± 1/16 inch.

N = Socket bottom to socket bottom; couplings; ± 1/16 inch.

W = Height of cap; ± 1/16 inch

Typical Molded Dimension References

