

**Part No:** 417-080

**Schedule 40 White**

**Elbow**

**Desc:** 8 PVC 45 ELL SOC SCH40

**MSRP:** 215.2

**Part Code:** 040

**Weight(lbs):** 6.568

**Weight(kg):** 2.979

**Weight(gm):** 2979

**Size:** 8"

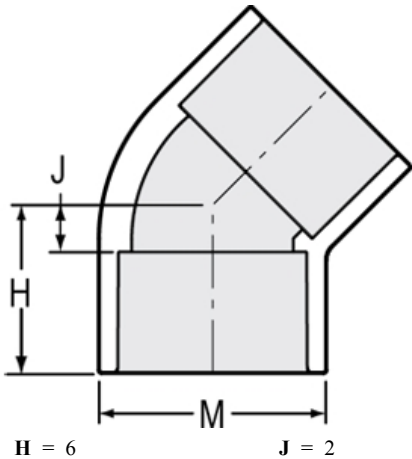
**Color:** WHITE

**Material:** PVC

**Connection** Socket x Socket

**Angle** 45°

**Type** Standard



H = 6

J = 2

M = 9-3/8

## Injection Molded Dimension References:

**G** = (LAYING LENGTH) intersection of center lines to bottom of socket/thread; 90° elbows, tees, crosses; ± 1/32 inch.

**H** = Intersection of center lines to face of fitting; 90° elbows tees, crosses; ± 1/32 inch.

**J** = Intersection of center lines to bottom of socket/thread; 45° elbows; ± 1/32 inch

**L** = Overall length of fittings; ± 1/16 inch.

**M** = Outside diameter of socket/thread hub; ± 1/16 inch.

**N** = Socket bottom to socket bottom; couplings; ± 1/16 inch.

**W** = Height of cap; ± 1/16 inch

## Typical Molded Dimension References

