



16574550
Edition 7
March 2022

Air Screwdriver

1R Series

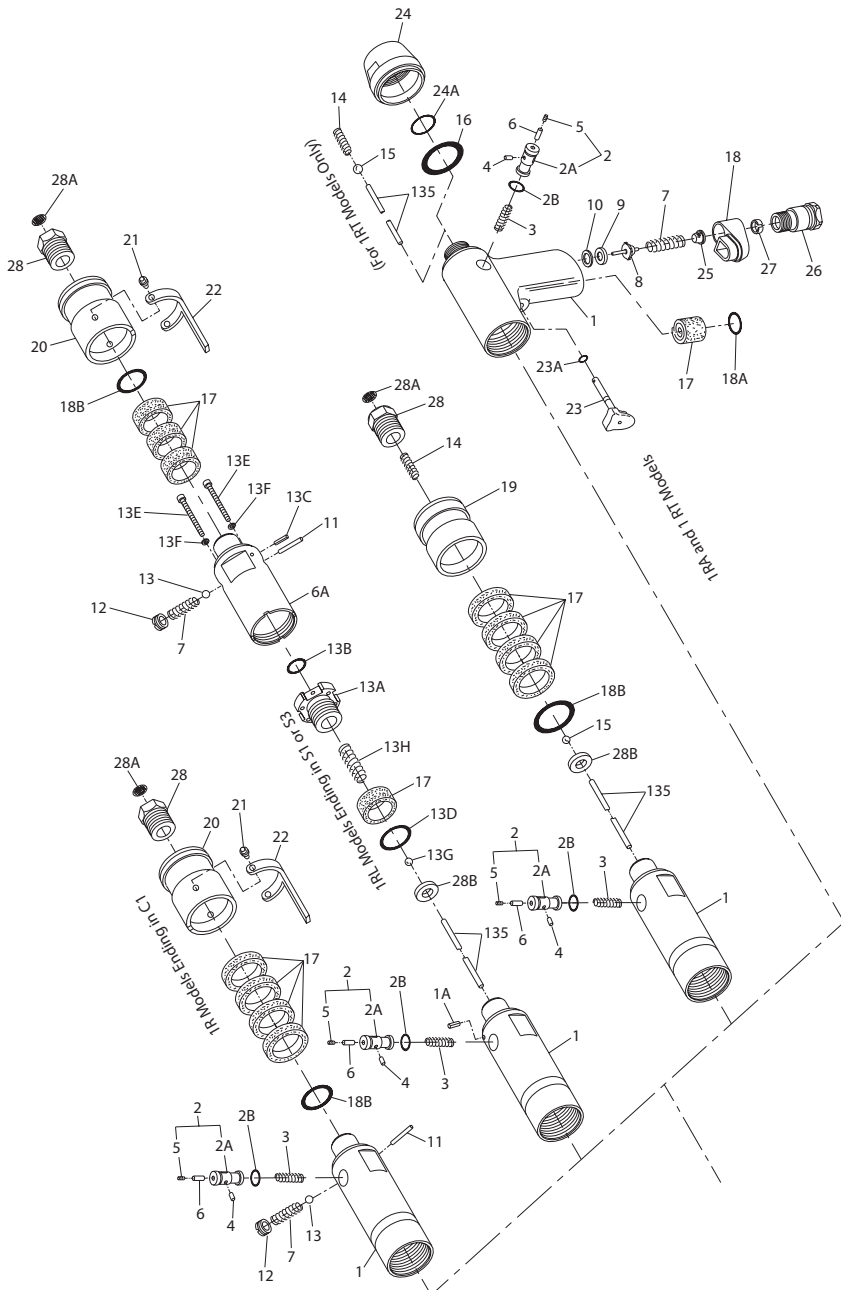
Parts Information



Save These Instructions

IR Ingersoll Rand®

1R Series, Screwdriver Motor Housing Assemblies - Exploded View



1R Series, Screwdriver Motor Housing Assemblies - Parts List

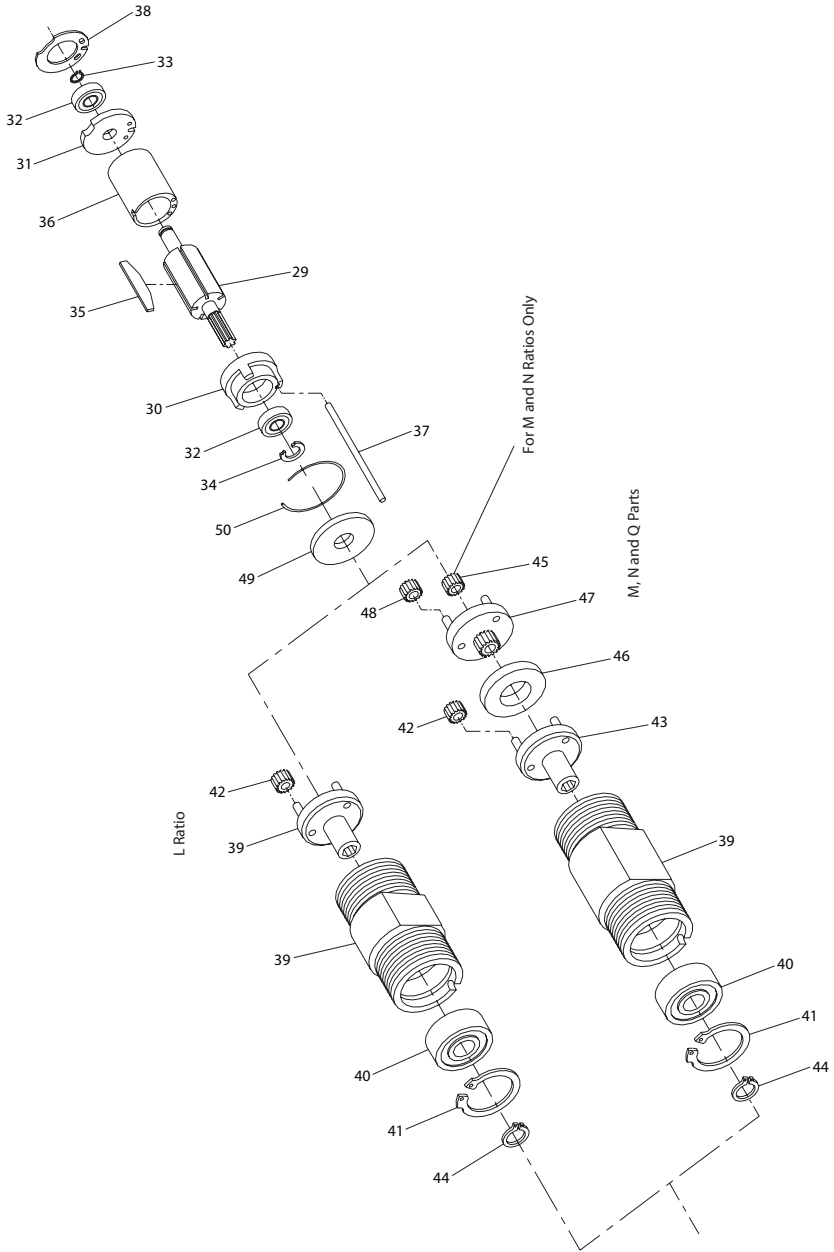
Item	Part Description	Part Number	Item	Part Description	Part Number
	Motor Housing Assembly		13F	Throttle Valve Housing Cap Screw Lock Washer (4 required)	3RL-511
	for 1RA models	3RA-EU-A40	13G	Throttle Ball for 1RL Models ending in S1 or S3	
	for 1RL models ending in C1-, C3-, 9D- or D1-	3RL-EU-A40		Throttle Ball Spring (for 1RL Models ending in S1 or S3)	8U-722
	for 1RP models	3RP-EU-A40		Throttle Ball Spring (for 1RL Models ending in S1 or S3)	3RP-51
	for 1RT models	3RT-EU-A40	† 14	Throttle Ball Spring	
1	Motor Housing			for 1RP Models	3RP-51
	for 1RA and 1RT models	3RA-EU-B40		for 1RT Models	3RT-51
	for 1RL models ending in C1-, C3-, 9D- or D1-	3RL-EU-B40	• 15	Throttle Ball (for 1RP and 1RT Models)	8U-722
	for 1RL models ending in S1- or S3-	3RLS-EU-B40	†• 16	Housing Seal (for 1RA and 1RT Models)	3RL-210
	for 1RP models	3RP-EU-B40	†• 17	Muffler Element	
1A	Valve Housing Alignment Pin (for 1RL Models ending in S1 or S3)	3RL-15		for 1RA and 1RT Models	3RA-310
				for 1RL and 1RP Models (4 required)	3RL-311
2	Metric Kit for Reverse Valve	47761264	18	Muffler Assembly (for 1RA and 1RT Models)	3RA-A123
2A	Reverse Valve	---	†• 18A	Muffler O-Ring	85H-167
• 2B	Reverse Valve Seal	WFS182-307	†• 18B	Exhaust Deflector Seal (for 1RL and 1RP Models)	3RL-210
• 3	Reverse Valve Spring	SPA102R-515	19	Exhaust Deflector (for 1RP Models)	3RP-23
• 4	Valve Lock Pin	SPA102R-667		Exhaust Deflector Assembly (for 1RL Models)	3RL-A23
• 5	Retainer Setscrew	---	20	Exhaust Deflector	3RL-23
• 6	Lock Pin Retainer	3RL-668	21	Throttle Lever Pin (2 required)	3RL-120
6A	Throttle Valve Housing (for 1RL Models ending in S1 or S3)	3RL-503	22	Throttle Lever	3RL-273
†• 7	Throttle Valve Spring		• 23	Trigger Assembly (for 1RA and 1RT Models)	3RA-A93
		for 1RA and 1RT Models	3RA-51	†• 23A	Trigger Pin Seal
	for 1RL Models	3RL-51	24	Back Cap Assembly (for 1RA and 1RT Models)	3RA-A202
† 8	Throttle Valve (for 1RA and 1RT Models)	7RAK-302	†• 24A	Back Cap O-Ring	AF120-290
†• 9	Valve Seat (for 1RA and 1RT Models)	7RAK-303	† 25	Inlet Screen (for 1RA and 1RT Models)	ROA2-61
10	Valve Seat Support	7RAK-304	26	Inlet Bushing (for 1RA and 1RT Models)	3RA-465
11	Throttle Valve Plunger (for 1RL Models)	3RL-302	27	Inlet Bushing Spacer (for 1RA and 1RT Models)	3RA-65
12	Throttle Valve Cap (for 1RL Models)	3RL-266	28	Inlet Bushing Assembly (for 1RL and 1RP Models)	3RL-A465
• 13	Throttle Valve Ball (for 1RL Models)	4U-722	† 28A	Inlet Screen	3RL-61
13A	Throttle Valve Housing Adapter (for 1RL Models ending in S1 or S3)	3RL-502	*	Warning Label	WARNING-28-99
• 13B	Throttle Valve Housing Adapter Seal (for 1RL Models ending in S1 or S3)	PS3-67	28B	Seat (for 1RL Models ending in S1 or S3 and all 1RA and 1RT Models)	3RP-303
13C	Exhaust Deflector Alignment Pin (for 1RL Models ending in S1 or S3)	3RL-15	28C	Nameplate	4725032
13D	Throttle Valve Housing Seal (for 1RL Models ending in S1 or S3)	3RL-210			
13E	Throttle Valve Housing Cap Screw (4 required) (for 1RL Models ending in S1 or S3)	3RL-510			

* Indicates not illustrated.

• Indicates common-wear parts. Maintain stock to reduce downtime.

† Indicates Tune-up Kit part.

1R Series, Motor and Gearing - Exploded View



1R Series, Motor and Gearing - Parts List

Item	Part Description	Part Number	Item	Part Description	Part Number	
29	Rotor		44	Spindle Retaining Ring	3RL-6	
	for 1RP and 1RT Models and 1RL Models ending in S1 or S3	3RP-53	45	Rotor Pinion (for M, N or P ratios)	3RLM-17	
	for 1RA Models and 1RL Models ending in C1, C3, 9D or D1	3RL-53	46	Gear Head Spacer (for M, N and Q ratios)	3RL-80	
30	Front End Plate	3RL-11	47	Gear Head		
				for M ratio	3RLM-216	
31	Rear End Plate			for N and P ratios	3RLN-216	
	for 1RP, 1RT, 1RA and 1RL Models	3RL-12	for Q ratio	3RLQ-216		
	for 1RP and 1RTP Models	3RPP-12	48	Gear Head Planet Gear (3 required)		
† 32	Rotor Bearing (2 required)	DG10-22		for M, N and ratios (14 teeth)	3RLM-10	
				for Q ratio (19 teeth)	3RLN-10	
† 33	Rear Rotor Bearing Retainer	85L-305	49	Motor Clamp Washer	3RL-207	
† 34	Front Rotor Bearing Retainer	3RL-13	50	Clamp Washer Retaining Ring	3RL-208	
† 35	Vane Packet (set of 5 Vanes)	3RL-42-5	*	Suspension Bail (for Models 1RL and 1RP)	7L-365	
36	Cylinder	3RL-3	*	Hanger (for Models 1RA and 1RT)	3RA-365	
37	Cylinder Dowel	3RL-98	*	Hand Grip (for Models 1RL and 1RP)	3RP-747	
† 38	Rear End Plate Gasket	3RL-739	*	Exhaust Hose (for Models 1RL and 1RP)	3RL-284	
39	Gear Case Assembly		*	Tune-up Kit for 1RA and 1RT Models (includes illustrated parts 7, 8, 9, 14, 16,17, 18A, 23A, 24A, 25, 32, 33, 34,35 and 38)	3RA-TK2	
	for L ratio	3RLL-A37		40	Tune-up Kit for 1RL and 1RP Models (includes illustrated parts 7, 14, 17, 18B, 28A, 32, 33, 34, 35, and 38)	3RL-TK2
	for M, N and Q ratios	3RLM-A37			41	Inlet Bushing (1/4" NPT) (for 1RL and 1RP Models only)
42	Spindle Planet Gear (3 required)					
	for L ratio (19 teeth)	3RLL-10				
	for M ratio (14 teeth)	3RLM-10				
	for N and Q ratios (17 teeth)	3RLN-10				
43	Spindle					
	for L ratio	3RLL-108				
	for M ratio	3RLM-108				
	for N or Q ratios	3RLN-108				

* Indicates not illustrated.

• Indicates common-wear parts. Maintain stock to reduce downtime.

† Indicates Tune-up Kit part.

1R Series, Adjustable Cushion Clutch and Adjustable Shutoff Clutch - Parts List

Item	Part Description	For 1RA or 1RL Models Ending in C1 or C3		For 1RL, 1RP or 1RT Models Ending in S1 or S3	
		3C1	3C3	3S1	3S3
	Adjustable Clutch Attachment (with light clutch spring)	3C1	3C3	3S1	3S3
100	Clutch Housing Assembly	3C1-A580A	3S3-A580	3C1-A580A	3S3-A580
101	Clutch Housing Bushing	3C1-781	3S3-781	3C1-781	3S3-781
102	Adjusting Hole Cover	3S3-415	3S3-415	3S3-415	3S3-415
103	Finder Retaining Spring	---	102A60-628	---	102A60-628
• 104	Clutch Return Spring	---	---	3S3-405	3S3-405
	Clutch Driver Assembly (with light clutch spring)	3C1-A581	3C1-A581	3S1-A581	3S3-A581
• 105	Clutch Spring				
	Light (Black)	3S3-L583	3S3-L583	3S3-L583	3S3-L583
	Medium (Yellow)	3S3-M583	3S3-M583	3S3-M583	3S3-M583
	Heavy (Green)	3S3-H583	3S3-H583	3S3-H583	3S3-H583
106	Clutch Driver	3C1-581	3C3-581	3S3-581	3S3-581
• 106A	Clutch Driver Seal	---	---	ROBRIC-283	ROBRIC-283
106B	Clutch Driver Spacer	---	---	3S1-211	---
107	Clutch Jaw	3C1-589	3C1-589	---	---
• 108	Clutch Ball (11 required) (1/8" diameter)	AV1-255	AV1-255	---	---
• 109	Jaw Bearing Ball (10 required) (1/8" diameter)	AV1-255	AV1-255	---	---
110	Clutch Ball Spacer	3C1-401	3C1-401	---	---
• 111	Clutch Ball Seat	3C1-627	3C1-627	3S3-627	3S3-627
• 112	Thrust Bearing	161A32-105	161A32-105	161A32-105	161A32-105
113	Clutch Spring Seat	3C1-623	3C1-623	3C1-623	3C1-623
114	Spring Seat Stop (3 for 3C1 or 3C3; 2 for 3S1 or 3S3 Clutch)	3S3-701	3S3-701	3S3-701	3S3-701
115	Adjusting Nut Lock	3S3-588	3S3-588	3S3-588	3S3-588
116	Adjusting Nut	3S3-582	3S3-582	3S3-582	3S3-582
117	Ball Retaining Ring	---	---	3S3-625	3S3-625
118	Shutoff Collar	---	---	3S3-402	3S3-402
• 119	Collar Return Spring	---	---	3S3-407	3S3-407
120	Shutoff Plunger	---	---	3S3-408	3S3-408
• 121	Shutoff Plunger Ball (4 required) (3/32" diameter)	---	---	R000B-263	R000B-263
122	Plunger Return Spring	---	---	3S3-420	3S3-420
• 123	Clutch Cam Ball (3 required) (1/4" diameter)	---	---	4U-722	4U-722
• 124	Bit Holder Bearing Ball (10 required) (1/8" diameter)	---	---	AV1-255	AV1-255
125	Bit Holder Assembly	---	3C3-A586	---	3S3-A586 ▫
126	Bit Retaining Spring	---	3S3-241	---	3S3-241
127	Bit Retaining Ball	---	R000B-263	---	R000B-263
128	Bit Holder	3C1-586	---	3S1-586 #	---
129	Retaining Sleeve Spring	5C1-931-4	---	5C1-931-4	---
129A	Sleeve Spring Retainer (Blue)	5C1-853	---	5C1-853	---
130	Bit Retaining Sleeve	5C1-930-4	---	5C1-930-4	---
131	Bit Retaining Ball (9/64" diameter)	RX1-629	---	RX1-629	---
132	Bit Retaining Sleeve Stop	5C1-729	---	5C1-729	---
133	Disengaging Spring	3S3-420	3S3-420	---	---
134	Finder Spring	---	102A60-242	---	102A60-242
135	Push Rod	---	---	3RP-435	3RP-435
*	Clutch Adjusting Key	5C1-416	5C1-416	5C1-416	5C1-416
*	Bit Guide (available for Models ending in C3 or S3)	---	5RA-69 †	---	5RA-69 †

* Indicates not illustrated.

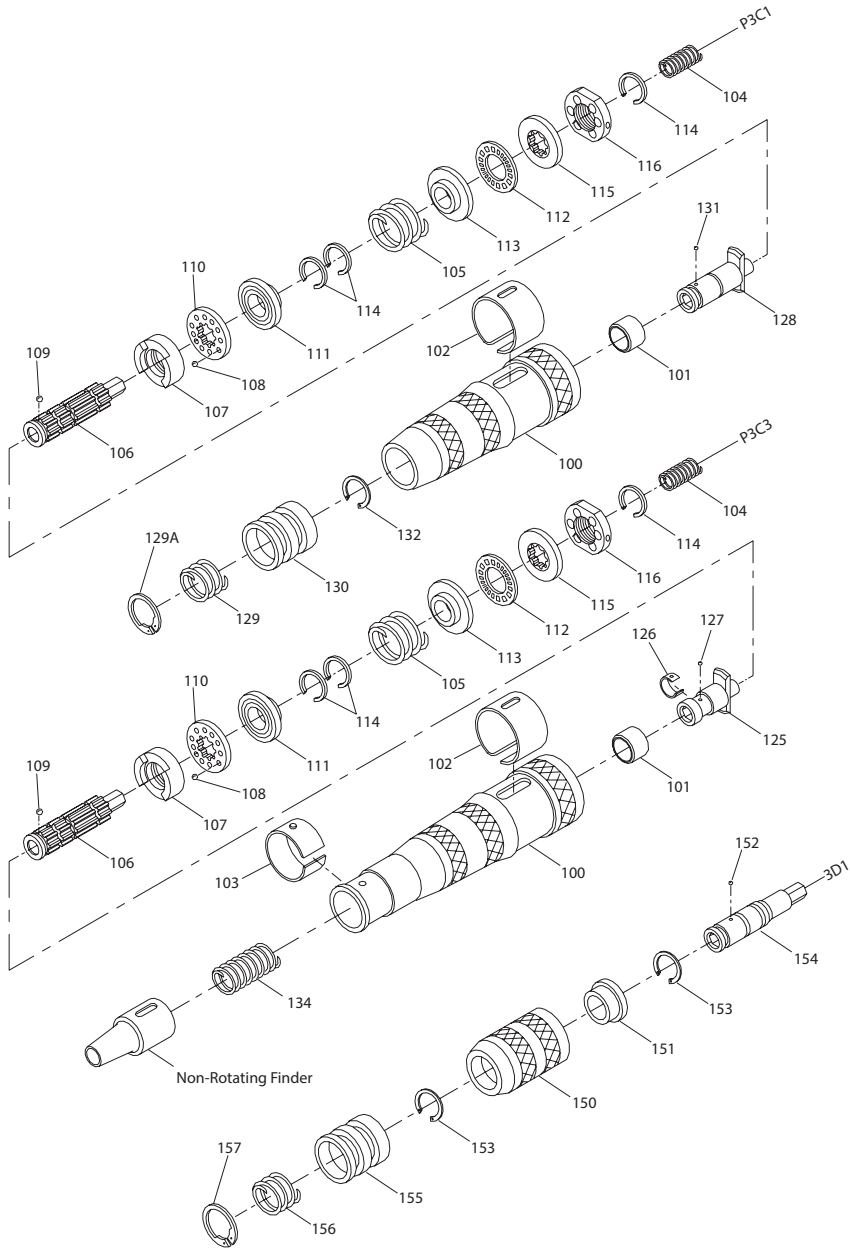
• Indicates common-wear parts. Maintain stock to reduce downtime.

† Bit Guide No. 5RA-69 is available for 1RA Models ending in C3 or S3 and Models 1RLMC3 and 1RLNC3. It is available for 1RP and 1RT Models ending in S3 and Models 1RLC3, 1RPMC3 and 1RPMC3.

▫ Bit Holder Assembly No. 3S3-586 is included with Clutch Driver Assembly No. 3S3-A581.

Bit Holder No. 3S1-586 is included with Clutch Driver Assembly No. 3S1-A581.

1R Series, Adjustable Cushion Clutch and Direct Drive Attachments - Exploded View



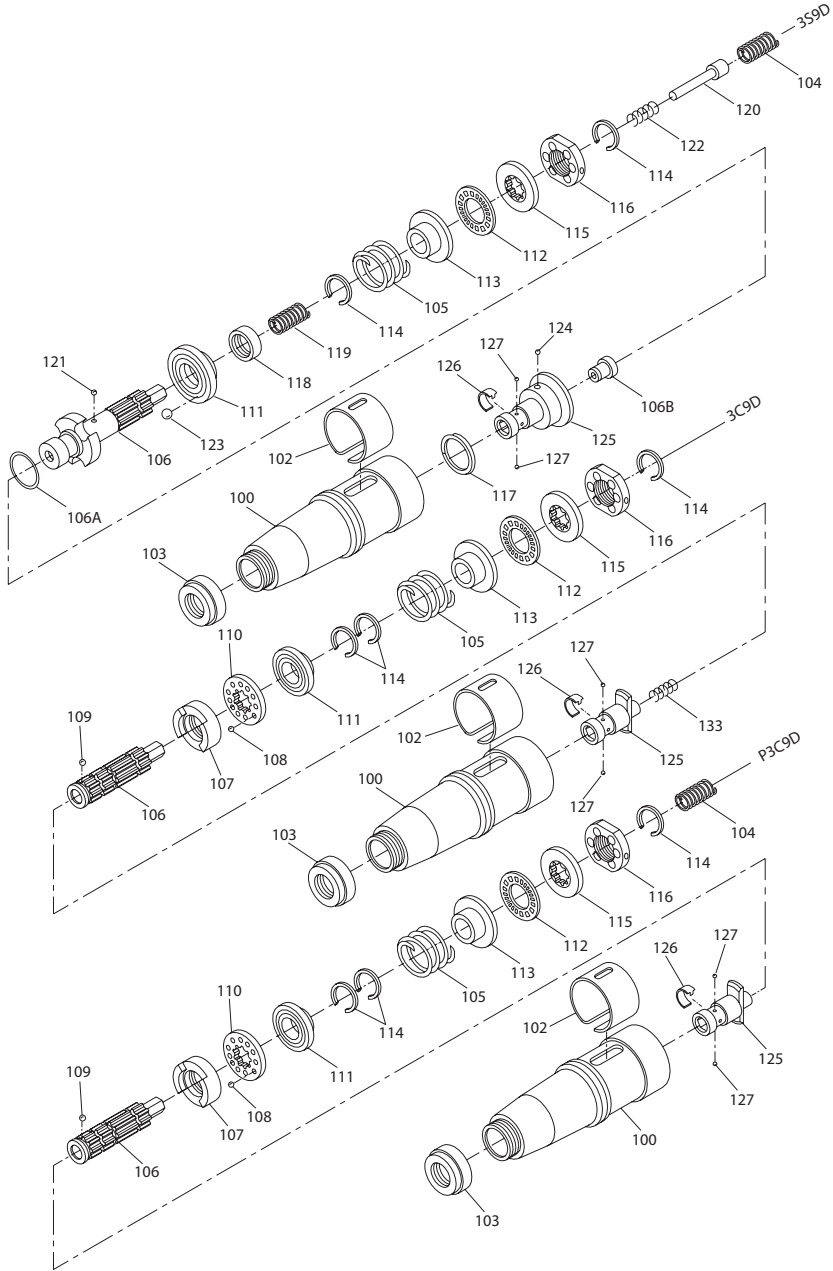
1R Series, Adjustable Cushion Clutch and Direct Drive Attachments - Parts List

Item	Part Description	For 1RP Models Ending in C1 or C3		For Models Ending in D1
	Adjustable Clutch Attachment (with light clutch spring)	P3C1	P3C3	---
100	Clutch Housing Assembly	3C1-A580A	3S3-A580A	---
101	Clutch Housing Bushing	3C1-781	3S3-781	---
102	Adjusting Hole Cover	3S3-415	3S3-415	---
103	Finder Retaining Spring	---	102A60-628	---
• 104	Clutch Return Spring	3S3-405	3S3-405	---
	Clutch Driver Assembly (with light clutch spring)	3C1-A581	3C1-A581	---
• 105	Clutch Spring			
106	Light (Black)	3S3-L583	3S3-L583	---
	Medium (Yellow)	3S3-M583	3S3-M583	---
	Heavy (Green)	3S3-H583	3S3-H583	---
	Clutch Driver	3C1-581	3C1-581	---
107	Clutch Jaw	3C1-589	3C1-589	---
• 108	Clutch Ball (11 required) (1/8" diameter)	AV1-255	AV1-255	---
• 109	Jaw Bearing Ball (10 required) (1/8" diameter)	AV1-255	AV1-255	---
110	Clutch Ball Spacer	3C1-401	3C1-401	---
• 111	Clutch Ball Seat	3C1-627	3C1-627	---
• 112	Thrust Bearing	161A32-105	161A32-105	---
113	Clutch Spring Seat	3C1-623	3C1-623	---
114	Spring Seat Stop (3 required)	3S3-701	3S3-701	---
115	Adjusting Nut Lock	3S3-588	3S3-588	---
116	Adjusting Nut	3S3-582	3S3-582	---
125	Bit Holder Assembly	---	3C3-A586	---
126	Bit Retaining Spring	---	3S3-241	---
127	Bit Retaining Ball	---	R000B-263	---
128	Bit Holder	3C1-586	---	---
129	Retaining Sleeve Spring	5C1-931-4	---	---
129A	Sleeve Spring Retainer (Blue)	5C1-853	---	---
130	Bit Retaining Sleeve	5C1-930-4	---	---
131	Bit Retaining Ball (9/64" diameter)	RX1-629	---	---
132	Bit Retaining Sleeve Stop	5C1-729	---	---
134	Finder Spring	---	102A60-242	---
135	Push Rod	3RP-435	3RP-435	---
*	Clutch Adjusting Key	5C1-416	5C1-416	---
	Direct Drive Attachment	---	---	3DI
150	Screwdriver Housing Assembly	---	---	3D1-A580
151	Housing Bushing	---	---	3D1-781
152	Bit Retaining Ball	---	---	RX1-629
153	Bit Holder Retaining Ring (2 required)	---	---	5C1-729
154	Bit Holder	---	---	3D1-786
155	Bit Retaining Sleeve	---	---	5C1-930-4
156	Retaining Sleeve Spring	---	---	5C1-931-4
157	Sleeve Spring Retainer (Blue)	---	---	5C1-853

* Indicates not illustrated.

• Indicates common-wear parts. Maintain stock to reduce downtime.

1R Series, Clutches For 5/16" Hexagon Shank European Style Bits - Exploded View



1R Series, Clutches For 5/16" Hexagon Shank European Style Bits - Parts List

Item	Part Description	For 1RA or 1RL Models Ending in C9D	For 1RP or 1RT Models Ending in S9D	For 1RP or Models Ending in C9D
	Adjustable Clutch Attachment (with light clutch spring)	3C9D	3S9D	P3C9D
100	Clutch Housing Assembly	3C9D-A580	3C9D-A580	3C9D-A580
102	Adjusting Hole Cover	3S3-415	3S3-415	3S3-415
103	Clutch Housing Cap	3C9D-19	3C9D-19	3C9D-19
• 104	Clutch Return Spring	---	3S3-405	3S3-405
	Clutch Driver Assembly (with light clutch spring)	3C1-A581	3S9D-A581	3C1-A581
• 105	Clutch Spring			
	Light (Black)	3S3-L583	3S3-L583	3S3-L583
	Medium (Yellow)	3S3-M583	3S3-M583	3S3-M583
	Heavy (Green)	3S3-H583	3S3-H583	3S3-H583
106	Clutch Driver	3C1-581	3S3-581	3C1-581
106A	Clutch Driver Seal	---	R0BR1C-283	---
106B	Clutch Driver Spacer	---	3S9D-211	---
107	Clutch Jaw	3C1-589	---	3C1-589
• 108	Clutch Ball (11 required) (1/8" diameter)	AV1-255	---	AV1-255
• 109	Jaw Bearing Ball (10 required) (1/8" diameter)	AV1-255	---	AV1-255
110	Clutch Ball Spacer	3C1-401	---	3C1-401
• 111	Clutch Ball Seat	3C1-627	3S3-627	3C1-627
• 112	Thrust Bearing	161A32-105	161A32-105	161A32-105
113	Clutch Spring Seat	3C1-623	3C1-623	3C1-623
114	Spring Seat Stop (3 for 3C9D and P3C9D; 2 for 3S9D)	3S3-701	3S3-701	3S3-701
115	Adjusting Nut Lock	3S3-588	3S3-588	3S3-588
116	Adjusting Nut	3S3-582	3S3-582	3S3-582
117	Ball Retaining Spring	---	3S3-625	---
118	Shutoff Collar	---	3S3-402	---
• 119	Collar Return Spring	---	3S3-407	---
120	Shutoff Plunger	---	3S3-408	---
• 121	Shutoff Plunger Ball (4 required) (3/32" diameter)	---	R000B-263	---
122	Plunger Return Spring	---	3S3-420	---
• 123	Clutch Cam Ball (3 required) (1/4" diameter)	---	4U-722	---
• 124	Bit Holder Bearing Ball (10 required) (1/8" diameter)	---	AV1-255	---
125	Bit Holder Assembly	3C9D-A586	3S9D-A586 □	3C9D-A586
126	Bit Retaining Spring	3C9D-241	3C9D-241	3C9D-241
127	Bit Retaining Ball	AV1-255	AV1-255	AV1-255
• 133	Disengaging Spring	3S3-420	---	---
135	Push Rod	---	3RP-435	3RP-435
*	Clutch Adjusting Key	5C1-416	5C1-416	5C1-416

* Indicates not illustrated.

• Indicates common-wear parts. Maintain stock to reduce downtime.

□ Bit Holder Assembly No. 3S9D-A586 is included with Clutch Driver Assembly No. 3S9D-A581.

Clutch Spring Selection Chart

Model	Torque Range (Soft Draw)		
	Light Clutch Spring (Black)	Medium Clutch Spring (Yellow)	Heavy Clutch Spring (Green)
1RALC1	3.5 to 13 in-lb (.39 to 1.5 Nm)	---	---
1RALC3	3.5 to 13 in-lb (.39 to 1.5 Nm)	---	---
1RAMC1	2.5 to 16 in-lb (.28 to 1.8 Nm)	3.0 to 20 in-lb (.34 to 2.3 Nm)	---
1RAMC3	2.5 to 16 in-lb (.28 to 1.8 Nm)	3.0 to 20 in-lb (.34 to 2.3 Nm)	---
1RANC1	1.5 to 16 in-lb (.17 to 1.8 Nm)	2.5 to 23 in-lb (.28 to 2.6 Nm)	5.0 to 30 in-lb (.56 to 3.4 Nm)
1RANC3	1.5 to 16 in-lb (.17 to 1.8 Nm)	2.5 to 23 in-lb (.28 to 2.6 Nm)	5.0 to 30 in-lb (.56 to 3.4 Nm)
1RAQC1	---	---	5.0 to 45 in-lb (.56 to 5.1 Nm)
1RLLC1	3.5 to 13 in-lb (.39 to 1.5 Nm)	---	---
1RLLC3	3.5 to 13 in-lb (.39 to 1.5 Nm)	---	---
1RLMC1	2.5 to 16 in-lb (.28 to 1.8 Nm)	3.0 to 20 in-lb (.34 to 2.3 Nm)	---
1RLMC3	2.5 to 16 in-lb (.28 to 1.8 Nm)	3.0 to 20 in-lb (.34 to 2.3 Nm)	---
1RLNC1	1.5 to 16 in-lb (.17 to 1.8 Nm)	2.5 to 23 in-lb (.28 to 2.6 Nm)	5.0 to 30 in-lb (.56 to 3.4 Nm)
1RLNC3	1.5 to 16 in-lb (.17 to 1.8 Nm)	2.5 to 23 in-lb (.28 to 2.6 Nm)	5.0 to 30 in-lb (.56 to 3.4 Nm)
1RLNS1	1.5 to 16 in-lb (.17 to 1.8 Nm)	2.5 to 23 in-lb (.28 to 2.6 Nm)	5.0 to 30 in-lb (.56 to 3.4 Nm)
1RLQS1	---	---	5.0 to 45 in-lb (.56 to 5.1 Nm)
1RLNS3	1.5 to 16 in-lb (.17 to 1.8 Nm)	2.5 to 23 in-lb (.28 to 2.6 Nm)	5.0 to 30 in-lb (.56 to 3.4 Nm)
1RLQS3	---	---	5.0 to 45 in-lb (.56 to 5.1 Nm)
1RPLC1	3.5 to 13 in-lb (.39 to 1.5 Nm)	---	---
1RPLC3	3.5 to 13 in-lb (.39 to 1.5 Nm)	---	---
1RPMC1	2.5 to 16 in-lb (.28 to 1.8 Nm)	3.0 to 20 in-lb (.34 to 2.3 Nm)	---
1RPMC3	2.5 to 16 in-lb (.28 to 1.8 Nm)	3.0 to 20 in-lb (.34 to 2.3 Nm)	---
1RPNC1	1.5 to 16 in-lb (.17 to 1.8 Nm)	2.5 to 23 in-lb (.28 to 2.6 Nm)	5.0 to 30 in-lb (.56 to 3.4 Nm)
1RPNC3	1.5 to 16 in-lb (.17 to 1.8 Nm)	2.5 to 23 in-lb (.28 to 2.6 Nm)	5.0 to 30 in-lb (.56 to 3.4 Nm)
1RPLS1	3.5 to 13 in-lb (.39 to 1.5 Nm)	---	---
1RPMS1	2.5 to 16 in-lb (.28 to 1.8 Nm)	3.0 to 20 in-lb (.34 to 2.3 Nm)	---
1RPNS1	1.5 to 16 in-lb (.17 to 1.8 Nm)	2.5 to 23 in-lb (.28 to 2.6 Nm)	5.0 to 30 in-lb (.56 to 3.4 Nm)
1RPPS1	1.5 to 16 in-lb (.17 to 1.8 Nm)	2.5 to 23 in-lb (.28 to 2.6 Nm)	---
1RPQS1	---	---	5.0 to 45 in-lb (.56 to 5.1 Nm)
1RTLS1	3.5 to 13 in-lb (.39 to 1.5 Nm)	---	---
1RTMS1	2.5 to 16 in-lb (.28 to 1.8 Nm)	3.0 to 20 in-lb (.34 to 2.3 Nm)	---
1RTNS1	1.5 to 16 in-lb (.17 to 1.8 Nm)	2.5 to 23 in-lb (.28 to 2.6 Nm)	5.0 to 30 in-lb (.56 to 3.4 Nm)
1RTPS1	1.5 to 16 in-lb (.17 to 1.8 Nm)	2.5 to 23 in-lb (.28 to 2.6 Nm)	---
1RTQS1	---	---	5.0 to 45 in-lb (.56 to 5.1 Nm)
1RPLS3	3.5 to 13 in-lb (.39 to 1.5 Nm)	---	---
1RPMS3	2.5 to 16 in-lb (.28 to 1.8 Nm)	3.0 to 20 in-lb (.34 to 2.3 Nm)	---
1RPNS3	1.5 to 16 in-lb (.17 to 1.8 Nm)	2.5 to 23 in-lb (.28 to 2.6 Nm)	5.0 to 30 in-lb (.56 to 3.4 Nm)
1RPPS3	1.5 to 16 in-lb (.17 to 1.8 Nm)	2.5 to 23 in-lb (.28 to 2.6 Nm)	---
1RPQS3	---	---	5.0 to 45 in-lb (.56 to 5.1 Nm)
1RTLS3	3.5 to 13 in-lb (.39 to 1.5 Nm)	---	---
1RTMS3	2.5 to 16 in-lb (.28 to 1.8 Nm)	3.0 to 20 in-lb (.34 to 2.3 Nm)	---
1RTNS3	1.5 to 16 in-lb (.17 to 1.8 Nm)	2.5 to 23 in-lb (.28 to 2.6 Nm)	5.0 to 30 in-lb (.56 to 3.4 Nm)
1RTPS3	1.5 to 16 in-lb (.17 to 1.8 Nm)	2.5 to 23 in-lb (.28 to 2.6 Nm)	---
1RTQS3	---	---	5.0 to 45 in-lb (.56 to 5.1 Nm)
1RAMC9D	2.5 to 16 in-lb (.28 to 1.8 Nm)	3.0 to 20 in-lb (.34 to 2.3 Nm)	---
1RANC9D	1.5 to 16 in-lb (.17 to 1.8 Nm)	2.5 to 23 in-lb (.28 to 2.6 Nm)	5.0 to 30 in-lb (.56 to 3.4 Nm)
1RLMC9D	2.5 to 16 in-lb (.28 to 1.8 Nm)	3.0 to 20 in-lb (.34 to 2.3 Nm)	---
1RLNC9D	1.5 to 16 in-lb (.17 to 1.8 Nm)	2.5 to 23 in-lb (.28 to 2.6 Nm)	5.0 to 30 in-lb (.56 to 3.4 Nm)
1RPMC9D	2.5 to 16 in-lb (.28 to 1.8 Nm)	3.0 to 20 in-lb (.34 to 2.3 Nm)	---
1RPNC9D	1.5 to 16 in-lb (.17 to 1.8 Nm)	2.5 to 23 in-lb (.28 to 2.6 Nm)	5.0 to 30 in-lb (.56 to 3.4 Nm)
1RPMS9D	2.5 to 16 in-lb (.28 to 1.8 Nm)	3.0 to 20 in-lb (.34 to 2.3 Nm)	---
1RPNS9D	1.5 to 16 in-lb (.17 to 1.8 Nm)	2.5 to 23 in-lb (.28 to 2.6 Nm)	5.0 to 30 in-lb (.56 to 3.4 Nm)
1RPPS9D	1.5 to 16 in-lb (.17 to 1.8 Nm)	2.5 to 23 in-lb (.28 to 2.6 Nm)	---
1RTMS9D	2.5 to 16 in-lb (.28 to 1.8 Nm)	3.0 to 20 in-lb (.34 to 2.3 Nm)	---
1RTNS9D	1.5 to 16 in-lb (.17 to 1.8 Nm)	2.5 to 23 in-lb (.28 to 2.6 Nm)	5.0 to 30 in-lb (.56 to 3.4 Nm)
1RTPS9D	1.5 to 16 in-lb (.17 to 1.8 Nm)	2.5 to 23 in-lb (.28 to 2.6 Nm)	---

Parts and Maintenance

When tool life has expired, it is recommended that the tool be disassembled, degreased and parts separated by material for proper recycling.

Tool repair and maintenance should only be carried out by an authorized Service Center.

Refer all communications to the nearest **Ingersoll Rand** office or distributor.

Related Documentation

Manuals can be downloaded from **ingersollrand.com**

For additional information, refer to:

Product Safety Information Manual 04585006

Product Information Manual 80167265

Product Maintenance Information Manual 16575243

Notes:

Notes:

[ingersollrand.com](https://www.ingersollrand.com)

© 2022 *Ingersoll Rand*

