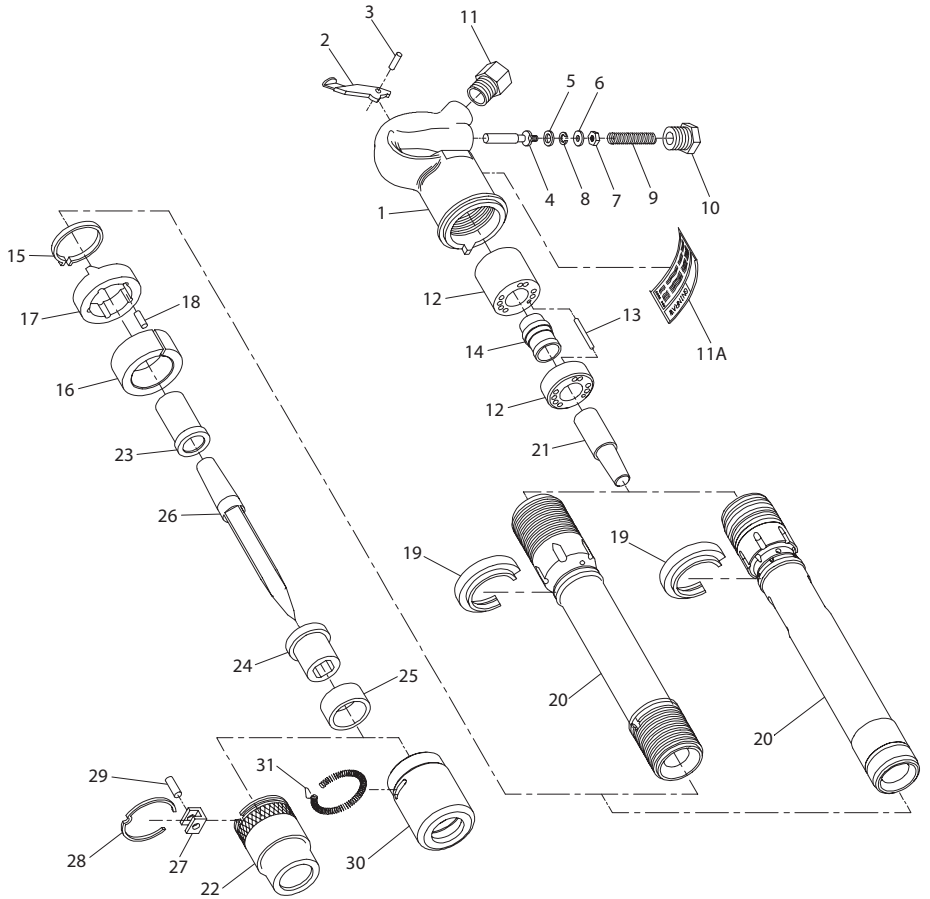


Models 9001 and 11001, Air Percussive Rivet Buster - Exploded View



(Dwg. TPB670-6)

Models 9001 and 11001, Air Percussive Rivet Buster - Parts List

Item	Part Description	Part Number	Item	Part Description	Part Number
1	Handle Assembly	AS-1A	19	Exhaust Deflector	AS-85
2	Throttle Lever	H80-134A	20	Barrel	
3	Throttle Lever Pin	F02-15			
• 4	Throttle Valve Assembly	8000-50			
5	Throttle Valve Face	8000-159A			
6	Throttle Valve Face Cap	8000-157			
7	Throttle Face Cap Nut	73H-158	• 21	Piston	9001-5A
8	Throttle Face Lock Washer	H54U-352	• 22	Retainer Nut	9001-200
9	Throttle Valve Spring	H80-11	23	Upper Sleeve	9001-220
10	Throttle Valve Cap	8000-109	24	Lower Sleeve	9001-201
11	Inlet Bushing (1/2" male NPT to 3/8" female NPT)	H80-82A	25	Rubber Bumper (3 required)	9001-203
			# 26	Accessory	--
11A	Warning Label	WARNING-6-99	27	Lock Key (optional)	9001-208
	Valve Box Assembly	9RB-A4	+ 28	Lock Spring	9RB-207
12	Valve Box (2 matched pieces)	9RB-4	29	Lock Pin (optional)	FMD2-667
13	Dowel Pin	A-32	30	Retainer (Plain-Type)	11001-18
14	Valve	A-2	31	Lock Spring	11001-308
15	Locking Spring	AS-194	+ *	Throttle Lever Pin Punch	28869
16	Locking Spring Cover	AS-195	*	Swivel Inlet Assembly (3/8" male NPT to 1/2" hose barb)	HH1-A165
17	Locking Ring	AS-196			
18	Locking Ring Pin	AS-197			

* Indicates not illustrated.

• To keep downtime to a minimum, it is desirable to have on hand certain repair parts. We recommend that you stock one (pair or set) of each part indicated by a bullet (•) for every four tools in service.

Ingersoll Rand offers a complete line of accessories. Contact your nearest **Ingersoll Rand** office or distributor.

+ Available at extra cost.

Parts and Maintenance

When tool life has expired, it is recommended that the tool be disassembled, degreased and parts separated by material for proper recycling.

Tool repair and maintenance should only be carried out by an authorized Service Center.

Refer all communications to the nearest **Ingersoll Rand** office or distributor.

Related Documentation

Manuals can be downloaded from ingersollrand.com

For additional information, refer to:

Product Safety Information Manual 04581450

Product Information Manual 03530094

Maintenance Information Manual 16605958