

# Air Impact Wrench

280, 280-6 and 280-S6



---

## Product Parts Information



**Save These Instructions**



Edition 7  
January 2022  
CCN 04584603

When tool life has expired, it is recommended to:

- disassemble the tool
- degrease the tool
- separate tool parts by material for correct recycling

Tool repair and maintenance should be conducted by an authorized service center.

Refer all communications to the nearest **Ingersoll Rand** office or distributor.

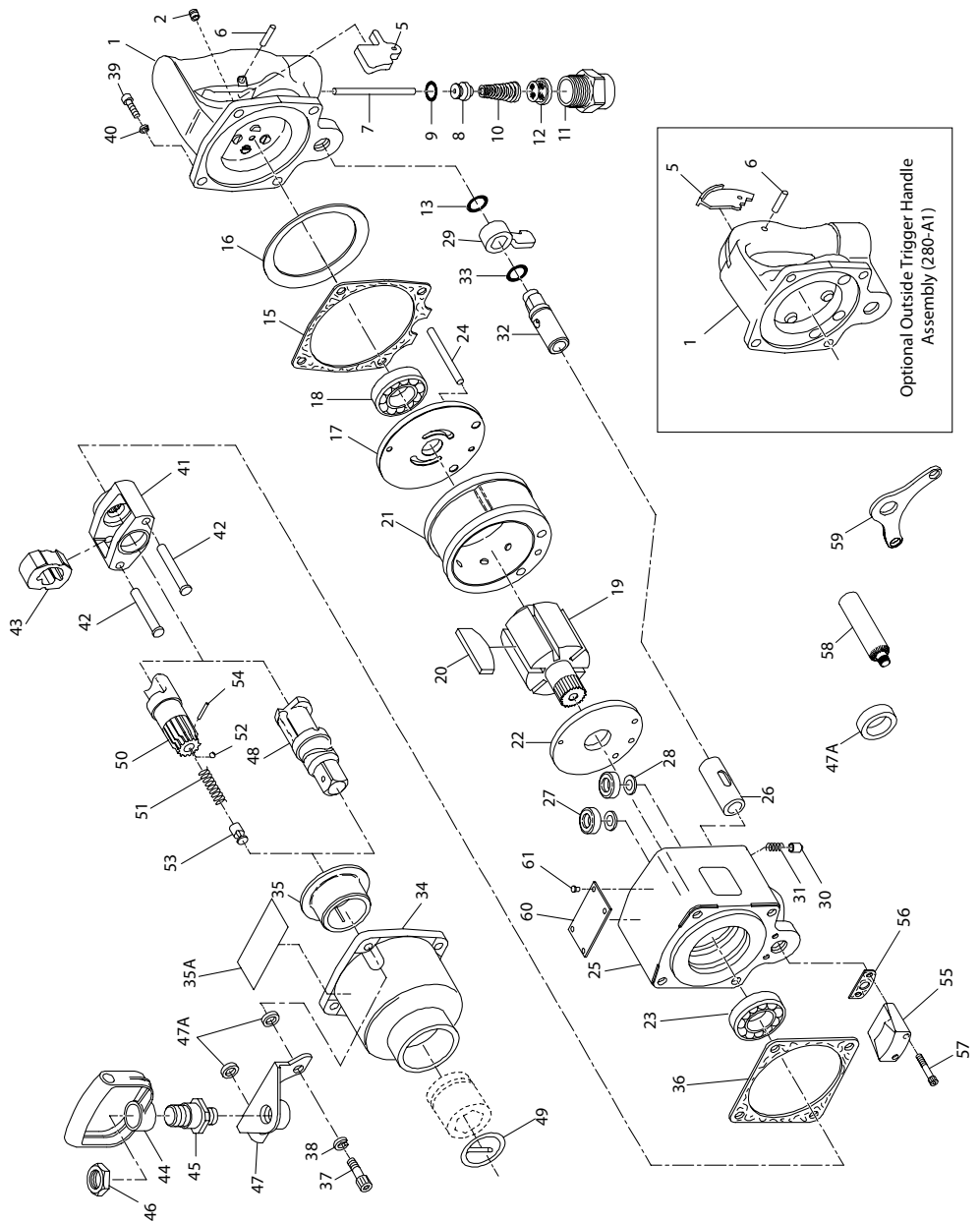
Manuals are available at [ingersollrand.com](http://ingersollrand.com)

**Table 1. Product Information Manuals**

<b>Publication</b>	<b>CCN</b>
Product Safety Information Manual	04580916
Product Information Manual	04584918

# 280, 280-6 and 280-S6, Air Impact Wrench

Figure 1. 280, 280-6 and 280-S6, Air Impact Wrench — Exploded View - TPB946-5



## 280, 280-6 and 280-S6, Air Impact Wrench

Table 2. 280, 280-6 and 280-S6, Air Impact Wrench — Parts List

Item	Part Description	Part Number
1	Trigger Handle Assembly	
	Inside	1712-A92
	Outside	280-A1
2	Grease Fitting	130SR-188
5	Trigger	
	Inside	834-93A
	Outside	844-78
(a) 6	Trigger Pin	
	Inside	534-265
	Outside	F02-15
7	Throttle Valve Plunger	2934-302
8	Throttle Valve Assembly	2934-A50
(a) (b) 9	Throttle Valve Face	2934-159
(a) (b) 10	Throttle Valve Spring	834-51
11	Straight Inlet	845-565
(a) (b) 12	Air Strainer Screen	434-61
(a) (b) 13	Reverse Valve Seal	R00BR-210
(a) (b) 15	Handle Gasket	2934-283
16	Motor Clamp Washer	2934-207
17	Rear End Plate	2934-12
(a) (b) 18	Rear Rotor Bearing	508-97
19	Rotor	2934-53
(a) (b) 20	Vane Packet (set of 6 vanes)	2934-42-6
21	Cylinder	2934-3
22	Front End Plate	2934-11
(a) (b) 23	Front Rotor Bearing	810-97
24	Cylinder Dowel	2934-98
25	Motor Housing Assembly	1712-A40
26	Reverse Valve Bushing	2934-330S
(a) (b) 27	Air Port Gasket (QTY. 2)	R44H-210A
28	Air Port Gasket Retainer (QTY. 2)	2940-200

## 280, 280-6 and 280-S6, Air Impact Wrench

**Table 2. 280, 280-6 and 280-S6, Air Impact Wrench — Parts List (continued)**

Item	Part Description	Part Number
29	Reverse Lever	2934-658A
(a) (b) 30	Reverse Lock Plunger	4U-663B
(a) (b) 31	Reverse Lock Plunger Spring	4U-664
32	Reverse Valve Assembly	2934-A329
(a) (b) 33	Valve Seal	85H-167
34	Hammer Case Assembly	1712B-A727
35	Hammer Case Bushing	2934-641
35A	Hammer Case Label	WARNING-2-99
36	Hammer Case Gasket	2934-36
37	Hammer Case Cap Screw (QTY. 4)	834-638
38	Hammer Case Lock Washer (QTY. 4)	34U-58
39	Handle Cap Screw (QTY. 4)	510-638
40	Cap Screw Lock Washer (QTY. 4)	8U-58
41	Hammer Frame Assembly	2934-A703
42	Hammer Pin (QTY. 2)	2934-704
43	Hammer	1712-724
44	Side Spade Handle	T15-41
45	Side Spade Handle Stud	534-448
46	Side Spade Handle Stud Nut	107-73A
47	Side Spade Handle Bracket	2934-364
47A	Side Spade Handle Bracket Spacer (QTY. 2)	2934-140
48	1" Square Drive Anvil	
	Standard Length	1712-726
	6" Extended Length	280-726-6
(a) 49	Retainer Ring (for 1" Square Drive Anvil)	RR10015S
50	Spline Drive Anvil Assembly	
	Standard Length	1712-A526
	6" Extended Length	280-A514-6
51	Retaining Plunger Spring	2940-231
52	Socket Retaining Ball	D04-280
53	Retaining Ball Plunger	845-230

## 280, 280-6 and 280-S6, Air Impact Wrench

**Table 2. 280, 280-6 and 280-S6, Air Impact Wrench — Parts List (continued)**

<b>Item</b>	<b>Part Description</b>	<b>Part Number</b>
54	Plunger Retaining Pin	845-128
55	Deflector	2934-23A
56	Gasket	2934-223
57	Screw (QTY. 2)	R43F-104
58	Auxiliary Handle	834-48
59	Horizontal Hanger	2934-366
60	Nameplate	280-301
61	Nameplate Screw (QTY. 4)	C32-302
(c)	Exhaust Deflector Kit	2934-K23
63	Piped-Away Exhaust Kit	2940-K184
(c)	Tune-up Kit (includes illustrated parts 3, 9, 10,12, 13, 15, 18, 20, 23, 27, 28, 31, 33 and 36)	280-TK2

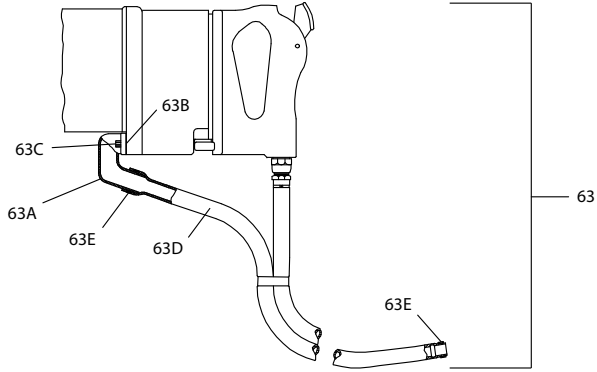
(a) Indicates common-wear parts. Maintain stock to reduce downtime.

(b) Indicates Tune-up Kit part.

(c) Indicates Not Illustrated.

# Exhaust Kit

**Figure 2. Piped-Away Exhaust Kit - TPA559**



**Table 3. Exhaust Kits - Parts List**

Item	Part Description	Part Number
(a)	Exhaust Deflector Kit	2934-K23
	Deflector	2934-23A
	Exhaust Baffle	2934-124
	Gasket	2934-223
	Silencer	2940P-311
	Screw (QTY. 2)	R43F-104
63	Piped-Away Exhaust Kit	2940-K184
63A	Exhaust Adapter	2940-167
63B	Exhaust Adapter Gasket	2940-30
63C	Adapter Cap Screw (QTY. 2)	AL-638
63D	Exhaust Hose	R21-B230
63E	Hose Clamp (QTY. 2)	R21-31

(a) Indicates Not Illustrated.

[ingersollrand.com](https://www.ingersollrand.com)

© 2022 *Ingersoll Rand*

