



Operating Manual

D-TEK[®] 3

Refrigerant Leak Detector

English · Español · Deutsch · Français · Italiano · 中文 · 日本語 · Русский ·
Polski · Svenska · Türkçe · Nederlands · 한국어 · Český

English	3
Español	21
Deutsch	40
Français	59
Italiano	78
中文	96
日本語	114
Русский	132
Polski	152
Svenska	171
Türkçe	189
Nederlands	207
한국어	225
Český	243

Table of Contents

1	Cautions and Warnings	4
2	Specifications	5
3	D-TEK 3	7
4	Charging the Battery	8
5	Turning On the Instrument and Preparing for Use	9
6	Pinpoint Mode	9
7	Manual Zero Mode	10
8	Earbuds and Volume Control	10
9	Removing and Installing the Lithium Ion Battery	11
10	Removing and Installing the Sensor	12
11	Replacing Filters	13
12	Extra-long Probe	14
13	Optional Sensors	15
14	Cleaning and Storage	16
15	Replacement Parts and Accessories	16
16	Troubleshooting Guide	17
17	Warranty and Liability-Limitation	18

1 Cautions and Warnings

Cautions:

- Only use a certified charger/cord with an output of 5 V (dc) $\pm 5\%$, 1 A $\pm 5\%$.
- Keep the device out of extremely high or low temperature locations.
- Do not expose the battery to liquid.
- Do not use the device if you notice any damage to the battery.
- Do not disassemble or modify the battery.
- Handle and dispose of the battery per local regulations.
- If the recharging operation fails to complete, even when the specified recharging time has elapsed, immediately stop further recharging.
- Do not leave the battery unattended while charging.
- Unplug the charger when the battery is fully charged.
- Improper use or disposal of lithium ion batteries can cause a fire.
- High RF environments may cause a false alarm.



WARNING

This symbol alerts the user to the presence of important operating and maintenance (servicing) instructions.



WARNING

Exposure to high concentrations of CO₂ or refrigerants is dangerous and can be life-threatening.

The instrument is not for use in toxic or hazardous environments. It is not a personal protection or life-saving device. Always exercise extreme caution in potentially toxic or hazardous environments.



WARNING

This product is not intrinsically safe and should not be used in the presence of explosive fumes, explosive dust, or other explosive chemicals. Use in an environment with flammable refrigerant concentration approaching the LEL (lower explosive limit) could cause an explosion or fire resulting in serious injury, death, or damage to property.

2 Specifications

Usage	indoor/outdoor
Sensor type	infrared
Compatible refrigerants	
• Refrigerant sensor (standard, PN 724-701-G1)	All CFCs, HCFCs, HFCs, HFOs, and blends (including A2Ls)
• CO ₂ sensor (PN 724-701-G2)	R744 (carbon dioxide)
• Flammable refrigerant (HC) sensor (PN 724-701-G3)	R290, R600a, R441a (see safety warnings)
Sensitivity (tested to EN14624 standard) ¹	
• R134a	0.04 oz./yr (1g/yr)
• R1234yf	0.02 oz./yr (0.5g/yr)
• R290	0.2 oz./yr (5g/yr)
• R744 (CO ₂)	0.07 oz./yr (2g/yr)
• Ammonia	0.1 oz./yr (3g/yr)
Battery type	lithium ion
Charging input type	micro USB
Charging time (starting at 0%)	approximately 3 hours
Battery life	approximately 9 hours
Sensor life	Up to 2000 hrs
Input voltage	5 V (dc) ±5%
Input current	1 A ±5%
Warm-up period	45–90 seconds
Temperature ranges and humidity	
• Storage	-20–60°C (-4–140°F)
• Operating ²	-20–50°C (-4–122°F)
• Charging	0–45°C (32–113°F)
• Humidity	95% RH NC maximum
Altitude	2000 m (6500 ft.)
Pollution degree	2
Overvoltage category	2
Weight (with battery; not including carrying case or accessories)	0.97 lb. (0.44 kg)

¹ To achieve optimal performance and the specified sensitivities, it is recommended to allow D-TEK 3 to run for 15 minutes prior to use.

² Use in temperatures below 0°C (32°F) should be limited. Extended warm-up time is recommended before use in low temperature environments.

Specification table in accordance with EN 14624:2020

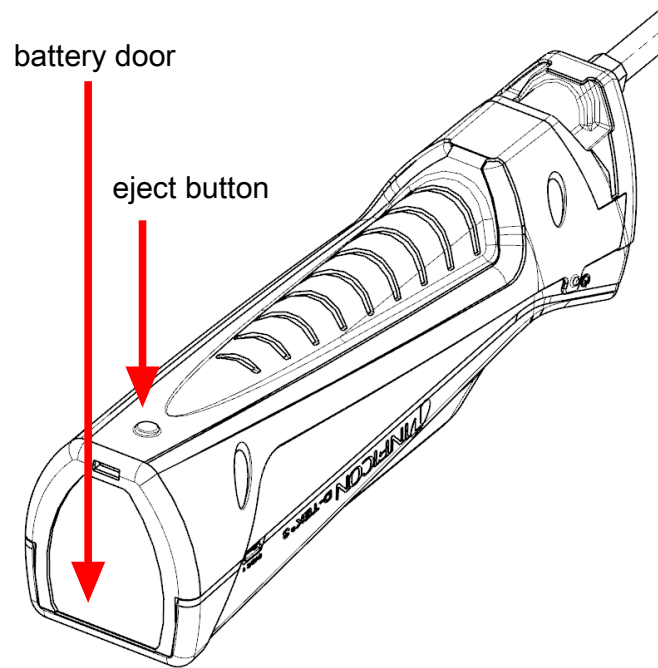
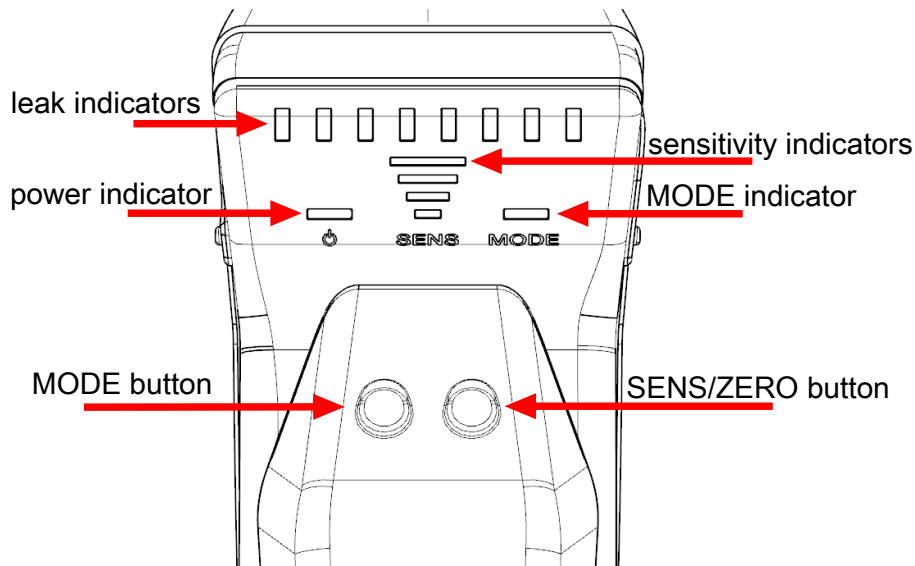
	R134a	R1234yf	R744 (CO ₂)	Ammonia (R717)	R290
Minimum sensitivity, fixed (static)	1 g/yr	0.5 g/yr	2 g/yr	3 g/yr	5 g/yr
Minimum sensitivity, moving (dynamic)	1 g/yr	1 g/yr	2 g/yr	3 g/yr	5 g/yr
Minimum response/detection time	<1 s	<1 s	<1 s	<1 s	<1 s
Recovery time for x g/yr exposure ³	7.6 s	6.4 s	13 s	4 s	4 s
Minimum sensitivity in contaminated environment	>2 g/yr	1 g/yr	> 4g/yr	3 g/yr	7 g/yr
Calibration frequency	Check annually with calibrated leak standard				

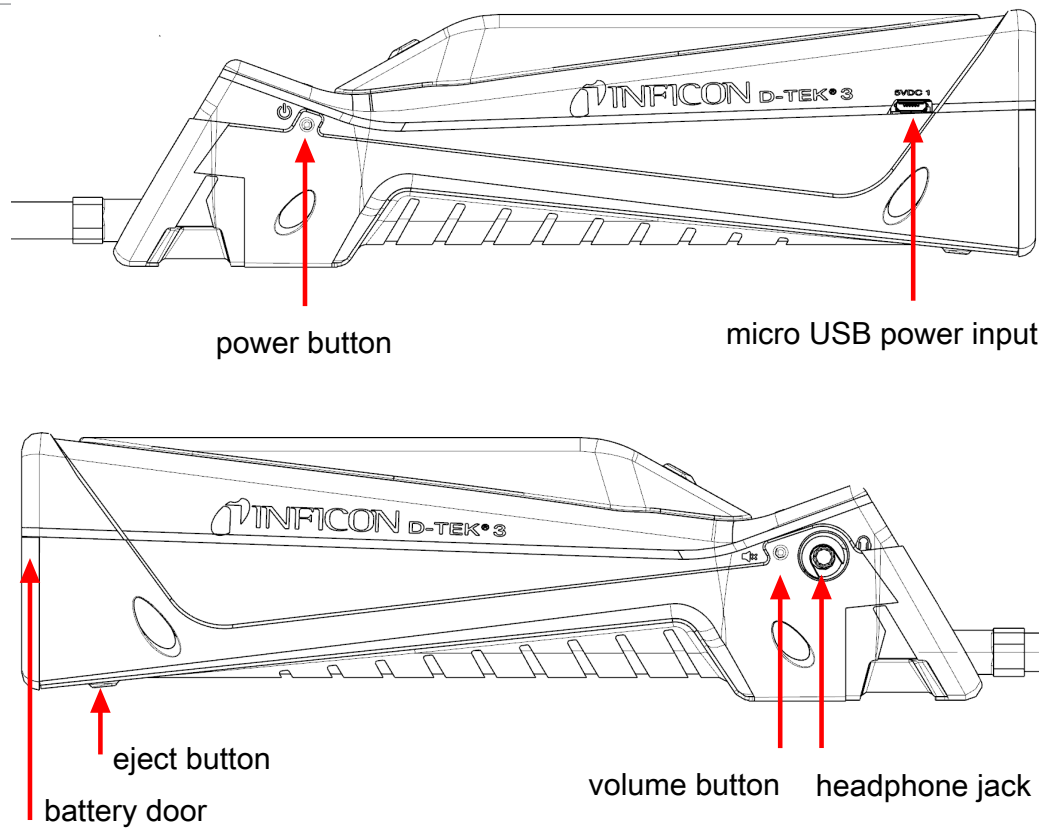
³ x = R134a: 32 g/yr
 R1234yf: 35 g/yr
 R744: >50 g/yr
 R717: 35 g/yr
 R290: 30 g/yr

Patents (Pending)

Application #10 2018 208 826.8

3 D-TEK 3





4 Charging the Battery

D-TEK 3 uses a rechargeable lithium ion battery that comes partially charged. INFICON recommends charging the battery before use. Using the supplied charger or charging cradle accessory, a dead battery can be charged to 80% in approximately 2 hours and 100% in approximately 3 hours. A full charge typically lasts about 9 hours of operation, depending on the operating temperature. The power indicator indicates the remaining battery percentage.

Color	% Charge
Green	>30%
Orange	10–29%
Red	<10%



D-TEK 3 can be used while charging.

5 Turning On the Instrument and Preparing for Use



If the unit does not turn on, the battery is low and needs to be charged. D-TEK 3 can be used while charging.

-
- 1 Long press the power button (located on the left side of the body of the instrument) to turn D-TEK 3 **On** or **Off**.
 - ⇒ D-TEK 3 begins a variable-time warm-up for 45 to 90 seconds. When warm-up is complete, D-TEK 3 is ready to use.
 - 2 To switch modes, press the **MODE** button. This toggles between **Pinpoint** and **Manual Zero** modes.



D-TEK 3 always starts in the last mode that was used.

6 Pinpoint Mode

- 1 Place the tip of D-TEK 3 as close as possible to the suspected leak (do not block the air flow).
- 2 Slowly move the probe past each possible leak point.
 - ⇒ If a leak is detected, D-TEK 3 alarms and the leak indicators illuminate.
- 3 When a leak is identified, pull the probe away from the leak for a few seconds and then recheck the spot to verify the leak.



In **Pinpoint** mode, D-TEK 3 automatically zeros to the background refrigerant concentration and only alarms again with a higher concentration of refrigerant. When this occurs, either continue looking for a higher concentration of refrigerant or move the probe to an area of lower concentration for a few seconds to reset the zero point.



Press the **SENS/ZERO** button to switch the sensitivity setting. When working with a large leak, it can be easier to pinpoint the leak location using a lower sensitivity setting. The current sensitivity is displayed by the sensitivity (SENS) indicator.

7 Manual Zero Mode

Manual Zero mode operates similar to **Pinpoint** mode, but is identified by the **MODE** indicator slowly flashing. **Manual Zero** mode allows the user to manually zero to the background refrigerant by pressing the **SENS/ZERO** button. Once the new zero point is set, D-TEK 3 will not alarm unless a higher concentration of refrigerant is detected.

Manual Zero mode beeps faster at the zero point than other modes. If the concentration is lower than the current zero point, the beeping slows. This allows the user to know if they are moving away from the leak by listening to a change in the beep rate.



There is no sensitivity setting in **Manual Zero** mode.



Manual Zero mode requires an extra warm-up time of up to 15 minutes for optimal performance.

8 Earbuds and Volume Control

A headphone jack is located on the right side of D-TEK 3 for listening to the alarm sounds through headphones or earbuds.



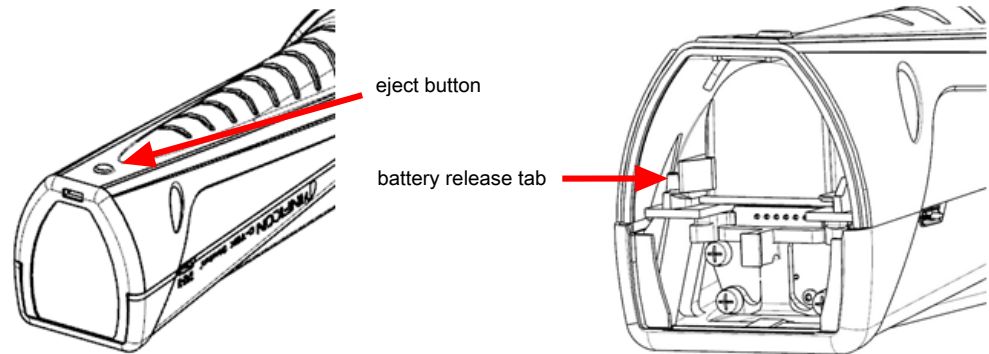
WARNING

If attempting to use headphones not supplied by INFICON, be sure to test them carefully to avoid hearing damage.

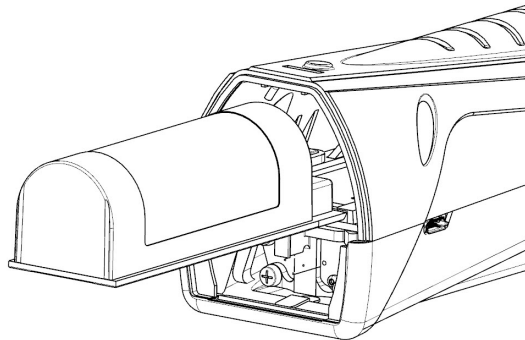
A volume button is located next to the headphone jack. Press the volume button to toggle from 100% volume, to 50% volume, and to mute. The volume defaults to 100% at startup. When headphones or earbuds are plugged in, the volume toggles between 100% volume and mute.

9 Removing and Installing the Lithium Ion Battery

- 1 Press the eject button on the back of D-TEK 3 and remove the battery door.



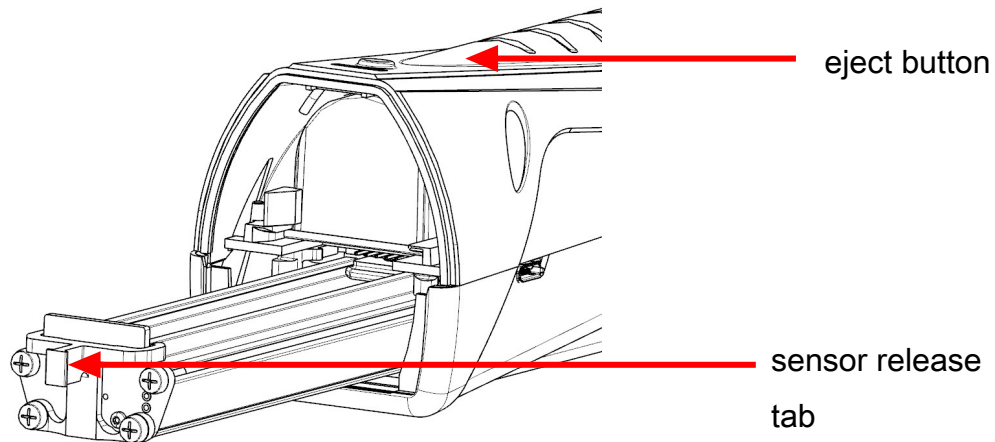
- 2 Remove the battery by moving the battery release tab to the side until the battery begins to eject. Slide the battery out.
- 3 Re-insert the battery by first aligning the battery with the rails.



- 4 Gently push the battery along the rails until the battery release tab engages.
 - ⇒ Do not force the battery. If the battery does not slide freely, check the alignment and try again.
- 5 Reinstall the battery door.

10 Removing and Installing the Sensor

D-TEK 3 uses a cartridge style sensor that is quick and easy to remove and replace in the field. In addition to the standard sensor, INFICON offers a CO₂ specific sensor for use in refrigeration and air conditioning applications. See Replacement Parts and Accessories [▶ 16].

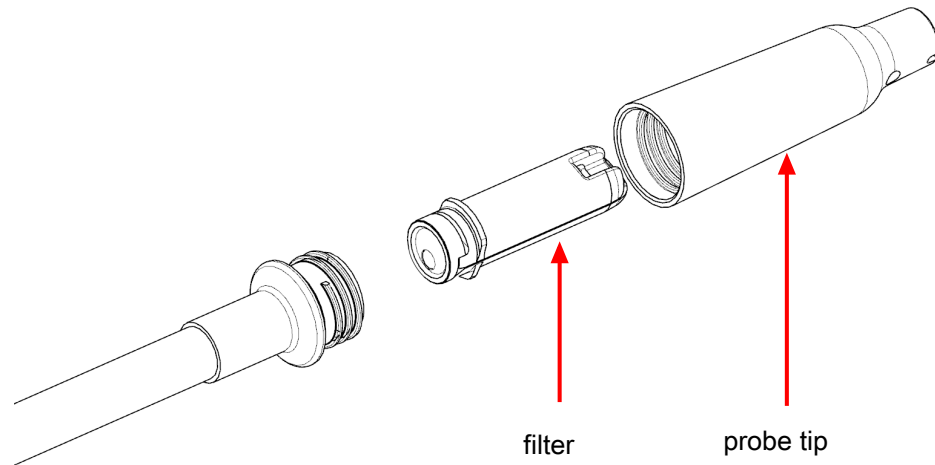


To replace the sensor:

- 1 Press the eject button on the back of D-TEK 3 and remove the battery door.
- 2 Grasp the sensor release tab and gently pull it out.
- 3 Align the new sensor with the rails.
- 4 Gently push the sensor along the rails until it is fully inserted.
 - ⇒ Do not force the sensor. If it does not slide freely, check the alignment and try again.
- 5 Reinstall the battery door.

11 Replacing Filters

D-TEK 3 uses a hydrophobic filter cartridge that allows air and refrigerants to pass through while filtering out water, dirt, and oil. Examine the white cloth to determine if the filter needs to be changed. If the cloth appears discolored, install a new filter. Changing the filter is also an easy troubleshooting step if you suspect your leak detector is not properly detecting refrigerants. A clogged air filter can limit the sample air flow.



Exposing the filter to water or oil can block air flow. If this occurs, remove the filter with the unit turned off and the probe facing down to avoid getting contaminants in the probe and install a new filter. If the filter is wet, it can be reused once it dries.



⚠ CAUTION

Never use the instrument without a probe tip and filter.

To replace the filter:

- 1 Unscrew the probe tip and remove the filter.
- 2 Insert the new filter into the probe.
- 3 Screw the probe tip on. Do not overtighten.

12 Extra-long Probe

The optional extra-long replacement probe can be used for leak checking in hard-to-reach areas.

To install the extra-long probe:

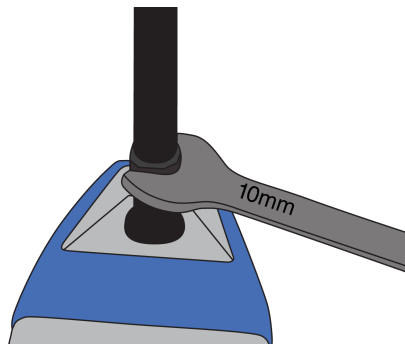
- 1 Unscrew the standard probe from the D-TEK 3 body using a 10 mm wrench.
- 2 Screw on the extra-long probe to approximately 35 in·lb (4 N·m). Do not overtighten.
- 3 Unscrew the probe tip from the standard probe and remove the filter (or use a new one).
- 4 Insert the filter into the extra-long probe.
- 5 Screw the probe tip onto the extra-long probe. Do not overtighten.



CAUTION

Always remove the probe with a 10 mm wrench at the base of the probe.

Unscrewing the probe in any way other than the specified method can cause damage to the probe.



13 Optional Sensors

Optional sensors are available for use in CO₂ (PN 724-701-G2) or flammable refrigerant (PN 724-701-G3) applications. To use the CO₂ or flammable refrigerant sensor, remove the standard sensor and install the new sensor following the instructions in Removing and Installing the Sensor [▶ 12]. D-TEK 3 automatically recognizes the sensor type and the **MODE** indicator illuminates the appropriate color to indicate the sensor type the entire time the sensor is installed. Green indicates CO₂, red indicates flammable refrigerant, and orange indicates the standard refrigerant sensor is installed.



If D-TEK 3 does not automatically recognize your flammable refrigerant sensor, contact INFICON to arrange a software update.



The flammable refrigerant sensor does not detect hydrogen, including hydrogen forming gas.



While searching for CO₂ leaks, it is recommended to wear a respirator or mask to avoid exhaling CO₂ toward the probe.



WARNING

Exposure to high concentrations of CO₂ or refrigerants is dangerous and can be life-threatening.

The instrument is not for use in toxic or hazardous environments. It is not a personal protection or life-saving device. Always exercise extreme caution in potentially toxic or hazardous environments.



WARNING

This product is not intrinsically safe and should not be used in the presence of explosive fumes, explosive dust, or other explosive chemicals. Use in an environment with flammable refrigerant concentration approaching the LEL (lower explosive limit) could cause an explosion or fire resulting in serious injury, death, or damage to property.

14 Cleaning and Storage

D-TEK 3 can be cleaned with mild detergent or isopropyl alcohol. Care should be taken to prevent cleaner from entering the instrument. Do not clean with gasoline, acetone, or other aggressive solvents as they may damage the plastic or display.

15 Replacement Parts and Accessories

Replacement carrying case	721-700-G1
Earbuds	721-607-G1
12 V (dc) car charger	721-605-G1
AC wall charger (includes plugs for multiple regions)	721-606-G1
Lithium ion battery	721-702-G1
Battery charging cradle	721-610-G1
Battery/charging cradle combination	721-604-G1
Standard sensor (detects CFCs, HCFCs, HFCs, HFOs, and blends (including A2Ls))	724-701-G1
CO ₂ sensor	724-701-G2
Flammable refrigerant (HC) sensor	724-701-G3
Filter cartridges (quantity, 5)	712-707-G1
Replacement probe cap	712-705-G1
Needle probe extension	721-612-G1
Extra-long probe	721-611-G1
TEK-Check R134a test leak	703-080-G10

16 Troubleshooting Guide

Problem	Cause	Remedy
The power indicator quickly flashes red.	A battery error has occurred. This can be caused by a failed battery or by the battery being improperly installed, or having a poor connection.	Remove and reinstall the battery. If the problem is not fixed, replace the battery. See Removing and Installing the Lithium Ion Battery [▶ 11].
	The battery is above or below the ideal temperature range and may not charge properly.	Allow the battery to return to normal temperature.
All leak indicators flash.	A sensor error has occurred. This can be caused by a failed sensor, or by the sensor being improperly installed, or having a poor connection.	Remove and reinstall the sensor. If the problem is not fixed, replace the sensor. See Removing and Installing the Sensor [▶ 12].
The indicators do not turn on after long-pressing the power button.	The battery level is critically low.	Charge the battery or plug the unit into a charger.
The unit turns on, but does not detect refrigerant.	The unit has not completed warm-up.	Wait for the warm-up to complete. This takes 45 to 90 seconds.
	The filter is clogged, restricting the air flow.	Replace the filter cartridge. See Replacing Filters [▶ 13].
	The pump has failed.	Listen for the pump sound. If the pump is not making a sound and the battery has a proper charge, contact INFICON.
	The sensitivity is set too low (Pinpoint mode only).	Verify the sensitivity level. For very small leaks, High or Super should be used.
	The incorrect sensor is installed.	Verify that the correct sensor is being used (refrigerant sensor or CO ₂ sensor).
The unit alarms in clean air.	The incorrect sensor is installed.	Verify that the refrigerant sensor is installed instead of the CO ₂ sensor.
The pump is not making a sound.	The pump has failed.	If the battery has a proper charge, contact INFICON.

17 Warranty and Liability-Limitation

INFICON warrants your D-TEK 3 Refrigerant Leak Detector to be free from defects of materials or workmanship for one or two years (depending on region) from the date of purchase. INFICON does not warrant items that deteriorate under normal use, including batteries, sensors, and filters. In addition, INFICON does not warrant any instrument that has been subjected to misuse, negligence, or accident, or has been repaired or altered by anyone other than INFICON. INFICON liability is limited to instruments returned to INFICON, transportation prepaid, not later than thirty (30) days after the warranty period expires, and which INFICON judges to have malfunctioned because of defective materials or workmanship. INFICON liability is limited to, at its option, repairing or replacing the defective instrument or part. This warranty is in lieu of all other warranties, express or implied, whether of MERCHANTABILITY or of FITNESS FOR A PARTICULAR PURPOSE or otherwise. All such other warranties are expressly disclaimed. INFICON shall have no liability in excess of the price paid to INFICON for the instrument plus return transportation charges prepaid. INFICON shall have no liability for any incidental or consequential damages. All such liabilities are EXCLUDED.

1	Precauciones y advertencias	22
2	Especificaciones	24
3	D-TEK 3	26
4	Carga de la batería	27
5	Encendido del instrumento y preparación para su uso	28
6	Modo Pinpoint (precisión puntual)	28
7	Modo Manual Zero (puesta a cero manual)	29
8	Auriculares y control de volumen	29
9	Extracción e instalación de la batería de iones de litio	30
10	Desmontaje e instalación del sensor	31
11	Sustitución de los filtros	32
12	Sonda extralarga	33
13	Sensores opcionales	34
14	Limpieza y almacenamiento	35
15	Piezas de repuesto y accesorios	35
16	Guía para la resolución de problemas	36
17	Garantía y limitación de responsabilidad	37

1 Precauciones y advertencias

Precauciones:

- Utilice solo cargadores y cables certificados con una salida de 5 V (CC) $\pm 5\%$, 1 A $\pm 5\%$.
- Mantenga el dispositivo alejado de lugares con temperaturas extremadamente altas o bajas.
- No exponga la batería a líquidos.
- No utilice el dispositivo si observa algún daño en la batería.
- No desmonte ni modifique la batería.
- Manipule y deseche la batería de acuerdo con la normativa local.
- Si la operación de recarga no se completa aunque haya transcurrido el tiempo de recarga especificado, deténgala inmediatamente.
- No deje la batería desatendida mientras se carga.
- Desenchufe el cargador cuando la batería esté completamente cargada.
- El uso o la eliminación inadecuados de las baterías de iones de litio pueden provocar un incendio.
- Los entornos con alto nivel de RF pueden provocar falsas alarmas.



ADVERTENCIA

Este símbolo advierte al usuario de la existencia de instrucciones de uso y mantenimiento importantes en la documentación incluida.



ADVERTENCIA

La exposición a altas concentraciones de CO₂ o refrigerantes es peligrosa y puede resultar potencialmente letal.

El instrumento no debe utilizarse en entornos tóxicos o peligrosos. No es un dispositivo de protección personal ni de salvamento. Se debe tener siempre extremo cuidado en ambientes potencialmente tóxicos o peligrosos.

**⚠ ADVERTENCIA**

Este producto no es intrínsecamente seguro y no debe utilizarse en presencia de emanaciones explosivas, polvo explosivo u otros productos químicos explosivos. Su uso en entornos con una concentración de refrigerante inflamable próxima al LEL (por sus siglas en inglés, límite inferior de explosividad) podría causar una explosión o un incendio con resultado de lesiones graves, muerte o daños materiales.

2 Especificaciones

Uso	interiores/exteriores
Tipo de sensor	de infrarrojos
Refrigerantes compatibles	
• Sensor de refrigerante (estándar, PN 724-701-G1)	Todos los CFC, HCFC, HFC, HFO y mezclas (incluidos los A2L)
• Sensor de CO ₂ (PN 724-701-G2)	R744 (dióxido de carbono)
• Sensor de refrigerante inflamable (HC) (PN 724-701-G3)	R290, R600a, R441a (consulte las advertencias de seguridad)
Sensibilidad (probada según la norma EN 14624) ¹	
• R134a	1 g/año (0,04 oz/año)
• R1234yf	0,5 g/año (0,02 oz/año)
• R290	5 g/año (0,2 oz/año)
• R744 (CO ₂)	2 g/año (0,07 oz/año)
• Amoniaco	3 g/año (0,1 oz/año)
Tipo de batería	iones de litio
Tipo de entrada de carga	micro USB
Tiempo de carga (desde 0 %)	aproximadamente 3 horas
Duración de la batería	aproximadamente 9 horas
Vida útil del sensor	Hasta 2000 h
Tensión de entrada	5 V (CC) ±5 %
Corriente de entrada	1 A ±5 %
Período de calentamiento	45-90 segundos
Rangos de temperatura y humedad	
• Almacenamiento	-20-60 °C (-4-140 °F)
• Funcionamiento ²	-20-50 °C (-4-122 °F)
• Carga	0-45 °C (32-113 °F)
• Humedad	95 % HR sin condensación máx.
Altitud	2000 m (6500 ft)
Nivel de contaminación	2
Categoría de sobretensión	2
Peso (con batería, sin incluir estuche ni accesorios)	0,44 kg (0,97 lb)

¹ Para lograr un rendimiento óptimo y las sensibilidades especificadas, se recomienda dejar funcionar el D-TEK 3 durante 15 minutos antes de su uso.

² El uso con temperaturas inferiores a 0 °C (32 °F) debe ser limitado. Se recomienda un tiempo de calentamiento prolongado antes de utilizarlo en entornos de baja temperatura.

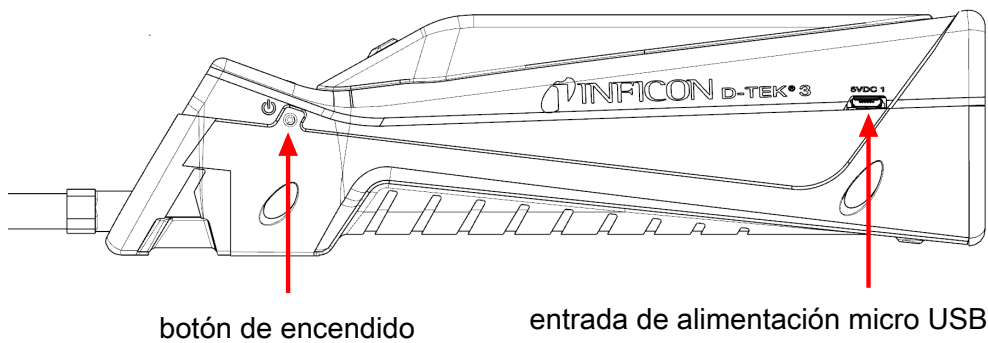
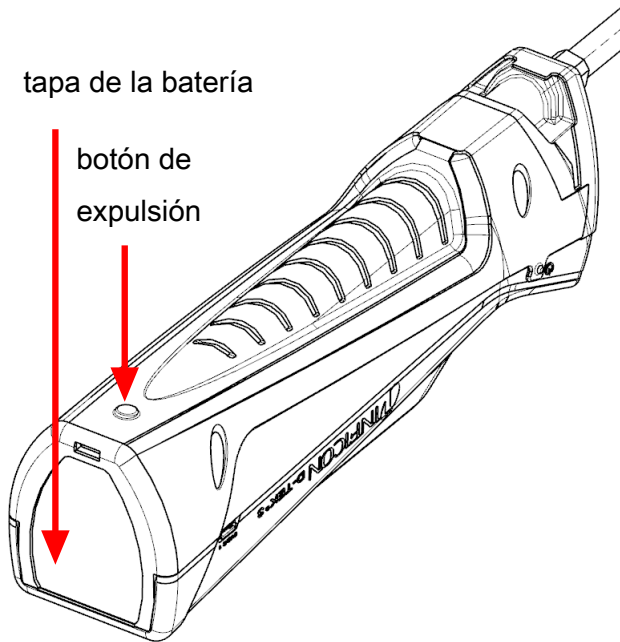
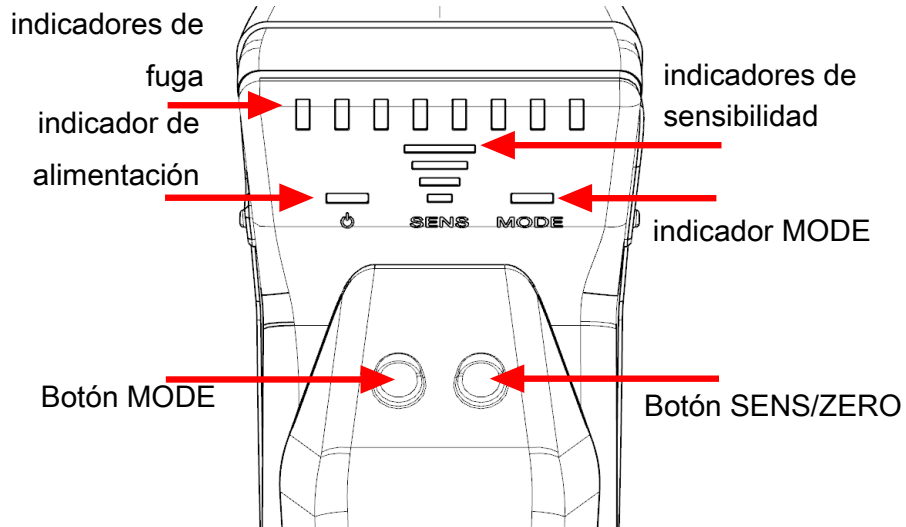
Tabla de especificaciones según EN 14624:2020

	R134a	R1234yf	R744 (CO ₂)	Amoniaco (R717)	R290
Sensibilidad mínima, fija (estática)	1 g/año	0,5 g/año	2 g/año	3 g/año	5 g/año
Sensibilidad mínima, en movimiento (dinámica)	1 g/año	1 g/año	2 g/año	3 g/año	5 g/año
Tiempo mínimo de detección/respuesta	< 1 s	< 1 s	< 1 s	< 1 s	< 1 s
Tiempo de recuperación en el caso de una exposición de x g/año ³	7,6 s	6,4 s	13 s	4 s	4 s
Sensibilidad mínima en entornos contaminados	> 2 g/año	1 g/año	> 4 g/año	3 g/año	7 g/año
Frecuencia de calibración	Comprobar anualmente con un patrón de fuga calibrado				

³ x= R134a: 32 g/año
 R1234yf: 35 g/año
 R744: > 50 g/año
 R717: 35 g/año
 R290: 30 g/año

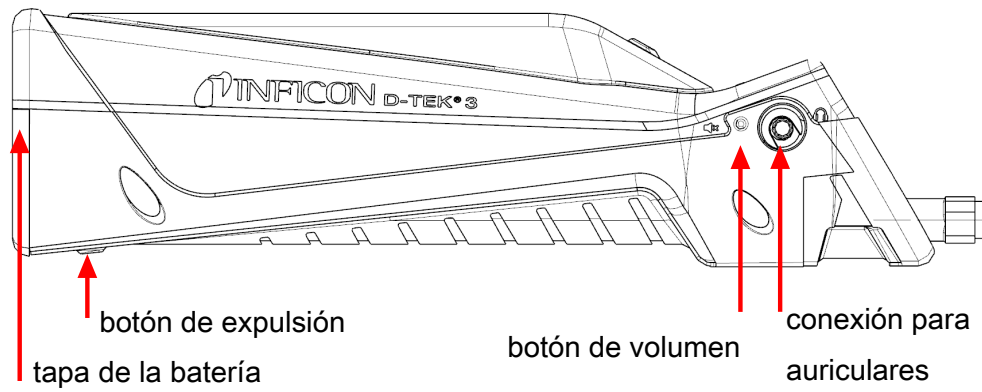
Patentes (pendientes) Solicitud n.º 10 2018 208 826.8

3 D-TEK 3



Español

Español



4 Carga de la batería

El D-TEK 3 utiliza una batería recargable de iones de litio que viene parcialmente cargada. INFICON recomienda cargar la batería antes de usarla. Con el cargador suministrado o el accesorio de la base de carga, una batería completamente descargada se puede cargar al 80 % en aproximadamente 2 horas y al 100 % en aproximadamente 3 horas. Una carga completa normalmente dura unas 9 horas de funcionamiento, dependiendo de la temperatura de funcionamiento. El indicador de encendido muestra el porcentaje de batería restante.

Color	% de carga
Verde	>30 %
Naranja	10-29 %
Rojo	<10 %



D-TEK 3 puede utilizarse mientras está cargándose.

5 Encendido del instrumento y preparación para su uso



Si la pantalla no se enciende, la carga de la batería es baja y es necesario cargarla. D-TEK 3 puede utilizarse mientras está cargándose.

- 1 Pulse de manera prolongada el botón de encendido (situado en el lado izquierdo del cuerpo del instrumento) para **encender** o **apagar** el D-TEK 3.
 - ⇒ El D-TEK 3 empieza un tiempo de calentamiento que puede variar entre 45 y 90 segundos. Una vez finalizado el calentamiento, el D-TEK 3 estará listo para su uso.
- 2 Para cambiar de modo, pulse el botón **MODE**. Esto permite alternar entre los modos **Pinpoint** y **Manual Zero**.



El D-TEK 3 siempre se pone en marcha en el último modo utilizado.

6 Modo Pinpoint (precisión puntual)

- 1 Coloque la punta del D-TEK 3 tan cerca como sea posible de la sospecha de fuga (sin bloquear el flujo de aire).
- 2 Pase lentamente la sonda sobre cada posible punto de fuga.
 - ⇒ Si se detecta una fuga, el D-TEK 3 emitirá una alarma y se encenderán los indicadores de fuga.
- 3 Si se identifica una fuga, separe la sonda de la fuga durante unos segundos y vuelva a colocarla en el mismo sitio para verificarla.



En el modo **Pinpoint** (precisión puntual), el D-TEK 3 pone automáticamente a cero la concentración de refrigerante de fondo y solo vuelve a alertar con concentraciones de refrigerante más altas. Cuando esto ocurra, continúe buscando una mayor concentración de refrigerante o mueva la sonda a un área de menor concentración durante unos segundos para restablecer el punto cero.



Pulse el botón **SENS/ZERO** para cambiar el ajuste de sensibilidad. Cuando se trabaja con una fuga grande, puede ser más fácil localizar la ubicación de la fuga con un ajuste de sensibilidad más bajo. La sensibilidad actual se muestra mediante el indicador de sensibilidad (SENS).

7 Modo Manual Zero (puesta a cero manual)

El modo **Manual Zero** funciona de forma similar al modo **Pinpoint**, pero puede identificarse porque el indicador **MODE** parpadea lentamente. El modo **Manual Zero** permite al usuario poner a cero manualmente el refrigerante de fondo pulsando el botón **SENS/ZERO**. Una vez establecido el nuevo punto cero, el D-TEK 3 no activará la alarma a menos que se detecte una concentración más alta de refrigerante.

El modo **Manual Zero** emite pitidos más rápidos en el punto cero que otros modos. Si la concentración es inferior al punto cero actual, el pitido se ralentiza. Esto permite al usuario saber si se está alejando de la fuga al escuchar un cambio en la frecuencia del pitido.



No hay ningún ajuste de sensibilidad en el modo **Manual Zero**.



El modo **Manual Zero** requiere un tiempo de calentamiento adicional de hasta 15 minutos para un rendimiento óptimo.

8 Auriculares y control de volumen

En el lado derecho del D-TEK 3 hay un conector para escuchar los sonidos de la alarma a través de auriculares.



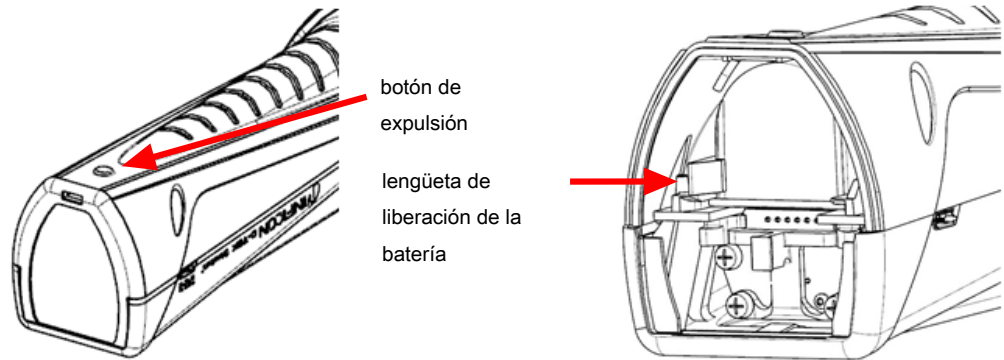
ADVERTENCIA

Si intenta utilizar auriculares no suministrados por INFICON, asegúrese de probarlos cuidadosamente para evitar daños auditivos.

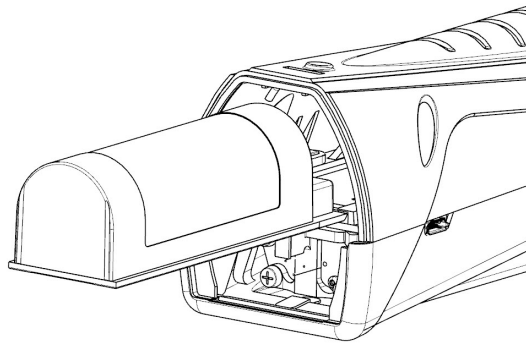
Hay un botón de volumen junto a la toma de auriculares. Pulse el botón de volumen para cambiar del 100 % de volumen al 50 % del volumen, y para silenciarlo. El volumen predeterminado es el 100 % al inicio. Cuando se conectan los auriculares, el volumen cambia entre 100 % del volumen y silencio.

9 Extracción e instalación de la batería de iones de litio

- 1 Pulse el botón de expulsión en la parte posterior del D-TEK 3 y retire la tapa de la batería.



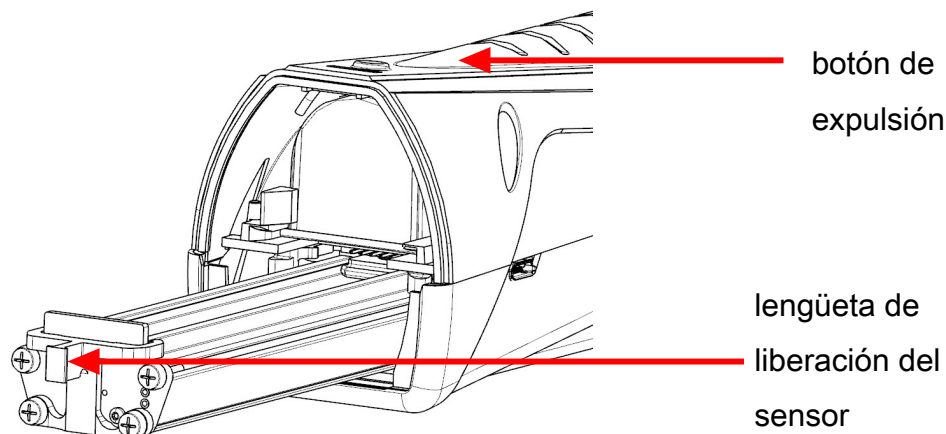
- 2 Retire la batería moviendo la lengüeta de liberación de la batería hacia un lado hasta que la batería comience a eyectarse. Deslice la batería hacia afuera.
- 3 Alinee la batería con los rieles.



- 4 Empuje suavemente la batería a lo largo de los rieles hasta que la lengüeta de liberación de la batería se enganche.
⇒ No fuerce la batería. Si la batería no se desliza libremente, compruebe la alineación e inténtelo de nuevo.
- 5 Vuelva a instalar la tapa de la batería.

10 Desmontaje e instalación del sensor

El D-TEK 3 utiliza un sensor tipo cartucho que se puede quitar y sustituir fácilmente in situ. Además del sensor estándar, INFICON ofrece un sensor específico para CO₂ para su uso en aplicaciones de refrigeración y aire acondicionado. Consulte Piezas de repuesto y accesorios [▶ 35].

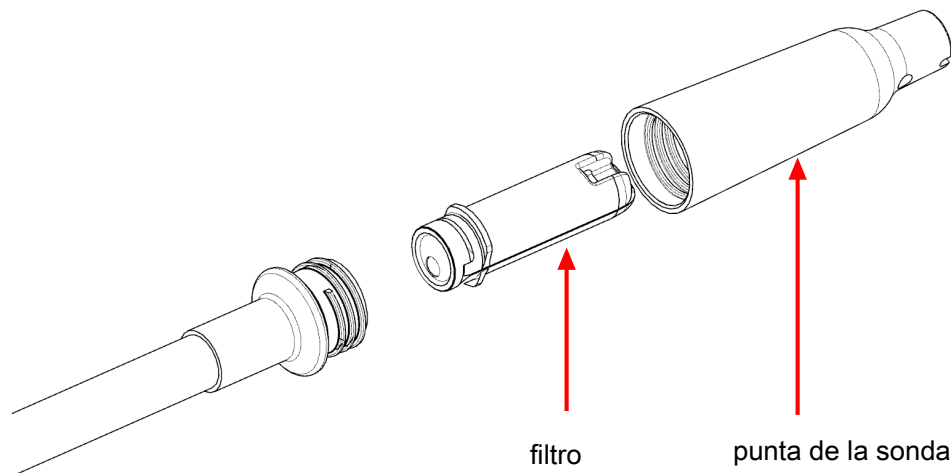


Para sustituir el sensor:

- 1** Pulse el botón de expulsión en la parte posterior del D-TEK 3 y retire la tapa de la batería.
- 2** Sujete la lengüeta de liberación del sensor y tire de ella con cuidado.
- 3** Alinee el nuevo sensor con los rieles.
- 4** Empuje suavemente el sensor a lo largo de los rieles hasta que esté completamente insertado.
 - ⇒ No fuerce el sensor. Si no se desliza libremente, compruebe la alineación e inténtelo de nuevo.
- 5** Vuelva a instalar la tapa de la batería.

11 Sustitución de los filtros

El D-TEK 3 utiliza un cartucho de filtro hidrófobo que permite el paso de aire y refrigerantes a la vez que filtra el agua, la suciedad y el aceite. Examine el paño blanco para determinar si es necesario cambiar el filtro. Si el paño está descolorido, instale un filtro nuevo. Cambiar el filtro también es un paso fácil para solucionar problemas si sospecha que su detector de fugas no detecta correctamente los refrigerantes. Un filtro de aire obstruido puede limitar el flujo de aire de muestra.



La exposición del filtro al agua o al aceite puede bloquear el flujo de aire. Si esto ocurre, retire el filtro con la sonda hacia abajo para evitar que entren contaminantes en la sonda e instale un filtro nuevo. Si el filtro está húmedo, puede ser reutilizado una vez que se seque.



⚠ PRECAUCIÓN

No utilice nunca el instrumento sin una punta de sonda y un filtro.

Para sustituir el filtro:

- 1 Desenrosque la punta de la sonda y retire el filtro.
- 2 Introduzca el filtro nuevo en la sonda.
- 3 Enrosque la punta de la sonda.

12 Sonda extralarga

La sonda extralarga opcional de sustitución está pensada para la comprobación de fugas en zonas de difícil acceso.

Para instalar la sonda extralarga:

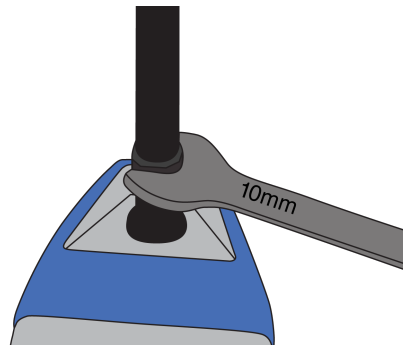
- 1 Desenrosque la sonda estándar del cuerpo de D-TEK 3 con una llave de 10 mm.
- 2 Enrosque la sonda extralarga con una fuerza de aproximadamente 35 in-lb (4 N-m). No la apriete excesivamente.
- 3 Desenrosque la punta de la sonda estándar y retire el filtro (o utilice uno nuevo).
- 4 Introduzca el filtro en la sonda extralarga.
- 5 Enrosque la punta de en la sonda extralarga. No la apriete excesivamente.



PRECAUCIÓN

Retire siempre la sonda con una llave de 10 mm situada en la base de la sonda.

Si se desenrosca la sonda de cualquier otra forma distinta al método especificado, la sonda puede sufrir daños.



13 Sensores opcionales

Hay disponible sensores opcionales para utilizar en aplicaciones de CO₂ (PN 724-701-G2) o de refrigerante inflamable (PN 724-701-G3). Para utilizar el sensor de CO₂ o refrigerante inflamable, retire el sensor estándar e instale el nuevo sensor siguiendo las instrucciones de la sección Desmontaje e instalación del sensor [▶ 31]. D-TEK 3 reconoce automáticamente el tipo de sensor y el indicador **MODE** se ilumina en el color adecuado para indicar el tipo de sensor mientras este permanezca colocado. Verde indica CO₂, rojo indica refrigerante inflamable y naranja indica que está colocado el sensor de refrigerante estándar.



Si D-TEK 3 no reconoce automáticamente el sensor de refrigerante inflamable, póngase en contacto con INFICON para solicitar una actualización del software.



El sensor de refrigerante inflamable no permite detectar hidrógeno ni tampoco gases que generen hidrógeno.



Durante la búsqueda de fugas de CO₂, se recomienda utilizar un respirador o una máscara para evitar la exhalación de CO₂ sobre la sonda.



⚠ ADVERTENCIA

La exposición a altas concentraciones de CO₂ o refrigerantes es peligrosa y puede resultar potencialmente letal.

El instrumento no debe utilizarse en entornos tóxicos o peligrosos. No es un dispositivo de protección personal ni de salvamento. Se debe tener siempre extremo cuidado en ambientes potencialmente tóxicos o peligrosos.



⚠ ADVERTENCIA

Este producto no es intrínsecamente seguro y no debe utilizarse en presencia de emanaciones explosivas, polvo explosivo u otros productos químicos explosivos. Su uso en entornos con una concentración de refrigerante inflamable próxima al LEL (por sus siglas en inglés, límite inferior de explosividad) podría causar una explosión o un incendio con resultado de lesiones graves, muerte o daños materiales.

14 Limpieza y almacenamiento

El D-TEK 3 se puede limpiar con detergente suave o alcohol isopropílico. Hay que tener cuidado para evitar que el limpiador entre en el instrumento. No lo limpie con gasolina, acetona ni otros disolventes agresivos, ya que pueden dañar el plástico o la pantalla.

15 Piezas de repuesto y accesorios

Maletín de transporte de repuesto	721-700-G1
Auriculares	721-607-G1
Cargador de 12 V (CC) para coche	721-605-G1
Cargador de pared de CA (incluye enchufes para varias regiones)	721-606-G1
Batería de iones de litio	721-702-G1
Base de carga de la batería	721-610-G1
Combinación de batería y base de carga	721-604-G1
Sensor estándar (detecta CFC, HCFC, HFC, HFO y mezclas [incluidos A2L])	724-701-G1
Sensor de CO ₂	724-701-G2
Sensor de refrigerante inflamable (HC)	724-701-G3
Cartuchos filtrantes (5 unidades)	712-707-G1
Tapa de la sonda de repuesto	712-705-G1
Extensión de la sonda de aguja	721-612-G1
Sonda extralarga	721-611-G1
Fuga de prueba TEK-Check R134a	703-080-G10

16 Guía para la resolución de problemas

Problema	Causa	Solución
El indicador de encendido parpadea rápidamente en color rojo.	Se ha producido un error de batería. Esto puede deberse a un fallo de la batería, a una instalación incorrecta o a una mala conexión.	Retire y vuelva a instalar la batería. Si el problema no se soluciona, sustituya la batería. Consulte la sección Extracción e instalación de la batería de iones de litio [▶ 30].
	La batería está por encima o por debajo del rango de temperatura ideal y es posible que no se cargue correctamente.	Deje que la batería vuelva a su temperatura normal.
Todos los indicadores de fuga parpadean.	Se ha producido un error en el sensor. Esto puede deberse a un sensor defectuoso, una instalación incorrecta o una mala conexión.	Retire y vuelva a instalar el sensor. Si el problema no se soluciona, sustituya el sensor. Consulte la sección Desmontaje e instalación del sensor [▶ 31].
Los indicadores no se encienden después de mantener pulsado el botón de encendido.	La carga de la batería es críticamente baja.	Cargue la batería o conecte la unidad a un cargador.
La unidad se enciende, pero no detecta refrigerante.	La unidad no ha completado el calentamiento.	Espere a que termine el calentamiento. Puede tardar entre 45 y 90 segundos.
	El filtro está obstruido, lo que restringe el flujo de aire.	Sustituya el cartucho del filtro. Consulte la sección Sustitución de los filtros [▶ 32].
	La bomba ha fallado.	Escuche el sonido de la bomba. Si la bomba no hace ruido y la batería tiene una carga adecuada, póngase en contacto con INFICON.

Problema	Causa	Solución
	La sensibilidad está ajustada en un nivel demasiado bajo (solo en modo Pinpoint).	Compruebe el nivel de sensibilidad. Para fugas muy pequeñas, debe usarse el ajuste High (alta) o Super (muy alta).
	El sensor instalado no es el correcto.	Compruebe que se está utilizando el sensor correcto (sensor de refrigerante o sensor de CO ₂).
La unidad avisa cuando hay aire limpio.	El sensor instalado no es el correcto.	Compruebe que esté instalado el sensor de refrigerante en lugar del sensor de CO ₂ .
La bomba no hace ruido.	La bomba ha fallado.	Si la batería tiene una carga adecuada, póngase en contacto con INFICON.

17 Garantía y limitación de responsabilidad

INFICON garantiza el detector de fugas de refrigerante D-TEK 3 frente a defectos de materiales o fabricación durante uno o dos años (dependiendo de la región) a partir de la fecha de compra. INFICON no garantiza los elementos que se deterioran con el uso normal, como las pilas, los sensores y los filtros. Además, INFICON no incluye en la garantía los instrumentos que hayan sido objeto de un uso indebido o una negligencia o hayan sufrido un accidente, o que haya reparado o alterado un tercero distinto de INFICON. La responsabilidad de INFICON queda limitada a los instrumentos devueltos a INFICON, con portes pagados, en un plazo de treinta (30) días tras la finalización del periodo de garantía y que, a juicio de INFICON, presenten un funcionamiento incorrecto a causa de defectos de materiales o fabricación. La responsabilidad de INFICON queda limitada a reparar o sustituir, a su elección, el instrumento o la pieza defectuosos. Esta garantía se ofrece en lugar de cualquier otra garantía, explícita o implícita, ya sea de COMERCIALIZACIÓN o de ADECUACIÓN A UN PROPÓSITO ESPECÍFICO o de otro tipo. Todas las demás garantías de este tipo están expresamente excluidas. INFICON no tendrá ninguna responsabilidad más allá del precio pagado a INFICON por el instrumento más los portes prepagados para su devolución. INFICON no tendrá ninguna responsabilidad por daños incidentales o derivados. Quedan EXCLUIDAS todas estas responsabilidades.

1	Warnungen und Vorsichtshinweise	41
2	Spezifikationen	43
3	D-TEK 3	45
4	Aufladen der Batterie	46
5	Einschalten des Geräts und Vorbereitung zur Verwendung.....	47
6	Pinpoint-Modus	47
7	Betriebsart Manual Zero (Manueller Nullabgleich).....	48
8	Kopfhörer und Lautstärkeregler	48
9	Auswechseln des Lithium-Ionen-Akkus	49
10	Auswechseln des Sensors	50
11	Austausch der Filter.....	51
12	Extralange Sonde	52
13	Optionale Sensoren	53
14	Reinigung und Aufbewahrung	54
15	Ersatzteile und Zubehör	54
16	Fehlersuchanleitung	55
17	Garantie und Haftungsbeschränkung	56

1 Warnungen und Vorsichtshinweise

Vorsichtshinweise:

- Bitte nur ein zertifiziertes Ladegerät/Kabel mit einem Ladestrom von 5 V (DC) $\pm 5\%$, 1 A $\pm 5\%$ verwenden.
- Gerät bitte nicht an Orten mit extremen Temperaturen aufbewahren.
- Akku nicht in Kontakt mit Flüssigkeiten bringen.
- Gerät nicht benutzen, wenn Schäden am Akku festgestellt werden.
- Akku nicht auseinandernehmen oder modifizieren.
- Akku in Übereinstimmung mit örtlich geltenden Vorschriften entsorgen.
- Wenn der Wiederaufladevorgang nicht beendet wird, obwohl die angegebene Ladezeit abgelaufen ist, brechen Sie den Aufladevorgang sofort ab.
- Akku beim Aufladen nicht unbeaufsichtigt lassen.
- Wenn der Akku voll aufgeladen ist, Ladegerät vom Netz trennen.
- Die unsachgemäße Verwendung oder Entsorgung von Lithium-Ionen-Akkus kann einen Brand verursachen.
- Hochfrequenzumgebungen können einen Fehlalarm verursachen.



WARNUNG

Dieses Symbol weist den Benutzer auf wichtige Betriebs- und Wartungsanweisungen hin.



WARNUNG

Die Exposition gegenüber hohen Konzentrationen von CO₂ oder Kältemitteln ist gefährlich und kann lebensbedrohlich sein.

Das Gerät ist nicht für den Einsatz in toxischen oder gefährlichen Umgebungen geeignet. Es handelt sich nicht um persönliche Schutzausrüstung oder ein lebensrettendes Gerät. Gehen Sie in potenziell toxischen oder gefährlichen Umgebungen stets mit äußerster Vorsicht vor.

**⚠️ WARNUNG**

Dieses Produkt ist nicht eigensicher und darf nicht in Gegenwart von explosiven Dämpfen, explosivem Staub oder anderen explosiven Chemikalien verwendet werden. Die Verwendung in einer Umgebung mit einer Konzentration an brennbarem Kältemittel, die sich der unteren Explosionsgrenze (UEG) nähert, kann eine Explosion oder ein Feuer verursachen, das zu schweren Verletzungen, Tod oder Sachschäden führen kann.

2 Spezifikationen

Einsatzbereich	Innen-/Außenbereich
Sensortyp	infrarot
Kompatible Kältemittel	
• Kältemittelsensor (Standard, PN 724-701-G1)	alle FCKWs, HFCKWs, HFCs, HFOs und Mischungen (einschließlich A2Ls)
• CO ₂ -Sensor (PN 724-701-G2)	R744 (Kohlendioxid)
• Sensor für entflammbares Kältemittel (HC) (PN 724-701-G3)	R290, R600a, R441a (siehe Sicherheitswarnhinweise)
Empfindlichkeit (geprüft nach EN14624) ¹	
• R134a	1 g/Jahr (0,04 Unzen/Jahr)
• R1234yf	0,5 g/Jahr (0,02 Unzen/Jahr)
• R290	5 g/Jahr (0,2 Unzen/Jahr)
• R744 (CO ₂)	2 g/Jahr (0,07 Unzen/Jahr)
• Ammoniak	3 g/Jahr (0,1 Unzen/Jahr)
Akkutyp	Lithium-Ionen
Ladeeingangstyp	Micro-USB
Ladezeit (beginnend ab 0 %)	ca. 3 Stunden
Batterielebensdauer	ca. 9 Stunden
Sensorlebensdauer	Bis zu 2000 h
Eingangsspannung	5 V (DC) ±5%
Eingangsstrom	1 A ±5%
Aufwärmzeit	45–90 Sekunden
Temperaturbereiche und Luftfeuchtigkeit	
• Lagerung	-20 bis 60 °C (-4 bis 140 °F)
• Im Betrieb ²	-20 bis 50 °C (-4 bis 122 °F)
• Aufladung	0 bis 45 °C (32 bis 113 °F)
• Luftfeuchtigkeit	95% rF nk maximal
Höhe ü.d.M.	2000 m (6500 ft.)
Verschmutzungsgrad	2
Überspannungskategorie	2
Gewicht (mit Akku, ohne Tragekoffer oder Zubehör)	0,44 kg (0,97 lb.)

¹ Zur Erreichung der optimalen Leistung und der angegebenen Empfindlichkeiten das D-TEK 3 15 Minuten vor der Verwendung einschalten.

² Bei Temperaturen unter 0 °C (32 °F) sollte das Gerät nur begrenzt verwendet werden. Vor der Verwendung in Umgebungen mit tiefen Temperaturen wird eine längere Aufwärmzeit empfohlen.

Tabelle der technischen Daten gemäß EN 14624:2020

	R134a	R1234yf	R744 (CO ₂)	Ammoniak (R717)	R290
Mindestempfindlichkeit, stationär (statisch)	1 g/Jahr	0,5 g/Jahr	2 g/Jahr	3 g/Jahr	5 g/Jahr
Mindestempfindlichkeit, mobil (dynamisch)	1 g/Jahr	1 g/Jahr	2 g/Jahr	3 g/Jahr	5 g/Jahr
Minimale Ansprech-/ Nachweiszeit	<1 Sek.	<1 Sek.	<1 Sek.	<1 Sek.	<1 Sek.
Erholzeit bei Exposition von x g/Jahr ³	7,6 Sek.	6,4 Sek.	13 Sek.	4 Sek.	4 Sek.
Minimale Empfindlichkeit in kontaminierten Umgebungen	>2 g/Jahr	1 g/Jahr	>4 g/Jahr	3 g/Jahr	7 g/Jahr
Kalibrierungsfrequenz	Jährlich mit kalibriertem Leckstandard überprüfen.				

³x = R134a: 32 g/Jahr

R1234yf: 35 g/Jahr

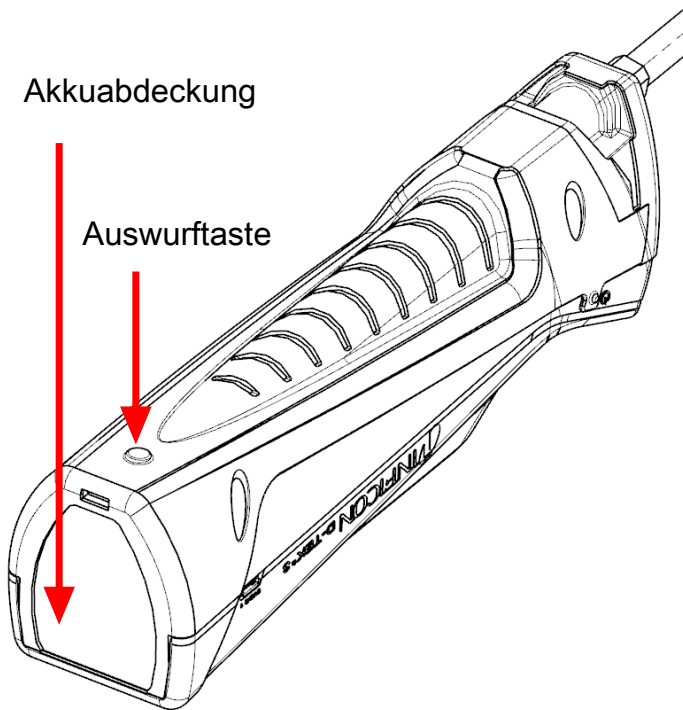
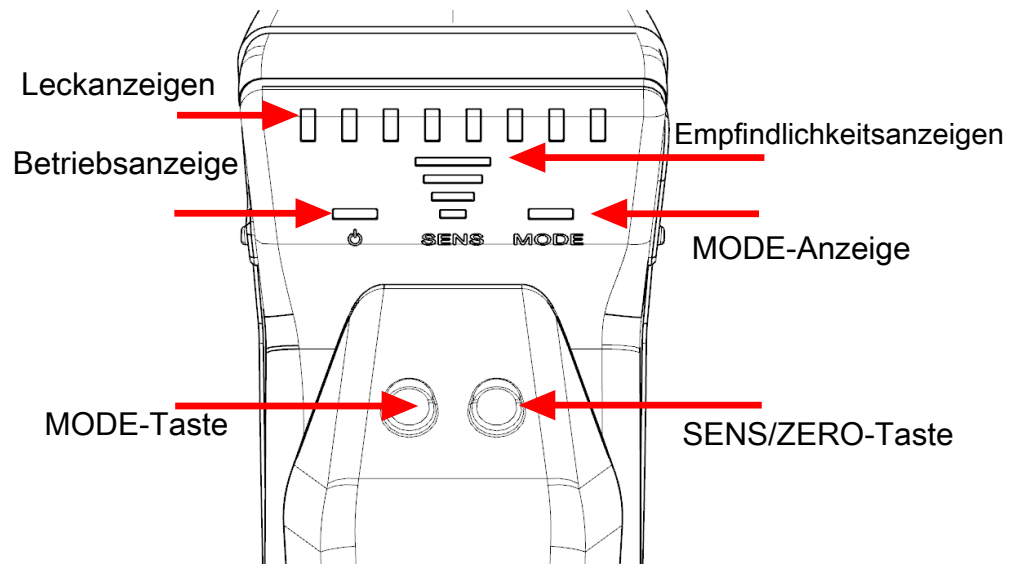
R744 >50 g/Jahr

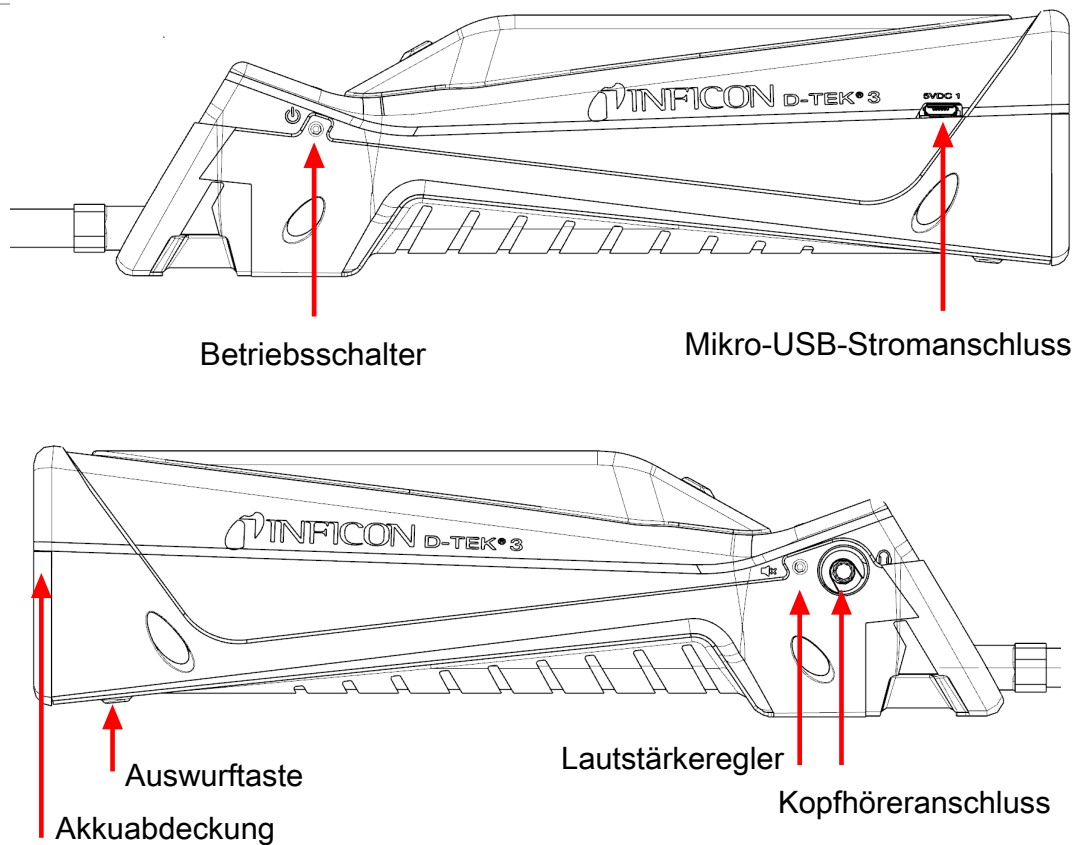
R717: 35 g/Jahr

R290: 30 g/Jahr

Patente (angemeldet) Anmeldung Nr. 10 2018 208 826.8

3 D-TEK 3





4 Aufladen der Batterie

Der D-TEK 3 verwendet einen wiederaufladbaren Lithium-Ionen-Akku, der teilaufgeladen geliefert wird. INFICON empfiehlt, den Akku vor der Verwendung vollständig aufzuladen. Mithilfe des mitgelieferten Ladegeräts oder der Ladestation kann ein leerer Akku in ca. 2 Stunden auf 80% und in ca. 3 Stunden auf 100% aufgeladen werden. Eine volle Ladung hält in Abhängigkeit von der Betriebstemperatur etwa 9 Stunden. Die Betriebsanzeige zeigt die verbleibende Akkukapazität in Prozent an.

Farbe	% Aufladung
Grün	>30 %
Orange	10–29%
Rot	<10 %



Der D-TEK 3 kann auch während des Ladevorgangs verwendet werden.

5 Einschalten des Geräts und Vorbereitung zur Verwendung



Wenn sich der Bildschirm nicht einschaltet, ist der Akku fast leer und muss aufgeladen werden. Der D-TEK 3 kann auch während des Ladevorgangs verwendet werden.

- 1 Mit einem langen Druck auf den Betriebsschalter (an der linken Seite des Geräts) kann der D-TEK 3 eingeschaltet (**On**) oder ausgeschaltet (**Off**) werden.
⇒ Der D-TEK 3 beginnt eine 45 bis 90 Sekunden lange Aufwärmphase. Nach dem Abschluss des Aufwärmvorgangs ist der D-TEK 3 einsatzbereit.
- 2 Drücken Sie zum Wechseln der Betriebsart die **MODE**-Taste. Damit wird zwischen den Betriebsarten **Pinpoint** (Lokalisierung) und **Manual Zero** (Manueller Nullabgleich) gewechselt.



Der D-TEK 3 startet immer in der zuletzt verwendeten Betriebsart.

6 Pinpoint-Modus

- 1 Bringen Sie die Spitze des D-TEK 3 so nah wie möglich an die Stelle, an der Sie ein Leck vermuten (Luftstrom nicht blockieren).
- 2 Bewegen Sie die Sonde langsam entlang der einzelnen potenziellen Leckstellen.
⇒ Wenn ein Leck erkannt wird, gibt das D-TEK 3 einen Alarm aus und die Leckanzeigen leuchten auf.
- 3 Wird ein Leck identifiziert, ziehen Sie die Sonde für einige Sekunden von der undichten Stelle zurück und prüfen Sie die Stelle anschließend erneut, um das Leck zu bestätigen.



In der Betriebsart **Pinpoint** wird der D-TEK 3 automatisch auf die Hintergrundkonzentration des Kältemittels genullt und löst nur bei einer höheren Kältemittelkonzentration einen erneuten Alarm aus. In diesem Fall sollten Sie entweder weiter nach einer höheren Konzentration des Kältemittels suchen oder die Sonde für einige Sekunden in einen Bereich mit niedrigerer Konzentration bewegen, um das Gerät auf Null zurückzusetzen.



Wenn Sie die Empfindlichkeitseinstellung ändern möchten, müssen Sie die Taste **SENS/ZERO** drücken. Bei einem großen Leck kann die exakte Ortung des Lecks einfacher sein, wenn Sie eine niedrigere Empfindlichkeitseinstellung wählen. Die aktuelle Empfindlichkeit wird durch die Empfindlichkeitsanzeige (SENS) angezeigt.

7 Betriebsart Manual Zero (Manueller Nullabgleich)

Die Betriebsart **Manual Zero** funktioniert ähnlich wie die Betriebsart **Pinpoint**, sie wird jedoch durch langsames Blinken der **MODE**-Anzeige angezeigt. Die Betriebsart **Manual Zero** ermöglicht die manuelle Nullung des Geräts auf die Hintergrundkonzentration des Kältemittels durch Drücken der Taste **SENS/ZERO**. Nach der Einstellung des neuen Nullpunkts löst der D-TEK 3 nur dann einen neuen Alarm aus, wenn eine höhere Konzentration des Kältemittels erkannt wird.

In der Betriebsart **Manual Zero** piept das Gerät am Nullpunkt schneller als in den anderen Betriebsarten. Wenn die Konzentration niedriger ist als am aktuellen Nullpunkt, verlangsamt sich das Piepen. So zeigt eine Veränderung der Piepfrequenz dem Benutzer an, ob er sich von der Leckquelle entfernt.



In der Betriebsart **Manual Zero** gibt es keine Empfindlichkeitseinstellung.



Für die optimale Leistung wird in der Betriebsart **Manual Zero** eine zusätzliche Aufwärmzeit von 15 Minuten benötigt.

8 Kopfhörer und Lautstärkeregler

An der rechten Seite des D-TEK 3 befindet sich ein Kopfhöreranschluss für die Wiedergabe von Alarmtönen über Kopfhörer oder Ohrhörer.



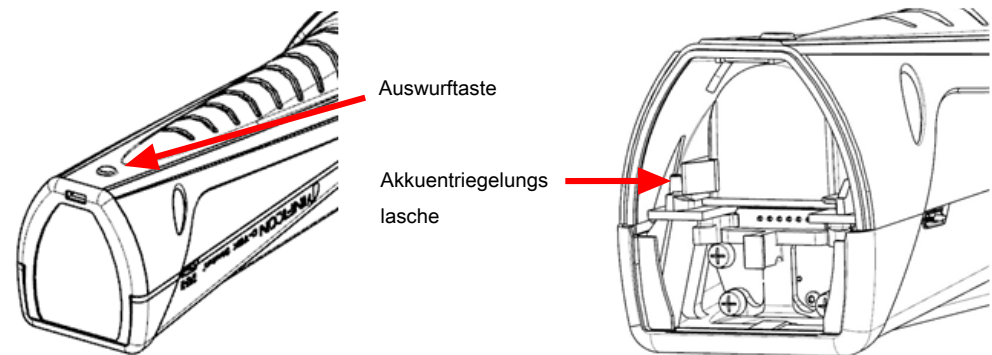
WARNUNG

Wenn Sie andere als die von INFICON gelieferten Kopfhörer verwenden möchten, sollten Sie diese sorgfältig testen, um eventuelle Gehörschäden zu vermeiden.

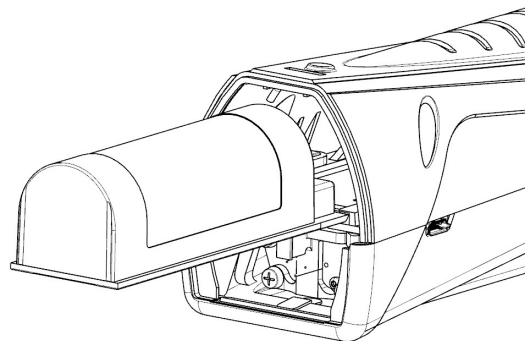
Neben dem Kopfhöreranschluss befindet sich ein Lautstärkeregler. Durch wiederholtes Drücken des Lautstärkereglers lässt sich die Lautstärke von 100 % auf 50 % und dann auf stumm schalten. Die Standardeinstellung für die Lautstärke beim Einschalten ist 100 %. Wenn Kopfhörer oder Ohrhörer eingesteckt sind, wechselt die Lautstärke beim Umschalten zwischen 100 % Lautstärke und Stummschaltung.

9 Auswechseln des Lithium-Ionen-Akkus

- 1 Drücken Sie die Auswurfaste auf der Rückseite des D-TEK 3 und nehmen Sie die Akkuabdeckung ab.



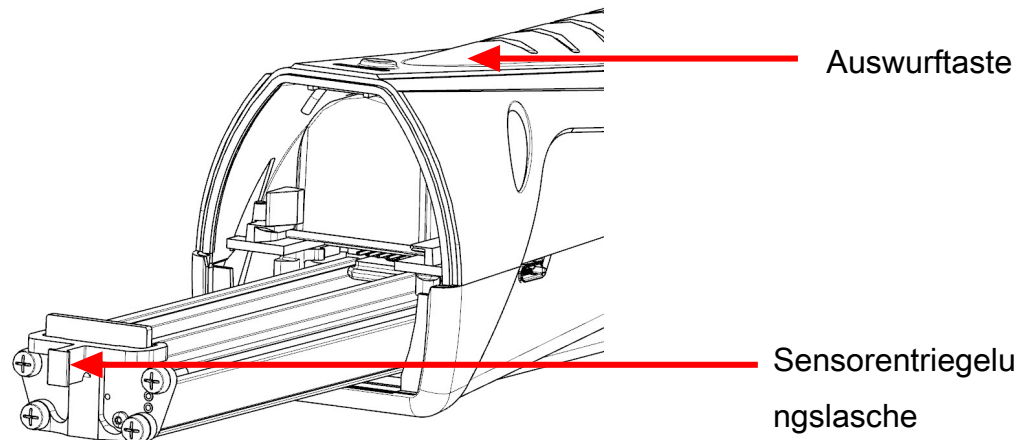
- 2 Entnehmen Sie den Akku, indem Sie die Entriegelungslasche zur Seite schieben, bis Sie den Akku greifen können. Ziehen Sie den Akku heraus.
- 3 Richten Sie den neuen Akku auf die Führungsschienen aus.



- 4 Schieben Sie den Akku dann vorsichtig entlang der Führungsschienen ein, bis die Akku-Entriegelungslasche einrastet.
 - ⇒ Dabei bitte keine Gewalt anwenden. Wenn der Akku sich nicht problemlos einschieben lässt, überprüfen Sie seine Ausrichtung und versuchen Sie es erneut.
- 5 Setzen Sie die Akkuabdeckung wieder auf.

10 Auswechseln des Sensors

Der D-TEK 3 verwendet einen Sensor in Patronenform, der sich am Einsatzort schnell und bequem austauschen lässt. Neben dem Standardsensor bietet INFICON außerdem einen CO₂ spezifischen Sensor für Anwendungen in der Kälte- und Klimatechnik an. See Ersatzteile und Zubehör [► 54].

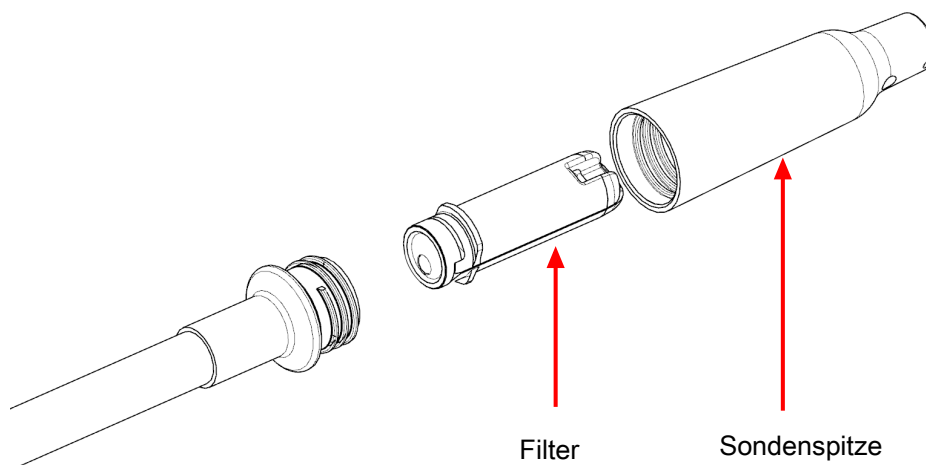


Austausch des Sensors:

- 1** Drücken Sie die Auswurfaste auf der Rückseite des D-TEK 3 und nehmen Sie die Akkuabdeckung ab.
- 2** Greifen Sie die Sensor-Entriegelungsglasche und ziehen Sie den alten Sensor vorsichtig heraus.
- 3** Richten Sie den neuen Sensor auf die Führungsschienen aus.
- 4** Schieben Sie den Sensor vorsichtig entlang der Führungsschienen ein, bis er vollständig einrastet.
⇒ Dabei bitte keine Gewalt anwenden. Wenn der Sensor sich nicht leicht einschieben lässt, überprüfen Sie seine Ausrichtung und versuchen Sie es erneut.
- 5** Setzen Sie die Akkuabdeckung wieder auf.

11 Austausch der Filter

Der D-TEK 3 verwendet eine hydrophobe Filterpatrone, die Luft und Kältemittel durchlässt, während Wasser, Schmutz und Öl zurückgehalten werden. Schauen Sie sich das weiße Gewebematerial an, um zu entscheiden, ob der Filter erneuert werden muss. Wenn das Gewebematerial verfärbt ist, sollten Sie einen neuen Filter einsetzen. Ein Filterwechsel ist außerdem ein leicht durchzuführender Schritt bei der Fehlersuche, wenn Sie vermuten, dass Ihr Lecksuchgerät Kältemittel nicht korrekt erkennen kann. Ein verstopfter Luftfilter kann den Durchfluss der Probenluft beeinträchtigen.



Durch Einwirkung von Wasser oder Öl auf den Filter kann der Luftstrom blockiert werden. In diesem Fall wird der Filter bei nach unten gerichteter Sonde herausgezogen, um zu vermeiden, dass Verunreinigungen in die Sonde gelangen und ein neuer Filter eingesetzt. Ein nasser Filter kann nach dem Trocknen wiederverwendet werden.



⚠ VORSICHT

Das Gerät bitte niemals ohne Sondenspitze und Filter verwenden.

Austausch des Filters:

- 1 Schrauben Sie die Sondenspitze ab und nehmen Sie den Filter heraus.
- 2 Setzen Sie den neuen Filter in die Sonde ein.
- 3 Schrauben Sie die Sondenspitze wieder auf. Nicht zu fest anziehen.

12 Extralange Sonde

Die optionale extralange Ersatzsonde kann für die Lecksuche in schwer zugänglichen Bereichen verwendet werden.

Anbringung der extralangen Sonde:

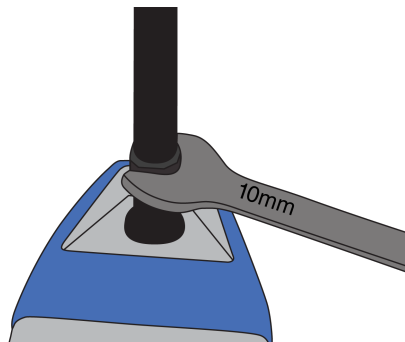
- 1 Schrauben Sie die Standardsonde vom Gehäuse des D-TEK 3 mit einem 10-mm-Schraubenschlüssel ab.
- 2 Extralange Sonde mit einem Drehmoment von etwa 4 N·m (35 in·lb) festziehen. Nicht zu fest anziehen.
- 3 Sondenspitze von der Standardsonde abschrauben und Filter entfernen (oder neuen Filter verwenden).
- 4 Filter in die extralange Sonde einsetzen.
- 5 Sondenspitze auf die extralange Sonde aufschrauben. Nicht zu fest anziehen.



VORSICHT

Setzen Sie zum Entfernen der Sonde immer einen 10-mm-Schraubenschlüssel im Sockelbereich der Sonde an.

Andernfalls kann die Sonde beschädigt werden.



13 Optionale Sensoren

Optionale Sensoren sind für den Einsatz in Anwendungen mit CO₂ (PN 724-701-G2) oder brennbaren Kältemitteln (PN 724-701-G3) erhältlich. Wenn der Sensor für CO₂ oder entflammbares Kältemittel verwendet werden soll, entfernen Sie den Standardsensor und installieren den neuen Sensor gemäß den Anweisungen im Abschnitt Auswechseln des Sensors [► 50]. D-TEK 3 erkennt automatisch den Sensortyp. Die **MODE**-Anzeige leuchtet in der entsprechenden Farbe auf, um den Sensortyp während der gesamten Installation des Sensors anzuzeigen. Grün steht für CO₂, Rot für entflammbares Kältemittel und Orange zeigt an, dass der Standard-Kältemittelsensor installiert ist.



Wenn D-TEK 3 Ihren Sensor für brennbares Kältemittel nicht automatisch erkennt, wenden Sie sich an INFICON, um eine Softwareaktualisierung zu veranlassen.



Der Sensor für entflammbare Kältemittel erkennt keinen Wasserstoff und auch keine Wasserstoff-Formiergase.



Bei der Suche nach CO₂-Lecks wird empfohlen, ein Atemschutzgerät oder eine Maske zu tragen, um das Ausatmen von CO₂ in Richtung der Sonde zu vermeiden.



WARNUNG

Die Exposition gegenüber hohen Konzentrationen von CO₂ oder Kältemitteln ist gefährlich und kann lebensbedrohlich sein.

Das Gerät ist nicht für den Einsatz in toxischen oder gefährlichen Umgebungen geeignet. Es handelt sich nicht um persönliche Schutzausrüstung oder ein lebensrettendes Gerät. Gehen Sie in potenziell toxischen oder gefährlichen Umgebungen stets mit äußerster Vorsicht vor.



WARNUNG

Dieses Produkt ist nicht eigensicher und darf nicht in Gegenwart von explosiven Dämpfen, explosivem Staub oder anderen explosiven Chemikalien verwendet werden. Die Verwendung in einer Umgebung mit einer Konzentration an brennbarem Kältemittel, die sich der unteren Explosionsgrenze (UEG) nähert, kann eine Explosion oder ein Feuer verursachen, das zu schweren Verletzungen, Tod oder Sachschäden führen kann.

14 Reinigung und Aufbewahrung

Der D-TEK 3 kann mit einem milden Reinigungsmittel oder mit Isopropylalkohol gereinigt werden. Dabei ist darauf zu achten, dass das Reinigungsmittel nicht in das Gerät eindringt. Benzin, Aceton oder andere aggressive Lösungsmittel sollten nicht verwendet werden, da sie den Kunststoff oder das Display beschädigen können.

15 Ersatzteile und Zubehör

Ersatztragekoffer	721-700-G1
Kopfhörer	721-607-G1
12 Volt (DC) Kfz-Ladegerät	721-605-G1
Wandladegerät (inkl. Stecker für unterschiedliche Regionen)	721-606-G1
Lithium-Ionen-Akku	721-702-G1
Akku-Ladestation	721-610-G1
Kombination Akku/Ladestation	721-604-G1
Standardsensor (zum Nachweis von FCKW, H-FCKW, H-FKW und HFO und Gemischen (einschließlich A2Ls))	724-701-G1
CO ₂ -Sensor	724-701-G2
Sensor für entflammbares Kältemittel (HC)	724-701-G3
Filterpatronen (5 Stck.)	712-707-G1
Ersatzsondenkappe	712-705-G1
Nadelsondenverlängerung	721-612-G1
Extralange Sonde	721-611-G1
TEK-Check R134a Prüffleck	703-080-G10

16 Fehlersuchanleitung

Störung	Ursache	Abhilfe
Die Betriebsanzeige blinkt schnell rot.	Es ist ein Akkufehler aufgetreten. Ursachen können ein fehlerhafter Akku, ein falsch installierter Akku oder eine schlechte Verbindung sein.	Akku aus- und wieder einbauen. Wird die Störung dadurch nicht behoben, Akku austauschen. Siehe Auswechseln des Lithium-Ionen-Akkus [▶ 49].
	Der Akku befindet sich unterhalb oder oberhalb des idealen Temperaturbereichs und wird möglicherweise nicht korrekt aufgeladen.	Akku auf Normaltemperatur bringen.
Alle Leckanzeigen blinken.	Es ist ein Sensorfehler aufgetreten. Ursachen können ein fehlerhafter Sensor, ein falsch installierter Sensor oder eine schlechte Verbindung sein.	Sensor aus- und wieder einbauen. Wird die Störung dadurch nicht behoben, Sensor austauschen. Siehe Auswechseln des Sensors [▶ 50].
Die Anzeigen schalten sich nach längerem Drücken des Betriebsschalters nicht ein.	Der Ladezustand des Akkus ist zu niedrig.	Laden Sie den Akku auf oder schließen Sie das Gerät an ein Ladegerät an.
Das Gerät schaltet sich ein, erkennt jedoch kein Kältemittel.	Das Gerät hat den Aufwärmvorgang noch nicht beendet.	Warten Sie, bis der Aufwärmvorgang abgeschlossen ist. Das dauert 45 bis 90 Sekunden.
	Der Filter ist verstopft und beeinträchtigt den Luftstrom.	Erneuern Sie die Filterpatrone. Siehe Austausch der Filter [▶ 51].
	Die Pumpe ist ausgefallen.	Achten Sie auf das Pumpengeräusch. Wenn die Pumpe kein Geräusch macht und der Akku korrekt aufgeladen ist, wenden Sie sich bitte an INFICON.

Störung	Ursache	Abhilfe
	Die Empfindlichkeit ist zu niedrig eingestellt (nur im Lokalisierungsmodus).	Überprüfen Sie die Empfindlichkeitseinstellung. Für sehr kleine Lecks sollte die Einstellung High oder Super verwendet werden.
	Der falsche Sensor ist installiert.	Überprüfen Sie, ob der richtige Sensor verwendet wird (Kältemittelsensor oder CO ₂ -Sensor).
Das Gerät löst einen Alarm in Reinluft aus.	Der falsche Sensor ist installiert.	Vergewissern Sie sich, dass der Kältemittelsensor anstelle des CO ₂ -Sensors installiert ist.
Kein Pumpengeräusch.	Die Pumpe ist ausgefallen.	Wenn der Akku korrekt aufgeladen ist, wenden Sie sich bitte an INFICON.

17 Garantie und Haftungsbeschränkung

INFICON garantiert, dass Ihr Kältemittel-Lecksuchgerät D-TEK 3 für eine Dauer von einem oder zwei Jahren (je nach geografischer Region) ab dem Kaufdatum frei von Material- oder Verarbeitungsfehlern ist. INFICON übernimmt keine Garantie für Teile, die bei normaler Verwendung einem Verschleiß unterliegen, wie z.B. Batterien, Sensoren und Filter. Darüber hinaus übernimmt INFICON keine Garantie für unsachgemäße Behandlung, Fahrlässigkeit oder Unfälle sowie für Geräte, die von einer anderen Partei als INFICON repariert oder modifiziert wurden. Die Haftung von INFICON ist auf Geräte beschränkt, die spätestens dreißig (30) Tage nach Ablauf der Garantiefrist mit vorausbezahlten Transportgebühren an INFICON zurückgegeben werden und die nach Einschätzung von INFICON aufgrund von fehlerhaften Materialien oder Herstellungsfehlern nicht ordnungsgemäß funktionieren. Die Haftung von INFICON ist nach eigenem Ermessen auf die Reparatur oder den Ersatz des fehlerhaften Geräts oder Teils beschränkt. Diese Garantie gilt anstelle aller anderen ausdrücklichen oder stillschweigenden Garantien, einschließlich der MARKTGÄNGIGKEIT oder der EIGNUNG FÜR EINEN BESTIMMTEN ZWECK oder anderweitig. Alle derartigen Garantien werden ausdrücklich ausgeschlossen. INFICON übernimmt keine Haftung, die über den an INFICON für das Gerät bezahlten Kaufpreis plus vorausbezahlter Transportgebühren für die Rücksendung hinausgehen. INFICON übernimmt weiterhin keine Haftung für Folge- oder Nebenschäden. Alle derartigen Haftungen sind AUSGESCHLOSSEN.

1 Mises en garde et avertissements	60
2 Spécifications	61
3 D-TEK 3	63
4 Charge de la batterie.....	65
5 Allumer l'instrument et le préparer à l'utilisation.....	66
6 Mode Pinpoint (Directionnel)	66
7 Mode Manual Zero (Zéro Manuel)	67
8 Écouteurs et contrôle du volume	67
9 Dépose et installation de la batterie lithium-ion.....	68
10 Dépose et installation du capteur.....	69
11 Remplacement des filtres.....	70
12 Sonde extra-longue.....	71
13 Capteurs en option.....	72
14 Nettoyage et stockage	73
15 Pièces de rechange et accessoires	73
16 Guide de dépannage	74
17 Garantie et limites de responsabilité.....	75

1 Mises en garde et avertissements

Mises en garde :

- N'utilisez qu'un chargeur/cordon certifié avec une sortie de 5 V (cc) \pm 5 %, 1 A \pm 5 %.
- Gardez l'appareil hors des lieux à températures extrêmement élevées ou basses.
- N'exposez pas la batterie à des liquides.
- N'utilisez pas l'appareil si vous remarquez que la batterie est endommagée.
- Ne désassemblez ni modifiez la batterie.
- Manipulez et éliminez la batterie conformément à la réglementation locale.
- Si l'opération de charge ne se termine pas, même lorsque la durée de charge spécifiée s'est écoulée, interrompez immédiatement la recharge.
- Ne laissez pas la batterie sans surveillance pendant qu'elle se charge.
- Débranchez le chargeur une fois la batterie entièrement rechargée.
- Toute utilisation ou élimination incorrecte des batteries lithium-ion peut entraîner un incendie.
- Les environnements présentant un niveau élevé d'émissions de radiofréquences peuvent provoquer de fausses alarmes.



AVERTISSEMENT

Ce symbole avertit l'utilisateur de la présence d'instructions d'utilisation et de maintenance (entretien) importantes.



AVERTISSEMENT

L'exposition à des concentrations élevées de CO₂ ou de fluides frigorigènes est dangereuse, voire fatale.

L'appareil ne doit pas être utilisé dans un environnement toxique ou dangereux. Ce n'est pas un dispositif de protection individuelle, ni un matériel de sauvetage. Veillez à faire preuve d'une extrême prudence dans des environnements potentiellement toxiques ou dangereux.



⚠ AVERTISSEMENT

Ce produit est dépourvu de sécurité intrinsèque et ne doit pas être utilisé en présence de vapeurs explosives, de poussières explosives ou d'autres produits chimiques explosifs. Son utilisation dans un environnement avec une concentration de fluide frigorigène inflammable proche de la LIE (limite inférieure d'explosivité) peut provoquer une explosion ou un incendie entraînant des blessures graves, la mort ou des dégâts matériels.

2 Spécifications

Utilisation	intérieur/extérieur
Type de capteur	infrarouge
Fluides frigorigènes compatibles	
<ul style="list-style-type: none"> • Capteur de fluide frigorigène (standard, pièce de rechange 724-701-G1) 	Tous les CFC, HCFC, HFC, HFO, mélanges (y compris les A2L)
<ul style="list-style-type: none"> • Capteur de CO₂ (pièce de rechange 724-701-G2) 	R744 (dioxyde de carbone)
<ul style="list-style-type: none"> • Capteur de fluide frigorigène inflammable (HC) (Pièce de rechange 724-701-G3) 	R290, R600a, R441a (voir les consignes de sécurité)
Sensibilité (soumise à essai conformément à la norme EN 14624) ¹	
<ul style="list-style-type: none"> • R134a 	1 g/an (0,04 oz/an)
<ul style="list-style-type: none"> • R1234yf 	0,5 g/an (0,02 oz/an)
<ul style="list-style-type: none"> • R290 	5 g/an (0,2 oz/an)
<ul style="list-style-type: none"> • R744 (CO₂) 	2 g/an (0,07 oz/an)
<ul style="list-style-type: none"> • Ammoniac 	3 g/an (0,1 oz/an)
Type de batterie	lithium-ion
Type de connecteur de charge	micro USB
Durée de charge (à partir de 0 %)	environ 3 heures
Durée de vie des piles	environ 9 heures
Durée de vie du capteur	Jusqu'à 2 000 h
Tension d'entrée	5 V (cc) ± 5 %
Intensité d'entrée	1 A ± 5 %
Durée de préchauffage	45 à 90 secondes

Plages de température et humidité	
• Entreposage	-20 à 60 °C (-4 à 140 °F)
• En fonctionnement ²	-20 à 50 °C (-4 à 122 °F)
• Charge	0 à 45 °C (32 à 113 °F)
• Humidité	95 % HR max. sans condensation
Altitude	2 000 m (6 500 pi)
Niveau de pollution	2
Catégorie de surtension	2
Poids (avec batterie ; mais sans mallette ni accessoires)	0,44 kg (0,97 lb)

¹ Pour atteindre une performance optimale et les sensibilités spécifiées, il est recommandé de faire fonctionner l'D-TEK 3 pendant 15 minutes avant utilisation.

² L'utilisation à des températures inférieures à 0 °C (32 °F) doit être limitée. Une durée de préchauffage prolongée est recommandée avant une utilisation dans des environnements à basse température.

Table de spécifications conformément à EN 14624:2020

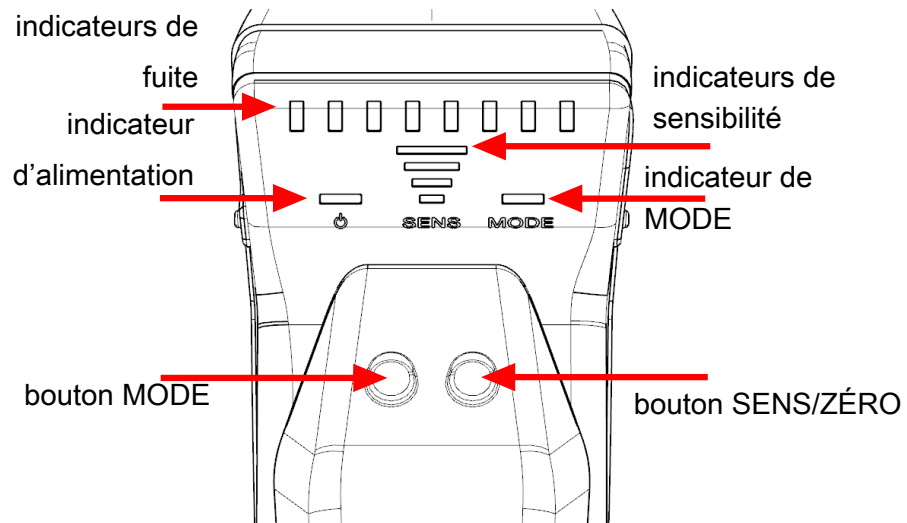
	R134a	R1234yf	R744 (CO ₂)	Ammoniac (R717)	R290
Sensibilité minimale, fixe (statique)	1 g/an	0,5 g/an	2 g/an	3 g/an	5 g/an
Sensibilité minimale, en mouvement (dynamique)	1 g/an	1 g/an	2 g/an	3 g/an	5 g/an
Temps de réponse/détection minimal	< 1 s	< 1 s	< 1 s	< 1 s	< 1 s
Temps de récupération pour une exposition de x g/an ³	7,6 s	6,4 s	13 s	4 s	4 s
Sensibilité minimale dans un environnement contaminé	> 2 g/an	1 g/an	> 4 g/an	3 g/an	7 g/an

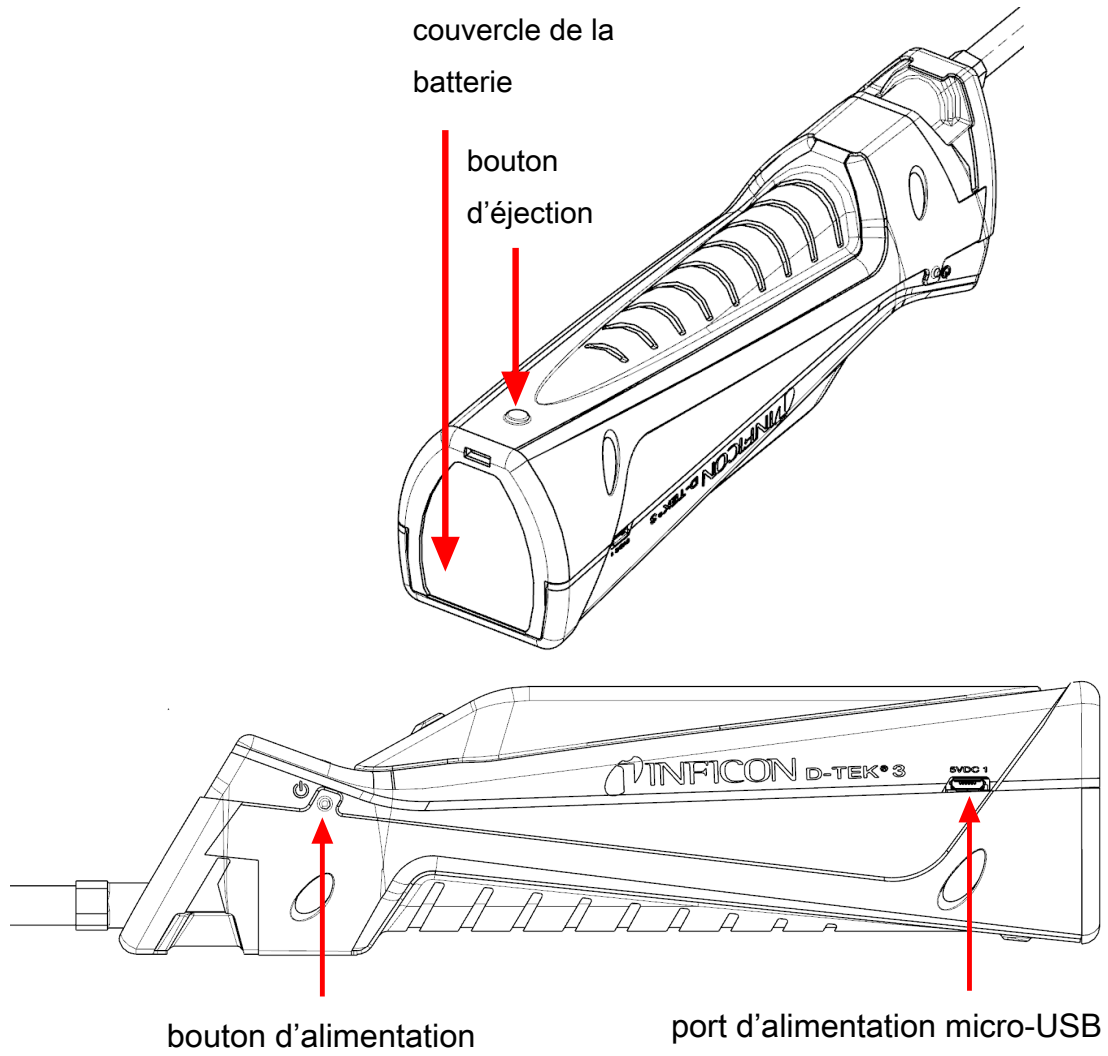
	R134a	R1234yf	R744 (CO ₂)	Ammonia c (R717)	R290
Fréquence d'étalonnage	Vérifiez annuellement avec le standard de fuite étalonné				

- ³x = R134a: 32 g/an
- R1234yf: 35 g/an
- R744: > 50 g/an
- R717: 35 g/an
- R290: 30 g/an

Brevets (en instance) Demande n° 10 2018 208 826.8

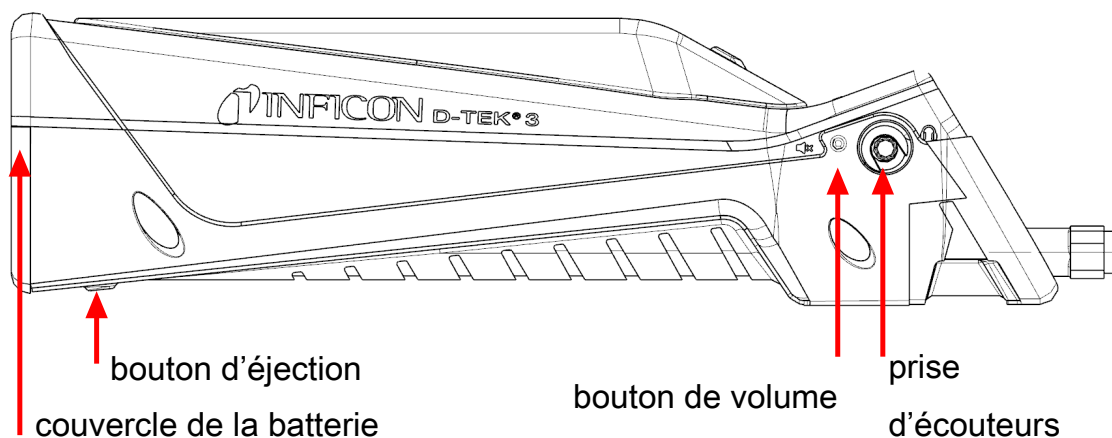
3 D-TEK 3





Français

Français



4 Charge de la batterie

L'D-TEK 3 utilise une batterie rechargeable au lithium-ion qui est livrée partiellement chargée. INFICON recommande de charger complètement la batterie avant de l'utiliser. À l'aide du chargeur fourni ou de la station de recharge, il est possible de charger une batterie vide jusqu'à 80 % en environ 2 heures et à 100 % en environ 3 heures. Une charge complète dure généralement environ 9 heures de fonctionnement, selon la température de fonctionnement. L'indicateur d'alimentation indique le pourcentage de charge restant.

Couleur	% de charge
Vert	>30 %
Orange	10–29%
Rouge	<10 %



L'D-TEK 3 peut être utilisé pendant son chargement.

5 Allumer l'instrument et le préparer à l'utilisation



Si l'écran ne s'allume pas, c'est que la batterie est faible et doit être rechargée. L'D-TEK 3 peut être utilisé pendant son chargement.

- 1 Appuyez de manière prolongée sur le bouton d'alimentation (situé du côté gauche du corps de l'instrument) pour **allumer** ou **éteindre** le D-TEK 3.
 - ⇒ L'D-TEK 3 entame un préchauffage de durée variable (entre 45 et 90 secondes). Une fois le préchauffage terminé, l'D-TEK 3 est prêt à être utilisé.
- 2 Pour passer d'un mode à l'autre, appuyez sur le bouton **MODE**. Ceci permet d'alterner entre les modes **Pinpoint** (Directionnel) et **Manual Zero** (Zéro manuel).



L'D-TEK 3 démarre toujours dans le dernier mode utilisé.

6 Mode Pinpoint (Directionnel)

- 1 Placez l'embout de l'D-TEK 3 aussi près que possible de la fuite suspectée (sans bloquer l'écoulement d'air).
- 2 Déplacez lentement la sonde devant chaque point de fuite possible.
 - ⇒ En cas de détection d'une fuite, l'D-TEK 3 émet une alarme et les indicateurs de fuite s'éclairent.
- 3 Lorsqu'une fuite est identifiée, éloignez la sonde de la fuite pendant quelques secondes et vérifiez à nouveau l'endroit en question.



En mode **Pinpoint**, l'D-TEK 3 met automatiquement à zéro le fluide frigorigène de fond et l'alarme ne se déclenche à nouveau que si la concentration de fluide frigorigène est plus élevée. Lorsque cela se produit, continuez de rechercher des concentrations plus élevées de fluide frigorigène ou déplacez la sonde vers une zone à plus faible concentration pendant quelques secondes afin de réinitialiser le point zéro.



Appuyez sur le bouton **SENS/ZERO** (sensibilité/zéro) pour modifier le réglage de la sensibilité. Lorsque vous travaillez sur une grande fuite, il peut être plus facile de détecter l'endroit de la fuite à l'aide d'un réglage de sensibilité plus faible. La sensibilité en cours est indiquée par l'indicateur de sensibilité (SENS).

7 Mode Manual Zero (Zéro Manuel)

Le mode **Manual Zero** (Zéro manuel) fonctionne de la même manière que le mode **Pinpoint** (Directionnel), mais il est signalé par le clignotement lent de l'indicateur **MODE**. Le mode **Manual Zero** (Zéro manuel) permet à l'utilisateur de mettre à zéro manuellement le fluide frigorigène de fond en appuyant sur le bouton **SENS/ZERO** (Sensibilité/zéro). Suite au réglage d'un nouveau point zéro, l'D-TEK 3 ne signale pas d'alarme tant qu'il ne détecte pas une concentration supérieure de fluide frigorigène.

Le mode **Manual Zero** (Zéro manuel) émet des bips plus rapides au point zéro que dans d'autres modes. Si la concentration est plus faible que le point zéro actuel, les bips ralentissent. L'écoute du changement de vitesse des bips permet à l'utilisateur de savoir s'il s'éloigne de la fuite.



Il n'y a pas de réglage de la sensibilité dans le mode **Manual Zero** (Zéro manuel).



Pour une performance optimale, le mode **Manual Zero** (Zéro manuel) nécessite un temps de préchauffage supplémentaire pouvant aller jusqu'à 15 minutes.

8 Écouteurs et contrôle du volume

Une prise jack située sur le côté droit de l'D-TEK 3 permet de brancher des écouteurs ou des casques pour écouter les signaux d'alarme.



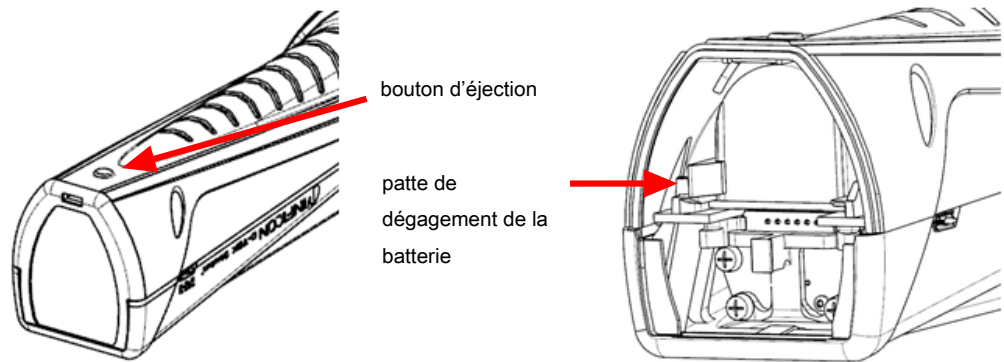
AVERTISSEMENT

Si vous essayez d'utiliser des écouteurs non fournis par INFICON, veuillez à bien les tester afin d'éviter d'endommager votre ouïe.

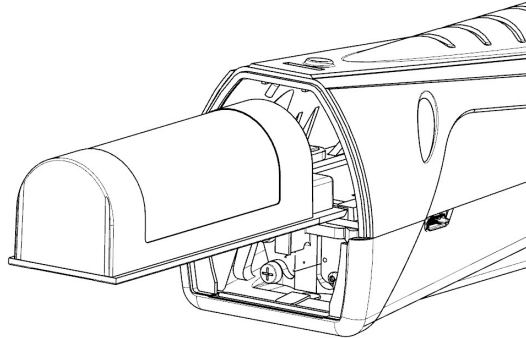
Un bouton de volume est situé à côté de la prise écouteurs. Appuyez sur le bouton de volume pour passer de 100 % de volume à 50 % de volume et enfin au mode de sourdine. Par défaut, le volume est de 100 % au démarrage. Lorsque l'on branche les écouteurs ou casques dans la prise, le volume passe du volume maximum au mode silencieux et inversement.

9 Dépose et installation de la batterie lithium-ion

- 1 Appuyez sur le bouton d'éjection à l'arrière du D-TEK 3 et enlevez le couvercle de la batterie.



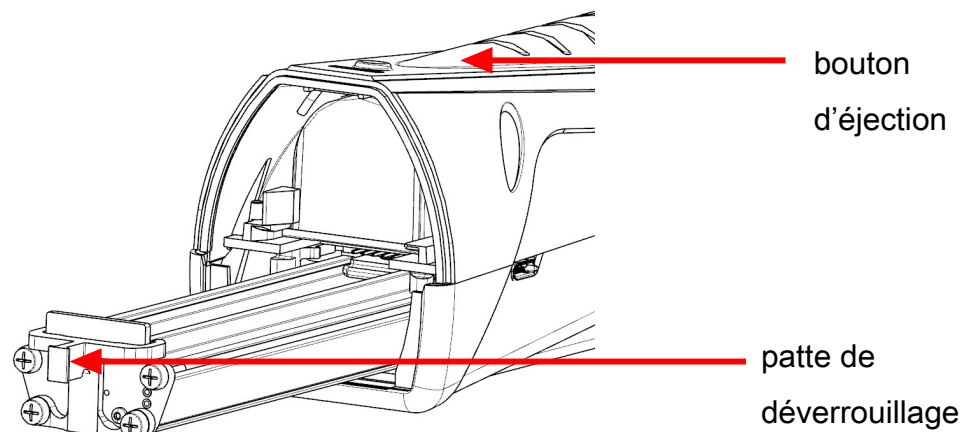
- 2 Retirez la batterie en poussant la languette de dégagement de la batterie, sur le côté, jusqu'à ce que la batterie commence à s'éjecter. Faites glisser la batterie pour la sortir.
- 3 Alignez la batterie sur les rails.



- 4 Poussez doucement la batterie sur les rails jusqu'à ce que la languette de dégagement de la batterie s'enclenche.
⇒ Ne forcez pas la batterie. Si la batterie ne glisse pas librement, vérifiez l'alignement et réessayez.
- 5 Réinstallez le couvercle de la batterie.

10 Dépose et installation du capteur

Le D-TEK 3 utilise un capteur de style cartouche qui peut être retiré et remplacé facilement et rapidement sur le terrain. En plus du capteur standard, INFICON offre un capteur spécifique de CO₂ pour une utilisation dans les applications de réfrigération et de climatisation. Voir Pièces de rechange et accessoires [► 73].

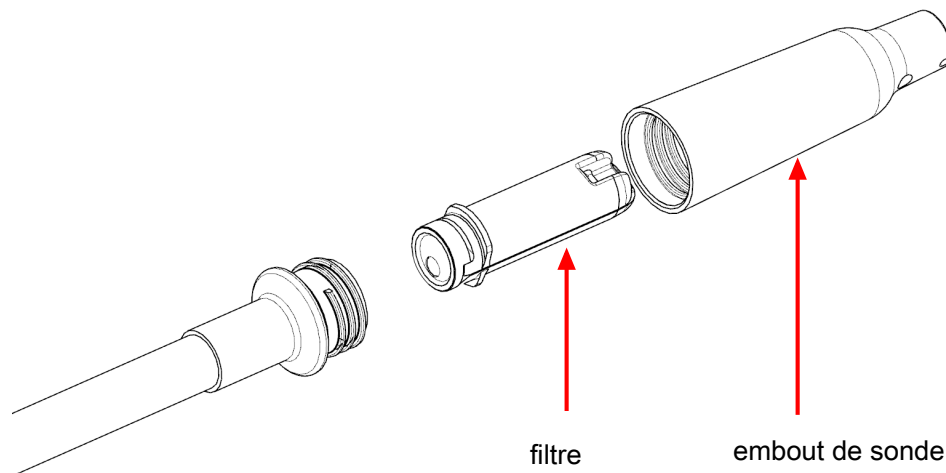


Pour remplacer le capteur :

- 1** Appuyez sur le bouton d'éjection à l'arrière du D-TEK 3 et enlevez le couvercle de la batterie.
- 2** Saisissez la languette de dégagement du capteur et tirez-le en douceur.
- 3** Alignez le nouveau capteur sur les rails.
- 4** Poussez en douceur le capteur sur les rails jusqu'à ce qu'il soit entièrement inséré.
 - ⇒ Ne forcez pas le capteur. S'il ne glisse pas librement, vérifiez l'alignement et réessayez.
- 5** Réinstallez le couvercle de la batterie.

11 Remplacement des filtres

Le D-TEK 3 utilise une cartouche de filtre hydrophobe qui laisse passer l'air et les fluides frigorigènes tout en filtrant l'eau, la poussière et l'huile. Examinez le tissu blanc pour déterminer si le filtre doit être remplacé. Si le tissu paraît décoloré, installez un nouveau filtre. Remplacer le filtre est également une méthode de dépannage facile si vous soupçonnez que le détecteur de fuite ne détecte pas correctement les fluides frigorigènes. Un filtre à air obstrué peut limiter la circulation de l'air d'échantillon.



Exposer le filtre à de l'eau ou à de l'huile peut bloquer la circulation de l'air. Si cela se produit, retirez le filtre avec la sonde dirigée vers le bas pour éviter que des contaminants ne se déposent sur la sonde, et installez un nouveau filtre. Si le filtre est humide, il peut être réutilisé une fois sec.



⚠ ATTENTION

N'utilisez jamais l'instrument sans un embout de sonde et un filtre.

Pour remplacer le filtre :

- 1 Dévissez l'embout de sonde et retirez le filtre.
- 2 Insérez le filtre neuf dans la sonde.
- 3 Vissez l'embout de sonde. Ne serrez pas excessivement.

12 Sonde extra-longue

La sonde extra-longue de rechange (disponible en option) peut être utilisée pour le contrôle de l'étanchéité dans les zones difficiles d'accès.

Pour installer la sonde extra-longue :

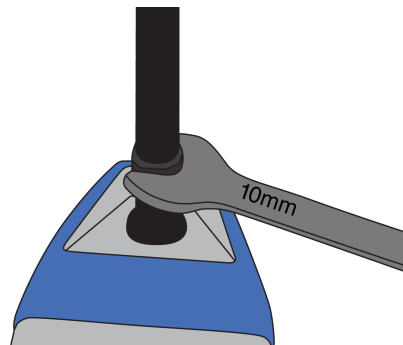
- 1 Dévissez la sonde standard du corps du D-TEK 3 à l'aide d'une clé de 10 mm.
- 2 Vissez la sonde extra-longue selon un couple de 4 Nm (35 in-lb). Ne serrez pas excessivement.
- 3 Dévissez l'embout de sonde de la sonde standard et retirez le filtre (ou utilisez un nouveau filtre).
- 4 Insérez le filtre dans la sonde extra-longue.
- 5 Vissez l'embout de sonde sur la sonde extra-longue. Ne serrez pas excessivement.



ATTENTION

Retirez toujours la sonde avec une clé de 10 mm à la base de la sonde.

Dévisser la sonde de toute autre manière que par la méthode spécifiée peut endommager la sonde.



13 Capteurs en option

Des capteurs sont proposés en option pour une utilisation dans les applications de détection de CO₂ (Pièce de rechange 724-701-G2) ou de fluide frigorigène inflammable (Pièce de rechange 724-701-G3). Pour l'utilisation du capteur de CO₂ ou du capteur de fluide frigorigène inflammable, déposez le capteur standard et installez le nouveau capteur conformément aux instructions indiquées au chapitre Dépose et installation du capteur [► 69]. Le D-TEK 3 reconnaît automatiquement le type de capteur et le témoin lumineux **MODE** s'éclaire dans la couleur correspondante au type de capteur pendant toute la durée où celui-ci demeure installé. Les couleurs affichées sont : Vert pour le CO₂, Rouge pour le fluide frigorigène inflammable et Orange pour le fluide frigorigène standard.



Si le D-TEK 3 ne reconnaît pas automatiquement votre capteur de fluide frigorigène inflammable, contactez INFICON pour convenir d'une mise à jour du logiciel.



Le capteur de fluide frigorigène inflammable ne détecte pas l'hydrogène, y compris le mélange hydrogène-azote.



Pendant la recherche de fuites de CO₂, il est recommandé de porter un appareil respiratoire isolant à circuit fermé ou un masque afin d'éviter l'exhalation de CO₂ sur la sonde.



AVERTISSEMENT

L'exposition à des concentrations élevées de CO₂ ou de fluides frigorigènes est dangereuse, voire fatale.

L'appareil ne doit pas être utilisé dans un environnement toxique ou dangereux. Ce n'est pas un dispositif de protection individuelle, ni un matériel de sauvetage. Veillez à faire preuve d'une extrême prudence dans des environnements potentiellement toxiques ou dangereux.



⚠ AVERTISSEMENT

Ce produit est dépourvu de sécurité intrinsèque et ne doit pas être utilisé en présence de vapeurs explosives, de poussières explosives ou d'autres produits chimiques explosifs. Son utilisation dans un environnement avec une concentration de fluide frigorigène inflammable proche de la LIE (limite inférieure d'explosivité) peut provoquer une explosion ou un incendie entraînant des blessures graves, la mort ou des dégâts matériels.

14 Nettoyage et stockage

Le D-TEK 3 peut-être nettoyé avec un détergent doux ou de l'alcool isopropylique. Des précautions doivent être prises pour empêcher l'introduction de liquide nettoyant dans l'instrument. Ne le nettoyez pas avec de l'essence, de l'acétone ou d'autres solvants agressifs étant donné qu'ils pourraient endommager le plastique ou l'écran.

15 Pièces de rechange et accessoires

Mallette de transport de rechange	721-700-G1
Écouteurs	721-607-G1
Chargeur de voiture 12 V (cc)	721-605-G1
Chargeur mural secteur CA (y compris des fiches pour plusieurs régions)	721-606-G1
Batterie lithium-ion	721-702-G1
Station de recharge de batterie	721-610-G1
Combinaison batterie/station de recharge	721-604-G1
Capteur standard (détecte les CFC, HCFC, HFC, HFO et les mélanges (notamment les A2L))	724-701-G1
Capteur de CO ₂	724-701-G2
Capteur de fluide frigorigène inflammable (HC)	724-701-G3
Cartouches de filtre (quantité : 5)	712-707-G1
Capuchon de sonde de rechange	712-705-G1
Rallonge de la sonde à aiguille	721-612-G1
Sonde extra-longue	721-611-G1
TEK-Check, fuite de test du R134a	703-080-G10

16 Guide de dépannage

Problème	Cause	Solution
L'indicateur d'alimentation clignote rapidement en rouge.	Une erreur de batterie s'est produite. Ceci peut être dû à une batterie défectueuse ou à une installation incorrecte de la batterie ou encore à une mauvaise connexion.	Retirez et réinstallez la batterie. Si le problème n'est pas résolu, remplacez la batterie. Voir Dépose et installation de la batterie lithium-ion [68].
	La batterie se situe au-dessus ou en dessous de la plage de température idéale, il se peut donc qu'elle ne se charge pas correctement.	Permettez à la batterie de revenir à sa température normale.
Tous les indicateurs de fuite clignotent.	Une erreur de capteur s'est produite. Ceci peut être dû à un capteur défectueux ou à une installation incorrecte du capteur ou encore à une mauvaise connexion.	Retirez et réinstallez le capteur. Si le problème n'est pas résolu, remplacez le capteur. Voir Dépose et installation du capteur [69].
Les indicateurs ne s'allument pas après avoir appuyé longuement sur le bouton d'alimentation.	Le niveau de batterie est très faible.	Chargez la batterie ou branchez l'unité dans un chargeur.
L'appareil s'allume, mais ne détecte aucun fluide frigorigène.	Le préchauffage de l'appareil n'est pas terminé.	Attendez que le préchauffage se termine. Cela peut prendre 45 à 90 secondes.
	Le filtre est obstrué, ce qui restreint la circulation d'air.	Remplacez la cartouche à filtre. Voir Remplacement des filtres [70].
	La pompe est défectueuse.	Écoutez le son de la pompe. Si la pompe ne fait pas de bruit et que la batterie est correctement chargée, contactez INFICON.

Problème	Cause	Solution
	Le réglage de la sensibilité est trop faible (mode Pinpoint uniquement).	Vérifiez le niveau de sensibilité. Pour les petites fuites, il faut utiliser High (Élevée) ou Super .
	Le capteur incorrect est installé.	Vérifiez que le capteur correct est utilisé (capteur de fluide frigorigène ou capteur de CO ₂).
L'alarme de l'unité se déclenche dans de l'air propre.	Le capteur incorrect est installé.	Vérifiez que le capteur de fluide frigorigène est installé plutôt que le capteur de CO ₂ .
La pompe ne fait aucun bruit.	La pompe est défectueuse.	Si la batterie est correctement chargée, contactez INFICON.

17 Garantie et limites de responsabilité

INFICON garantit l'absence de tout défaut matériel ou de fabrication de votre détecteur de fuites de fluide frigorigène D-TEK 3 pendant un ou deux ans (selon la région) à partir de la date d'achat. INFICON ne garantit pas les éléments qui se détériorent dans des conditions normales d'utilisation, tels que les piles, les capteurs et les filtres. De plus, INFICON ne garantit aucun instrument qui a fait l'objet d'une utilisation abusive, de négligence ou d'un accident, ou qui a été réparé ou modifié par toute autre entité qu'INFICON. La responsabilité d'INFICON se limite aux instruments retournés à INFICON, port prépayé, au plus tard trente (30) jours après l'expiration de la période de garantie, et jugés par INFICON comme ayant connu un dysfonctionnement en raison d'un défaut matériel ou de fabrication. La responsabilité d'INFICON est limitée, à sa convenance, à la réparation ou au remplacement de l'instrument ou de la pièce présentant un défaut. Cette garantie remplace toute autre garantie, expresse ou implicite, qu'elle soit de QUALITÉ MARCHANDE ou D'ADÉQUATION À UN USAGE PARTICULIER ou autre. Toutes les autres garanties similaires sont expressément rejetées. Les responsabilités d'INFICON se limitent au prix payé à INFICON pour l'instrument plus les frais de port de retour prépayés. INFICON refuse toute responsabilité en cas de dommages accidentels ou indirects. Toute responsabilité de ce type est EXCLUE.

1	Avvertenze e precauzioni	79
2	Specifiche	80
3	D-TEK 3	82
4	Ricarica della batteria	83
5	Accensione dello strumento e preparazione all'uso	84
6	Modalità Pinpoint	84
7	Modalità Manual Zero.....	85
8	Auricolari e controllo del volume	85
9	Rimozione e installazione della batteria agli ioni di litio	86
10	Rimozione e installazione del sensore.....	87
11	Sostituzione dei filtri	88
12	Sonda extra lunga	89
13	Sensori opzionali.....	90
14	Pulizia e conservazione	91
15	Parti di ricambio e accessori.....	91
16	Guida alla risoluzione dei problemi.....	92
17	Garanzia e limitazioni di responsabilità	93

1 Avvertenze e precauzioni

Avvertenze:

- Usare esclusivamente un caricatore/cavo certificato con una potenza pari a 5 V (cc) $\pm 5\%$, 1 A $\pm 5\%$.
- Tenere il dispositivo lontano da temperature estremamente alte o basse.
- Non esporre la batteria ai liquidi.
- Non usare il dispositivo se si notano danni alla batteria.
- Non smontare né modificare la batteria.
- Maneggiare e smaltire la batteria secondo le normative locali.
- Se l'operazione di ricarica non viene completata, anche se il tempo di ricarica specifico è trascorso, interrompere immediatamente la ricarica.
- Non lasciare la batteria incustodita durante la ricarica.
- Scollegare il caricatore quando la batteria è completamente carica.
- L'uso o lo smaltimento scorretto delle batterie agli ioni di litio può causare incendi.
- Ambienti ad alta RF possono causare un falso allarme.



ATTENZIONE

Questo simbolo richiama l'attenzione dell'utente sulla presenza di importanti istruzioni per il funzionamento e la manutenzione.



ATTENZIONE

L'esposizione ad alte concentrazioni di CO₂ o di refrigeranti è pericolosa e può essere potenzialmente mortale.

Lo strumento non è destinato all'uso in ambienti tossici o pericolosi. Non è uno strumento di protezione individuale o salvavita. Prestare sempre la massima attenzione negli ambienti potenzialmente tossici o pericolosi.



ATTENZIONE

Questo prodotto non è intrinsecamente sicuro e non deve essere utilizzato in presenza di fumi esplosivi, polvere esplosiva o altri prodotti chimici esplosivi. L'uso in un ambiente con concentrazione di refrigerante infiammabile che si avvicina al LEL (Lower Explosive Limit, in italiano limite inferiore di esplosività) potrebbe provocare un'esplosione o un incendio con conseguenti lesioni gravi, morte o danni materiali.

2 Specifiche

Utilizzo	interno/esterno
Tipo di sensore	infrarosso
Refrigeranti compatibili	
• Sensore di refrigerante (standard, PN 724-701-G1)	Tutti i CFC, HCFC, HFC, HFO, e miscele (inclusi A2L)
• Sensore di CO ₂ (PN 724-701-G2)	R744 (diossido di carbonio)
• Sensore di refrigerante infiammabile (HC) (PN 724-701-G3)	R290, R600a, R441a (vedere le avvertenze di sicurezza)
Sensibilità (testata in base alle norme EN14624) ¹	
• R134a	1 g/anno (0,04 once/anno)
• R1234yf	0,5 g/anno (0,02 once/anno)
• R290	5 g/anno (0,2 once/anno)
• R744 (CO ₂)	2 g/anno (0,07 once/anno)
• ammoniacca	3 g/anno (0,1 once/anno)
Tipo di batteria	ioni di litio
Tipo di carica in ingresso	micro USB
Tipo di carica (inizio allo 0%)	circa 3 ore
Durata della batteria	circa 9 ore
Durata del sensore	Fino a 2000 ore
Tensione di ingresso	5 V (cc) ±5%
Corrente di ingresso	1 A ±5%
Periodo di riscaldamento	45-90 sec
Intervalli di temperatura e umidità	
• Conservazione	-20-60°C (-4-140°F)
• Funzionamento ²	-20-50°C (-4-122°F)
• Carica	0-45°C (32-113°F)
• Umidità	95% RH NC massimo
Altitudine	2000 m (6500 piedi)
Grado di inquinamento	2
Categoria di sovratensione	2

Peso (con batteria; custodia o accessori non inclusi)	0,44 kg (0,97 libbre)
---	-----------------------

¹ Per ottenere prestazioni ottimali e le sensibilità specificate, si consiglia di lasciar operare D-TEK 3 per 15 minuti prima dell'uso.

² L'uso con temperature inferiori a 0°C (32°F) deve essere limitato. Si consiglia un tempo di riscaldamento prolungato prima dell'uso in ambienti con temperature ridotte.

Tabella delle specifiche ai sensi di EN 14624:2020

	R134a	R1234yf	R744 (CO ₂)	Ammonia ca (R717)	R290
Sensibilità minima, fissa (statica)	1 g/anno	0,5 g/anno	2 g/anno	3 g/anno	5 g/anno
Sensibilità minima, in movimento (dinamica)	1 g/anno	1 g/anno	2 g/anno	3 g/anno	5 g/anno
Tempo minimo di risposta/rilevamento	<1 s	<1 s	<1 s	<1 s	<1 s
Tempo di recupero per esposizione x g/anno ³	7,6 s	6,4 s	13 s	4 s	4 s
Sensibilità minima in un ambiente contaminato	>2 g/anno	1 g/anno	>4 g/anno	3 g/anno	7 g/anno
Frequenza di calibrazione	Verificare ogni anno in base allo standard sulla perdita calibrata				

³x = R134a: 32 g/anno

R1234yf: 35 g/anno

R744 >50 g/anno

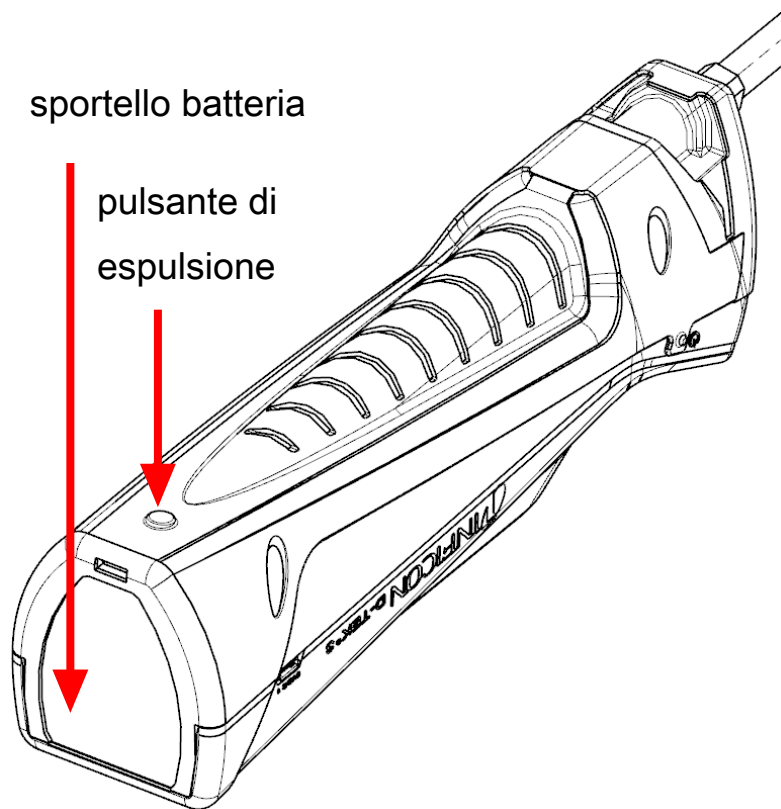
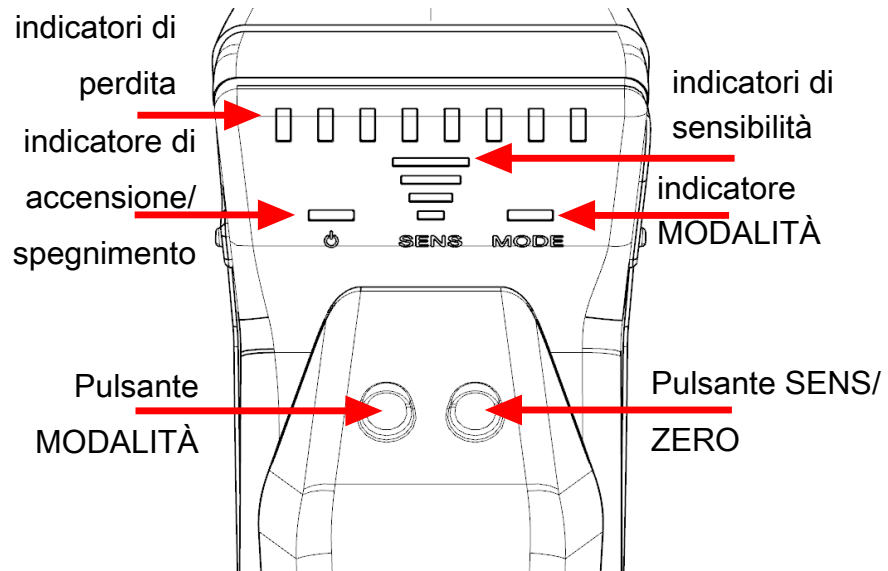
R717: 35 g/anno

R290: 30 g/anno

Brevetti (in attesa)

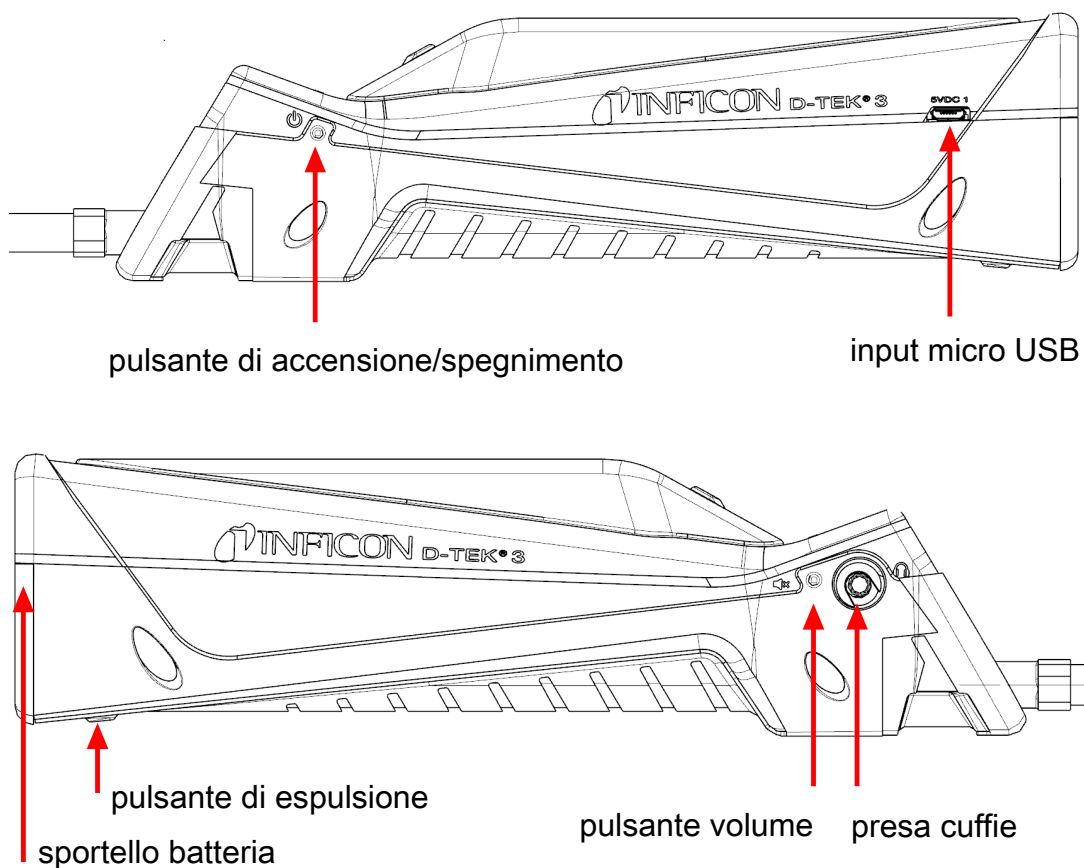
Richiesta n. 10 2018 208 826.8

3 D-TEK 3



Italiano

Italiano



4 Ricarica della batteria

D-TEK 3 utilizza una batteria ricaricabile agli ioni di litio che viene fornita parzialmente carica. INFICON consiglia di caricare la batteria prima dell'uso. Usando il caricatore o la base di ricarica forniti, una batteria scarica può essere ricaricata all'80% in circa 2 ore e al 100% in circa 3 ore. In genere una carica completa dura circa per 9 ore di funzionamento, a seconda della temperatura di esercizio. Un indicatore di accensione/spegnimento mostra la percentuale di batteria residua.

Colore	% carica
Verde	>30%
Arancione	10-29%
Rosso	<10%



D-TEK 3 può essere usato durante la carica.

5 Accensione dello strumento e preparazione all'uso



Se lo schermo non si accende, la batteria è scarica e deve essere caricata. D-TEK 3 può essere usato durante la carica.

- 1 Premere a lungo il pulsante di alimentazione (situato sul lato sinistro del corpo dello strumento) per D-TEK 3 **Accendere** o **Spegnere**.
 - ⇒ D-TEK 3 inizierà a riscaldarsi per un periodo di tempo variabile compreso tra 45 e 90 secondi. Quando il riscaldamento è completo, D-TEK 3 è pronto per l'uso.
- 2 Per cambiare modalità, premere il pulsante **MODALITÀ**. Quest'operazione permette di alternare tra le modalità **Pinpoint** e **Manual Zero**.



D-TEK 3 si accende sempre nell'ultima modalità utilizzata.

6 Modalità Pinpoint

- 1 Posizionare la punta dell'D-TEK 3 il più vicino possibile al punto in cui si sospetta la perdita (non bloccare il flusso dell'aria).
- 2 Spostare lentamente la sonda oltre ogni possibile punto della perdita.
 - ⇒ Se viene rilevata una perdita, l'D-TEK 3 emette un segnale acustico e gli indicatori di perdita lampeggiano.
- 3 Quando viene identificata una perdita, allontanare la sonda per alcuni secondi e poi ricontrollare il punto per verificare la presenza della perdita.



Nella modalità **Pinpoint**, D-TEK 3 si azzerava automaticamente alla concentrazione di refrigerante di fondo ed emette un segnale acustico solo con una concentrazione di refrigerante più elevata. Quando ciò si verifica, continuare a cercare una concentrazione più alta di refrigerante oppure spostare la sonda in un'area con concentrazione ridotta per qualche secondo per tornare al punto zero.



Premere il pulsante **SENS/ZERO** per cambiare l'impostazione della sensibilità. Quando si lavora con una perdita importante, può essere più semplice localizzare la posizione della perdita utilizzando un'impostazione della sensibilità inferiore. La sensibilità corrente è visualizzata dall'indicatore di sensibilità (SENS).

7 Modalità Manual Zero

La modalità **Manual Zero** opera analogamente alla modalità **Pinpoint**, ma è identificata mediante l'indicatore **MODE** (Modalità) che lampeggia lentamente. La modalità **Manual Zero** consente all'utente di azzerare manualmente al refrigerante di fondo premendo il pulsante **SENS/ZERO**. Una volta impostato il punto zero, D-TEK 3 non emetterà allarmi a meno che non rilevi una concentrazione più alta di refrigerante.

La modalità **Manual Zero** emette un segnale acustico al punto zero più rapido rispetto alle altre modalità. Se la concentrazione risulta ridotta rispetto al punto zero corrente, il segnale acustico rallenta. Ciò permette all'utente di sapere se si sta allontanando dalla perdita grazie alla variazione della velocità del segnale acustico.



Non vi è alcuna impostazione di sensibilità nella modalità **Manual Zero**.



La modalità **Manual Zero** richiede un tempo supplementare di riscaldamento fino a 15 minuti per ottenere prestazioni ottimali.

8 Auricolari e controllo del volume

Un'uscita per le cuffie è disponibile sul lato destro di D-TEK 3 per ascoltare gli allarmi acustici tramite cuffie o auricolari.



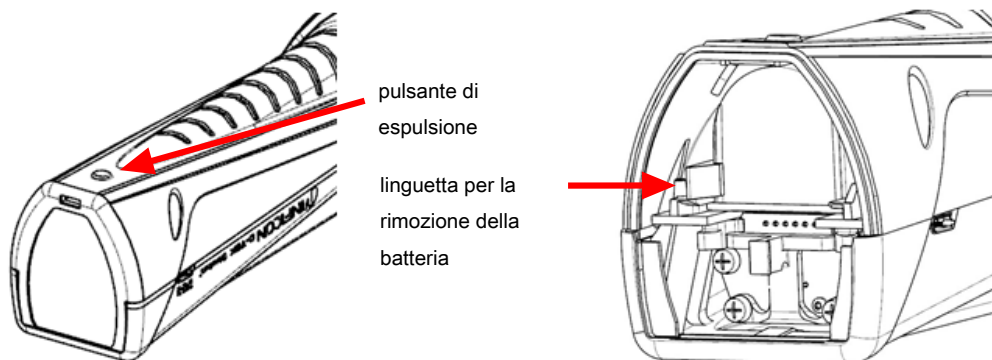
ATTENZIONE

Se si tenta di utilizzare cuffie non fornite da INFICON, testarle attentamente per evitare danni all'udito.

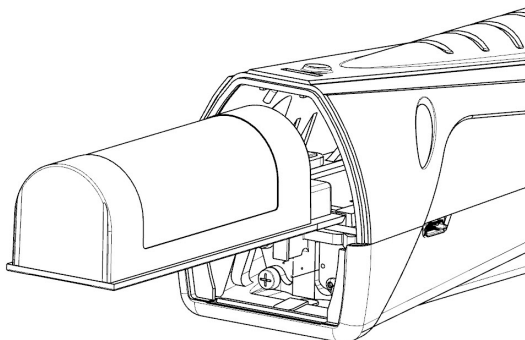
Un pulsante del volume è posizionato accanto alla presa delle cuffie. Premere il pulsante del volume per passare dal volume al 100% al volume al 50% e alla disattivazione del volume. All'avvio il volume è impostato in maniera predefinita sul 100%. Quando le cuffie o gli auricolari sono inseriti, il volume commuta tra il 100% del volume e lo stato di muto.

9 Rimozione e installazione della batteria agli ioni di litio

- 1 Premere il pulsante di espulsione sul retro del D-TEK 3 e rimuovere lo sportello della batteria.



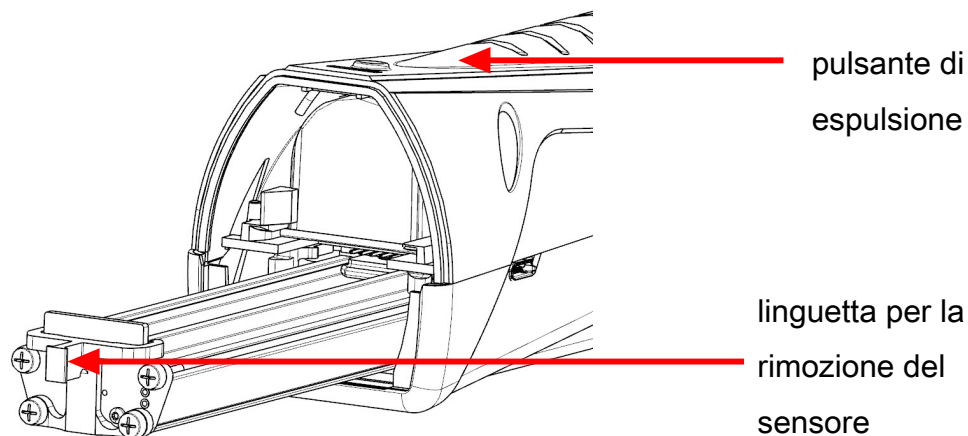
- 2 Rimuovere la batteria spostando la linguetta di rilascio della batteria sul lato finché la batteria non inizia a uscire. Far scorrere la batteria.
- 3 Allineare la batteria alle guide.



- 4 Spingere delicatamente la batteria lungo le guide finché la linguetta di rilascio della batteria non si aggancia.
⇒ Non forzare la batteria. Se la batteria non scorre liberamente, verificare il corretto allineamento e riprovare.
- 5 Reinstallare lo sportello del vano batterie.

10 Rimozione e installazione del sensore

Il D-TEK 3 utilizza un sensore a cartuccia che si può rimuovere e sostituire rapidamente e facilmente sul campo. Oltre al sensore standard, INFICON offre un sensore CO₂ specifico per l'uso nelle applicazioni di climatizzazione e refrigerazione. Si veda Parti di ricambio e accessori [► 91].

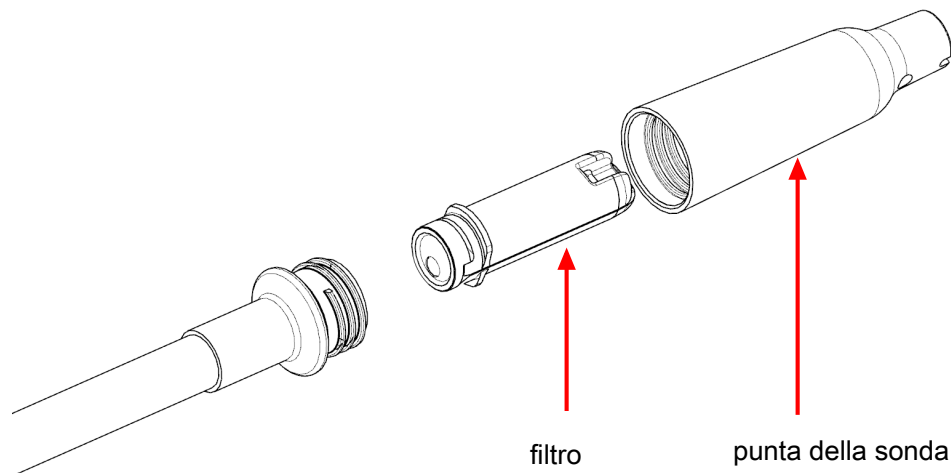


Per sostituire il sensore:

- 1** Premere il pulsante di espulsione sul retro del D-TEK 3 e rimuovere lo sportello della batteria.
- 2** Afferrare la linguetta per la rimozione del sensore ed estrarlo delicatamente.
- 3** Allineare il nuovo sensore alle guide.
- 4** Spingere delicatamente il sensore lungo le guide finché non risulta completamente inserito.
 - ⇒ Non forzare il sensore. Se non scorre liberamente, verificare il corretto allineamento e riprovare.
- 5** Reinstallare lo sportello del vano batterie.

11 Sostituzione dei filtri

Il D-TEK 3 utilizza una cartuccia filtro di tipo idrofobico che consente il passaggio di aria e refrigeranti filtrando acqua, sporcizia e olio. Esaminare il panno bianco per determinare se il filtro richiede la sostituzione. Se il panno risulta scolorito, installare un nuovo filtro. La sostituzione del filtro è anche un semplice passaggio per la risoluzione dei problemi se si sospetta che il rilevatore di perdite non rilevi correttamente i refrigeranti. Un filtro dell'aria ostruito può limitare il flusso dell'aria del campione.



L'esposizione del filtro ad acqua o olio può bloccare il flusso d'aria. Se ciò accade, rimuovere il filtro con la sonda rivolta verso il basso per evitare di far entrare i contaminanti nella sonda e installare un nuovo filtro. Se il filtro è bagnato, può essere riutilizzato una volta asciutto.



⚠ PRUDENZA

Mai usare lo strumento senza filtro e copri filtro sulla punta della sonda.

Per sostituire il filtro:

- 1 Svitare la punta della sonda e rimuovere il filtro.
- 2 Inserire il nuovo filtro nella sonda.
- 3 Avvitare la punta della sonda. Non serrare eccessivamente.

12 Sonda extra lunga

La sonda extra-lunga opzionale di ricambio può essere utilizzata per rilevare le perdite in zone difficili da raggiungere.

Per installare la sonda extra lunga:

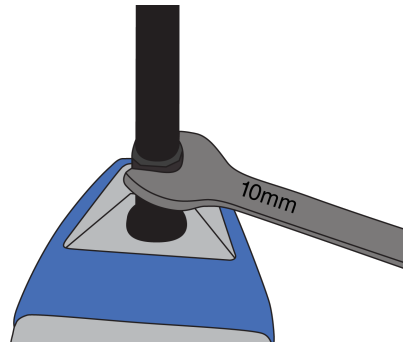
- 1 Svitare la sonda di serie dal corpo del D-TEK 3 mediante chiave da 10 mm.
- 2 Avvitare la sonda extra lunga a circa 35 pollici-libbre (4 N·m). Non serrare eccessivamente.
- 3 Svitare la punta della sonda dalla sonda standard e rimuovere il filtro (oppure utilizzarne uno nuovo).
- 4 Inserire il filtro nella sonda extra lunga.
- 5 Avvitare la punta della sonda alla sonda extra lunga. Non serrare eccessivamente.



PRUDENZA

Smontare la sonda applicando sempre la chiave da 10 mm alla base di essa.

Svitare la sonda in modi diversi da quello prescritto può causarne il danneggiamento.



13 Sensori opzionali

I sensori opzionali sono disponibili per l'uso nelle applicazioni con CO₂ (PN 724-701-G2) o con refrigerante infiammabile (PN 724-701-G3). Per utilizzare il sensore di CO₂ o di refrigerante infiammabile, rimuovere il sensore standard e installare il nuovo sensore seguendo le istruzioni riportate in Rimozione e installazione del sensore [▶ 87]. D-TEK 3 riconosce automaticamente il tipo di sensore e l'indicatore **MODE** (Modalità) si illumina del colore appropriato ad indicare il tipo di sensore e il tempo totale dall'installazione del sensore. Il colore verde indica la CO₂, il colore rosso indica il refrigerante infiammabile e il colore arancione indica che il sensore del refrigerante standard è installato.



Se D-TEK 3 non riconosce automaticamente il sensore di refrigerante dell'utente, contattare INFICON per predisporre un aggiornamento software.



Il sensore del refrigerante infiammabile non rileva l'idrogeno, incluso il gas tracciante con idrogeno.



Durante la ricerca di perdite di CO₂, si raccomanda di indossare un respiratore o una maschera onde evitare di espirare CO₂ verso la sonda.



ATTENZIONE

L'esposizione ad alte concentrazioni di CO₂ o di refrigeranti è pericolosa e può essere potenzialmente mortale.

Lo strumento non è destinato all'uso in ambienti tossici o pericolosi. Non è uno strumento di protezione individuale o salvavita. Prestare sempre la massima attenzione negli ambienti potenzialmente tossici o pericolosi.



ATTENZIONE

Questo prodotto non è intrinsecamente sicuro e non deve essere utilizzato in presenza di fumi esplosivi, polvere esplosiva o altri prodotti chimici esplosivi. L'uso in un ambiente con concentrazione di refrigerante infiammabile che si avvicina al LEL (Lower Explosive Limit, in italiano limite inferiore di esplosività) potrebbe provocare un'esplosione o un incendio con conseguenti lesioni gravi, morte o danni materiali.

14 Pulizia e conservazione

Il D-TEK 3 può essere pulito con detergente delicato o alcool isopropilico. Fare attenzione affinché il detergente non penetri nello strumento. Non pulire con benzina, acetone o altri solventi aggressivi poiché potrebbero danneggiare la plastica o il display.

15 Parti di ricambio e accessori

custodia di trasporto di ricambio	721-700-G1
Auricolari	721-607-G1
Caricatore da auto 12 V (cc)	721-605-G1
Caricatore da parete CA (incluse prese per diverse regioni)	721-606-G1
Batteria agli ioni di litio	721-702-G1
Base di ricarica per batteria	721-610-G1
Combinazione batteria/base di ricarica	721-604-G1
sensore standard (rileva CFC, HCFC, HFC, HFO e miscele (tra cui A2L))	724-701-G1
Sensore CO ₂	724-701-G2
Sensore di refrigerante infiammabile (HC)	724-701-G3
Cartucce del filtro (quantità 5)	712-707-G1
Copri sonda di ricambio	712-705-G1
prolunga della sonda ad ago	721-612-G1
Sonda extra lunga	721-611-G1
Prova di tenuta TEK-Check R134a	703-080-G10

16 Guida alla risoluzione dei problemi

Problema	Causa	Soluzione
L'indicatore di accensione/ spegnimento lampeggia rapidamente di colore rosso.	Si è verificato un errore della batteria. Può essere causato da una batteria guasta o da una batteria installata o collegata in modo errato.	Rimuovere e reinstallare la batteria. Se il problema non viene risolto, sostituire la batteria. Vedere Rimozione e installazione della batteria agli ioni di litio [▶ 86].
	La batteria è sopra o sotto l'intervallo di temperatura ideale e potrebbe non caricarsi correttamente.	Lasciare che la batteria torni alla temperatura normale.
Tutti gli indicatori di perdita lampeggiano.	Si è verificato un errore del sensore. Può essere causato da un sensore guasto o da un sensore installato o collegato in modo errato.	Rimuovere e reinstallare il sensore. Se il problema non viene risolto, sostituire il sensore. Vedere Rimozione e installazione del sensore [▶ 87].
Gli indicatori non si accendono dopo aver premuto a lungo il pulsante di accensione.	La batteria è quasi scarica.	Caricare la batteria o collegare l'unità a un caricatore.
L'unità si accende ma non rileva il refrigerante.	L'unità non ha completato il riscaldamento.	Attendere la fine del riscaldamento. Ci vorranno 45-90 secondi.
	Il filtro è ostruito e limita il flusso d'aria.	Sostituire la cartuccia del filtro. Vedere Sostituzione dei filtri [▶ 88].
	La pompa ha registrato un errore.	Ascoltare il suono della pompa. Se la pompa non emette suoni e la batteria è carica, contattare INFICON.
	La sensibilità è impostata su un valore troppo basso (solo modalità Pinpoint).	Verificare il livello di sensibilità. Per perdite molto piccole, usare Alta o Super .
	È stato installato il sensore sbagliato.	Verificare che sia utilizzato il sensore corretto (sensore refrigerante o sensore CO ₂).

Problema	Causa	Soluzione
L'unità emette un suono acustico quando si trova nell'aria pulita.	È stato installato il sensore sbagliato.	Verificare che il sensore del refrigerante sia installato al posto del sensore CO ₂ .
La pompa non emette suoni.	La pompa ha registrato un errore.	Se la batteria è stata correttamente caricata, contattare INFICON.

17 Garanzia e limitazioni di responsabilità

INFICON garantisce che il rilevatore di perdite di refrigerante D-TEK 3 è esente da difetti di materiale o lavorazione per uno oppure due anni (a seconda della regione) dalla data di acquisto. INFICON non garantisce articoli che si deteriorano durante il normale utilizzo, comprese batterie, sensori e filtri. Inoltre, INFICON non garantisce alcuno strumento che sia stato sottoposto a uso improprio, negligenza o incidente, o che sia stato riparato o alterato da parte di soggetti diversi da INFICON. La responsabilità di INFICON è limitata agli strumenti restituiti a INFICON con trasporto prepagato, non oltre trenta (30) giorni dopo la scadenza del periodo di garanzia e che INFICON giudica non funzionanti a causa di materiali o lavorazione difettosi. La responsabilità di INFICON è limitata, a sua discrezione, alla riparazione o alla sostituzione dello strumento o della parte difettosa. Questa garanzia sostituisce tutte le altre garanzie, espresse o implicite, sia di COMMERCIALIZZABILITÀ che di IDONEITÀ PER UN PARTICOLARE SCOPO o altro. Tutte queste altre garanzie sono espressamente escluse. INFICON non avrà alcuna responsabilità in eccesso rispetto al prezzo pagato a INFICON per lo strumento più le spese per il trasporto di restituzione prepagate. INFICON non avrà alcuna responsabilità per eventuali danni incidentali o consequenziali. Tutte queste responsabilità sono ESCLUSE.

1 注意事项和警告	97
2 技术规格	98
3 D-TEK 3	100
4 给电池充电	101
5 打开仪器，以备使用	102
6 精确定位模式	102
7 手动归零模式	103
8 耳塞和音量控制	103
9 移除并安装锂离子电池	104
10 移除并安装传感器	105
11 更换过滤器	106
12 超长探针	107
13 可选传感器	108
14 清洁和存储	109
15 备件和附件	109
16 故障排除指南	110
17 保修范围及责任	111

1 注意事项和警告

注意事项：

- 仅允许使用输出电压为 5 V (dc) \pm 5%、输出电流为 1 A \pm 5% 的官方认证充电器/充电线。
- 请勿将设备放置在极端高温或低温的地方。
- 请勿将电池暴露于液体中。
- 若发现电池有任何损坏，请勿使用该设备。
- 请勿拆卸或改装电池。
- 根据当地法规处理和处置电池。
- 若未能完成再充电操作，即使指定再充电时间已过，也应立即停止继续充电。
- 充电时，请勿让电池处于无人看管状态。
- 电池充满后，请拔掉充电器。
- 若不当使用或处置锂电池，可能会引起火灾。
- 高射频环境可能会引起误报警。



警告

该符号用于提醒用户需要遵循重要操作和维护 (维修) 说明。



警告

暴露在高浓度的 CO₂ 或冷媒下非常危险，可能危及生命。

本仪器不得用于有毒或危险环境。其并非个人防护设备或救生设备。在潜在毒性或危险的环境中使用，始终要格外小心。



警告

本产品不是本质安全型产品，不应在存在爆炸性气体、爆炸性粉尘或其他爆炸性化学品的情况下使用。在可燃性冷媒浓度接近 LEL (爆炸下限值) 的环境中使用可能引起爆炸或火灾，从而造成严重伤害、死亡或财产损失。

2 技术规格

使用场合	室内/室外
传感器类型	红外线
兼容冷媒	
· 冷媒传感器 (符合 PN 724-701-G1 标准)	所有 CFC、HCFC、HFC、HFO 和混合物 (包括 A2L)
· CO ₂ 传感器 (PN 724-701-G2)	R744 (二氧化碳)
· 可燃冷媒 (HC) 传感器 (PN 724-701-G3)	R290、R600a、R441a (参见安全警告)
灵敏度 (根据 EN14624 标准测试) ¹	
· R134a	1 g/a (0.04 oz/yr)
· R1234yf	0.5 g/a (0.02 oz/yr)
· R290	5 g/a (0.2 oz/yr)
· R744 (CO ₂)	2 g/a (0.07 oz/yr)
· 氨气	3 g/a (0.1 oz/yr)
电池类型	锂离子
充电输入类型	微型 USB
充电时间 (从 0% 开始)	约 3 小时
电池寿命	约 9 小时
传感器使用寿命	长达 2000 小时
输入电压	5 V (dc) ±5%
输入电流	1 A ±5%
预热时间	45 至 90 秒
温度范围和湿度	
· 储存时	-20 至 60 °C (-4 至 140 °F)
· 工作时 ²	-20 至 50 °C (-4 至 122 °F)
· 充电时	0 至 45 °C (32 至 113 °F)
· 湿度	最大 95% RH (无凝露)
高度	2000 m (6500 ft)
污染等级	2

过电压类别	2
重量 (带电池，不包括外壳或附件)	0.44 kg (0.97 lb.)

¹ 为达到最佳性能和设计灵敏度，建议先使 D-TEK 3 运行 15 分钟，然后再使用。

² 温度低于 0 °C (32 °F) 时，应限制使用。在低温环境下使用前，建议延长预热时间。

基于 EN 14624:2020 标准的技术规格表

	R134a	R1234yf	R744 (CO ₂)	氨气 (R717)	R290
最低灵敏度，固定 (静态)	1 g/a	0.5 g/a	2 g/a	3 g/a	5 g/a
最低灵敏度，移动 (动态)	1 g/a	1 g/a	2 g/a	3 g/a	5 g/a
最小响应/检测时间	<1 秒	<1 秒	<1 秒	<1 秒	<1 秒
恢复时间 (x g/a 泄漏率) ⁴	7.6 秒	6.4 秒	13 秒	4 秒	4 秒
污染环境中的最低灵敏度	>2 g/a	1 g/a	>4 g/a	3 g/a	7 g/a
校准频率	每年根据校准漏孔标准进行检查				

³x = R134a: 32 g/a

R1234yf: 35 g/a

R744: >50 g/a

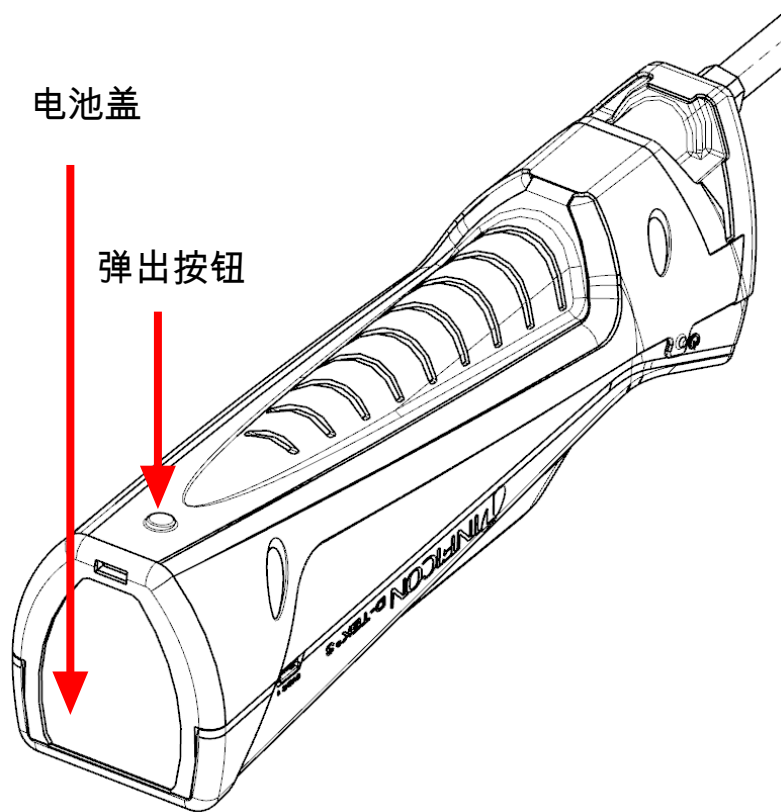
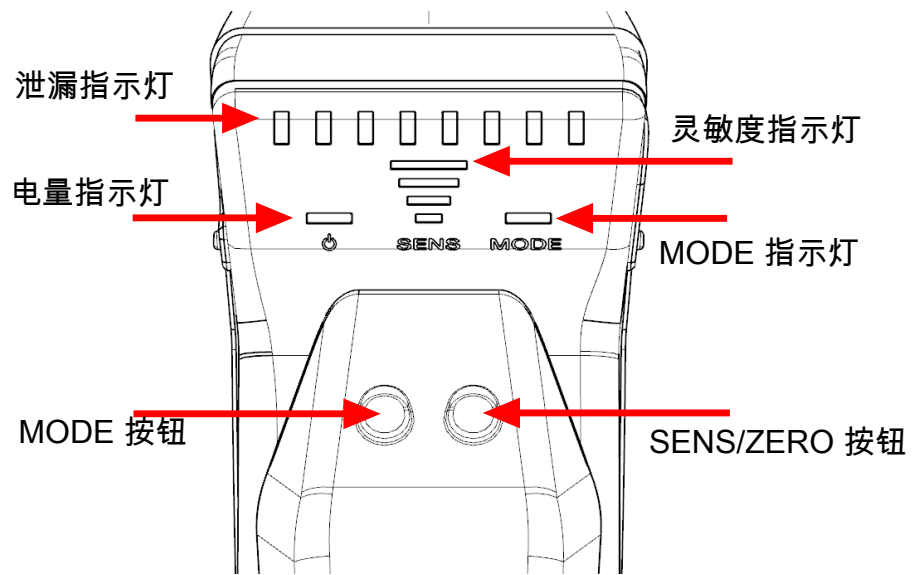
R717: 35 g/a

R290: 30 g/a

专利 (申请中)

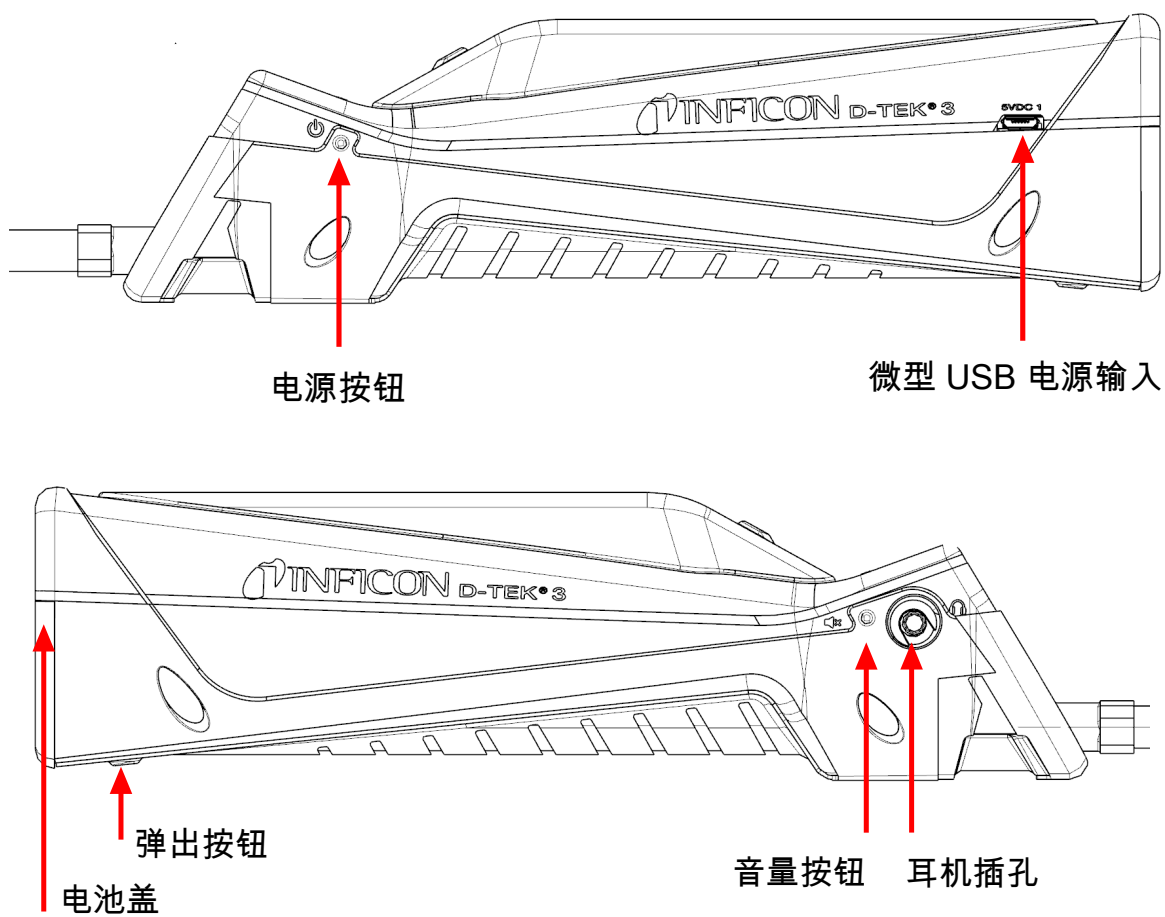
应用 #10 2018 208 826.8

3 D-TEK 3



中文

中文



4 给电池充电

D-TEK 3 出厂时自带已部分充电的锂离子充电电池。INFICON 建议在使用前给电池充电。使用随附充电器或充电座附件为电量耗尽的电池充电时，充至 80% 电量需要约 2 小时，完全充满则需要约 3 小时。充满电后通常可持续工作约 9 小时，具体取决于工作温度。电量指示灯会指示电池剩余电量百分比。

颜色	电量百分比
绿色	>30%
橙色	10-29%
红色	<10%



D-TEK 3 可以边充电边使用。

5 打开仪器，以备使用



若无屏显画面，则表示电池电量不足，需要充电。D-TEK 3 可以边充电边使用。

- 1 长按电源按钮 (位于机身左侧) 可开启或关闭 D-TEK 3。
 - ⇒ D-TEK 3 开始预热，预计持续 45 至 90 秒时间。预热完成后，D-TEK 3 即可使用。
- 2 如需切换模式，按下 **MODE** 按钮。由此可在**精确定位**与**手动归零**模式之间切换。



D-TEK 3 始终以上次使用的模式启动。

6 精确定位模式

- 1 将 D-TEK 3 的探头针尽量靠近疑似泄漏位置(但不要堵塞气流)。
- 2 缓慢移动探棒，确保经过每一处疑似漏点。
 - ⇒ 一旦检测到漏点，D-TEK 3 发出报警声且泄漏指示灯亮起。
- 3 确定泄漏点后，将探针从泄漏点移开数秒，然后再重新检查现场，以确认泄漏点。



在**精确定位**模式下，D-TEK 3 自动归零至本底冷媒浓度，只有冷媒浓度更高时，才会再次发出警报。若发生这种情况，则请继续寻找浓度较高的冷媒，或者将探针移到浓度较低的区域数秒钟，以重置零点。



按下 **SENS/ZERO** 按钮切换灵敏度设置。处理较大泄漏时，使用较低的灵敏度设置可以更容易地精确定位泄漏点。当前灵敏度通过灵敏度 (SENS) 指示灯显示。

7 手动归零模式

手动归零模式的操作与**精确定位**模式的操作类似，但可通过 **MODE** 指示灯是否缓慢闪烁来识别。**手动归零**模式允许用户通过按下 **SENS/ZERO** 按钮手动归零至本底冷媒。完成新零点设置后，D-TEK 3 将不再发出警报，除非检测到更高的冷媒浓度。

手动归零模式在零点发出蜂鸣的速度比其他模式更快。若其浓度低于当前零点浓度，则会减缓发出蜂鸣的频率。这样一来，用户即可通过监听蜂鸣频率的变化来确定其与泄漏点的距离。



手动归零模式没有灵敏度设置。



为了达到最佳性能，**手动归零**模式需要长达 15 分钟的额外预热时间。

8 耳塞和音量控制

耳机插孔位于 D-TEK 3 右侧，供用户连接耳机或耳塞收听报警声。



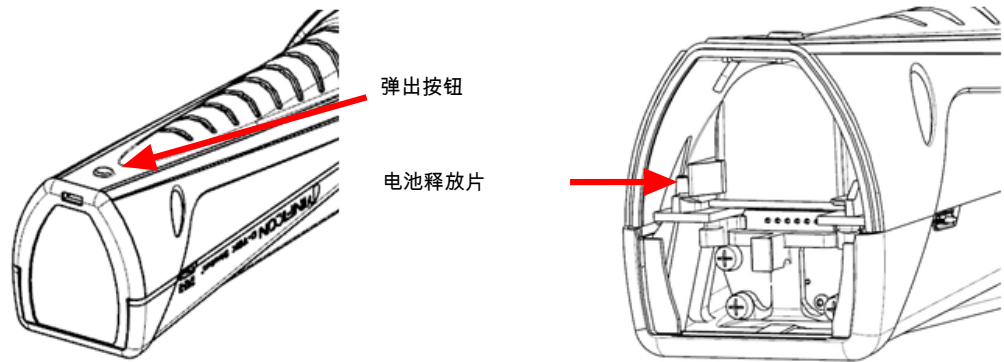
警告

如果试图使用非 INFICON 提供的耳机，请务必小心测试，以免听力损伤。

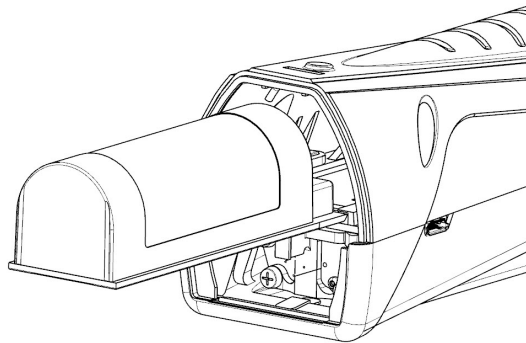
音量按钮位于耳机插孔的旁边。按下音量按钮，可从 100% 音量切换到 50% 音量，再到静音。启动时，音量默认为 100%。将耳机或耳塞插入后，可在 100% 音量和静音之间调节音量。

9 移除并安装锂离子电池

- 1 按下 D-TEK 3 背面的弹出按钮并移除电池盖。



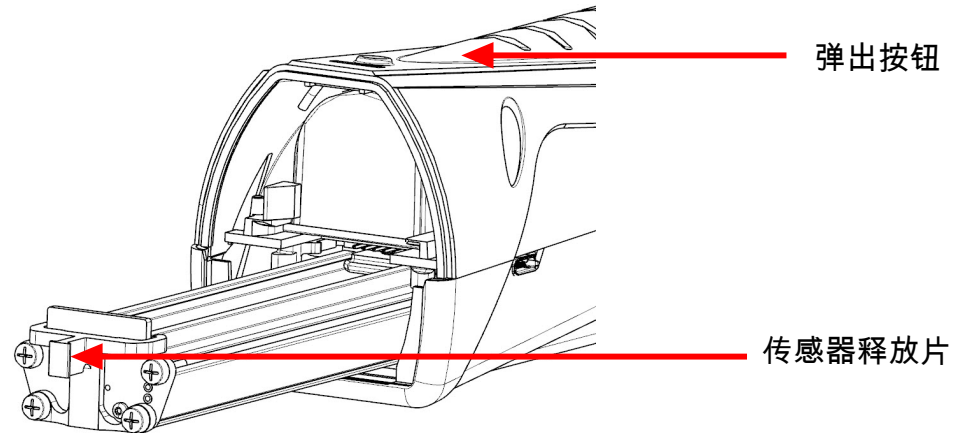
- 2 将电池释放片移动到一边直至电池弹出，然后移除电池。滑出电池。
- 3 将电池与轨道对齐。



- 4 沿着轨道轻轻推动电池，直至电池释放片接合。
⇒ 请勿用蛮力推动电池。若电池无法自由滑动，检查对齐情况并重试。
- 5 重新安装电池盖。

10 移除并安装传感器

D-TEK 3 使用的是墨盒式传感器，可快速轻松地现场进行移除和更换。除了标准传感器之外，INFICON 还提供了适用于冷冻冷媒和空调应用的 CO₂ 特定传感器。请参见 备件和附件 [▶ 109]。

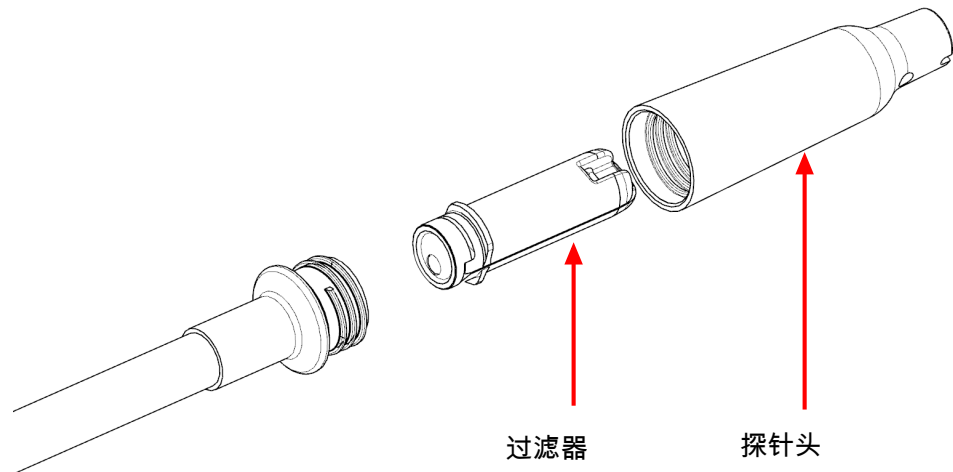


要更换传感器:

- 1 按下 D-TEK 3 背面的弹出按钮并移除电池盖。
- 2 抓住传感器释放片并轻轻将其拉出。
- 3 将新的传感器与轨道对齐。
- 4 沿着轨道轻轻推动传感器，直至其完全插入。
⇒ 请勿用蛮力推动传感器。若其无法自由滑动，检查对齐情况并重试。
- 5 重新安装电池盖。

11 更换过滤器

D-TEK 3 使用的是疏水滤芯，可允许空气和冷媒通过，同时滤出水、污垢和油脂等。检查白布，确定是否需要更换过滤器。若白布变色，则请安装新的过滤器。若您怀疑检漏仪无法正确检测冷媒，最简单的故障排除措施便是更换过滤器。堵塞的空气过滤器会限制样品的气流。



将过滤器暴露于水或油脂中会阻塞气流。若出现这种情况，将探针朝下并移除过滤器，以避免探针内受到污染，并安装新的过滤器。若过滤器是湿的，则可在其干燥后重复使用。



⚠ 小心

请勿使用没有配备探针头和过滤器的仪器。

要更换过滤器：

- 1 拧下探针头并移除过滤器。
- 2 将新的过滤器插入探针。
- 3 拧紧探针头。不要过紧。

12 超长探针

可选超长备用探棒，适合在操作困难的区域进行泄漏检测。

要安装超长探针：

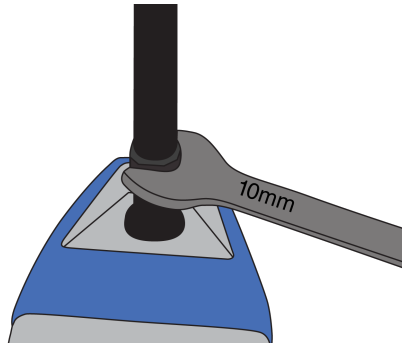
- 1 使用 10 mm 扳手从 D-TEK 3 主体上拧下标准探棒。
- 2 拧紧超长探针至大约 35 英寸磅（4 牛米）。不要过紧。
- 3 从标准探针上拧下探针头并移除过滤器（或使用新的过滤器）。
- 4 将过滤器插入超长探针。
- 5 将探针头拧至超长探针上。不要过紧。



⚠ 小心

始终使用 10 mm 扳手从底部拆卸探棒。

必须按照规定方法拧下探棒，否则可能导致探棒损坏。



13 可选传感器

可选传感器可用于 CO₂ (PN 724-701-G2) 或可燃性冷媒 (PN 724-701-G3) 应用。如要使用 CO₂ 或可燃性冷媒传感器，请拆下标准传感器，然后按照移除并安装传感器 [▶ 105] 中的说明安装新传感器。D-TEK 3 自动识别传感器类型，**模式**指示灯亮起正确的颜色，在安装传感器后的整个时间段内指明传感器类型。绿色指示安装的是 CO₂ 传感器，红色指示可燃性冷媒传感器，橙色指示标准冷媒传感器。



如果 D-TEK 3 未能自动识别可燃性冷媒传感器，请联系 INFICON 安排软件更新。



可燃性冷媒传感器无法检测氢，包括氢合成气体。



寻找 CO₂ 漏点时，建议戴上呼吸器或口罩，以避免向探棒呼出 CO₂。



警告

暴露在高浓度的 CO₂ 或冷媒下非常危险，可能危及生命。

本仪器不得用于有毒或危险环境。其并非个人防护设备或救生设备。在潜在毒性或危险的环境中使用时，始终要格外小心。



警告

本产品不是本质安全型产品，不应在存在爆炸性气体、爆炸性粉尘或其他爆炸性化学品的情况下使用。在可燃性冷媒浓度接近 LEL (爆炸下限值) 的环境中使用可能引起爆炸或火灾，从而造成严重伤害、死亡或财产损失。

14 清洁和存储

D-TEK 3 可使用温和的洗涤剂或异丙醇进行清洗。应注意不要让清洁剂进入仪器。请勿用汽油、丙酮或其他腐蚀性溶剂清洗，因为这可能腐蚀塑料或损坏显示屏。

15 备件和附件

更换外壳	721-700-G1
耳塞	721-607-G1
12 V 直流车载充电器	721-605-G1
交流壁式充电器 (包括适用于不同区域的插头)	721-606-G1
锂离子电池	721-702-G1
电池充电座	721-610-G1
电池/充电座组合	721-604-G1
标准传感器 (检测 CFC、HCFC、HFC、HFO 及混合物等 (包括 A2L))	724-701-G1
CO ₂ 传感器	724-701-G2
可燃冷媒 (HC) 传感器	724-701-G3
滤芯 (5 个)	712-707-G1
备用探头帽	712-705-G1
针形探棒扩展附件	721-612-G1
超长探针	721-611-G1
TEK-Check R134a 测试漏孔	703-080-G10

16 故障排除指南

问题	原因	解决方法
电量指示灯快速闪烁红光。	电池发生错误。这可能是由于电池故障或电池安装不当，或连接不良造成的。	移除并重新安装电池。若仍然无法解决问题，则请更换电池。参见移除并安装锂离子电池 [▶ 104]。
	电池高于或低于理想温度范围，可能无法正常充电。	让电池恢复至正常温度。
所有泄漏指示灯闪烁。	传感器发生错误。这可能是由于传感器故障或传感器安装不当，或连接不良造成的。	移除并重新安装传感器。若仍然无法解决问题，则请更换传感器。参见移除并安装传感器 [▶ 105]。
长按电源按钮后指示灯不亮。	电池电量极低。	给电池充电或将装置插入充电器。
装置开机，但无法检测冷媒。	装置没有完成预热。	等待预热完成。此过程需要 45 至 90 秒的时间。
	过滤器堵塞，限制了气流。	更换滤芯。参见更换过滤器 [▶ 106]。
	泵出现故障。	注意倾听泵发出的声音。若泵没有发出声音且电池电量充足，请联系 INFICON。
	灵敏度设置过低（仅适用于 精准定位模式 ）。	验证灵敏度水平。对于极小的漏点，应采用 High 或 Super 灵敏度。
	安装的传感器不正确。	验证使用的是否是正确的传感器（冷媒传感器或 CO ₂ 传感器）。
装置在洁净空气中发出警报。	安装的传感器不正确。	验证安装的是否是冷媒传感器，而非 CO ₂ 传感器。

问题	原因	解决方法
泵没有发出声音。	泵出现故障。	若电池电量充足，请联系 INFICON。

17 保修范围及责任

INFICON 保证 D-TEK 3 冷媒检漏仪自购买之日起一到两年内 (视地区而定) 无材料或工艺缺陷。对于正常使用情况下损耗的物品 (包括电池、传感器和过滤器)，INFICON 不予保修。此外，因误用、疏忽或意外事故或由 INFICON 以外人员进行修理或改装导致的仪器损坏也不在 INFICON 保修范围内。在同时满足以下条件的情况下，INFICON 承担保修责任：用户预付运费将仪器寄回 INFICON，最迟不晚于仪器过保修期后的第 30 天，并且经 INFICON 鉴定仪器故障源自材料或工艺缺陷。保修范围仅限于维修或更换故障仪器或部件，具体由 INFICON 自行决定。本保修政策旨在代替任何其他明示或暗示保证，包括任何对适销性或特定用途适用性做出的保证。明确排除所有其他形式的保证。除支付给 INFICON 的仪器货款和预付返厂运费外，INFICON 不承担任何责任。INFICON 对任何附带或间接损害不承担责任。所有这些责任均排除在外。

1	注意事項と警告	115
2	仕様	116
3	D-TEK 3	118
4	バッテリーの充電	119
5	デバイスをオンにして使用の準備を行う	120
6	Pinpoint モード	120
7	Manual Zero モード	121
8	イヤホンとボリュームコントロール	121
9	リチウムイオンバッテリーの取り外しと取り付け	122
10	センサーの取り外しと取り付け	123
11	フィルターの交換	124
12	エクストラロングタイプのプローブ	125
13	オプションセンサー	126
14	清掃と保管	127
15	部品とアクセサリーの交換	127
16	トラブルシューティングガイド	128
17	保証および免責事項	129

1 注意事項と警告

注意:

- ・ 必ず出力5 V(dc) ±5%、1 A ±5%の認定充電器／コードを使用してください。
- ・ 極端な高温または低温の場所にデバイスを置かないでください。
- ・ バッテリーを液体に曝さないでください。
- ・ バッテリーの損傷に気づいた場合には、デバイスを使用しないでください。
- ・ バッテリーを解体または改造しないでください。
- ・ 地域の規則に従ってバッテリーを取り扱い、廃棄してください。
- ・ 指定された充電時間が経過したら、まだ充電が完了していなくても、それ以上の充電は行わないでください。
- ・ 充電中にバッテリーを無人の状態にしないでください。
- ・ 充電器が完全に充電された時点で、充電器を外してください。
- ・ リチウムイオンバッテリーの不適切な使用や廃棄により、火災が発生する場合があります。
- ・ 高出力の無線電波が存在する環境では、誤検出アラームが発生することがあります。



警告

この記号は、操作およびメンテナンス(サービス)に関する重要な注意事項の存在をユーザーに警告します。



警告

高濃度のCO₂または冷媒への曝露は危険であり人命を危険にさらすことがあります。

本装置を、毒性の強い、または危険な環境で使用することはできません。本装置は、身体の保護装置でも救命装置でもありません。有毒または危険な可能性のある環境では、常に十分な注意を払ってください。



警告

本製品は、本質的な安全性を備えているものではないため、爆発性のあるガス、粉塵、または化学薬品が存在する環境で使用することはできません。可燃性冷媒の濃度が爆発下限界(LEL)に近い環境で使用すると、死傷事故や物的損害を伴う爆発や火災の原因になる可能性があります。

2 仕様

使用	屋内／屋外
センサータイプ	赤外線
対応冷媒	
・ 冷媒センサー (標準、PN 724-701-G1)	すべてのCFC、HCFC、HFC、HFO、および混合(A2Lを含む)
・ CO ₂ センサー(PN 724-701-G2)	R744(二酸化炭素)
・ 可燃性冷媒(HC)センサー(PN 724-701-G3)	R290、R600a、R441a(安全に関する注意事項を参照)
感度(EN14624規格に基づくテスト済み) ¹	
・ R134a	0.04 oz./yr(1g/yr)
・ R1234yf	0.02 oz./yr(0.5g/yr)
・ R290	0.2 oz./yr(5g/yr)
・ R744(CO ₂)	0.07 oz./yr(2g/yr)
・ アンモニア	0.1 oz./yr(3g/yr)
バッテリーの種類	リチウムイオン
充電入力タイプ	micro USB
充電時間(0%から開始)	約3時間
バッテリー動作時間	約9時間
センサー寿命	最大2000時間
入力電圧	5 V(dc) ±5%
入力電流	1 A ±5%
暖機時間	45～90秒
温度範囲および湿度	
・ 保管	-20～60° C(-4～140° F)
・ 動作 ²	-20～50° C(-4～122° F)
・ 充電	0～45° C(32～113° F)
・ 湿度	相対湿度最大95%、結露なきこと
最大高度	2000 m(6500フィート)
汚染度	2
過電圧カテゴリー	2

重量(バッテリー付き、ケースまたは付属品は含みません)	0.44 kg(0.97ポンド)
-----------------------------	------------------

¹ 最大限の性能と、仕様に定められた感度を実現するには、D-TEK 3を使用前に15分間動作させることを推奨します。

² 0° C(32° F)未満での使用には制限があります。低温環境での使用前には、ウォームアップ時間を長く取ることを推奨します。

EN 14624:2020に従う仕様表

	R134a	R1234yf	R744(CO ₂)	アンモニア(R717)	R290
最小感度、静止時(静的)	1 g/yr	0.5 g/yr	2 g/yr	3 g/yr	5 g/yr
最小感度、移動時(動的)	1 g/yr	1 g/yr	2 g/yr	3 g/yr	5 g/yr
最小反応/転出時間	<1秒	<1秒	<1秒	<1秒	<1秒
x g/yrへの曝露後の回復時間 ³	7.6秒	6.4秒	13秒	4秒	4秒
汚染された環境での最小感度	>2 g/yr	1 g/yr	> 4g/yr	3 g/yr	7 g/yr
校正頻度	標準校正器を使用して毎年確認してください				

³x = R134a: 32 g/yr

R1234yf: 35 g/yr

R744 >50 g/yr

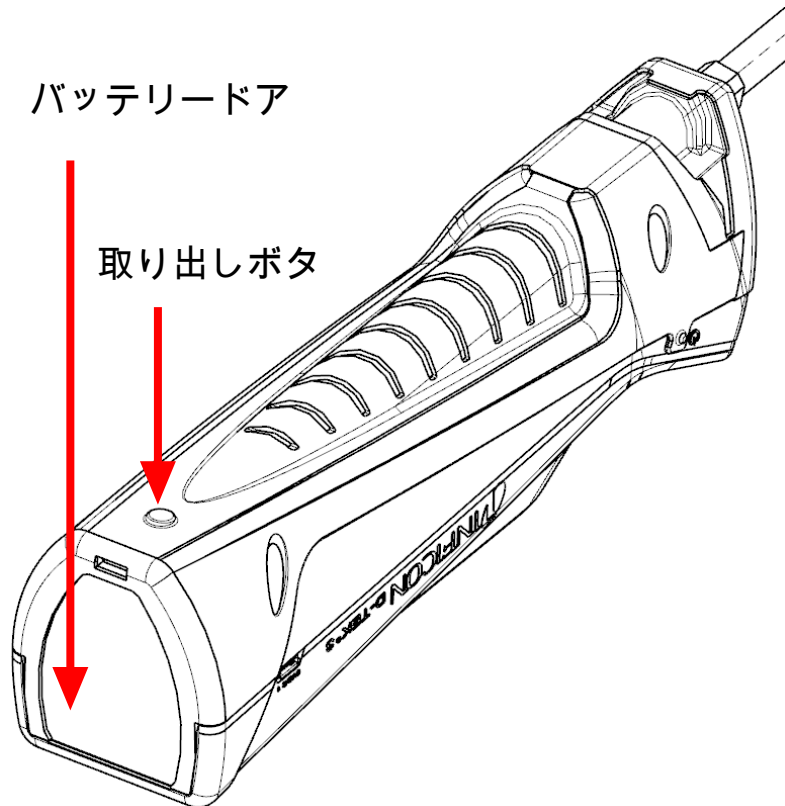
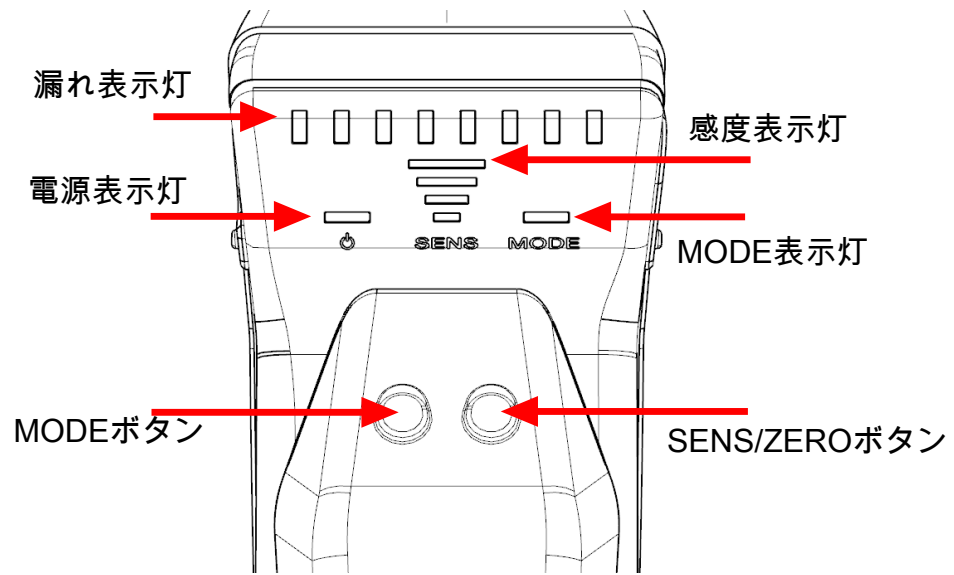
R717: 35 g/yr

R290: 30 g/yr

特許(出願中)

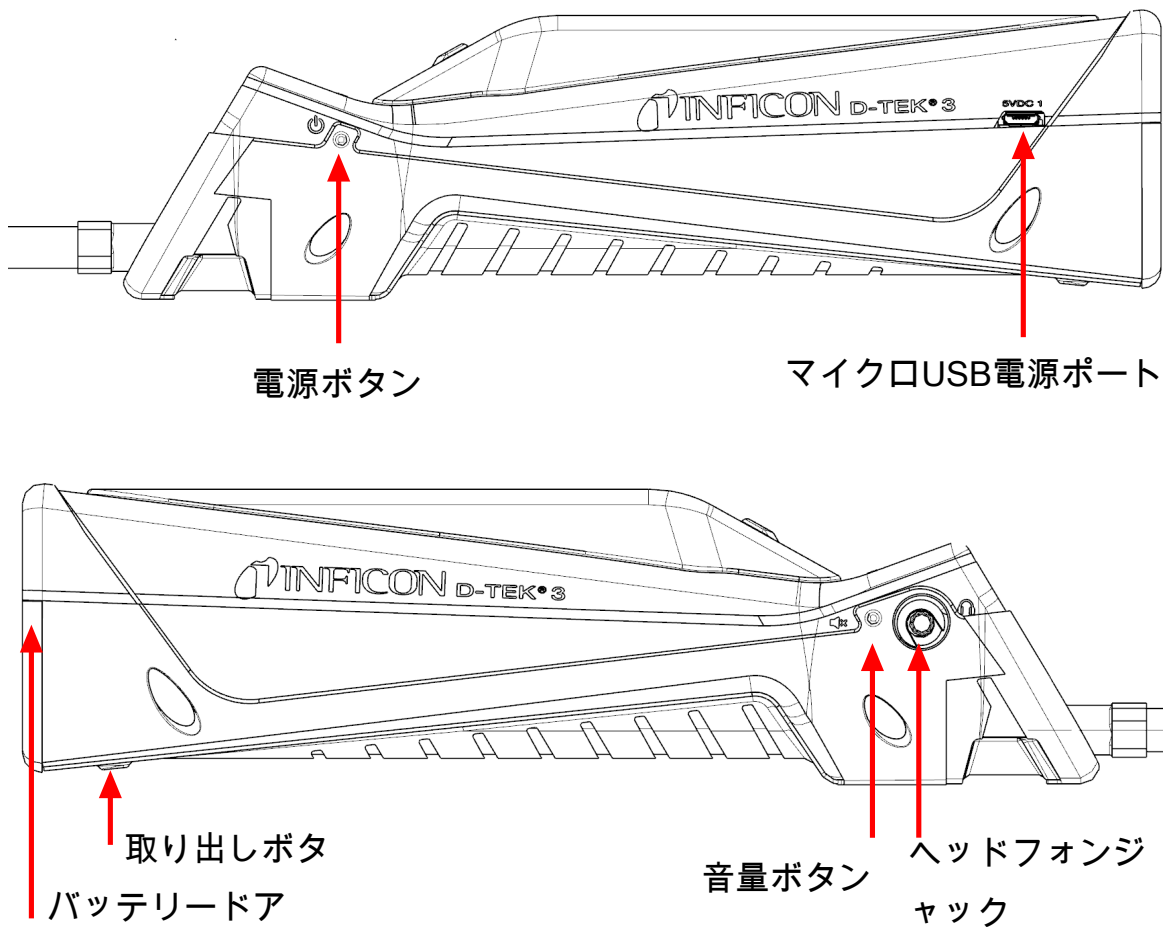
出願番号 10 2018 208 826.8

3 D-TEK 3



日本語

日本語



4 バッテリーの充電

D-TEK 3は、充電式リチウムイオンバッテリーを使用します。これは部分的に充電された状態で出荷されています。使用前に充電してください。付属の充電器または充電クレードルを使用した場合、放電した状態のバッテリーを約2時間で80%まで、約3時間で100%充電することができます。動作温度によりますが、満充電された状態では一般に約9時間の動作が可能です。電源インジケータには、バッテリーの残量の割合が表示されます。

色	%充電
緑	>30%
オレンジ	10-29%
赤	<10%



D-TEK 3は充電中出も使用できます。

5 デバイスをオンにして使用の準備を行う



画面がオンにならない場合は、バッテリーレベルが低いので、充電が必要です。D-TEK 3は充電中も使用できます。

- 1 電源ボタン(デバイス本体の左側にあります)を押すと、D-TEK 3の**オン**と**オフ**を切り替えられます。
 - ⇒ D-TEK 3はウォームアップを開始します。この時間は45~90秒の範囲で幅があります。ウォームアップが完了すると、D-TEK 3は使用可能な状態になります。
- 2 モードを切り替えるには、**MODE**ボタンを押します。これで、**Pinpoint**と**Manual Zero**モードを切り替えます。



D-TEK 3は常に、前回最後に使用したモードで起動します。

6 Pinpoint モード

- 1 D-TEK 3のチップ(先端部)を、できるだけリークが疑われるポイントの近くに配置します(ただし、空気の流れを妨げないようにしてください)。
- 2 プローブを、漏れが疑われる箇所付近でゆっくりと動かします。
 - ⇒ リークが検出されると、D-TEK 3はアラーム音を鳴らし、リークインジケーターが点灯します。
- 3 漏れが特定できたら、プローブを漏れ箇所から離して数秒間待ち、それからその箇所に戻して、漏れを確認します。



Pinpointモードでは、D-TEK 3は、バックグラウンドの冷媒濃度に対して自動ゼロ点調整を行うので、冷媒の濃度が高くなった場合にのみアラームを鳴らします。このような状態になった場合には、より高い濃度の冷媒を探し続けるか、より低い濃度の領域に移動してから数秒間待ってゼロ点をリセットします。



感度の設定を切り替えるには、**SENS/ZERO** ボタンを押します。大規模な漏れを調べる場合には、感度設定を下げて、漏れ箇所を特定する方がやりやすいでしょう。現在の感度は、感度(**SENS**)表示により表示されます。

7 Manual Zero モード

Manual Zero モードは Pinpoint モードと同様に動作しますが、MODEインジケータがゆっくりと点滅することで識別されます。Manual Zeroモードでは、ユーザーはSENS/ZEROボタンを押すことにより、周囲の環境の冷媒量を手動でゼロに調整することができます。いったん新しいゼロ点を設定すると、D-TEK 3は冷媒の濃度がより高くない限り、アラームを鳴らしません。

Manual Zeroモードのゼロ点では、他のモードよりもビーという音が速く鳴ります。濃度が現在のゼロ点よりも低い場合は、ビーという音が遅く鳴ります。ユーザーは、ビーという音の変化を聞いて、漏れよりも離れつつあるのかを判断することができます。



Manual Zeroモードでは感度の設定がありません。



Manual Zeroモードでは、最適なパフォーマンスをのために、最大で15分、追加のウォームアップ時間を必要とします。

8 イヤホンとボリュームコントロール

ヘッドホンまたはイヤホンを使用して検出アラームを聴き取ることができるように、D-TEK 3の本体右側にヘッドホンジャックが用意されています。



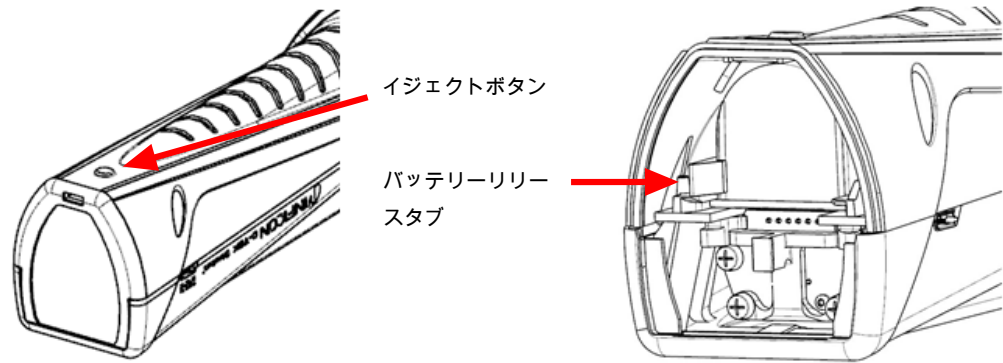
警告

INFICON製の付属品以外のヘッドホンを使用する場合には、聴力への損傷を防ぐため、注意深くテストしてから使用してください。

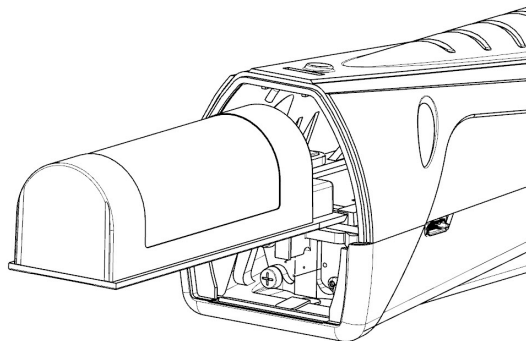
ヘッドホンジャックの隣には、ボリュームボタンがあります。ボリュームボタンを押すと、ボリューム設定を100%、50%、および消音の間で切り替えることができます。起動時のボリュームのデフォルトは100%です。ヘッドホンまたはイヤホンを接続したときは、オン/オフスイッチになり、音量100%と無音(ミュート)の切り換えになります。

9 リチウムイオンバッテリーの取り外しと取り付け

- 1 D-TEK 3 の背面にあるイジェクトボタンを押して、バッテリー カバーを外します。



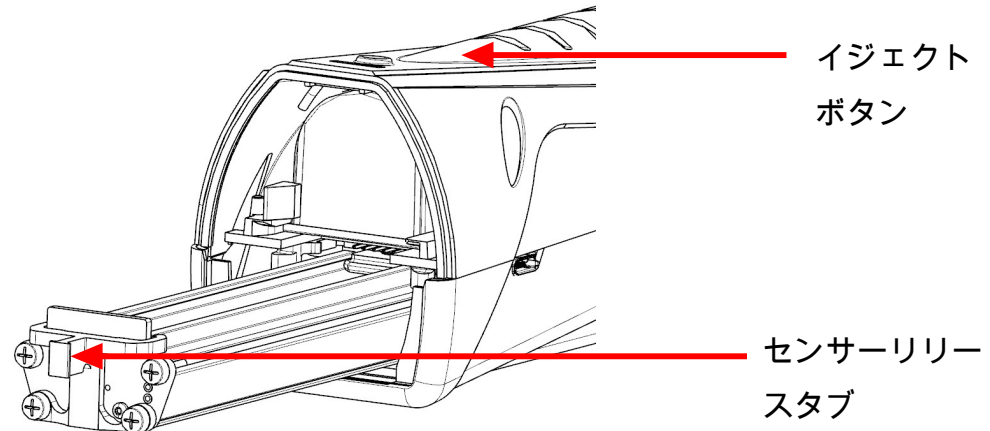
- 2 バッテリーリリースタブを、バッテリーの端が出てくるまで横に動かします。バッテリーを外にスライドさせて取り出します。
- 3 バッテリーをレールに合わせます。



- 4 バッテリーリリースタブがかみ合うまで、バッテリーをレールに沿って優しく押します。
⇒ バッテリーを強く押さないでください。バッテリーが自由にスライドしない場合は、位置合わせを確認し、もう一度試してください。
- 5 バッテリーカバーを取り付けます。

10 センサーの取り外しと取り付け

D-TEK 3はカートリッジ式のセンサーを使用しており、現場で手早く簡単に取り外しと交換ができます。INFICONでは、標準センサーに加え冷蔵機器・エアコンアプリケーション向けのCO2専用センサーも用意しています。部品とアクセサリーの交換 [▶ 127]を参照してください。

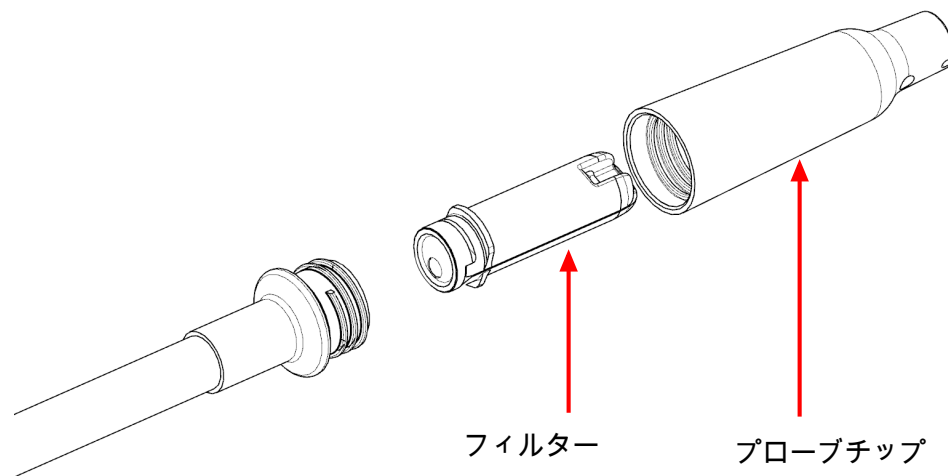


センサーの交換は、次の手順で行います。

- 1 D-TEK 3の背面にあるイジェクトボタンを押して、バッテリーカバーを外します。
- 2 センサーリリースタブを持って、センサーをゆっくりと引き出します。
- 3 新しいセンサーをレールに合わせます。
- 4 完全に挿入されるまで、センサーをレールに沿って優しく押し込みます。
⇒ センサーを強く押さないでください。自由にスライドしない場合は、位置合わせを確認し、もう一度試してください。
- 5 バッテリーカバーを取り付けます。

11 フィルターの交換

D-TEK 3は疎水性のフィルタカートリッジを使用しているため、空気と冷媒を通し、水、ほこり、油類は通しません。フィルターの白い布を確認し、フィルター交換の要否を判断してください。布の色が変化した場合は新しいフィルターを取り付けてください。フィルターの交換は、リークディテクターが冷媒を正しく検出していない場合のトラブルシューティングの一つです。フィルターが詰まっていると、サンプルの空気の流れが制限されます。



フィルターを水や油類に曝すと空気の流れが妨げられます。この場合、プローブを下向きにしてフィルターを取り外すことでプローブ内への汚染物質の浸入を防いだ後、新しいフィルターを取り付けてください。フィルターが湿っている場合は、乾燥させて再使用できます。



⚠ 注意

プローブチップおよびフィルタのない状態では、絶対に装置を使用しないでください。

フィルターの交換は、次の手順で行います。

- 1 プローブチップを回して外し、フィルターを取り外します。
- 2 新しいフィルターをプローブチップに挿入します。
- 3 プローブチップを回して取り付けます。締め付けすぎないように注意してください。

12 エクストラロングタイプのプローブ

オプションのエクストラロングタイプの交換プローブは、アクセスが難しい場所のリークチェックで使用できます。

エクストラロングタイプのプローブを取り付けるには、次の手順に従います。

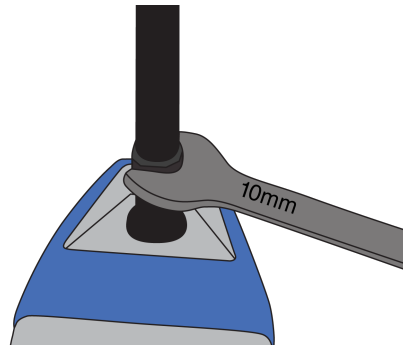
- 1 10 mmレンチを使用して標準プローブを回し、D-TEK 3 の本体から取り外します。
- 2 エクストラロングタイプのプローブを回して取り付けます。トルクは約4 N·m (35 in·lb) です。締め込みすぎないように注意してください。
- 3 標準プローブからプローブチップを回して外し、フィルターを取り外します (または新しいフィルターを使用します)。
- 4 フィルターをエクストラロングタイプのプローブに挿入します。
- 5 プローブチップを回してエクストラロングタイプのプローブに取り付けます。締め込みすぎないように注意してください。



⚠ 注意

プローブの取り外しは、必ずプローブのベースに10mmのレンチを当てて行ってください。

指定された方法以外でプローブを外すと、プローブが損傷するおそれがあります。



13 オプションセンサー

CO₂用 (PN 724-701-G2) および可燃性冷媒用 (PN 724-701-G3) のオプションセンサーが用意されています。CO₂用センサーまたは可燃性冷媒用センサーを使用するには、「センサーの取り外しと取り付け [▶ 123]」の手順に従って、標準センサーを取り外して新しいセンサーを取り付けます。D-TEK 3 によってセンサーのタイプが自動的に認識され、そのセンサーが取り付けられている間は、センサーのタイプを示す色がモードインジケータに表示されます。緑色はCO₂センサーが取り付けられていることを、赤色は可燃性冷媒センサーが取り付けられていることを、オレンジ色は標準冷媒センサーが取り付けられていることを示します。



D-TEK 3 によって可燃性冷媒センサーが認識されない場合は、INFICONにお知らせください。ソフトウェアテストを手配させていただきます。



水素 (フォーミングガスを含む) は可燃性冷媒センサーによって検出されません。



CO₂ のリーク検査を実施するときは、呼吸用保護具またはマスクを使用して、呼吸に含まれるCO₂ がプローブに影響を与えないようにすることを推奨します。



警告

高濃度のCO₂ または冷媒への曝露は危険であり人命を危険にさらすことがあります。本装置を、毒性の強い、または危険な環境で使用することはできません。本装置は、身体の保護装置でも救命装置でもありません。有毒または危険な可能性のある環境では、常に十分な注意を払ってください。



警告

本製品は、本質的な安全性を備えているものではないため、爆発性のあるガス、粉塵、または化学薬品が存在する環境で使用することはできません。可燃性冷媒の濃度が爆発下限界 (LEL) に近い環境で使用すると、死傷事故や物的損害を伴う爆発や火災の原因になる可能性があります。

14 清掃と保管

D-TEK 3の清掃は中性洗剤またはイソプロピルアルコールで行う必要があります。機器に洗剤が入り込まないように注意してください。ガソリン、アセトン、またはプラスチックやディスプレイに損傷を与える作用の強い溶剤は使用しないでください。

15 部品とアクセサリーの交換

交換用プラスチックキャリングケース	721-700-G1
イヤホン	721-607-G1
12 V(DC)自動車用充電器	721-605-G1
AC充電器(各国対応のプラグ同梱)	721-606-G1
リチウムイオンバッテリー	721-702-G1
バッテリー充電クレードル	721-610-G1
バッテリー／充電クレードルセット	721-604-G1
標準センサー(CFC、HCFC、HFC、HFO、およびその混合物(微燃性冷媒含む)を検出)	724-701-G1
CO ₂ センサー	724-701-G2
可燃性冷媒(HC)センサー	724-701-G3
フィルターカートリッジ(5個セット)	712-707-G1
交換用プローブキャップ	712-705-G1
ニードルプローブエクステンション	721-612-G1
エクストラロングタイプのプローブ	721-611-G1
TEK-Check R134a校正リーク	703-080-G10

16 トラブルシューティングガイド

問題	原因	対処法
電源インジケータが素早く赤で点滅します。	バッテリーエラーが発生しました。これはバッテリーが故障した場合、バッテリーの取り付けが間違っていた場合、または接続不良が起きた場合に起こります。	バッテリーを取り外して、取り付け直してください。問題が続く場合は、バッテリーを交換してください。リチウムイオンバッテリーの取り外しと取り付け [▶ 122]を参照してください。
	バッテリー温度が適切な範囲外で、充電が適切に行えません。	バッテリーを常温に戻してください。
すべての漏れインジケータが点滅します。	センサーエラーが発生しました。これはセンサーが故障した場合、センサーの取り付けが間違っていた場合、または接続不良が起きた場合に見られます。	センサーを取り外して、取り付け直してください。問題が続く場合は、センサーを交換してください。センサーの取り外しと取り付け [▶ 123]を参照してください。
電源ボタンを長押ししても、インジケータがオンになりません。	バッテリーレベルが極端に低くなっています。	バッテリーを充電するか、装置を充電器に接続してください。
装置はオンになりますが、冷媒を検出しません。	装置がウォームアップを終了していません。	ウォームアップが終了するのを待ってください。これには45～90秒かかります。
	フィルターが詰まっているため、空気が十分に流れていません。	フィルターカートリッジを交換してください。フィルターの交換 [▶ 124]を参照してください。
	ポンプが故障しています。	ポンプの作動音を聞いてください。バッテリーが十分に充電されているのに、ポンプの作動音が聞こえない場合には、INFICONまでお問い合わせください。
	感度の設定が低すぎます (Pinpoint モードのみ)。	感度レベルを確認します。非常にわずかな漏れの場合には、High または Super を使用する必要があります。
きれいな空気でも装置のアラームが鳴ります。	取り付けられているセンサーのタイプが間違っています。	正しいタイプのセンサーが取り付けられているかを確認します (冷媒センサーまたは CO ₂ センサー)。
	取り付けられているセンサーのタイプが間違っています。	CO ₂ センサーの代わりに冷媒センサーが取り付けられているか確認してください。

問題	原因	対処法
ポンプから音が聞こえません。	ポンプが故障しています。	バッテリーが十分充電されている場合には、INFICONまでお問い合わせください。

17 保証および免責事項

INFICONは、D-TEK 3冷媒ガスリークディテクター が、ご購入の日より起算して1年または2年(地域により異なります)の間、材料あるいは製造に起因する瑕疵のないことを保証します。INFICONは、電池、センサー、およびフィルターを含む通常の使用において劣化する部品については保証しません。加えて、INFICONは、誤用や怠慢、または事故により問題が発生した、またはINFICON以外により修理または改造された装置については、保証を行いません。INFICONの責任は、保証期限終了の後30日を経過することなく適切な輸送方法でINFICONに返送され、INFICONが材料あるいは製造に起因して故障したと判定した装置に限られます。INFICONの責任は、故障装置あるいは部品のINFICONの選択による修理あるいは交換に限られます。この責任は、市場性または特定の目的への適合性またはその他のもののいずれであるかには関わりなく、明示であれ黙示であれ、他の保証すべてに代わるものです。かかる他のすべての保証は明示的に否認されています。INFICONは、本装置に対してINFICONに支払われた価格とお客様が立て替えられた返送費を超過しての責任を負いません。INFICONは、いかなる附帯的または派生的な損傷に対しても責任を負いません。かかるすべての責任は除外されます。

1	Предупреждения и меры предосторожности	133
2	Характеристики	134
3	D-ТЕК 3	137
4	Зарядка аккумулятора	138
5	Включение прибора и подготовка к использованию	139
6	Режим Pinpoint	139
7	Режим Manual Zero	140
8	Наушники и управление громкостью	140
9	Извлечение и установка литий-ионного аккумулятора	141
10	Снятие и установка датчика	142
11	Замена фильтров	143
12	Длинный зонд	144
13	Опциональные датчики.....	145
14	Чистка и хранение	146
15	Детали для замены и принадлежности.....	146
16	Руководство по устранению неполадок.....	147
17	Гарантия и ограничение ответственности	148

1 Предупреждения и меры предосторожности

Предостережения:

- Используйте только сертифицированное зарядное устройство/кабель с выходом 5 В (пост. тока) $\pm 5\%$, 1 А $\pm 5\%$.
- Не используйте устройство в местах со сверхвысокой или сверхнизкой температурой.
- Не подвергайте аккумулятор воздействию влаги.
- Не используйте устройство, если заметите, что аккумулятор поврежден.
- Не разбирайте аккумулятор и не пытайтесь изменить его конструкцию.
- Транспортировка и утилизация аккумулятора должны осуществляться в соответствии с местными нормативными требованиями.
- Если окажется, что зарядка не завершилась даже по истечении указанного времени, ее необходимо будет немедленно прекратить.
- Во время зарядки не оставляйте аккумулятор без присмотра.
- После полной зарядки аккумулятора отключите зарядное устройство.
- Использование или утилизация литий-ионных аккумуляторов ненадлежащим образом может стать причиной пожара.
- В зонах с высокочастотными помехами может подаваться ложный сигнал тревоги.



ОСТОРОЖНО

Этот символ используется для предупреждения пользователя о наличии важных инструкций по эксплуатации и техническому обслуживанию (ремонту).



ОСТОРОЖНО

Высокая концентрация CO₂ или хладагента опасна и может представлять угрозу для жизни.

Прибор не предназначен для применения в токсичных или опасных средах. Он не является средством индивидуальной защиты или средством пассивной безопасности. В средах, которые потенциально могут быть токсичными или опасными, всегда следует соблюдать особую осторожность.



⚠ ОСТОРОЖНО

Данный прибор не является искробезопасным и не должен эксплуатироваться в средах, где присутствуют взрывоопасные газы, взрывоопасная пыль и прочие взрывоопасные вещества. Эксплуатация в средах с концентрацией легко воспламеняющегося хладагента, близкой к LEL (нижнему пределу взрываемости), может привести к взрыву или пожару и, как следствие, к серьезным травмам и материальному ущербу.

2 Характеристики

Использование	в помещении/на улице
Тип датчика	инфракрасный
Совместимые хладагенты	
<ul style="list-style-type: none"> Датчик хладагента (стандартный, PN 724-701-G1) 	все хлорфторуглероды, гидрохлорфторуглероды, гидрофторуглероды, гидрофторолефины и смеси (включая A2L)
<ul style="list-style-type: none"> Датчик CO₂ (PN 724-701-G2) 	R744 (диоксид углерода)
<ul style="list-style-type: none"> Датчик легко воспламеняющегося хладагента (углеводороды) (PN 724-701-G3) 	R290, R600a, R441a (см. предупреждения по технике безопасности)
Чувствительность (протестировано по стандарту EN14624) ¹	
<ul style="list-style-type: none"> R134a 	1 г/год (0,04 унций/год)
<ul style="list-style-type: none"> R1234yf 	0,5 г/год (0,02 унций/год)
<ul style="list-style-type: none"> R290 	5 г/год (0,2 унций/год)
<ul style="list-style-type: none"> R744 (CO₂) 	2 г/год (0,07 унций/год)
<ul style="list-style-type: none"> Аммиак 	3 г/год (0,1 унций/год)
Тип аккумулятора	литий-ионный
Тип входа для зарядки	micro USB
Время зарядки (начиная с 0%)	около 3 часов
Срок службы аккумулятора	около 9 часов
Срок службы датчика	До 2000 часов
Напряжение питания	5 В (пост. тока) ±5%
Потребляемый ток	1 А ±5%
Время прогрева	45–90 секунд

Температурные диапазоны и влажность	
• Хранение	-20–60 °C (-4–140 °F)
• Работа ²	-20–50 °C (-4–122 °F)
• Зарядка	0–45 °C (32–113 °F)
• Влажность	макс. 95% относительной влажности без конденсации
Высота над уровнем моря	2000 м (6500 футов)
Степень загрязненности	2
Категория перенапряжения	2
Вес (с аккумулятором; не включая футляр для переноски или принадлежности)	0,44 кг (0,97 фунта)

¹ Чтобы обеспечить оптимальную работу и указанные уровни чувствительности, рекомендуется включить D-ТЕК 3 за 15 минут до использования.

² Следует ограничивать использование устройства при температуре ниже 0 °C (32 °F). Перед началом использования в средах с низкой температурой рекомендуется прогрев в течение более продолжительного времени.

Таблица характеристик соответствует EN 14624:2020

	R134a	R1234yf	R744 (CO ₂)	Аммиак (R717)	R290
Минимальная чувствительность, фиксированная (статическая)	1 г/год	0,5 г/год	2 г/год	3 г/год	5 г/год
Минимальная чувствительность, подвижная (динамическая)	1 г/год	1 г/год	2 г/год	3 г/год	5 г/год
Минимальное время реагирования/распознавания	<1 с	<1 с	<1 с	<1 с	<1 с
Время восстановления для утечки x г/год ³	7,6 с	6,4 с	13 с	4 с	4 с
Минимальная чувствительность в загрязненной среде	>2 г/год	1 г/год	>4 г/год	3 г/год	7 г/год

	R134a	R1234yf	R744 (CO ₂)	Аммиак (R717)	R290
Периодичность калибровки	Ежегодная проверка с использованием калиброванного стандарта утечки				

³x = R134a: 32 г/год

R1234yf: 35 г/год

R744 >50 г/год

R717: 35 г/год

R290: 30 г/год

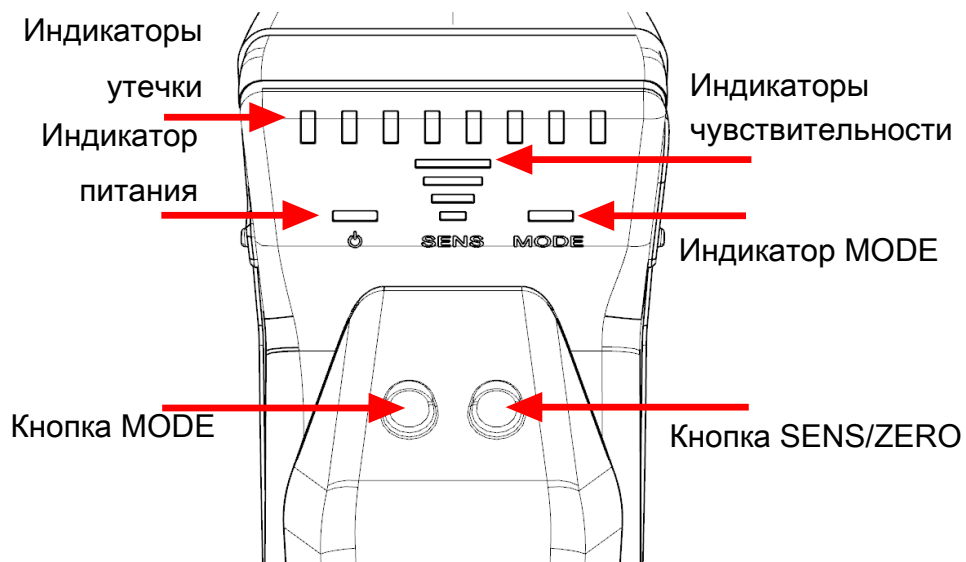
Патенты (поданы заявки)

Применение #10 2018 208 826.8

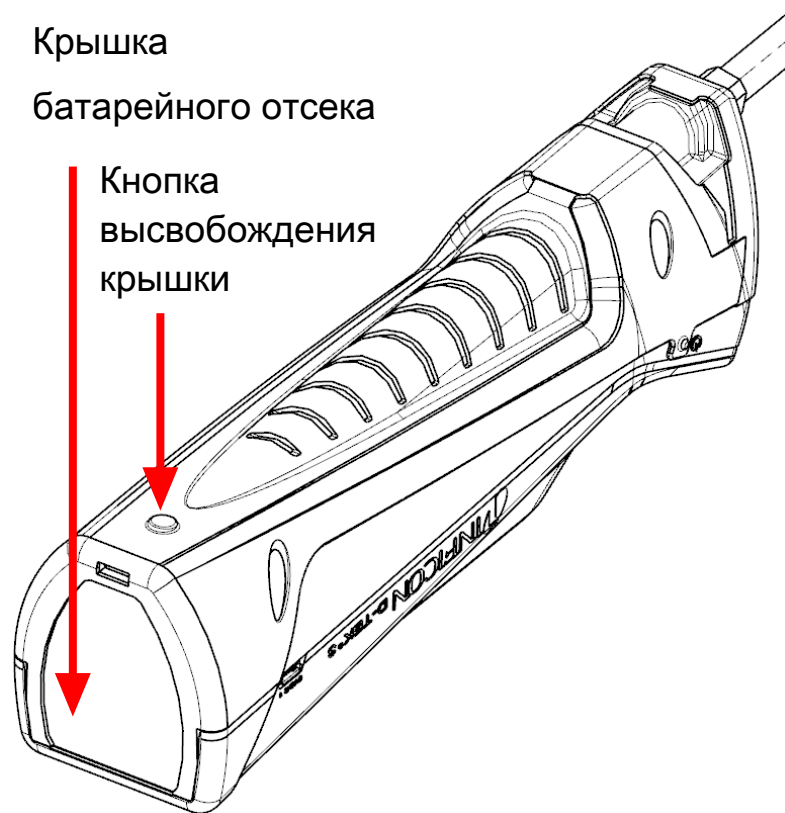
Русский

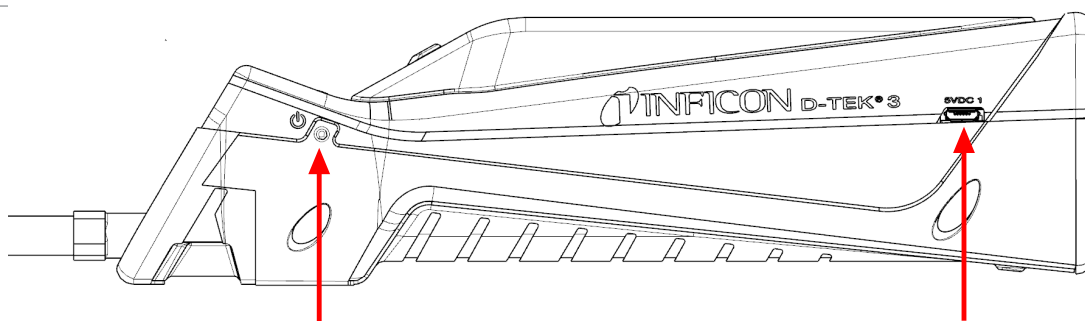
Русский

3 D-TEK 3



Крышка
батареинного отсека





Кнопка питания

Разъем питания micro USB



Крышка батарейного отсека

Кнопка высвобождения крышки

Кнопка громкости

Гнездо для наушников

4 Зарядка аккумулятора

В D-TEK 3 используется литий-ионная аккумуляторная батарея, которая частично заряжена на момент поставки. Компания INFICON рекомендует зарядить аккумулятор перед использованием. С помощью входящего в комплект зарядного устройства или стойки для зарядки полностью разряженный аккумулятор можно зарядить до уровня 80% примерно за около 2 часов и 100% за около 3 часов. Полного заряда обычно хватает примерно на 9 часов работы, в зависимости от рабочей температуры. Индикатор на экране показывает оставшийся процент заряда аккумулятора.

Цвет	% зарядки
Зеленый	>30%
Оранжевый	10–29%
Красный	<10%



D-TEK 3 можно использовать во время зарядки.

5 Включение прибора и подготовка к использованию



Если экран не включается, значит, аккумулятор разряжен и его необходимо зарядить. D-ТЕК 3 можно использовать во время зарядки.

- 1 Чтобы D-ТЕК 3 включить (**On**) или выключить (**Off**), нажмите и удерживайте кнопку питания (с левой стороны на корпусе прибора).
⇒ Начнется прогрев D-ТЕК 3, который продлится от 45 до 90 секунд. По завершении прогрева D-ТЕК 3 будет готово к использованию.
- 2 Для переключения режима нажмите кнопку **MODE**. Ее нажатие обеспечивает переключение между режимами **Pinpoint** и **Manual Zero**.



D-ТЕК 3 всегда включается в том режиме, который использовался последним.

6 Режим Pinpoint

- 1 Поместите наконечник зонда D-ТЕК 3 как можно ближе к месту предполагаемой утечки (не перекрывайте поток воздуха).
- 2 Медленно проведите зондом над каждой вероятной точкой утечки.
⇒ При обнаружении утечки D-ТЕК 3 подает предупреждающий сигнал, и загораются индикаторы утечки.
- 3 Обнаружив утечку, отведите зонд от зоны утечки на несколько секунд, а затем верните его обратно, чтобы подтвердить наличие утечки.



В режиме **Pinpoint** D-ТЕК 3 автоматически выполняет обнуление до фоновой концентрации хладагента и впоследствии выдает звуковые сигналы предупреждения только при более высоких концентрациях хладагента. В этом случае продолжите поиск участка с более высокой концентрацией хладагента или переместите зонд на несколько секунд в зону с его менее высокой концентрацией, чтобы выполнить сброс нулевой точки.



Нажмите кнопку **SENS/ZERO**, чтобы переключить настройку чувствительности. В случае большой утечки точное ее место проще определить, используя настройку низкой чувствительности. Индикатор чувствительности (**SENS**) отображает текущий уровень чувствительности.

7 Режим Manual Zero

Режим **Manual Zero** работает аналогично режиму **Pinpoint**, только при этом медленно мигает индикатор **MODE**. В режиме **Manual Zero** пользователь имеет возможность вручную обнулить его до фонового уровня хладагента, нажав кнопку **SENS/ZERO**. После задания новой нулевой точки D-ТЕК 3 не будет выдавать сигнал предупреждения до тех пор, пока не будет обнаружена более высокая концентрация хладагента.

В режиме **Manual Zero** звуковые сигналы звучат чаще в нулевой точке, чем в других режимах. Если концентрация ниже, чем в текущей нулевой точке, то частота звуковых сигналов становится ниже. Таким образом, пользователь по изменению частоты звуковых сигналов понимает, что он удаляется от места утечки.



Для режима **Manual Zero** настройка чувствительности не предусмотрена.



Для оптимальной работы в режиме **Manual Zero** требуется дополнительное время прогрева устройства до 15 минут.

8 Наушники и управление громкостью

С правой стороны D-ТЕК 3 имеется гнездо для наушников для прослушивания предупреждающих сигналов.



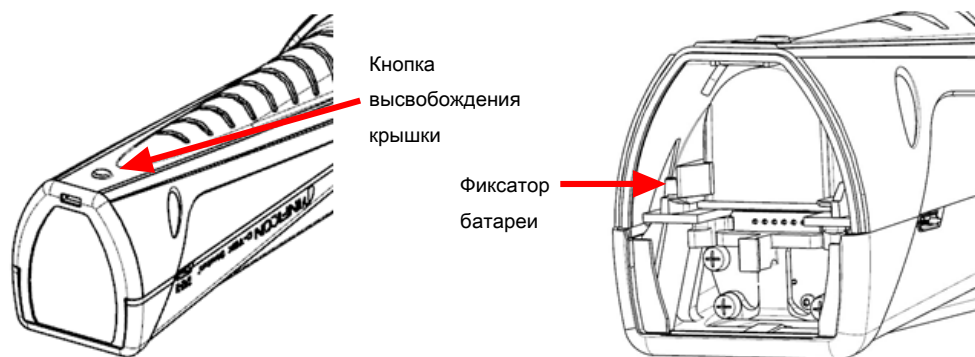
ОСТОРОЖНО

Если вы намерены использовать наушники не из комплекта поставки INFICON, во избежание повреждения органов слуха обязательно протестируйте их.

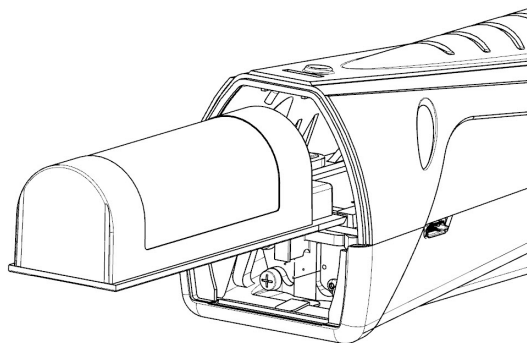
Кнопка регулировки уровня громкости находится рядом с гнездом для наушников. Нажмите кнопку регулировки громкости, чтобы изменить уровень громкости с 100% до 50% и полного отключения звука. При включении устройства по умолчанию устанавливается уровень громкости 100%. При подключении наушников громкость переключается между двумя режимами: 100% и без звука.

9 Извлечение и установка литий-ионного аккумулятора

- 1 Нажмите кнопку извлечения на задней панели устройства D-ТЕК 3 и снимите крышку батарейного отсека.



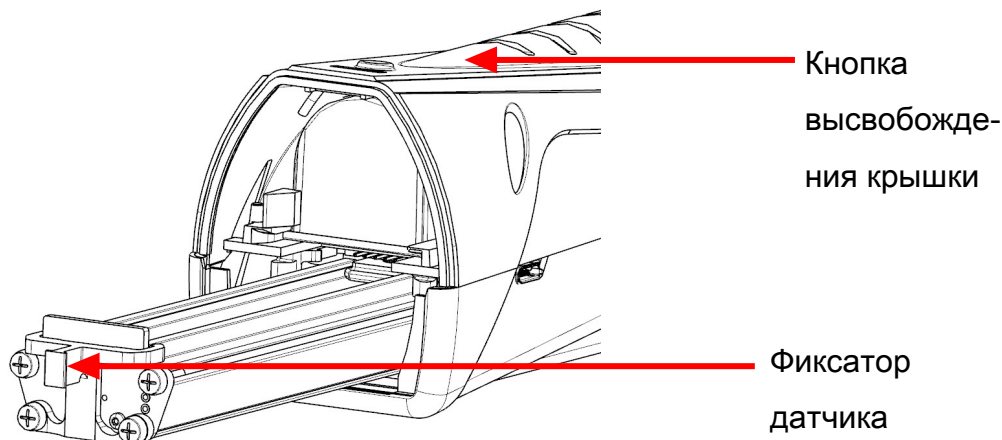
- 2 Выньте аккумулятор, отведя в сторону фиксатор, чтобы аккумулятор выдвинулся. Извлеките аккумулятор.
- 3 Выровняйте аккумулятор по направляющим.



- 4 Аккуратно вставьте аккумулятор по направляющим до срабатывания фиксатора.
 - ⇒ Не давите на аккумулятор слишком сильно. Если он не вставляется, выровняйте его и повторите попытку.
- 5 Верните крышку батарейного отсека на место.

10 Снятие и установка датчика

В устройстве D-ТЕК 3 используется датчик в виде картриджа, который можно легко вынуть и заменить на месте эксплуатации. Кроме стандартного датчика компания INFICON предлагает специальный датчик определения CO₂, который предназначен для диагностики утечек в холодильном оборудовании и кондиционерах. См. Детали для замены и принадлежности [▶ 146].

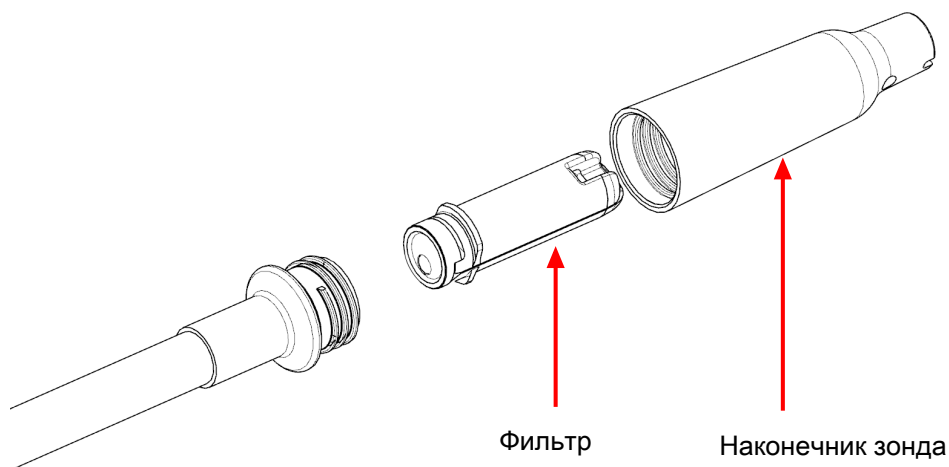


Чтобы заменить датчик:

- 1 Нажмите кнопку извлечения на задней панели устройства D-ТЕК 3 и снимите крышку батарейного отсека.
- 2 Возьмитесь за фиксатор датчика и аккуратно извлеките датчик.
- 3 Выровняйте новый датчик по направляющим.
- 4 Аккуратно полностью вставьте датчик по направляющим.
⇒ Не давите на датчик слишком сильно. Если он не вставляется, выровняйте его и повторите попытку.
- 5 Верните крышку батарейного отсека на место.

11 Замена фильтров

D-ТЕК 3 использует картридж с гидрофобным фильтром, который пропускает воду и хладагенты, но при этом задерживает воду, грязь и масло. Посмотрите на белую ткань, чтобы определить, требуется ли замена фильтра. Если ткань обесцветилась, установите новый фильтр. Замена фильтра также является простым шагом во время поиска и устранения неисправностей, если вы считаете, что детектор утечек неправильно распознает хладагенты. Забитый воздушный фильтр может ограничивать поступление воздушного потока для взятия пробы.



При воздействии воды или масла на фильтр воздушный поток может блокироваться. В этом случае выньте фильтр так, чтобы зонд был направлен вниз, чтобы не допустить попадания в него грязи, и установите новый фильтр. Если фильтр станет влажным, его можно использовать после того, как он просохнет.



⚠ ВНИМАНИЕ

Не используйте прибор без наконечника зонда и фильтра.

Чтобы заменить фильтр:

- 1 Открутите наконечник зонда и извлеките фильтр.
- 2 Вставьте в зонд новый фильтр.
- 3 Прикрутите наконечник зонда. Не затягивайте слишком сильно.

12 Длинный зонд

Предлагаемый в качестве дополнительной принадлежности запасной длинный зонд может использоваться для проверки наличия утечек в труднодоступных местах.

Чтобы установить длинный зонд:

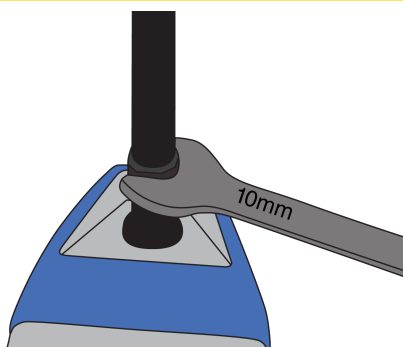
- 1 Отверните стандартный зонд от корпуса устройства D-ТЕК 3 с помощью ключа на 10 мм.
- 2 Заверните длинный зонд с моментом около 35 дюйм·фунт (4 Н·м). Не затягивайте слишком сильно.
- 3 Открутите наконечник от стандартного зонда и извлеките фильтр (или используйте новый).
- 4 Вставьте фильтр в длинный зонд.
- 5 Прикрутите наконечник на длинный зонд. Не затягивайте слишком сильно.



ВНИМАНИЕ

Всегда снимайте зонд, пользуясь ключом на 10 мм у основания зонда.

Отворачивание зонда каким-либо иным способом, отличным от указанного, может привести к повреждению зонда.



13 Опциональные датчики

Предлагаются опциональные датчики для определения CO₂ (PN 724-701-G2) или легковоспламеняющегося хладагента (PN 724-701-G3). Для использования датчика CO₂ или легковоспламеняющегося хладагента снимите стандартный датчик и установите новый согласно инструкциям в разделе Снятие и установка датчика [▶ 142]. D-ТЕК 3 автоматически распознает тип датчика, а индикатор **MODE** загорается соответствующим светом, сигнализируя тип датчика все то время, что установлен датчик. Зеленый означает датчик CO₂, красный — датчик легковоспламеняющегося хладагента, оранжевый — датчик стандартного хладагента.



Если D-ТЕК 3 не распознает тип датчика легковоспламеняющегося хладагента автоматически, то обратитесь в INFICON и договоритесь о проведении обновления ПО.



Датчик легковоспламеняющегося хладагента не определяет водород, в том числе водородообразующий газ.



При поиске утечек CO₂ рекомендуется носить респиратор или маску во избежание попадания выдыхаемого CO₂ в зонд.



⚠ ОСТОРОЖНО

Высокая концентрация CO₂ или хладагента опасна и может представлять угрозу для жизни.

Прибор не предназначен для применения в токсичных или опасных средах. Он не является средством индивидуальной защиты или средством пассивной безопасности. В средах, которые потенциально могут быть токсичными или опасными, всегда следует соблюдать особую осторожность.



⚠ ОСТОРОЖНО

Данный прибор не является искробезопасным и не должен эксплуатироваться в средах, где присутствуют взрывоопасные газы, взрывоопасная пыль и прочие взрывоопасные вещества. Эксплуатация в средах с концентрацией легковоспламеняющегося хладагента, близкой к LEL (нижнему пределу взрываемости), может привести к взрыву или пожару и, как следствие, к серьезным травмам и материальному ущербу.

14 Чистка и хранение

Для чистки устройства D-ТЕК 3 можно использовать мягкое чистящее средство или изопропиловый спирт. Следует соблюдать осторожность, чтобы чистящее средство не попадало внутрь прибора. Не используйте для чистки бензин, ацетон и другие агрессивные растворы, поскольку они могут повредить пластик или дисплей.

15 Детали для замены и принадлежности

Запасной футляр для переноски	721-700-G1
Наушники	721-607-G1
Автомобильное зарядное устройство 12 В (пост. тока)	721-605-G1
Зарядное устройство для сети переменного тока (включает вилки для различных регионов)	721-606-G1
Литий-ионный аккумулятор	721-702-G1
Стойка для зарядки аккумулятора	721-610-G1
Комбинация аккумулятора и стойки для зарядки	721-604-G1
Стандартный датчик (распознает хлорфторуглероды, гидрохлорфторуглероды, гидрофторуглероды, гидрофторолефины, смеси (включая A2L))	724-701-G1
Датчик CO ₂	724-701-G2
Датчик легковоспламеняющегося хладагента (углеводороды)	724-701-G3
Картриджи фильтров (количество, 5)	712-707-G1
Запасной наконечник зонда	712-705-G1
Удлинитель зонда-иглы	721-612-G1
Длинный зонд	721-611-G1
Устройство для проверки наличия утечек ТЕК-Check R134a	703-080-G10

16 Руководство по устранению неполадок

Неисправность	Причина	Способ устранения
Индикатор питания быстро мигает красным.	Возникла ошибка аккумулятора. Она может быть вызвана неисправностью самого аккумулятора, неправильной его установкой или плохим контактом.	Извлеките и снова установите аккумулятор. Если проблема не исчезла, замените аккумулятор. См. раздел Извлечение и установка литий-ионного аккумулятора [▶ 141].
	Температура аккумулятора выше или ниже оптимальной, и, возможно, он не заряжается должным образом.	Дайте аккумулятору охладиться до нормальной температуры.
Мигают индикаторы утечки.	Возникла ошибка датчика. Она может быть вызвана неисправностью самого датчика, неправильной его установкой или плохим контактом.	Извлеките и снова установите датчик. Если проблема не исчезла, замените датчик. См. раздел Снятие и установка датчика [▶ 142].
Индикаторы не загораются после длительного нажатия кнопки питания.	Критически низкий уровень заряда аккумулятора.	Зарядите аккумулятор или подключите зарядное устройство.
Устройство включается, но не распознает хладагент.	Устройство не полностью прогрелось.	Дождитесь завершения прогрева. Для этого может потребоваться от 45 до 90 секунд.
	Засорился фильтр, в результате чего поток воздуха затруднен.	Замените картридж фильтра. См. раздел Замена фильтров [▶ 143].
	Возникла неисправность насоса.	Прислушайтесь к звуку насоса. Если насос не издает звуков и аккумулятор

Неисправность	Причина	Способ устранения
		надлежащим образом заряжен, обратитесь в компанию INFICON.
	Установлена слишком низкая чувствительность (только для режима Pinpoint).	Проверьте уровень чувствительности. Для небольших утечек необходимо использовать уровень чувствительности High или Super .
	Установлен неверный датчик.	Убедитесь, что используется соответствующий датчик (датчик хладагента или датчик CO ₂).
Устройство выдает предупреждающий сигнал в чистом воздухе.	Установлен неверный датчик.	Проверьте, что установлен датчик хладагента, а не датчик CO ₂ .
Насос не издает звуков.	Возникла неисправность насоса.	Если аккумулятор надлежащим образом заряжен, обратитесь в компанию INFICON.

17 Гарантия и ограничение ответственности

Компания INFICON гарантирует отсутствие на вашем Детекторе утечки хладагента D-ТЕК 3 дефектов материалов или изготовления в течение одного или двух лет (в зависимости от региона) с даты покупки. Компания INFICON не предоставляет гарантии на элементы, которые могут изнашиваться во время нормальной эксплуатации, включая аккумуляторы, датчики и фильтры. Кроме того, компания INFICON не обслуживает по гарантии приборы, которые неправильно или небрежно эксплуатировались, повреждены в результате несчастного случая, а также ремонтировались или изменялись кем-либо, кроме специалистов компании INFICON. Ответственность компании INFICON распространяется исключительно на приборы, которые возвращаются в компанию INFICON (с предварительной оплатой транспортировки) не позднее чем через тридцать (30) дней после окончания гарантийного периода и которые будут признаны компанией INFICON неисправными вследствие дефектов материалов

или изготовления. Ответственность компании INFICON предусматривает только ремонт или замену неисправного прибора или детали, по усмотрению компании. Настоящая гарантия заменяет собой все другие гарантии, как явные, так и подразумеваемые, включая гарантии ГАРАНТИИ КОММЕРЧЕСКОЙ ПРИГОДНОСТИ, ПРИГОДНОСТИ ДЛЯ КОНКРЕТНЫХ ЦЕЛЕЙ или иные гарантии. Компания явным образом отказывается от всех подобных иных гарантий. Компания INFICON не несет ответственности сверх цены, уплаченной компании INFICON за прибор, плюс предоплаченная стоимость транспортировки. Компания INFICON не несет ответственности за случайные или косвенные убытки. Все подобные виды ответственности ИСКЛЮЧАЮТСЯ.

1	Przestrogi i ostrzeżenia	153
2	Specyfikacje.....	154
3	D-TEK 3	156
4	Ładowanie baterii	157
5	Włączanie przyrządu i przygotowywanie go do użycia	158
6	Tryb Pinpoint	158
7	Tryb Manual Zero	159
8	Słuchawki douszne i regulacja poziomu głośności.....	159
9	Usuwanie i instalowanie baterii litowo-jonowej	160
10	Usuwanie i instalowanie czujnika.....	161
11	Wymiana filtrów	162
12	Przedłużona sonda.....	163
13	Czujniki opcjonalne.....	164
14	Czyszczenie i przechowywanie.....	165
15	Części zamienne i akcesoria	165
16	Rozwiązywanie problemów	166
17	Gwarancja i ograniczenie odpowiedzialności	167

1 Przestrogi i ostrzeżenia

Przestrogi:

- Używaj wyłącznie certyfikowanej ładowarki/przewodu o parametrach wyjściowych 5 V (DC) $\pm 5\%$, 1 A $\pm 5\%$.
- Przechowuj urządzenie z dala od miejsc, w których panuje skrajnie wysoka lub niska temperatura.
- Nie narażaj baterii na działanie cieczy.
- Nie używaj urządzenia, jeśli doszło do uszkodzenia baterii.
- Nie rozmontowuj baterii ani nie modyfikuj jej.
- Używaj baterii i utylizuj je zgodnie z lokalnymi przepisami.
- Jeśli procedura ładowania nie zostanie dokończona, nawet w przypadku upływu wskazanego czasu ładowania, należy natychmiast ją przerwać.
- Nie pozostawiaj ładowanej baterii bez nadzoru.
- Odłącz ładowarkę, gdy bateria zostanie całkowicie naładowana.
- Nieprawidłowe użytkowanie lub utylizowanie baterii litowo-jonowych może prowadzić do powstania pożaru.
- W środowiskach o znacznym natężeniu fal radiowych może dojść do fałszywego alarmu.



OSTRZEŻENIE

Ten symbol informuje użytkownika o obecności ważnych wskazówek dotyczących działania i konserwacji (serwisowania).



OSTRZEŻENIE

Narażenie na wpływ stężonego CO₂ lub czynników chłodniczych jest niebezpieczne i może zagrażać życiu.

Przyrząd nie nadaje się do stosowania w środowiskach toksycznych lub niebezpiecznych. Przyrząd nie należy do środków ochrony osobistej ani ratunkowych. Podczas pracy w środowiskach potencjalnie toksycznych lub niebezpiecznych należy zachować daleko idącą ostrożność.



⚠️ OSTRZEŻENIE

Produkt nie jest nieiskrobezpieczny i nie należy go używać w obecności oparów lub pyłów wybuchowych i innych wybuchowych środków chemicznych. Użytkowanie w środowisku o stężeniu łatwopalnego czynnika chłodniczego bliskim LEL (dolnej granicy wybuchowości) może być przyczyną wybuchu lub pożaru, powodującego ciężkie obrażenia, śmierć lub szkody materialne.

2 Specyfikacje

Zastosowanie	wewnętrzny/zewnętrzny
Typ czujnika	podczerwień
Kompatybilne czynniki chłodnicze	
• Czujnik czynnika chłodniczego (standardowy, PN 724-701-G1)	Wszystkie związki CFC, HCFC, HFC, HFO i ich mieszaniny (w tym A2L)
• Czujnik CO ₂ (PN 724-701-G2)	R744 (dwutlenek węgla)
• Czujnik łatwopalnego czynnika chłodniczego (HC) (PN 724-701-G3)	R290, R600a, R441a (patrz wskazówki ostrzegawcze)
Czułość (testowana zgodnie z normą EN14624) ¹	
• R134a	0,04 uncji/rok (1 g/rok)
• R1234yf	0,02 uncji/rok (0,5 g/rok)
• R290	0,2 uncji/rok (5 g/rok)
• R744 (CO ₂)	0,07 uncji/rok (2 g/rok)
• Amoniak	0,1 uncji/rok (3 g/rok)
Typ baterii	litowo-jonowa
Typ gniazda ładowania	mikro USB
Czas ładowania (dla rozładowanej baterii)	około 3 godzin
Cykl eksploatacji baterii	około 9 godzin
Okres eksploatacji czujnika	Do 2000 godzin
Napięcie wejściowe	5 V (DC) ±5%
Natężenie prądu wejściowego	1 A ±5%
Czas rozruchu	45–90 s
Zakresy temperatury i wilgotność	
• Przechowywanie	-20–60°C (-4–140°F)
• Praca ²	-20–50°C (-4–122°F)
• Ładowanie	0–45°C (32–113°F)

• Wilgotność	Maks. 95% RH w warunkach normalnych
Wysokość n.p.m.	2000 m (6500 stóp)
Poziom zanieczyszczeń	2
Kategoria przepięć	2
Masa (z baterią; bez pokrowca i akcesoriów)	0,44 kg (0,97 funta)

¹ Dla uzyskania optymalnej wydajności i wskazanego poziomu czułości zaleca się, aby przyrząd D-TEK 3 przed użyciem został uruchomiony na 15 minut.

² Należy ograniczać używanie przyrządu w temperaturze poniżej 0°C (32°F). Przed użyciem przyrządu w niskiej temperaturze należy wydłużyć czas rozruchu.

Tabela danych technicznych, zgodnie z normą EN 14624:2020

	R134a	R1234yf	R744 (CO ₂)	Amoniak (R717)	R290
Min. czułość, brak ruchu (statyczna)	1 g/rok	0,5 g/rok	2 g/rok	3 g/rok	5 g/rok
Min. czułość, ruch (dynamiczna)	1 g/rok	1 g/rok	2 g/rok	3 g/rok	5 g/rok
Min. czas reakcji/ wykrywania	<1 s	<1 s	<1 s	<1 s	<1 s
Czas przywracania po narażeniu na stężenie x g/rok ³	7,6 s	6,4 s	13 s	4 s	4 s
Min. czułość w środowisku zanieczyszczonym	>2 g/rok	1 g/rok	>4 g/rok	3 g/rok	7 g/rok
Częstotliwość kalibracji	Sprawdzać co roku, uwzględniając normę kalibracji dla wycieków				

³x = R134a: 32 g/rok

R1234yf: 35 g/rok

R744 >50 g/rok

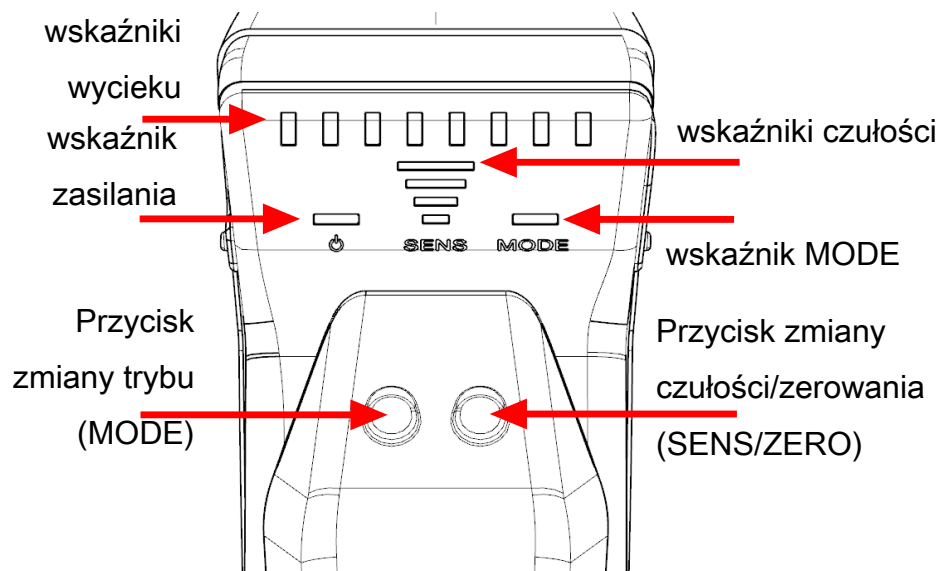
R717: 35 g/rok

R290: 30 g/rok

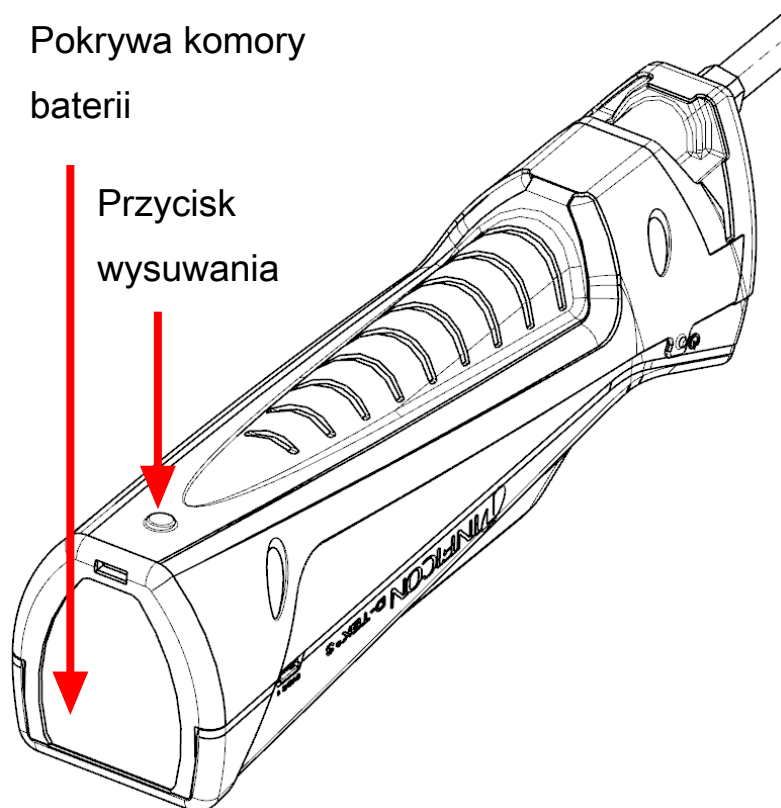
Patenty (oczekujące na zatwierdzenie)

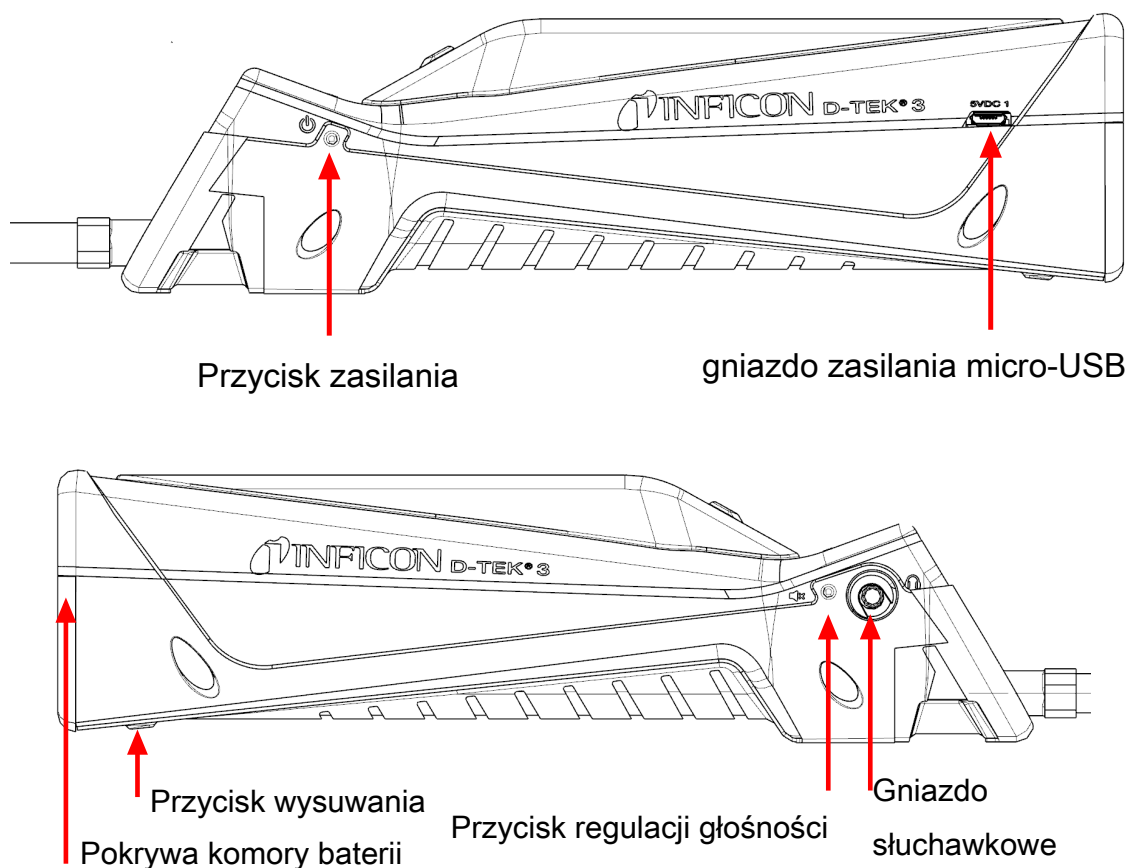
Wniosek nr 10 2018 208 826.8

3 D-TEK 3



Pokrywa komory baterii





4 Ładowanie baterii

D-TEK 3 wykorzystuje baterię litowo-jonową wielokrotnego użytku, która w chwili zakupu urządzenia jest częściowo naładowana. Firma INFICON zaleca doładowanie baterii przed jej użyciem. Korzystając z dołączonej do zestawu ładowarki lub stacji dokującej, można naładować baterię do poziomu 80% w ciągu około 2 godziny oraz do poziomu 100% w ciągu około 3 godzin. Całkowicie naładowana bateria na ogół wystarcza na mniej więcej 9 godzin godz. pracy urządzenia, w zależności od używanego trybu i temperatury roboczej. Wskaźnik zasilania informuje o poziomie naładowania baterii.

Kolor	% naładowania
Zielony	>30%
Pomarańczowy	10–29%
Czerwony	<10%



Urządzenia D-TEK 3 można używać podczas ładowania baterii.

5 Włączanie przyrządu i przygotowywanie go do użycia



Jeśli ekran nie włącza się, oznacza to, że poziom naładowania baterii jest niski i należy ją naładować. Urządzenia D-TEK 3 można używać podczas ładowania baterii.

- 1 Naciśnij i przytrzymaj przycisk zasilania (znajdujący się po lewej stronie obudowy przyrządu), aby **włączyć** lub **wyłączyć** urządzenie D-TEK 3.
 - ⇒ Uruchamianie urządzenia D-TEK 3 trwa od 45 do 90 sekund. Po uruchomieniu urządzenie D-TEK 3 jest gotowe do użycia.
- 2 Przełączanie pomiędzy trybami odbywa się za pomocą przycisku **MODE**. Przycisk ten umożliwia zmianę między trybami **Pinpoint** i **Manual Zero**.



Urządzenie D-TEK 3 uruchamia się w trybie, w którym było ostatnio używane.

6 Tryb Pinpoint

- 1 Umieść końcówkę urządzenia D-TEK 3 jak najbliższej miejsca potencjalnego wycieku (nie blokując przepływu powietrza).
- 2 Powoli przemieść sondę obok każdego miejsca potencjalnego wycieku.
 - ⇒ Jeśli zostanie wykryty wyciek, urządzenie D-TEK 3 uruchomi alarm i zaświecą się wskaźniki.
- 3 Po wykryciu wycieku odsuń sondę na kilka sekund od wycieku, a następnie umieść ją ponownie w tym miejscu, aby zweryfikować wyciek.



W trybie **Pinpoint** urządzenie D-TEK 3 automatycznie jest zerowane do stężenia chłodziwa w otoczeniu i uruchamia alarm tylko w przypadku wzrostu tej wartości. Jeśli to nastąpi, wyszukaj wyższe stężenie chłodziwa lub przejdź z sondą do obszaru niższego stężenia na kilka sekund, aby zresetować punkt zerowy.



Naciśnij przycisk **SENS/ZERO**, aby przełączyć ustawienia czułości. W przypadku większego wycieku wskazanie jego źródła może być łatwiejsze za pomocą ustawień niższej czułości. Bieżąca czułość jest wskazana przez wskaźniki czułości (SENS).

7 Tryb Manual Zero

Tryb **Manual Zero** działa podobnie do trybu **Pinpoint**, ale jest identyfikowany przez powolnie migający wskaźnik **MODE**. W trybie **Manual Zero** użytkownik może ręcznie zerować urządzenie do stężenia chłodziwa w otoczeniu, naciskając przycisk **SENS/ZERO**. Po ustawieniu nowego punktu zerowego urządzenie D-TEK 3 nie uruchomi alarmu, o ile nie zostanie wykryte wyższe stężenie chłodziwa.

W trybie **Manual Zero** urządzenie szybciej emituje sygnał alarmowy przy punkcie zero niż w innych trybach. Jeśli stężenie będzie niższe od bieżącego punktu zerowego, sygnał alarmowy zwolni. Dzięki temu użytkownik dowiaduje się o tym, czy oddala się od źródła wycieku, nasłuchując zmiany w prędkości sygnalizacji.



W trybie **Manual Zero** ustawienie czułości jest niedostępne.



Tryb **Manual Zero** wymaga dodatkowego czasu uruchomienia, maks. 15 minut, dla uzyskania maksymalnej wydajności.

8 Słuchawki douszne i regulacja poziomu głośności

Z prawej strony urządzenia D-TEK 3 znajduje się złącze słuchawkowe do nasłuchiwania dźwięków alarmowych przez słuchawki lub słuchawki douszne.



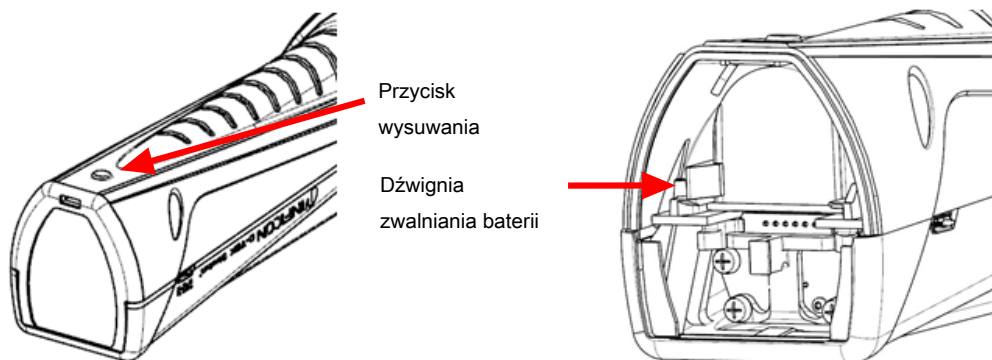
OSTRZEŻENIE

W przypadku słuchawek innych niż dostarczone przez firmę INFICON, należy je ostrożnie przetestować, aby uniknąć uszkodzenia słuchu.

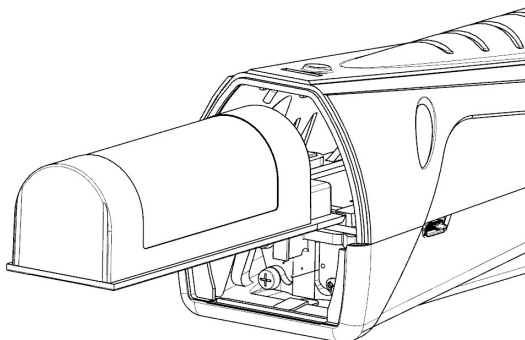
Przycisk regulacji głośności znajduje się obok gniazda słuchawkowego. Naciśnij przycisk regulacji głośności, aby przełączyć poziom głośności ze 100% na 50% lub wyciszyć urządzenie całkowicie. Domyślny poziom głośności przy uruchomieniu wynosi 100%. Gdy słuchawki lub słuchawki douszne są podłączone, głośność przełącza się między ustawieniem 100% i wyciszeniem.

9 Usuwanie i instalowanie baterii litowo-jonowej

- 1 Naciśnij przycisk wysuwania z tyłu urządzenia D-TEK 3 i zdejmij pokrywę komory baterii.



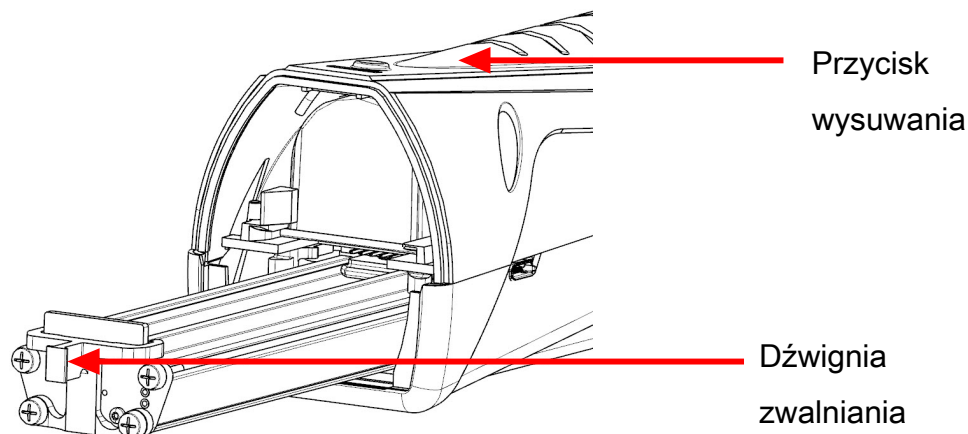
- 2 Wyjmij baterię, przesuwając dźwignię zwalniania baterii do boku, tak aby bateria wysunęła się z komory. Wysuń baterię.
- 3 Wyrównaj położenie baterii względem przewodnic.



- 4 Delikatnie pchnij baterię wzdłuż przewodnic do załączenia się dźwigni zwalniania baterii.
 - ⇒ Nie wpychaj baterii na siłę. Jeśli bateria nie przesuwana się swobodnie, sprawdź jej położenie i spróbuj ponownie.
- 5 Ponownie zamocuj pokrywę komory baterii.

10 Usuwanie i instalowanie czujnika

Urządzenie D-TEK 3 wykorzystuje czujnik w postaci wkładu, który można szybko i łatwo wyjmować i instalować w terenie. Oprócz wersji standardowej firma INFICON oferuje czujnik CO₂ do użycia w aplikacjach chłodniczych i klimatyzacyjnych. Patrz Części zamienne i akcesoria [▶ 165].

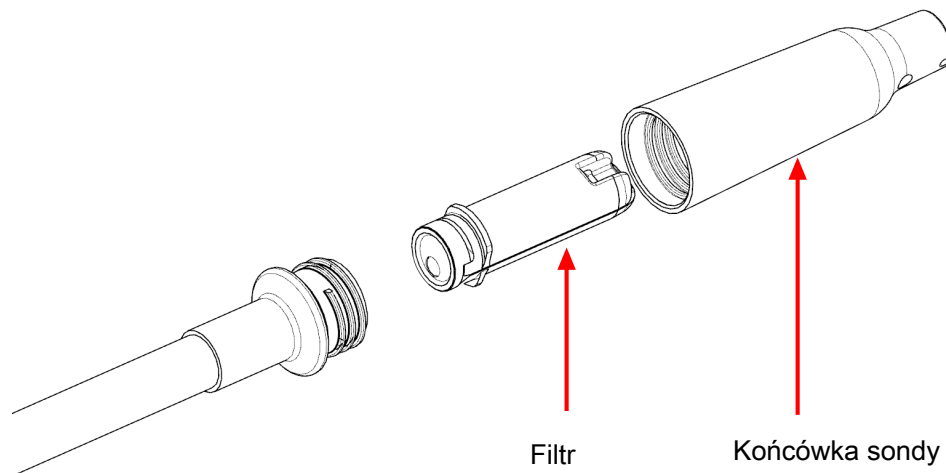


Aby wymienić czujnik:

- 1** Naciśnij przycisk wysuwania z tyłu urządzenia D-TEK 3 i zdejmij pokrywę komory baterii.
- 2** Chwyć dźwignię zwalniania czujnika i delikatnie ją pociągnij.
- 3** Wyrównaj położenie nowego czujnika względem prowadnic.
- 4** Delikatnie pchnij czujnik wzdłuż prowadnic, tak aby znalazł się na swoim miejscu.
⇒ Nie wpychaj czujnika na siłę. Jeśli czujnik nie przesuwają się swobodnie, sprawdź jego położenie i spróbuj ponownie.
- 5** Ponownie zamocuj pokrywę komory baterii.

11 Wymiana filtrów

Urządzenie D-TEK 3 wykorzystuje filtr hydrofobowy, który oddziela powietrze i chłodziwo od wody, zanieczyszczeń i smarów. Sprawdź stan białego materiału, aby określić, czy filtr wymaga wymiany. Jeśli kolor materiału uległ zmianie, zainstaluj nowy filtr. Wymiana filtra to również prosta czynność naprawcza na wypadek, gdyby wykrywacz wycieków nieprawidłowo wykrywał chłodziwo. Zatkany filtr powietrza może ograniczyć przepływ powietrza próbki.



Narażenie filtra na wodę lub olej może zablokować przepływ powietrza. Jeśli tak się stanie, usuń filtr z sondą skierowaną w dół, aby uniknąć przedostania się zanieczyszczeń do sondy, i zainstaluj nowy filtr. Jeśli dojdzie do zamoczenia filtra, można go użyć ponownie po wyschnięciu.



⚠ UWAGA

Nigdy nie należy używać przyrządu bez sondy i filtra.

Aby wymienić filtr:

- 1 Odkręć końcówkę sondy i wyjmij filtr.
- 2 Włóż nowy filtr do sondy.
- 3 Nakręć końcówkę sondy. Nie dociskaj zbyt mocno.

12 Przedłużona sonda

Dodatkowa przedłużona sonda zapasowa może być używana do wykrywania wycieków w trudno dostępnych miejscach.

Aby zainstalować przedłużoną sondę:

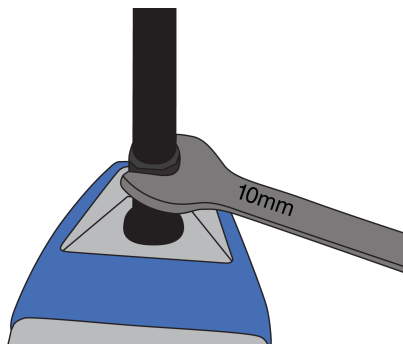
- 1 Odkręcić standardową sondę od korpusu D-TEK 3 za pomocą klucza 10 mm.
- 2 Przykręć przedłużoną sondę, używając momentu 35 cal-funt (4 N·m). Nie dociskaj zbyt mocno.
- 3 Odkręć końcówkę sondy od standardowej sondy i usuń filtr (lub użyj nowego).
- 4 Wsuń filtr do przedłużonej sondy.
- 5 Nakręć końcówkę sondy na przedłużoną sondę. Nie dociskaj zbyt mocno.



UWAGA

Zawsze demontować sondę za pomocą klucza 10 mm przy podstawie sondy.

Odkręcanie sondy w sposób inny niż podany może spowodować uszkodzenie sondy.



13 Czujniki opcjonalne

Dostępne są czujniki opcjonalne do wykrywania CO₂ (PN 724-701-G2) lub łatwopalnego czynnika chłodniczego (PN 724-701-G3). Aby korzystać z czujnika CO₂ lub czujnika łatwopalnego czynnika chłodniczego, należy zdemontować standardowy czujnik i zainstalować nowy, zgodnie z instrukcjami zamieszczonymi w części Usuwanie i instalowanie czujnika [▶ 161]. D-TEK 3 automatycznie rozpoznaje typ czujnika, a wskaźnik **TRYB** świeci się w odpowiednim kolorze, sygnalizując typ zamontowanego czujnika przez cały okres jego pracy. Kolor zielony oznacza, że zamontowany jest czujnik CO₂, kolor czerwony – czujnik łatwopalnego czynnika chłodniczego, a pomarańczowy – standardowy czujnik czynnika chłodniczego.



Jeśli D-TEK 3 nie rozpozna automatycznie czujnika łatwopalnego czynnika chłodniczego, należy skontaktować się z firmą INFICON w celu zorganizowania aktualizacji oprogramowania.



Czujnik łatwopalnego czynnika chłodniczego nie wykrywa wodoru, w tym gazów wodorotwórczych.



Zaleca się, aby podczas wyszukiwania upływów CO₂ nosić respirator lub maskę zapobiegającą wydychaniu CO₂ w stronę sondy.



⚠ OSTRZEŻENIE

Narażenie na wpływ stężonego CO₂ lub czynników chłodniczych jest niebezpieczne i może zagrażać życiu.

Przyrząd nie nadaje się do stosowania w środowiskach toksycznych lub niebezpiecznych. Przyrząd nie należy do środków ochrony osobistej ani ratunkowych. Podczas pracy w środowiskach potencjalnie toksycznych lub niebezpiecznych należy zachować daleko idącą ostrożność.



⚠ OSTRZEŻENIE

Produkt nie jest nieiskrobezpieczny i nie należy go używać w obecności oparów lub pyłów wybuchowych i innych wybuchowych środków chemicznych. Użytkowanie w środowisku o stężeniu łatwopalnego czynnika chłodniczego bliskim LEL (dolnej granicy wybuchowości) może być przyczyną wybuchu lub pożaru, powodującego ciężkie obrażenia, śmierć lub szkody materialne.

14 Czyszczenie i przechowywanie

Urządzenie D-TEK 3 można czyścić za pomocą łagodnego detergentu lub alkoholu izopropylowego. Należy zachować ostrożność, aby środek czyszczący nie dostał się do wnętrza przyrządu. Nie używać do czyszczenia benzyny, acetonu ani innych agresywnych rozcieńczalników, ponieważ mogłyby uszkodzić tworzywo lub wyświetlacz.

15 Części zamienne i akcesoria

Wymienne etui do przenoszenia	721-700-G1
słuchawki douszne	721-607-G1
ładowarka samochodowa 12 V (DC)	721-605-G1
ładowarka sieciowa AC (w tym wtyczki dla różnych regionów)	721-606-G1
bateria litowo-jonowa	721-702-G1
stacja dokująca baterii	721-610-G1
kombinacja ładowarki ze stacją dokującą baterii	721-604-G1
Standardowy czujnik (wykrywa czynniki chłodnicze CFC, HCFC, HFC, HFO i mieszaniny (w tym A2L)	724-701-G1
czujnik CO ₂	724-701-G2
Czujnik łatwopalnego czynnika chłodniczego (HC)	724-701-G3
wkłady filtra (5 szt.)	712-707-G1
zamienna zaślepka sondy	712-705-G1
Przedłużenie sondy igłowej	721-612-G1
przedłużona sonda	721-611-G1
próba szczelności TEK-Check R134a	703-080-G10

16 Rozwiązywanie problemów

Problem	Przyczyna	Rozwiązanie
Wskaźnik zasilania miga szybko na czerwono.	Wystąpił błąd baterii. Może to wynikać z awarii baterii lub nieprawidłowej instalacji baterii bądź też nieprawidłowego połączenia.	Usuń i ponownie zainstaluj baterię. Jeśli problem będzie się powtarzał, wymień baterię. Patrz Usuwanie i instalowanie baterii litowo-jonowej [▶ 160].
	Temperatura baterii wynosi więcej lub mniej niż zalecany zakres, dlatego może ładować się nieprawidłowo.	Pozwól na powrót baterii do normalnej temperatury.
Migają wszystkie wskaźniki wycieków.	Wystąpił błąd czujnika. Może to wynikać z awarii czujnika lub nieprawidłowej instalacji czujnika bądź też nieprawidłowego połączenia.	Usuń i ponownie zainstaluj czujnik. Jeśli problem będzie się powtarzał, wymień czujnik. Patrz Usuwanie i instalowanie czujnika [▶ 161].
Wskaźniki nie włączają się po naciśnięciu i przytrzymaniu przycisku zasilania.	Poziom naładowania baterii jest krytycznie niski.	Naładuj baterię lub podłącz urządzenie do ładowarki.
Urządzenie się włącza, ale nie wykrywa chłodziwa.	Urządzenie nie zakończyło procedury uruchamiania.	Odczekaj na zakończenie rozruchu. Potrwa to od 45 do 90 sekund.
	Filtr jest zatkany, co ogranicza przepływ powietrza.	Wymień filtr. Patrz Wymiana filtrów [▶ 162].
	Pompa nie działa.	Posłuchaj odgłosów pompy. Jeśli pompa nie emituje dźwięku, a bateria jest prawidłowo naładowana, należy skontaktować się z firmą INFICON.

Problem	Przyczyna	Rozwiązanie
	Ustawiono zbyt niską czułość (tylko tryb Pinpoint).	Sprawdź poziom czułości. W przypadku bardzo małych wycieków należy używać ustawień Wysoki lub Super .
	Zainstalowany jest nieprawidłowy czujnik.	Sprawdzić, czy używany jest prawidłowy czujnik (czujnik chłodziwa lub CO ₂).
Urządzenie uruchamia alarm pomimo czystego powietrza otoczenia.	Zainstalowany jest nieprawidłowy czujnik.	Sprawdzić, czy zainstalowany jest czujnik chłodziwa, a nie czujnik CO ₂ .
Pompa nie emituje dźwięków.	Pompa nie działa.	Jeśli bateria jest prawidłowo naładowana, skontaktować się z firmą INFICON.

17 Gwarancja i ograniczenie odpowiedzialności

INFICON gwarantuje, że Twój D-TEK 3 wykrywacz nieszczelności czynnika chłodniczego jest wolny od wad materiałowych i produkcyjnych przez jeden lub dwa lata (w zależności od regionu) od daty zakupu. Firma INFICON nie obejmuje gwarancją elementów zestawu, których stan ulega pogorszeniu w wyniku normalnego użytkowania, w tym baterii, czujników i filtrów. Ponadto INFICON nie obejmuje gwarancją przyrządów, które były nieprawidłowo używane, zaniedbywane lub brały udział w wypadku bądź zostały naprawione lub zmodyfikowane przez podmiot inny niż INFICON. Odpowiedzialność INFICON ogranicza się do przyrządów zwróconych do INFICON, ze wstępnie opłaconym transportem, nie później niż w ciągu trzydziestu (30) dni od wygaśnięcia okresu gwarancji, pod warunkiem że INFICON stwierdzi awarię przyrządu z powodu wad materiałowych lub wykonawstwa. Odpowiedzialność firmy INFICON jest ograniczona, według jej własnego uznania, do naprawy lub wymiany wadliwego przyrządu lub jego części. Niniejsza gwarancja zastępuje wszelkie pozostałe gwarancje, wyraźne lub dorozumiane, dotyczące między innymi PRZYDATNOŚCI DO OKREŚLONEGO CELU LUB PRZYDATNOŚCI HANDLOWEJ. Wszystkie pozostałe gwarancje są wyraźnie wyłączone. Firma INFICON nie ponosi odpowiedzialności za kwotę przekraczającą płatność uiszczoną na rzecz INFICON za

przyrząd oraz wstępnie opłacony transport zwracanego urządzenia. Firma INFICON nie ponosi odpowiedzialności za jakiegokolwiek przypadkowe lub wynikowe szkody. Cała tego rodzaju odpowiedzialność jest WYŁĄCZONA.

1	Försiktighets- och varningsanvisningar	172
2	Specifikationer.....	173
3	D-TEK 3	175
4	Ladda batteriet.....	176
5	Starta instrumentet och förbereda det för användning	177
6	Läget Pinpoint	177
7	Läget Manual Zero.....	178
8	Reglage för hörlurar och volym	178
9	Ta ut och installera litiumjonbatteriet	179
10	Ta bort och installera sensorn	180
11	Byta filter.....	181
12	Extralång sond	182
13	Valbara sensorer	183
14	Rengöring och förvaring	184
15	Reservdelar och tillbehör	184
16	Felsökningsguide.....	185
17	Garanti- och ansvarsbegränsning	186

1 Försiktighets- och varningsanvisningar

Försiktighetsanvisningar:

- Använd endast en certifierad laddare/sladd med en uteffekt på 5 V (likström) $\pm 5\%$, 1 A $\pm 5\%$.
- Exponera inte enheten för extremt hög eller extremt låg temperatur.
- Exponera inte batteriet för vätskor.
- Använd inte enheten om du upptäcker skador i batteriet.
- Demontera eller modifiera inte batteriet.
- Hantera och kassera batteriet enligt lokala bestämmelser.
- Sluta omedelbart att ladda batteriet om det inte är fulladdat även efter att den angivna uppladdningstiden har förflutit.
- Lämna inte batteriet utan tillsyn medan det laddas.
- Koppla ur laddaren när batteriet är fulladdat.
- Felaktig användning eller kassering av litiumjonbatterier kan orsaka brand.
- Miljöer med höga radiofrekvenser kan utlösa falska larm.



VARNING

Den här symbolen gör användaren uppmärksam på viktiga anvisningar för drift och underhåll (service).



VARNING

Att exponeras för hög koncentration av CO₂ eller köldmedel är farligt och kan vara livshotande.

Instrumentet är inte säkert att använda i giftiga eller riskfyllda miljöer. Det är inte en personlig skyddsutrustning eller en enhet som räddar liv. Var alltid mycket försiktig i miljöer som kan vara giftiga eller riskfyllda.



VARNING

Denna produkt är inte egensäker och ska inte användas där det finns explosiva ångor, explosivt damm eller andra explosiva kemikalier. Användning i en miljö med brandfarlig köldmedelskoncentration nära den undre explosionsgränsen kan leda till en explosion eller brand som resulterar i allvarlig skada, död eller skada på egendom.

2 Specifikationer

Användning	inomhus/utomhus
Sensortyp	infraröd
Kompatibla köldmedel	
<ul style="list-style-type: none"> • Köldmedelssensor (standard PN 724-701-G1) 	alla CFC:er, HCFC:er, HFC:er, HFO:er och blandningar (inklusive A2L:er)
<ul style="list-style-type: none"> • CO₂-sensor (PN 724-701-G2) 	R744 (koldioxid)
<ul style="list-style-type: none"> • Sensor för brandfarligt köldmedel (HC) (PN 724-701-G3) 	R290, R600a, R441a (se säkerhetsvarningar)
Känslighet (testat enligt standard EN14624) ¹	
<ul style="list-style-type: none"> • R134a 	1 g/år (0,04 ounce/år)
<ul style="list-style-type: none"> • R1234yf 	0,5 g/år (0,02 ounce/år)
<ul style="list-style-type: none"> • R290 	5 g/år (0,2 ounce/år)
<ul style="list-style-type: none"> • R744 (CO₂) 	2 g/år (0,07 ounce/år)
<ul style="list-style-type: none"> • Ammoniak 	3 g/år (0,1 ounce/år)
Batterityp	litiumjon
Typ av laddningång	micro-USB
Uppladdningstid (med start vid 0 %)	cirka 3 timmar
Batterilivslängd	cirka 9 timmar
Sensornlivslängd	Upp till 2 000 h
Inspänning	5 V (likström) ±5 %
Inström	1 A ±5 %
Uppvärmningsperiod	45–90 sekunder
Temperatur- och luftfuktighetsområden	
<ul style="list-style-type: none"> • Förvaring 	-20–60 °C (-4–140 °F)
<ul style="list-style-type: none"> • Drift² 	-20–50 °C (-4–122 °F)
<ul style="list-style-type: none"> • Uppladdning 	0–45 °C (32–113 °F)
<ul style="list-style-type: none"> • Luftfuktighet 	maximalt 95 % RH NC
Altitud	2 000 m (6 500 ft.)
Föroreningsgrad	2
Överspänningskategori	2
Vikt (med batteri, ej inkluderat fodral eller tillbehör)	0,44 kg (0,97 lb)

¹ För att optimala prestanda och angivna känsligheter ska uppnås rekommenderar vi att du låter D-TEK 3 vara igång i 15 minuter innan du använder den.

² Användning i temperaturer som är lägre än 0 °C (32 °F) bör begränsas. Förlängd uppvärmningstid rekommenderas innan användning i låga temperaturer.

Specifikationstabell i överensstämmelse med EN 14624:2020

	R134a	R1234yf	R744 (CO ₂)	Ammoniak (R717)	R290
Min. känslighet, orörlig (statisk)	1 g/år	0,5 g/år	2 g/år	3 g/år	5 g/år
Min. känslighet, rörlig (dynamisk)	1 g/år	1 g/år	2 g/år	3 g/år	5 g/år
Min. svarstid/ detektionstid	< 1 sek.	< 1 sek.	< 1 sek.	< 1 sek.	< 1 sek.
Återhämtningstid för exponering som är x g/ år ³	7,6 sek.	6,4 sek.	13 sek.	4 sek.	4 sek.
Min. känslighet i förorenad miljö	> 2 g/år	1 g/år	> 4 g/år	3 g/år	7 g/år
Kalibreringsfrekvens	Kontrollera årligen kalibrerad läckagestandard				

³x = R134a: 32 g/år

R1234yf: 35 g/år

R744: > 50 g/år

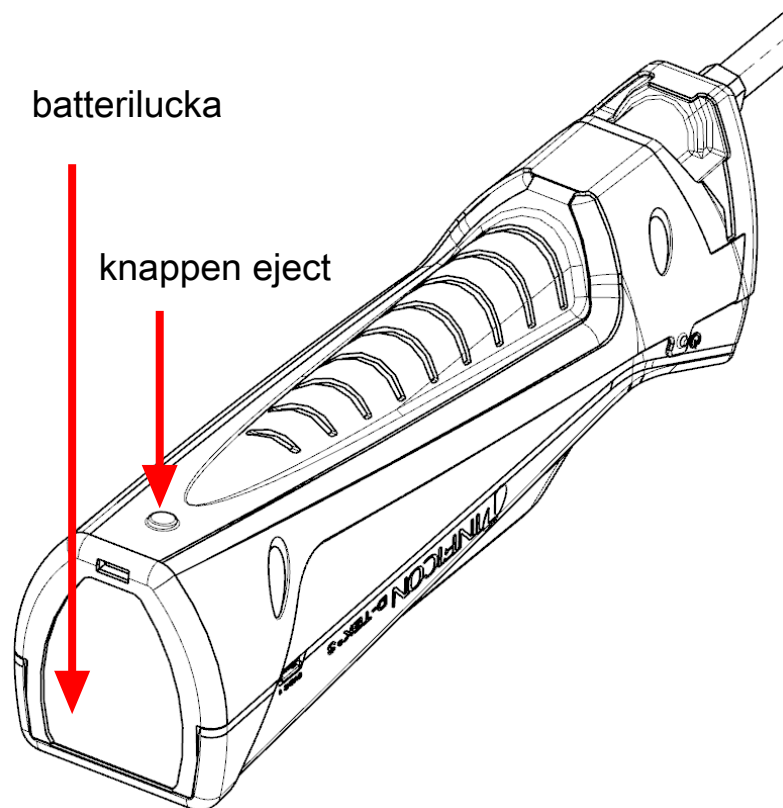
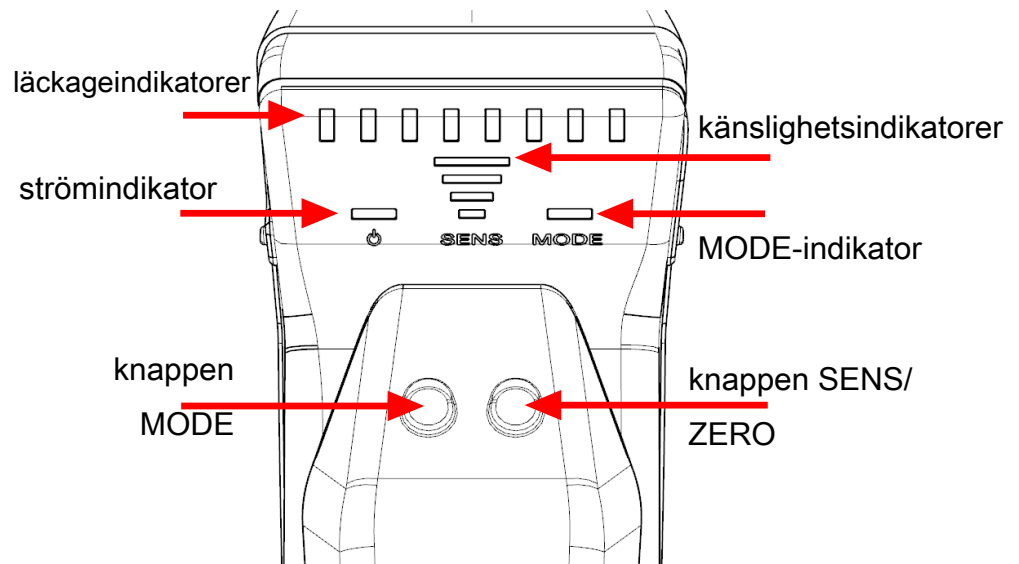
R717: 35 g/år

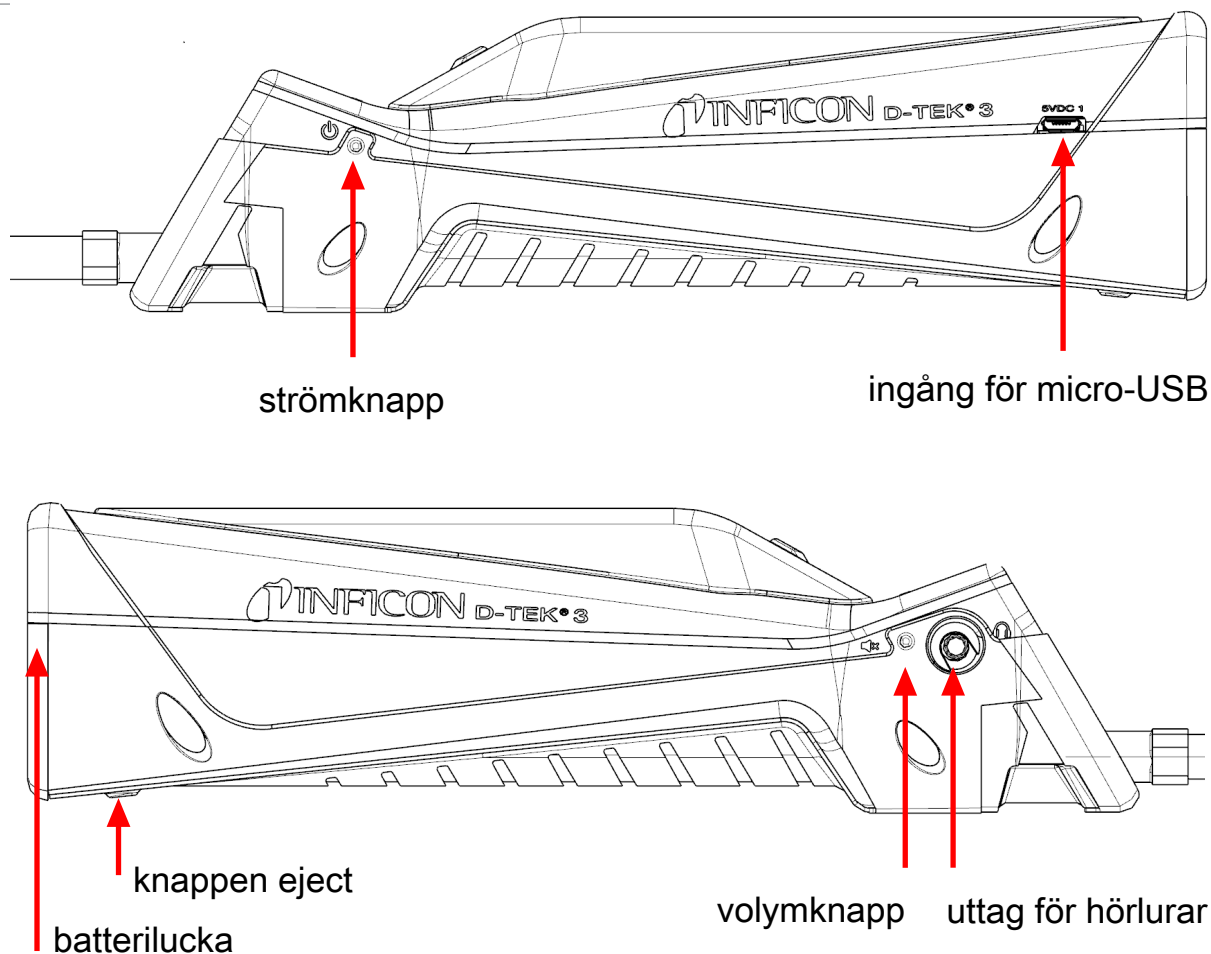
R290: 30 g/år

**Patent (under
behandling)**

Tillämpning nr 10 2018 208 826.8

3 D-TEK 3





4 Ladda batteriet

D-TEK 3 använder ett uppladdningsbart litiumjonbatteri som levereras delvis laddat. INFICON rekommenderar uppladdning av batteriet före användning. Med den medföljande laddaren eller laddningsdockan (tillbehör) kan du ladda ett dött batteri till 80 % inom cirka 2 timmar och 100 % inom cirka 3 timmar. En full laddning räcker normalt i 9 timmar under drift, beroende på drifttemperaturen. En strömindikator visar hur många procent av batteriet som återstår.

Färg	% laddning
Grön	>30 %
Orange	10–29%
Röd	<10 %



D-TEK 3 kan användas medan den laddas.

5 Starta instrumentet och förbereda det för användning



Om skärmen inte aktiveras innebär det att batteriet nästan är urladdat och behöver laddas igen. D-TEK 3 kan användas medan den laddas.

- 1 Tryck länge på strömknappen (som sitter på vänster sida på instrumentets stomme) för att slå **På** eller **Av** D-TEK 3.
 - ⇒ D-TEK 3 börjar uppvärmningen som pågår mellan 45 och 90 sekunder. När uppvärmningen har slutförts är D-TEK 3 klar att använda.
- 2 Tryck in knappen **MODE** för att växla läge. Då växlar du mellan lägena <b / >**Pinpoint** och **Manual Zero**.



D-TEK 3 startar alltid i det senast använda läget.

6 Läget Pinpoint

- 1 Placera spetsen på D-TEK 3 så nära den misstänkta läckan som möjligt (blockera inte luftflödet).
- 2 För långsamt spetsen förbi alla misstänkta läckagepunkter.
 - ⇒ Om en läcka upptäcks larmar D-TEK 3 och läckageindikatorerna tänds.
- 3 När ett läckage identifieras ska du avlägsna spetsen från läckaget i några sekunder och sedan kontrollera platsen igen för att verifiera läckaget.



I läget **Pinpoint** nollställs D-TEK 3 automatiskt till koncentrationen av köldmedel i bakgrundsluften och larmar endast igen om en högre koncentration av köldmedel upptäcks. När detta inträffar kan du antingen fortsätta leta efter en högre koncentration av köldmedel eller föra spetsen till en yta där koncentrationen av köldmedel är lägre och avvakta i några sekunder för att återställa nollpunkten.



Tryck in knappen **SENS/ZERO** för att byta känslighetsinställning. Det kan vara enklare att lokalisera en läckagepunkt för ett större läckage om du använder en lägre känslighetsinställning. Den aktuella känsligheten anges av känslighetsindikatorn (SENS).

7 Läget Manual Zero

Manual Zero-läget verkar på liknande sätt som **Pinpoint**-läget, men identifieras av att **MODE**-indikatorn blinkar långsamt. I läget **Manual Zero** kan användaren manuellt nollställa till köldmedlet i bakgrundsluften genom att trycka på knappen **SENS/ZERO**. När den nya nollpunkten har ställts in larmar D-TEK 3 först när en högre köldmedelskoncentration upptäcks.

Ljudsignalen i läget för **Manual Zero** avges med kortare intervaller vid nollpunkten jämfört med andra lägen. Ljudsignalen saktar ned om koncentrationen är lägre än den aktuella nollpunkten. Detta gör att användaren kan veta om denne rör sig bort från läckaget genom att lyssna efter en förändring i pipstigheten.



Det finns ingen känslighetsinställning i läget **Manual Zero**.



Läget **Manual Zero** kräver en extra uppvärmningstid på upp till 15 minuter för optimala prestanda.

8 Reglage för hörlurar och volym

Det finns ett hörlursuttag på höger sida av D-TEK 3 så att du kan lyssna på ljudlarmen via hörlurar eller in-ear-lurar.



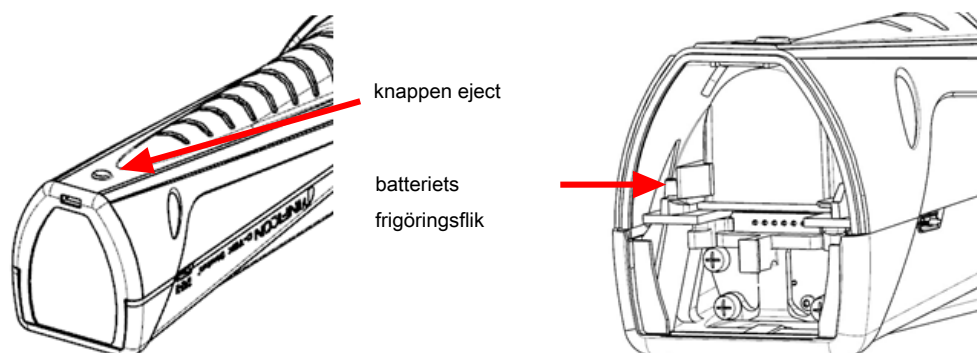
VARNING

Om du försöker använda hörlurar som inte levereras av INFICON, ska du se till att testa dem noggrant för att undvika hörselskador.

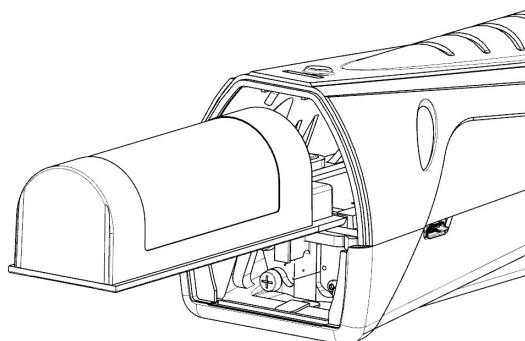
Det finns en volymknapp intill hörlursuttaget. Tryck in volymknappen för att växla från 100 % volym till 50 % volym eller för att stänga av ljudet. Standardvolymen vid start är 100 %. När hörlurarna är inkopplade växlar volymen mellan 100 % volym och ljudlöst.

9 Ta ut och installera litiumjonbatteriet

- 1 Tryck in eject baktill på D-TEK 3 och ta av batteriluckan.



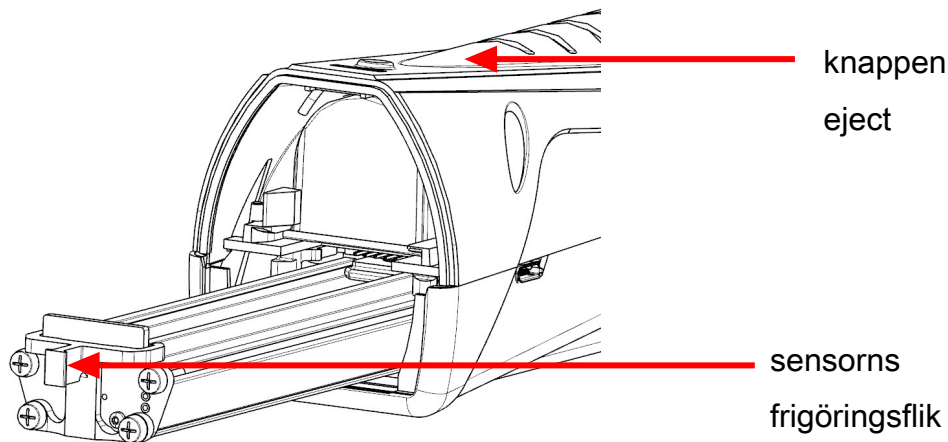
- 2 Ta ut batteriet genom att föra dess frigöringsflik åt sidan tills batteriet börjar matas ut. Skjut ut batteriet.
- 3 Rikta in batteriet med skenorna.



- 4 Tryck försiktigt batteriet längs skenorna tills frigöringsfliken snäpps fast.
⇒ Tvinga inte in batteriet. Kontrollera inriktningen och försök igen om det tar emot när du försöker föra in batteriet.
- 5 Sätt tillbaka batteriluckan.

10 Ta bort och installera sensorn

D-TEK 3 använder en kassettsensor som snabbt och enkelt kan avlägsnas och bytas ut under drift. Utöver standardsensorn erbjuder INFICON en CO₂-sensor för användning i kylnings- och luftkonditioneringstillämpningar. Se Reservdelar och tillbehör [► 184].

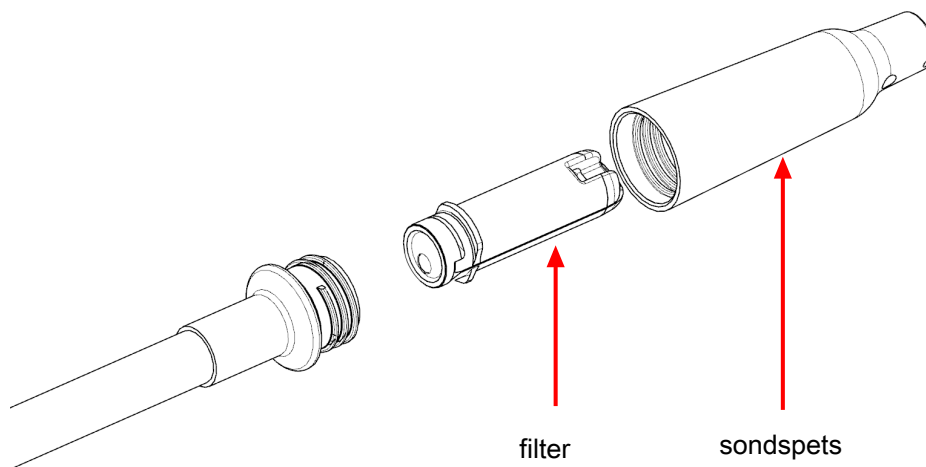


För att byta ut sensorn:

- 1 Tryck in eject baktill på D-TEK 3 och ta av batteriluckan.
- 2 Ta tag i sensorns frigöringsflik och dra ut den försiktigt.
- 3 Inrikta den nya sensorn med skenorna.
- 4 Tryck sensorn försiktigt längs skenorna tills den är helt monterad.
⇒ Tvinga inte in sensorn. Kontrollera inriktningen och försök igen om det tar emot när du försöker föra in sensorn
- 5 Sätt tillbaka batteriluckan.

11 Byta filter

D-TEK 3 använder ett hydrofobfilter av kassettyp som låter luft och köldmedier passera genom det samtidigt som vatten, smuts och olja filtreras ut. Undersök den vita duken för att fastställa om filtret behöver bytas ut. Installera ett nytt filter om duken är missfärgad. Att byta ut filtret är dessutom ett enkelt felsökningssteg om du misstänker att din läckagedetektor inte fungerar korrekt. Ett tilltäppt luftfilter kan begränsa provluftsfloppet.



Luftflödet kan blockeras om filtret exponeras för vatten eller olja. Om detta inträffar ska du avlägsna filtret med sonden riktad nedåt för att undvika att sonden förorenas och sedan installera ett nytt filter. Ett blött filter kan återanvändas efter att det har torkat.



⚠ FÖRSIKTIGHET

Använd aldrig instrumentet utan en sondspets och ett filter.

För att byta ut filtret:

- 1 Skruva bort sondspetsen och avlägsna filtret.
- 2 För in det nya filtret i sonden.
- 3 Skruva fast sondspetsen. Dra inte åt för hårt.

12 Extralång sond

Den extralånga ersättningssonden som finns som tillval kan användas för läckagekontroll i svåråtkomliga områden.

För att installera den extralånga sonden:

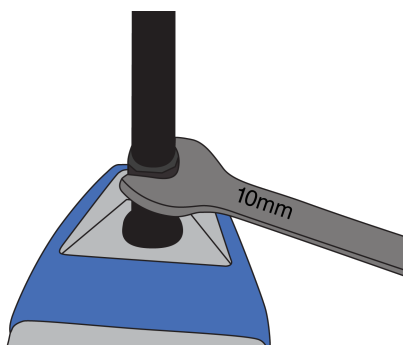
- 1 Skruva loss standardsonden från D-TEK 3-kroppen med hjälp av en nyckel på 10 mm.
- 2 Skruva fast den extralånga sonden till cirka 4 N m (35 in lbs). Dra inte åt för hårt.
- 3 Skruva av sondspetsen från standardsonden och avlägsna filtret (eller använd ett nytt).
- 4 För in det nya filtret i den extralånga sonden.
- 5 Skruva fast sondspetsen i den extralånga sonden. Dra inte åt för hårt.



⚠ FÖRSIKTIGHET

Ta alltid bort sonden med en nyckel på 10 mm, längst ner på sonden.

Om sonden lossas på något annat sätt kan den skadas.



13 Valbara sensorer

Valbara sensorer finns tillgängliga för användning i applikationer med CO₂ (PN 724-701-G2) eller brandfarligt köldmedel (PN 724-701-G3). För att använda sensorn för CO₂ eller brandfarligt köldmedel, ta bort standardsensorn och installera den nya sensorn genom att följa instruktionerna i Ta bort och installera sensorn [► 180]. D-TEK 3 känner automatiskt igen sensortypen och **MODE**-indikatorn lyser upp i lämplig färg för att indikera sensortypen under hela tiden sensorn är installerad. Grön indikerar CO₂, röd indikerar brandfarligt köldmedel och orange indikerar att standardsensorn för köldmedel är installerad.



Om D-TEK 3 inte automatiskt känner igen din sensor för brandfarligt köldmedel, kontakta INFICON för att ordna ett programvarutest.



Sensorn för brandfarligt köldmedel detekterar inte väte, inklusive skyddsgas innehållande kväve.



Om du letar efter CO₂-läckor rekommenderas det att du bär en gasmask eller andningsmask för att undvika att andas ut CO₂ mot sonden.



VARNING

Att exponeras för hög koncentration av CO₂ eller köldmedel är farligt och kan vara livshotande.

Instrumentet är inte säkert att använda i giftiga eller riskfyllda miljöer. Det är inte en personlig skyddsutrustning eller en enhet som räddar liv. Var alltid mycket försiktig i miljöer som kan vara giftiga eller riskfyllda.



VARNING

Denna produkt är inte egensäker och ska inte användas där det finns explosiva ångor, explosivt damm eller andra explosiva kemikalier. Användning i en miljö med brandfarligt köldmedelskoncentration nära den undre explosionsgränsen kan leda till en explosion eller brand som resulterar i allvarlig skada, död eller skada på egendom.

14 Rengöring och förvaring

D-TEK 3 kan rengöras med ett mildt rengöringsmedel eller isopropylalkohol. Se till att inget rengöringsmedel tränger in i instrumentet. Rengör inte med bensin, aceton eller andra starka lösningsmedel som kan skada plastkomponenterna eller displayen.

15 Reservdelar och tillbehör

Reservfodral	721-700-G1
Hörlurar	721-607-G1
12 V (likström) billaddare	721-605-G1
Väggaddare växelström (inklusive pluggar för flera regioner)	721-606-G1
Litiumjonbatteri	721-702-G1
Batteriladdningsdocka	721-610-G1
Kombination av batteri och laddningsdocka	721-604-G1
Standardsensor (detekterar CFC, HCFC, HFC, HFO och blandningar (inklusive A2L))	724-701-G1
CO ₂ -sensor	724-701-G2
Sensor för brandfarligt köldmedel (HC)	724-701-G3
Filterpatroner (5 st.)	712-707-G1
Reservsondlock	712-705-G1
Nålsondförlängning	721-612-G1
Extra lång sond	721-611-G1
TEK-Check R134a läckageprovning	703-080-G10

16 Felsökningsguide

Problem	Orsak	Åtgärd
Strömindikatorn blinkar snabbt rött.	Ett batterifel har inträffat. Detta kan orsakas av ett trasigt batteri eller av att batteriet är felaktigt installerat eller har dålig anslutning.	Ta ut och installera om batteriet. Sätt i ett nytt batteri om problemet kvarstår. Se Ta ut och installera litiumjonbatteriet [▶ 179]
	Batteriets temperatur kanske är för hög eller för låg och det kanske inte laddas ordentligt.	Avvakta tills batteriet har nått dess normala temperatur.
Alla läckageindikatorer blinkar.	Ett sensorfel har inträffat. Detta kan orsakas av en trasig sensor eller av att sensorn är felaktigt installerad eller har dålig anslutning.	Ta bort och installera om sensorn. Byt ut sensorn om problemet kvarstår. Se Ta bort och installera sensorn [▶ 180].
Indikatorerna aktiveras inte efter en lång intryckning av strömknappen.	Batterinivån är kritiskt låg.	Ladda batteriet eller anslut enheten till en laddare.
Enheten startas men detekterar inte något köldmedium.	Enheten har inte slutfört uppvärmningen.	Vänta tills uppvärmningen är slutförd. Detta tar mellan 45 och 90 sekunder.
	Filtret är tilltäppt, vilket begränsar luftflödet.	Byt ut filterkassetten. Se Byta filter [▶ 181].
	Pumpen fungerar inte korrekt.	Lyssna efter pump ljudet. Kontakta INFICON om pumpen är helt tyst även fast batteriet är tillräckligt laddat.
	Känsligheten är för lågt inställd (endast läget Pinpoint).	Verifiera känslighetsnivån. Använd Hög eller Super för väldigt små läckage.
	Fel sensor är installerad.	Verifiera att rätt sensor används (köldmediumsensor eller CO ₂ -sensor).

Problem	Orsak	Åtgärd
Enheten signalerar när den är i ren luft.	Fel sensor är installerad.	Verifiera att köldmediumsensorn är installerad i stället för CO ₂ -sensorn.
Pumpen är helt tyst.	Pumpen fungerar inte korrekt.	Kontakta INFICON om batteriet är tillräckligt laddat.

17 Garanti- och ansvarsbegränsning

INFICON garanterar att din D-TEK 3-läckdetektor för köldmedium är fri från material- och arbetsdefekter i ett eller två år (beroende på region) från inköpsdatum. INFICONs garanti täcker inte artiklar, inklusive batterier, sensorer och filter, som försämras till följd av normal användning. Därutöver täcker inte INFICONs garanti heller instrument som behöver bytas ut till följd av felanvändning, försummelse, olyckor eller reparationer eller modifieringar utförda av någon annan än INFICON. Det ansvar som INFICON har är begränsat till instrument som returneras, genom förbetald transport, till INFICON absolut senast trettio (30) dagar efter att garantiperioden förfaller, under förutsättning att INFICON anser att felfunktionen är en följd av material- eller produktionsfel. Det ansvar som INFICON har är begränsat till, och föremål för företagets valfrihet, reparation eller byte av det felfungerande instrumentet eller de trasiga delarna. Denna garanti ska gälla framför alla övriga garantier, uttryckta eller underförstådda, avseende SÄLJBARHET, LÄMPLIGHET FÖR AVSETT ÄNDAMÅL eller övrigt. Vi förnekar uttryckligen alla sådana övriga garantier. INFICON ansvarar inte för om kunden betalar för mycket till INFICON för instrumentet eller för förbetalda returtransporter. INFICON ansvarar inte för oavsiktliga skador eller följdskador. Alla sådana skyldigheter är EXKLUDERADE.

1 Dikkat ve Uyarı İbareleri.....	190
2 Teknik Özellikler	191
3 D-TEK 3	193
4 Bataryanın Şarj Edilmesi	194
5 Cihazın Açılması ve Kullanıma Hazırlık	195
6 Pinpoint Modu	195
7 Manual Zero Modu.....	196
8 Kulaklıklar ve Ses Seviyesi Kontrolü	196
9 Lityum İyon Akünün Çıkarılması ve Takılması	197
10 Sensörün Çıkarılması ve Takılması	198
11 Filtrelerin Değiştirilmesi	199
12 Ekstra Uzun Prob	200
13 Karbondioksit Sensörleri.....	201
14 Temizlik ve Saklama.....	202
15 Yedek Parçalar ve Aksesuarlar	202
16 Arıza Giderme Kılavuzu	203
17 Garanti ve Sorumluluk Sınırlandırması	204

1 Dikkat ve Uyarı İbareleri

Dikkat ibareleri:

- Yalnızca 5 V (dc) \pm %5, 1 A \pm %5 çıkışa sahip sertifikalı bir şarj cihazı/kablo kullanın.
- Cihazı aşırı yüksek veya düşük sıcaklığa sahip yerlerden uzak tutun.
- Aküyü sıvıya maruz bırakmayın.
- Aküde herhangi bir hasar görmeniz halinde cihazı kullanmayın.
- Aküyü açmayın veya üzerinde değişiklik yapmayın.
- Aküyü yerel yönetmeliklere göre ele alın.
- Belirtilen şarj süresinin geçmesine rağmen Şarj işlemi tamamlanamıyorsa şarj işlemine kesinlikle devam etmeyin.
- Şarj işlemi sırasında aküyü gözetimsiz bırakmayın.
- Akü tamamen şarj olduğunda şarj cihazının fişini çıkarın.
- Lityum iyon pillerin uygun olmayan şekillerde kullanılması yangına neden olabilir.
- Yüksek RF ortamları yanlış bir alarma neden olabilir.



⚠ WARNING

Bu sembol kullanıcıya önemli çalıştırma ve bakım (servis) talimatları bulunduğu konusunda uyarı verir.



⚠ WARNING

Yüksek CO₂ veya soğutucu konsantrasyonlarına maruz kalınması tehlikelidir ve hayati tehdit oluşturabilir.

Cihaz zehirleyici veya tehlikeli ortamlarda kullanılmamalıdır. Bu bir kişisel korunma veya yaşam kurtarma cihazı değildir. Potansiyel olarak zehirleyici veya tehlikeli ortamlarda son derece dikkatli olun.



⚠ WARNING

Bu ürün kendinden emniyetli değildir ve patlayıcı dumanların, patlayıcı tozların veya diğer patlayıcı kimyasalların bulunduğu ortamlarda kullanılmamalıdır. LEL'ye (alt patlama sınırı) yaklaşan yanıcı soğutucu konsantrasyonlarının bulunduğu bir ortamda kullanılması halinde ciddi yaralanmalara, ölüme veya maddi hasara neden olacak bir patlama meydana gelebilir.

2 Teknik Özellikler

Kullanım	iç mekan/dış mekan
Sensör tipi	kızılötesi
Uyumlu soğutucular	
• Soğutucu sensörü (standart, PN 724-701-G1)	Tüm CFC'ler, HCFC'ler, HFC'ler, HFO'lar ve bunların karışımları (A2Ls'ler dahil)
• CO ₂ sensörü (PN 724-701-G2)	R744 (karbondioksit)
• Yanıcı soğutucu (HC) sensörü (PN 724-701-G3)	R290, R600a, R441a (bkz. Güvenlik uyarıları)
Hassasiyet (EN14624 standardına göre test edilmiştir) ¹	
• R134a	1 g/yıl (0,04 oz./yıl)
• R1234yf	0,5 g/yıl (0,02 oz./yıl)
• R290	5 g/yıl (0,2 oz./yıl)
• R744 (CO ₂)	2 g/yıl (0,07 oz./yıl)
• Amonyak	3 g/yıl (0,1 oz./yıl)
Batarya türü	lityum iyon
Şarj girişi tipi	micro USB
Şarj süresi (%0'dan başlayarak)	yaklaşık 3 saat
Batarya ömrü	yaklaşık 9 saat
Sensör ömrü	Maks. 2000 saat
Giriş voltajı	5 V (dc) ±%5
Giriş akımı	1 A ±%5
Isınma süresi	45–90 saniye
Sıcaklık aralıkları ve nem	
• Saklama	-20–60°C (-4–140°F)
• Çalışma ²	-20–50°C (-4–122°F)
• Şarj	0–45°C (32–113°F)
• Nem	%95 Bağıl Nem NC maksimum
Rakım	2000 m (6500 ft.)
Kirlilik derecesi	2
Aşırı voltaj kategorisi	2

Ağırlık (akü ile; taşıma çantası veya aksesuarlar dahil değildir)	0,44 kg (0,97 lb.)
---	--------------------

¹ İdeal performansa ve belirtilen hassaslıklara ulaşmak için D-TEK 3'un kullanılmadan önce 15 dakika çalıştırılması önerilir.

² 0°C (32°F) altındaki sıcaklıklarda kullanım sınırlanmalıdır. Düşük sıcaklıklı ortamlarda kullanılmadan önce ısınma süresinin uzun tutulması önerilir.

EN 14624:2020 uyarınca teknik özellikler tablosu

	R134a	R1234yf	R744 (CO ₂)	Amonyak (R717)	R290
Minimum hassaslık, sabit (statik)	1 g/yıl	0,5 g/yıl	2 g/yıl	3 g/yıl	5 g/yıl
Minimum hassaslık, hareketli (dinamik)	1 g/yıl	1 g/yıl	2 g/yıl	3 g/yıl	5 g/yıl
Minimum tepki/algılama süresi	<1 sn	<1 sn	<1 sn	<1 sn	<1 sn
x g/yıl maruz kalma için kurtarma süresi ³	7,6 sn	6,4 sn	13 sn	4 sn	4 sn
Kontamine ortamlarda minimum hassasiyet	>2 g/yıl	1 g/yıl	>4 g/yıl	3 g/yıl	7 g/yıl
Kalibrasyon sıklığı	Kalibre edilmiş kaçak standardı ile yılda bir kez kontrol edin				

³x = R134a: 32 g/yıl

R1234yf: 35 g/yıl

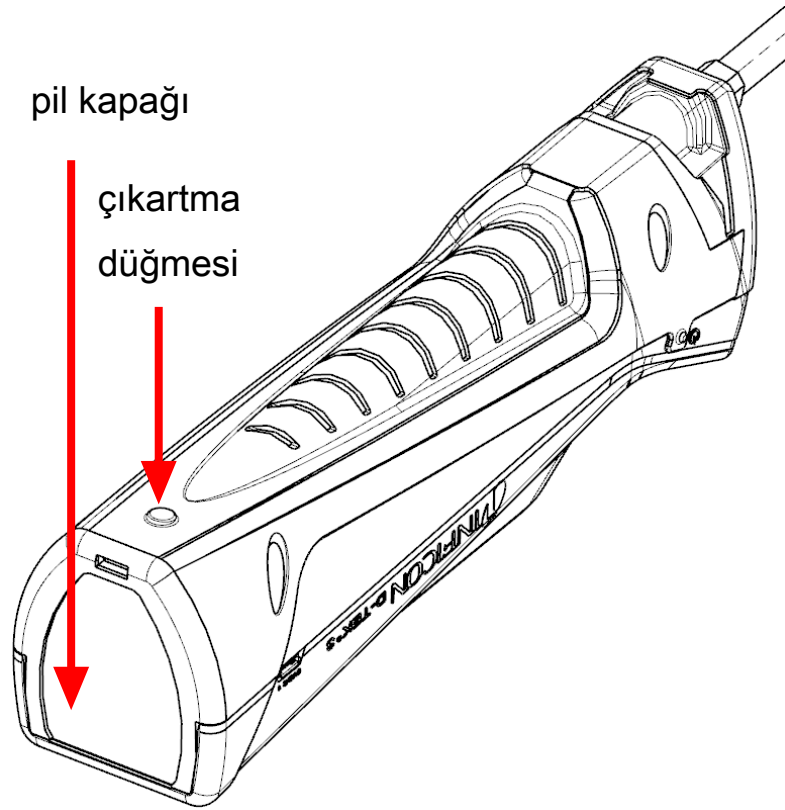
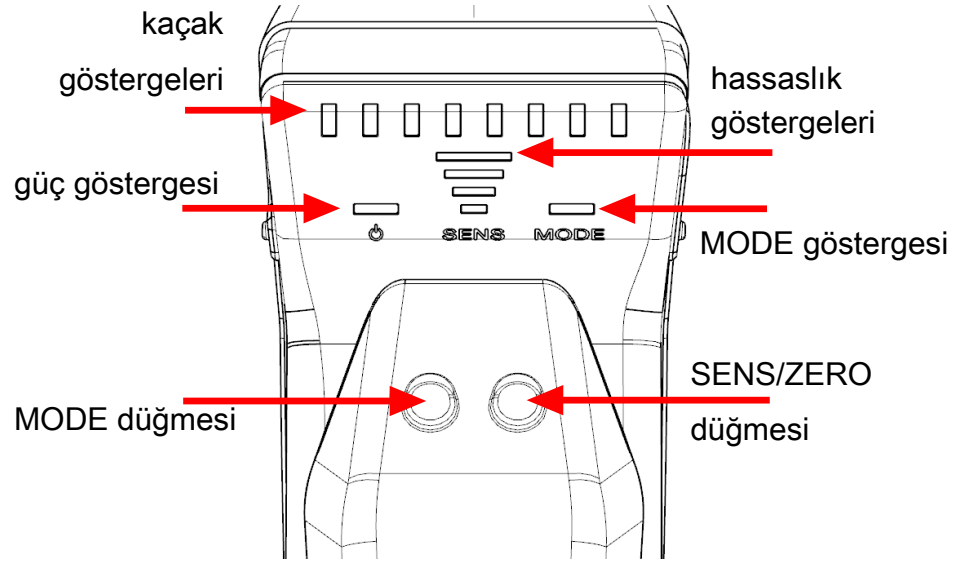
R744: >50 g/yıl

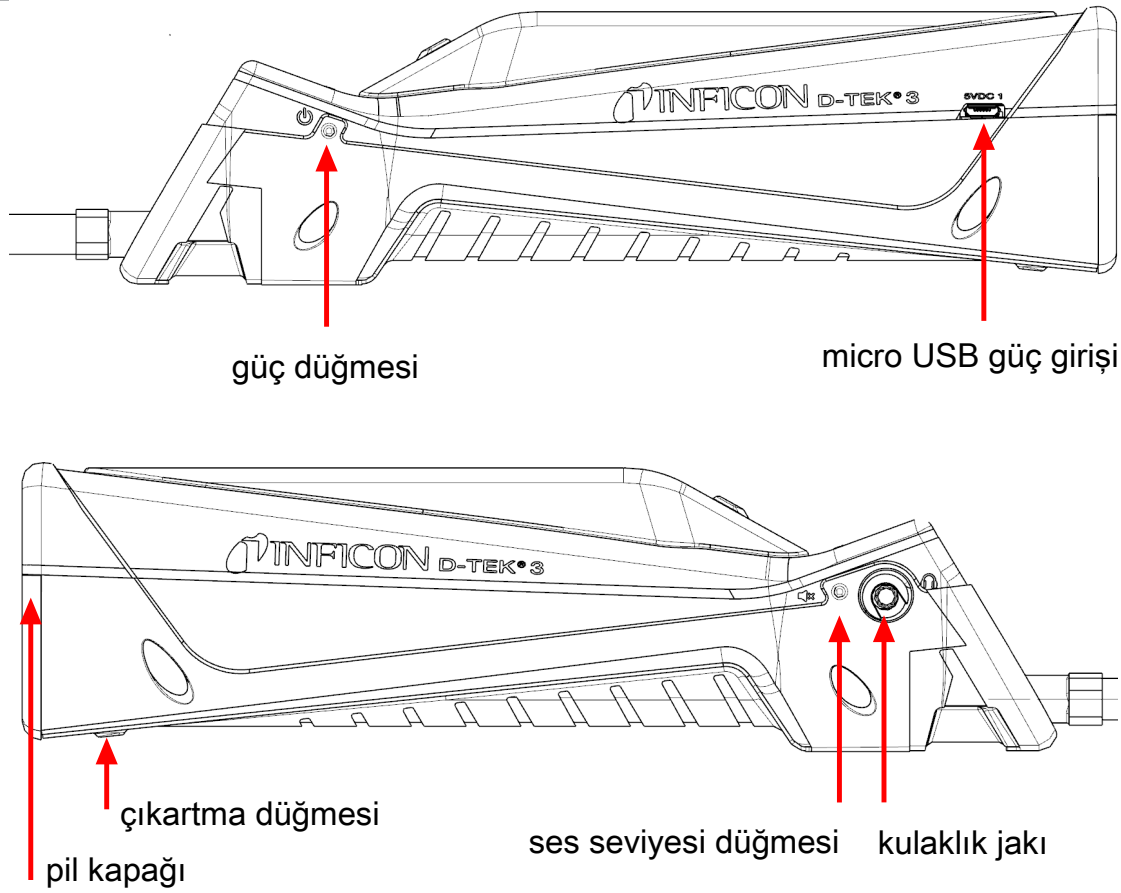
R717: 35 g/yıl

R290: 30 g/yıl

Patentler (Bekleniyor) Uygulama #10 2018 208 826.8

3 D-TEK 3





4 Bataryanın Şarj Edilmesi

D-TEK 3 kısmi olarak şarj edilmiş halde gelen şarj edilebilir lityum iyon akü kullanmaktadır. INFICON, cihazı kullanmadan önce akünün şarj edilmesini önerir. Verilen şarj cihazı veya şarj kazağı aksesuarı ile tamamen boşalmış bir batarya yaklaşık 2 saat içerisinde %80 ve yaklaşık 3 saat içerisinde %100 şarj seviyesine getirilebilir. Tam dolu şekilde, çalışma sıcaklığına bağlı olarak, yaklaşık 9 saat çalışma mümkündür. Güç göstergesi, kalan şarj yüzdesini gösterir.

Renk	% Şarj
Yeşil	>%30
Turuncu	10–29%
Kırmızı	<%10



D-TEK 3 şarj sırasında kullanılabilir.

5 Cihazın Açılması ve Kullanıma Hazırlık



Ekran açılmazsa akü seviyesi düşüktür ve şarj edilmesi gerekiyordur. D-TEK 3 şarj sırasında kullanılabilir.

- 1 D-TEK 3'u **açmak** veya **kapatmak** için güç düğmesine uzun süre basın (cihazın gövdesinin sol tarafında bulunur).
 - ⇒ D-TEK 3 45 ile 90 saniye arasında değişken bir ısınma süresi ile başlar. Isınma tamamlandığında, D-TEK 3 kullanıma hazırdır.
- 2 Mod değiştirmek için **MODE** düğmesine basın. Bu işlem, **Pinpoint** ve **Manual Zero** modları arasında geçiş yapılmasını sağlar.



D-TEK 3 her zaman kullanılan son modda başlatılır.

6 Pinpoint Modu

- 1 D-TEK 3'un ucunu şüphelenilen kaçağa olabildiğince yakın tutun (hava akışını engellemeyin).
- 2 Probu olası her bir kaçak noktasında yavaşça geçirin.
 - ⇒ Bir kaçak tespit edilirse, D-TEK 3 alarm verir ve kaçak göstergesi yanar.
- 3 Bir kaçak algılandığında, kaçağı doğrulamak için robu birkaç saniyeliğine kaçaktan uzaklaştırın ve ilgili noktayı tekrar kontrol edin.



Pinpoint modunda, D-TEK 3 otomatik olarak arka plandaki soğutucu gaz konsantrasyonuna sıfırlanır ve yalnızca daha yüksek bir soğutucu gaz konsantrasyonu ile karşılaşıldığında alarm verir. Bu meydana geldiğinde ya daha yüksek bir soğutucu gaz konsantrasyonu aramaya devam edin ya da robu sıfırlamak için birkaç saniyeliğine daha düşük konsantrasyonlu bir alana getirin.



Hassaslık ayarını değiştirmek için **SENS/ZERO** düğmesine basın. Büyük bir kaçakla çalışırken daha düşük bir hassaslık ayarıyla kaçağın konumunu bulmak daha kolay olabilir. O anki hassasiyet, ilgili göstergeler (SENS) tarafından belirtilir.

7 Manual Zero Modu

Manual Zero modu **Pinpoint** moduna benzer şekilde çalışır, yavaşça yanıp sönen **MODE** göstergesi ile anlaşılır. **Manual Zero** modu, kullanıcının **SENS/ZERO** düğmesine basarak arka plan soğutucunun manuel sıfırlamasına imkan tanır. Yeni sıfır noktası ayarlandığında, D-TEK 3 daha yüksek bir soğutucu gaz konsantrasyonu algılanmadıkça alarm vermeyecektir.

Manual Zero modu sıfır noktasında diğer modlara göre daha hızlı bipler. Konsantrasyon mevcut sıfır noktasından daha düşükse bipleme yavaşlar. Bu, kullanıcının bipleme hızındaki değişimi dinleyerek kaçaktan uzaklaşıp uzaklaşmadığını anlamasına olanak tanır.



Manual Zero modunda hassaslık ayarı yoktur.



Manual Zero modu, ideal performans için 15 dakikaya kadar ilave bir ısınma süresi gerektirir.

8 Kulaklıklar ve Ses Seviyesi Kontrolü

Kulaklıkla alarm seslerini dinleyebilmeniz için D-TEK 3 sağında bir kulaklık jakı mevcuttur.



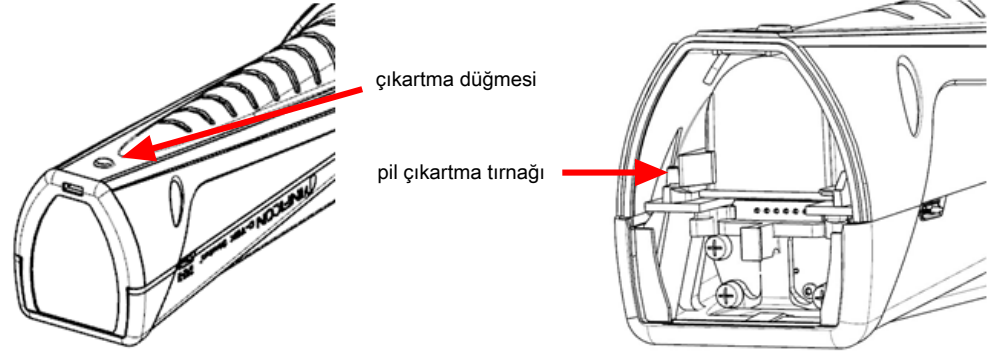
WARNING

INFICON tarafından tedarik edilmeyen kulaklıklar kullanıyorsanız işitme duyunuza zarar vermemek için kulaklıkları dikkatli bir şekilde test edin.

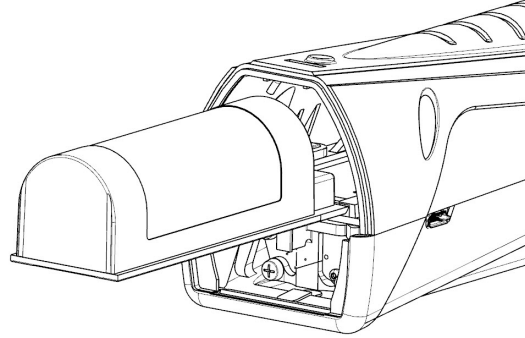
Kulaklık jakının yanında bir ses seviyesi düğmesi bulunmaktadır. Ses seviyesini %100, %50 ve sessiz arasında değiştirmek için ses seviyesi düğmesine basın. Cihaz çalıştırıldığında ses seviyesi varsayılan olarak %100'e ayarlanır. Kulaklık takılıyken ses seviyesi %100 ile sessiz arasında değişir.

9 Lityum İyon Akünün Çıkarılması ve Takılması

- 1 D-TEK 3'un arkasındaki çıkartma düğmesine basın ve akü kapağını çıkarın.



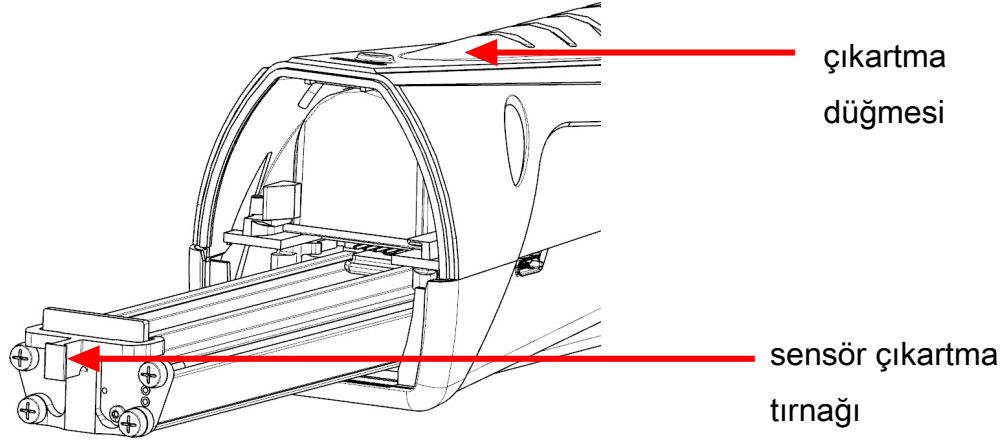
- 2 Akü çıkarma tırnağını akü yerinden çıkmaya başlayana kadar yana kaydırarak aküyü çıkarın. Aküyü kaydırarak çıkarın.
- 3 Aküyü raylarla hizalayın.



- 4 Aküyü, akü çıkarma tırnağı yerine oturana kadar ray boyunca dikkatli bir şekilde itin.
⇒ Aküyü zorlamayın. Akü serbest bir şekilde kaymazsa hizalamayı kontrol edip tekrar deneyin.
- 5 Akü kapağını geri takın.

10 Sensörün Çıkarılması ve Takılması

D-TEK 3'ta sahada çıkarılması ve takılması hızlı ve kolay olan kartuş tipi bir sensör kullanılır. INFICON, standart sensöre ek olarak soğuma ve iklimlendirme uygulamalarında kullanım için 2'ye özel bir sensör sunmaktadır. Yedek Parçalar ve Aksesuarlar [► 202].

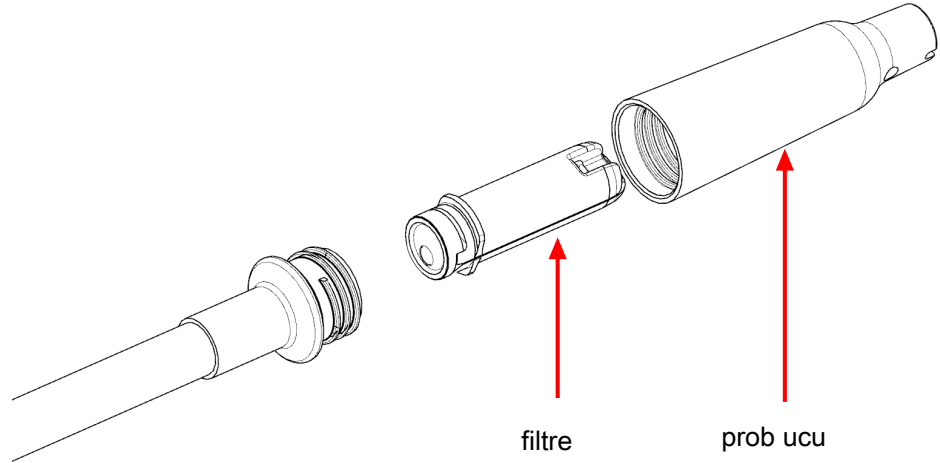


Sensörü değiştirmek için:

- 1 D-TEK 3'un arkasındaki çıkartma düğmesine basın ve akü kapağını çıkarın.
- 2 Sensör çıkartma tırnağını tutun ve dikkatli bir şekilde çekerek çıkarın.
- 3 Yeni sensörü raylarla hizalayın.
- 4 Sensörü tam olarak oturana kadar dikkatli bir şekilde ray boyunca itin.
⇒ Sensörü zorlamayın. Serbest bir şekilde kaymazsa hizalamayı kontrol edip tekrar deneyin.
- 5 Akü kapağını geri takın.

11 Filtrelerin Deęiřtirilmesi

D-TEK 3'ta su, kir ve yaęı filtreleyip hava ve soęutucu gazın geçiřine izin veren hidrofobik bir filtre kartuřu kullanılmaktadır. Filtrenin deęiřtirilmesi gerekip gerekmedięini belirlemek iin beyaz bezi inceleyin. Bezin rengi deęiřmiř grnyorsa yeni bir filtre takın. Kaak detektrnzn soęutucu gazları gerektięi gibi algılamadıęından řpheleniyorsanız filtrenin deęiřtirilmesi basit bir arıza giderme zmdr. Tıkalı bir hava filtresi numune hava akıřını sınırlandırabilir.



Filtrenin su veya yaęa maruz bırakılması hafa akıřını engelleyebilir. Bu meydana gelirse proba kirletici maddeler bulařmasını nlemek iin filtreyi prob ařaęı bakacak řekilde ıkartın ve yeni bir filtre takın. Filtre ıslanırsa kuruduęunda tekrar kullanılabilir.



CAUTION

Cihazı asla uygun bir prob ucu ve filtre olmadan kullanmayın.

Filtreyi deęiřtirmek iin:

- 1 Prob ucunu evirerek ıkarın ve filtreyi ıkarın.
- 2 Yeni filtreyi probun iine takın.
- 3 Prob ucunu evirerek takın. Ařırı sıkmayın.

12 Ekstra Uzun Prob

Opsiyonel ekstra uzun yedek prob, ulaşılması zor alanlarda kaçak kontrolü için kullanılabilir.

Ekstra uzun probu takmak için:

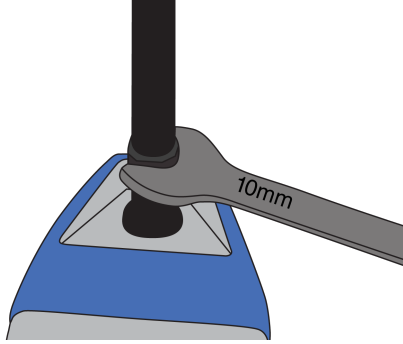
- 1 Standart probu 10 mm anahtar kullanarak D-TEK 3 cihazının gövdesinden çıkarın.
- 2 Ekstra uzun probu yaklaşık 35 in·lb (4 N·m) ile sıkın. Aşırı sıkmayın.
- 3 Prob ucunu çevirerek standart probdan çıkarın filtreyi çıkarın (veya yeni bir tane kullanın).
- 4 Filtreyi ekstra uzun probun içine takın.
- 5 Prob ucunu ekstra uzun probun üzerine çevirerek takın. Aşırı sıkmayın.



⚠ CAUTION

Probu prob tabanından her zaman 10 mm'lik bir anahtar kullanarak çıkarın.

Probun belirtilen yöntem dışında herhangi bir şekilde gevşetilmesi proba zarar verebilir.



13 Karbon dioksit Sensörleri

CO₂ (PN 724-701-G2) veya yanıcı soğutucu (PN 724-701-G3) uygulamalarında karbon dioksit sensörleri kullanılabilir. CO₂ sensörünü kullanmak için veya yanıcı soğutucu sensörü kullanmak için, Sensörün Çıkarılması ve Takılması [198] bölümünde açıklandığı gibi standart sensörü çıkarın ve yeni sensörü takın. D-TEK 3 sensörü otomatik olarak tanır ve **MODE** göstergesi, sensör takılı olduğu sürece yeşil yanar. Yeşil CO₂ sensörünün, kırmızı yanıcı soğutucu sensörünün, turuncu ise standart soğutucu sensörün takılı olduğunu gösterir.



Eğer D-TEK 3 yanıcı soğutucu sensörünüzü otomatik olarak algılamıyorsa lütfen bir yazılım testi gerçekleştirmek için INFICON ile iletişime geçin.



Yanıcı soğutucu sensörü hidrojen oluşturan gaz da dahil olmak üzere hidrojeni algılamaz.



CO₂ kaçıklarını ararken proba doğru CO₂ solumamak için bir solunum maskesi takılması önerilir.



⚠ WARNING

Yüksek CO₂ veya soğutucu konsantrasyonlarına maruz kalınması tehlikelidir ve hayati tehdit oluşturabilir.

Cihaz zehirleyici veya tehlikeli ortamlarda kullanılmamalıdır. Bu bir kişisel korunma veya yaşam kurtarma cihazı değildir. Potansiyel olarak zehirleyici veya tehlikeli ortamlarda son derece dikkatli olun.



⚠ WARNING

Bu ürün kendinden emniyetli değildir ve patlayıcı dumanların, patlayıcı tozların veya diğer patlayıcı kimyasalların bulunduğu ortamlarda kullanılmamalıdır. LEL'ye (alt patlama sınırı) yaklaşan yanıcı soğutucu konsantrasyonlarının bulunduğu bir ortamda kullanılması halinde ciddi yaralanmalara, ölüme veya maddi hasara neden olacak bir patlama meydana gelebilir.

14 Temizlik ve Saklama

D-TEK 3 yumuşak deterjan veya izopropil alkol ile temizlenebilir. Cihazın içine temizlik maddesi girmesini önlemek için dikkatli olunmalıdır. Plastik parçalara veya ekrana hasar verebileceği için benzin, aseton veya diğer agresif çözücülerle temizlemeyin.

15 Yedek Parçalar ve Aksesuarlar

yedek taşıma çantası	721-700-G1
kulaklıklar	721-607-G1
12 V (dc) araç şarj cihazı	721-605-G1
AC duvar tipi şarj cihazı (çeşitli bölgeler için fişler dahil)	721-606-G1
lityum iyon akü	721-702-G1
akü şarj yuvası	721-610-G1
akü/şarj yuvası kombinasyonu	721-604-G1
standart sensör (CFC'ler, HCFC'ler, HFC'ler, HFO'lar ve bunların karışımlarını (A2L'ler dahil) algılar)	724-701-G1
CO ₂ sensörü	724-701-G2
Yanıcı soğutucu (HC) sensörü	724-701-G3
Filtre kartuşları (miktar, 5)	712-707-G1
yedek prob kapağı	712-705-G1
İğne tipi prob uzatması	721-612-G1
Ekstra uzun prob	721-611-G1
TEK-Check R134a kaçak testi	703-080-G10

16 Arıza Giderme Kılavuzu

Sorun	Neden	Çözüm
Güç göstergesi hızlı bir şekilde kırmızı renkte yanıp sönüyor.	Bir batarya hatası meydana gelmiştir. Bu batarya arızasından, akünün yanlış takılmış olmasından veya bağlantının kötü olmasından kaynaklanabilir.	Bataryayı çıkarıp tekrar takın. Sorun düzelmezse bataryayı değiştirin. Bkz. Lityum İyon Akünün Çıkarılması ve Takılması [► 197].
	Akü ideal sıcaklık aralığının üzerinde veya altındadır ve doğru şarj olmayabilir.	Akünün normal sıcaklığa dönmesini bekleyin.
Tüm kaçak göstergeleri yanıp sönüyor.	Bir sensör hatası meydana gelmiştir. Bu sensör arızasından, sensörün yanlış takılmış olmasından veya bağlantının kötü olmasından kaynaklanabilir.	Sensörü çıkarıp tekrar takın. Sorun düzelmezse sensörü değiştirin. Bkz. Sensörün Çıkarılması ve Takılması [► 198].
Güç düğmesine uzunca basıldıktan sonra göstergeler açılmıyor.	Batarya seviyesi kritik seviyede düşüktür.	Bataryayı şarj edin veya cihazı bir şarj cihazına bağlayın.
Cihaz açılıyor ama soğutucu gaz algılanmıyor.	Ünite ısınma sürecini tamamlamamıştır.	Isınma işleminin tamamlanmasını bekleyin. Bu 45 ila 90 saniye sürer.
	Filtre tıkanmış olduğu için hava akışını sınırlandırıyor.	Filtre kartuşunu değiştirin. Bkz. Filtrelerin Değiştirilmesi [► 199].
	Pompa arızalanmıştır.	Pompa sesini dinleyin. Pompadan ses gelmiyorsa akü uygun şekilde şarj olmuşsa INFICON ile iletişim kurun.
	Hassaslık çok düşüğe ayarlanmıştır (sadece Pinpoint modu).	Hassaslık seviyesini doğrulayın. Çok küçük kaçaklar için Yüksek veya Süper kullanılmalıdır.

Sorun	Neden	Çözüm
	Yanlış sensör takılmıştır.	Doğru sensörün kullanıldığını doğrulayın (soğutucu gaz sensörü veya CO ₂ sensörü).
Cihaz temiz havada alarm veriyor.	Yanlış sensör takılmıştır.	CO ₂ sensörünün yerine soğutucu gaz sensörünün takılı olduğunu doğrulayın.
Pompadan ses gelmiyor.	Pompa arızalanmıştır.	Akü uygun şekilde şarj olmuşsa INFICON ile bağlantı kurun.

17 Garanti ve Sorumluluk Sınırlandırması

INFICON, D-TEK 3 Soğutucu Gaz Kaçak Detektörünün, satın alma tarihinden itibaren (bölgeye bağlı olarak) bir veya iki yıl malzeme veya işçilik kusuru içermeyeceğinin garantisini vermektedir. INFICON aküler, sensörler ve filtreler de dahil olmak üzere normal kullanım altında bozulan parçalar için garanti vermez. Buna ek olarak INFICON, yanlış kullanım, ihmal veya kazaya maruz kalmış, INFICON dışında herhangi biri tarafından onarılmış veya tadil edilmiş herhangi bir cihaz için garanti vermez. INFICON şirketinin sorumluluğu, nakliyesi önceden ödenmiş olarak ve garanti süresinin bitişinden en geç otuz (30) gün sonrasına kadar INFICON şirketine iade edilmiş ve INFICON tarafından yapılan değerlendirmeye göre arızalı malzeme veya işçilik nedeniyle arızalanmış cihazlarla sınırlıdır. INFICON şirketinin sorumluluğu, arızalı cihazı veya parçayı kendi takdirinde olmak üzere onarmak veya değiştirmekle sınırlıdır. Bu garanti, PAZARLANABİLİRLİK, BELİRLİ BİR AMACA UYGUNLUK veya başka türden tüm açık veya ima yollu garantilerin yerine geçer. Bu türden diğer tüm garantilerden feragat edilir. INFICON, cihaz için INFICON şirketine ödenen bedel ve önceden ödenmiş iade ücreti dışında herhangi bir yükümlülük taşımaz. INFICON şirketinin tesadüfi veya dolaylı olarak meydana gelen hasarlara karşı herhangi bir yükümlülüğü yoktur. Bu tarz tüm yükümlülükler HARIÇ TUTULMAKTADIR.

1	Waarschuwingen	208
2	Specificaties	209
3	D-TEK 3	211
4	De accu opladen	212
5	Het instrument aanzetten en voorbereiden voor gebruik	213
6	Pinpoint-modus	213
7	Manual Zero-modus	214
8	Oordopjes en volumeregeling	214
9	De lithium-ionbatterij verwijderen en installeren	215
10	De sensor verwijderen en installeren	216
11	Vervanging van de filters	217
12	Extra lange sonde	218
13	Optionele sensors	219
14	Schoonmaak en opslag	220
15	Vervangende onderdelen en accessoires	220
16	Gids voor het oplossen van problemen	221
17	Garantie en aansprakelijkheidsbeperking	222

1 Waarschuwingen

Waarschuwingen:

- Gebruik alleen een gecertificeerde lader/kabel met een uitgang van 5 V (dc) $\pm 5\%$, 1 A $\pm 5\%$.
- Houd het apparaat uit de buurt van extreem hoge of lage temperaturen.
- Stel de batterij niet bloot aan vloeistof.
- Gebruik het apparaat niet als u schade aan de batterij opmerkt.
- Demonteer of wijzig de batterij niet.
- Behandel en verwijder de batterij volgens de plaatselijke voorschriften.
- Als het opladen niet wordt voltooid, zelfs als de opgegeven oplaadtijd is verstreken, stop dan onmiddellijk met verder opladen.
- Laat de batterij niet onbeheerd achter tijdens het opladen.
- Haal de lader uit het stopcontact wanneer de batterij volledig is opgeladen.
- Onjuist gebruik of onjuiste verwijdering van lithium-ionbatterijen kan brand veroorzaken.
- Hoge RF-omgevingen kunnen een vals alarm veroorzaken.



WAARSCHUWING

Dit symbool attendeert de gebruiker op de aanwezigheid van belangrijke bedienings- en onderhoudsinstructies.



WAARSCHUWING

Blootstelling aan hoge concentraties van CO₂ of koelmiddelen is gevaarlijk en kan levensbedreigend zijn.

Het instrument is niet bedoeld voor gebruik in giftige en gevaarlijke omgevingen. Het is niet bedoeld voor persoonlijke bescherming en is ook geen levensreddend apparaat. Wees altijd bijzonder voorzichtig in potentiële giftige of gevaarlijke omgevingen.



⚠ WAARSCHUWING

Dit product is niet intrinsiek veilig en mag niet worden gebruikt in de aanwezigheid van explosieve dampen, explosief stof of andere explosieve chemicaliën. Gebruik in een omgeving met een concentratie van ontvlambaar koelmiddel dat de LEL (onderste explosielimiet) benadert kan een explosie of brand veroorzaken en zo leiden tot ernstig letsel, de dood of materiële schade.

2 Specificaties

Gebruik	binnen/buiten
Sensortype	infrarood
Compatibele koelmiddelen	
• Koelmiddelsensor (standaard, PN 724-701-G1)	Alle CFK's, HCFK's, HFK's, HFO's en mengsels (inclusief A2L's)
• CO ₂ -sensor (PN 724-701-G2)	R744 (koolstofdioxide)
• Ontvlambaar koelmiddel (HC)-sensor (PN 724-701-G3)	R290, R600a, R441a (zie veiligheidswaarschuwingen)
Gevoeligheid (getest volgens norm EN14624) ¹	
• R134a	1 g/jr (0,04 oz/jr)
• R1234yf	0,5 g/jr (0,02 oz/jr)
• R290	5 g/jr (0,2 oz/jr)
• R744 (CO ₂)	2 g/jr (0,07 oz/jr)
• Ammoniak	3 g/jr (0,1 oz/jr)
Accutype	lithium-ion
Laadgangstype	micro USB
Oplaadtijd (vanaf 0%)	ongeveer 3 uur
Levensduur van de accu	ongeveer 9 uur
Levensduur sensor	tot 2000 uur
Ingangsspanning	5 V (dc) ±5%
Ingangsstroom	1 A ±5%
Opwarmtijd	45–90 seconden
Temperatuurbereik en vochtigheidsgraad	
• Opslag	-20–60°C (-4–140°F)
• Bediening ²	-20–50°C (-4–122°F)

• Opladen	0–45°C (32–113°F)
• Vochtigheid	95% RH NC maximum
Hoogte	2000 m (6500 ft.)
Verontreinigingsgraad	2
Overspanningscategorie	2
Gewicht (met accu; exclusief draagtas of accessoires)	0,44 kg (0,97 lb)

¹ Om optimale prestaties en de gespecificeerde gevoeligheden te bereiken, wordt aanbevolen om D-TEK 3 15 minuten te laten draaien vóór gebruik.

² Het gebruik bij temperaturen onder 0°C (32°F) moet worden beperkt. Voor gebruik in omgevingen met lage temperaturen wordt een langere opwarmtijd aanbevolen.

Specificatietabel volgens EN 14624:2020

	R134a	R1234yf	R744 (CO ₂)	Ammoniak (R717)	R290
Minimale gevoeligheid, vast (statisch)	1 g/jr	0,5 g/jr	2 g/jr	3 g/jr	5 g/jr
Minimale gevoeligheid, bewegend (dynamisch)	1 g/jr	1 g/jr	2 g/jr	3 g/jr	5 g/jr
Minimale respons-/ opsporingstijd	<1 s	<1 s	<1 s	<1 s	<1 s
Hersteltijd voor x g/jr blootstelling ³	7,6 s	6,4 s	13 s	4 s	4 s
Minimale gevoeligheid in vervuilde omgeving	>2 g/jr	1 g/jr	>4 g/jr	3 g/jr	7 g/jr
Kalibratiefrequentie	Jaarlijks controleren met gekalibreerde lekstandaard				

³x = R134a: 32 g/jr

R1234yf: 35 g/jr

R744: >50 g/jr

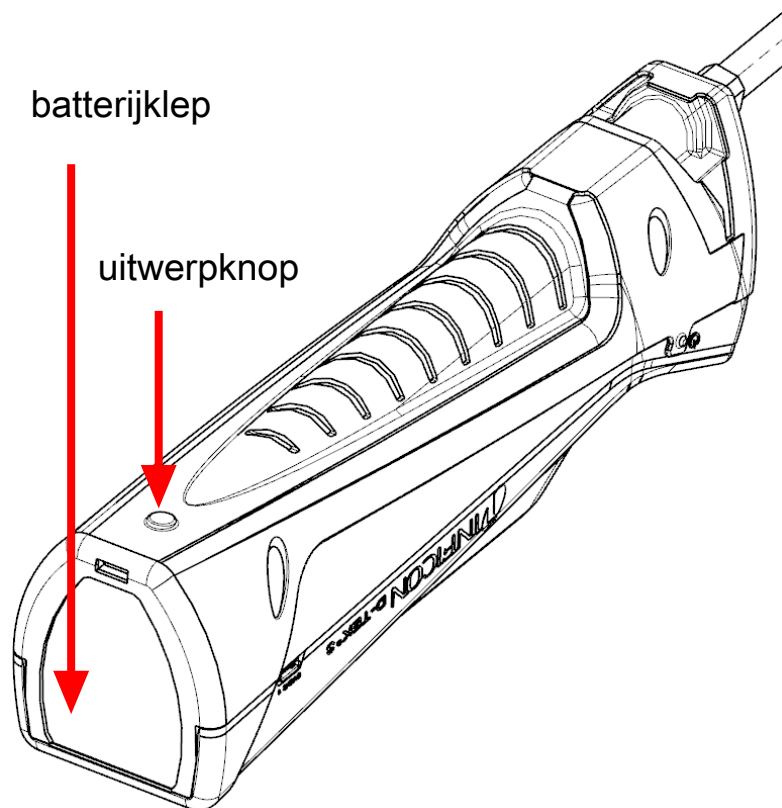
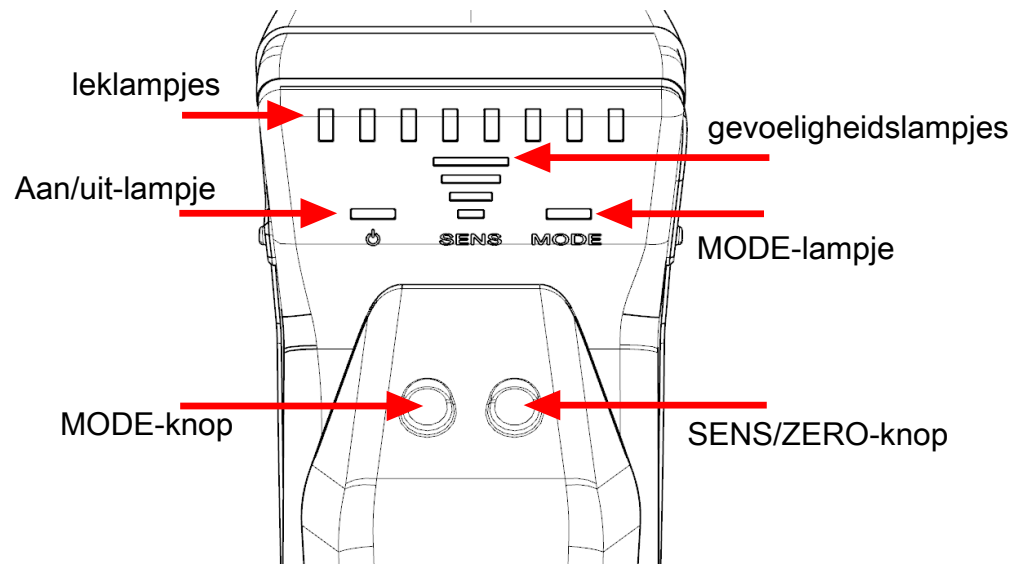
R717: 35 g/jr

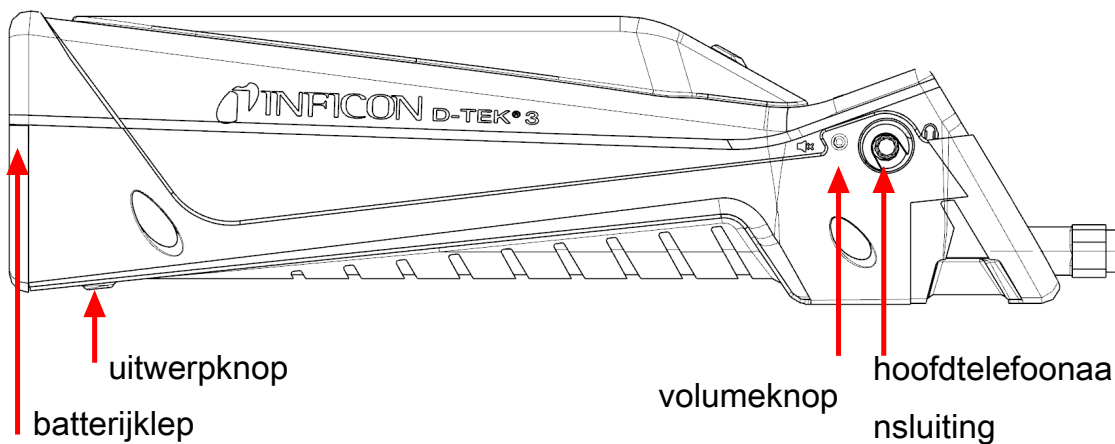
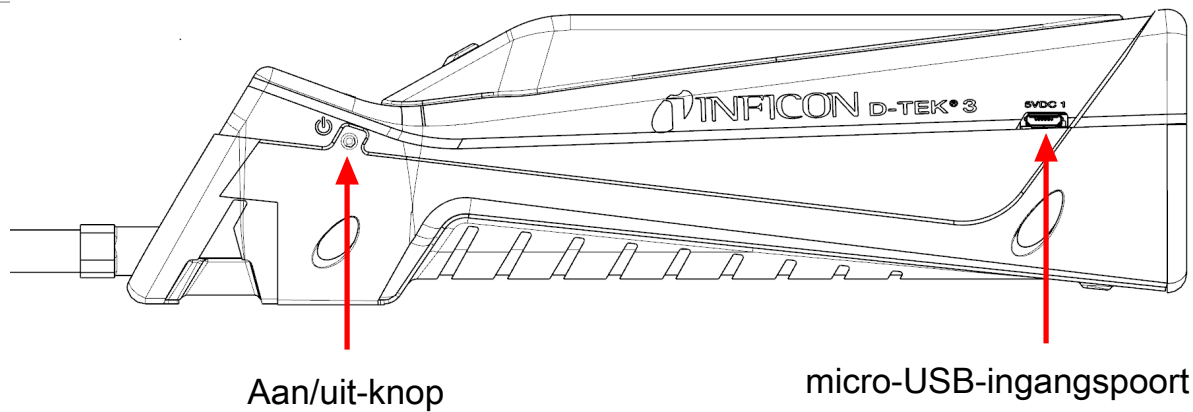
R290: 30 g/jr

Octrooien (in behandeling)

Aanvraagnummer 10 2018 208 826.8

3 D-TEK 3





4 De accu opladen

D-TEK 3 gebruikt een oplaadbare lithium-ionbatterij die gedeeltelijk opgeladen wordt geleverd. INFICON raadt aan de accu voor gebruik op te laden. Met behulp van de bijgeleverde lader of laadstationaccessoire kan een lege batterij tot 80% worden opgeladen in ongeveer 2 uur en tot 100% in ongeveer 3 uur. Een volledige oplading duurt normaal gesproken ongeveer 9 uur, afhankelijk van de bedrijfstemperatuur. De accu-indicator op het scherm geeft het resterende percentage van de accu weer.

Kleur	% lading
Groen	>30%
Oranje	10–29%
Rood	<10%



D-TEK 3 kan tijdens het laden gebruikt worden.

5 Het instrument aanzetten en voorbereiden voor gebruik



Als het scherm niet wordt ingeschakeld, is de accu bijna leeg en moet deze worden opgeladen. D-TEK 3 kan tijdens het laden gebruikt worden.

- 1 Druk lang op de aan/uit-knop (die zich aan de linkerkant van de behuizing van het instrument bevindt) om de D-TEK 3 **Aan** of **Uit** te zetten.
 - ⇒ D-TEK 3 begint een variabele opwarmtijd van 45 tot 90 seconden. Als de opwarmtijd voltooid is, is D-TEK 3 gereed voor gebruik.
- 2 Druk op de knop **MODE** om van modus te veranderen. Deze schakelt tussen de modi **Pinpoint** en **Manual Zero**.



D-TEK 3 begint altijd in de laatst gebruikte modus.

6 Pinpoint-modus

- 1 Plaats de punt van D-TEK 3 zo dicht mogelijk bij de vermoedelijke lekkage (blokkeer de luchtstroom niet).
- 2 Beweeg de sonde langzaam langs elk mogelijk lekpunt.
 - ⇒ Als een lek wordt gedetecteerd slaat D-TEK 3 alarm, en de lekindicatoren branden.
- 3 Wanneer een lek is geïdentificeerd, trekt u de sonde een paar seconden weg van het lek en controleert u vervolgens de plek opnieuw om het lek te controleren.



In de **Pinpoint**-modus zal D-TEK 3 het achtergrondkoelmiddel automatisch op nul zetten en wordt er alleen nog maar opnieuw gealarmeerd bij een hogere concentratie koelmiddel. Wanneer dit gebeurt, blijf dan ofwel verder zoeken naar een hogere concentratie koelmiddel of verplaats de sonde gedurende enkele seconden naar een gebied met een lagere concentratie om het nulpunt te resetten.



Druk op de **SENS/ZERO**-knop om de gevoeligheidsinstelling te wijzigen. Bij het werken met een groot lek kan het gemakkelijker zijn om de leklocatie te lokaliseren met behulp van een lagere gevoeligheidsinstelling. De huidige gevoeligheid wordt weergegeven door de gevoeligheidslampjes (SENS).

7 Manual Zero-modus

De modus **Manual Zero** werkt op een vergelijkbare wijze als de **Pinpoint**-modus, maar wordt geïdentificeerd door een langzaam knipperend **MODE**-lampje. Bij de **Manual Zero**-modus kan de gebruiker handmatig nulstellen op het achtergrondkoelmiddel door op de **SENS/ZERO**-knop te drukken. Zodra het nieuwe nulpunt is ingesteld, zal D-TEK 3 niet alarmeren tenzij een hogere concentratie koelmiddel wordt gedetecteerd.

Handmatige nul-modus piept sneller op het nulpunt dan andere modi. Als de concentratie lager is dan het huidige nulpunt, zal het piepen vertragen. Dit stelt de gebruiker in staat om te weten of hij zich van het lek verijdert door te luisteren naar een verandering in de pieptoon.



Er is geen gevoeligheidsinstelling in de **Manual Zero**-modus.



De **Manual Zero**-modus vereist een extra opwarmtijd van maximaal 15 minuten voor optimale prestaties.

8 Oordopjes en volumeregeling

Er bevindt zich een koptelefoonaansluiting aan de rechterzijde van D-TEK 3 waarmee via een koptelefoon of oordopjes naar alarmsignalen geluisterd kan worden.



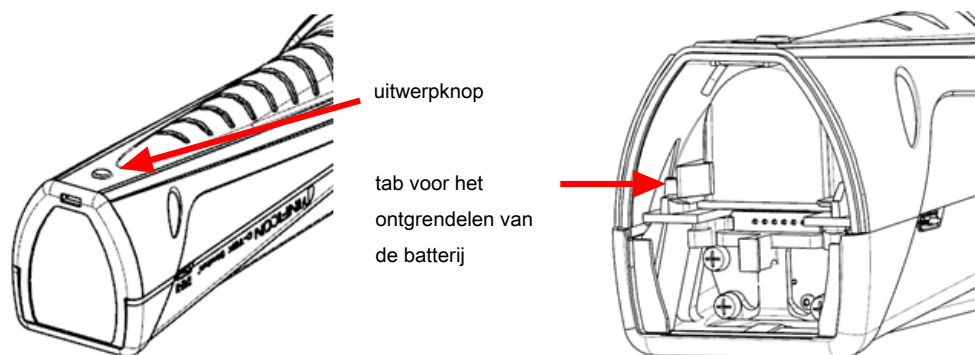
WAARSCHUWING

Als u een hoofdtelefoon probeert te gebruiken die niet door INFICON is geleverd, moet u deze zorgvuldig testen om gehoorschade te voorkomen.

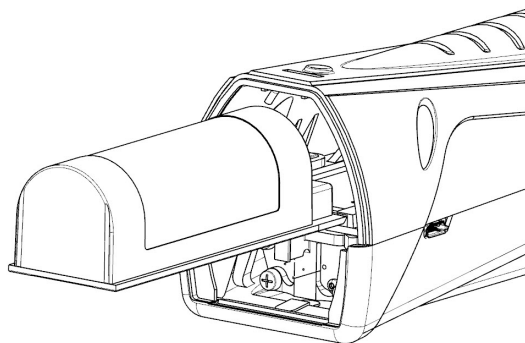
Een volumeknop bevindt zich naast de hoofdtelefoonaansluiting. Druk op de volumeknop om van 100% volume naar 50% volume te gaan en om het geluid uit te schakelen. Het volume wordt standaard op 100% ingesteld bij het opstarten. Als er een koptelefoon of oordopjes zijn aangesloten, kan het volume worden ingesteld tussen 100% volume en geen geluid.

9 De lithium-ionbatterij verwijderen en installeren

- 1 Druk op de uitwerpknop op de achterkant van D-TEK 3 en verwijder de batterijklep.



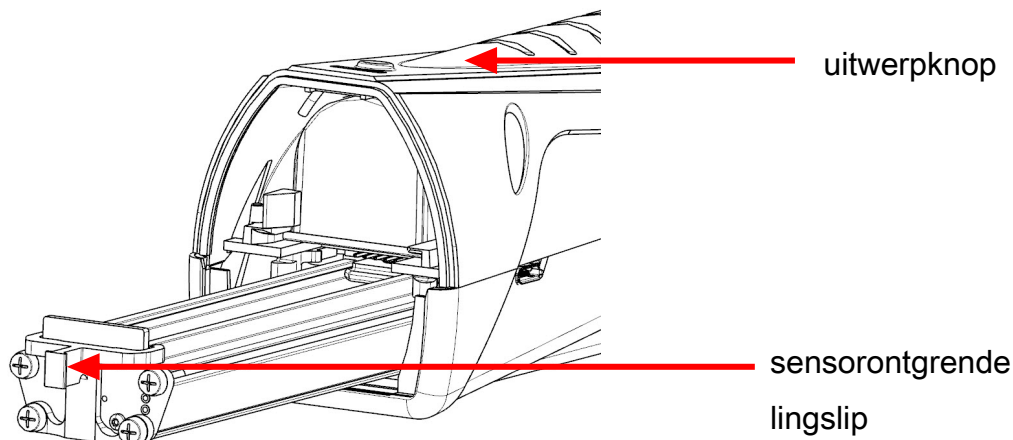
- 2 Verwijder de batterij door het lipje voor het ontgrendelen van de batterij naar de zijkant te verschuiven totdat u de batterij kunt verwijderen. Schuif de batterij eruit.
- 3 Lijn de batterij uit met de rails.



- 4 Duw de batterij zachtjes langs de rails totdat het lipje voor het ontgrendelen van de batterij vastklikt.
 - ⇒ Forceer de batterij niet. Als de batterij niet vrij kan schuiven, controleer dan de uitlijning en probeer het opnieuw.
- 5 Sluit het batterijklepje.

10 De sensor verwijderen en installeren

D-TEK 3 maakt gebruik van een cartridge-achtige sensor die snel en eenvoudig te verwijderen en te vervangen is in het veld. Naast de standaard sensor biedt INFICON een CO₂ specifieke sensor voor gebruik in koel- en airconditioningtoepassingen. Zie Vervangende onderdelen en accessoires [► 220].

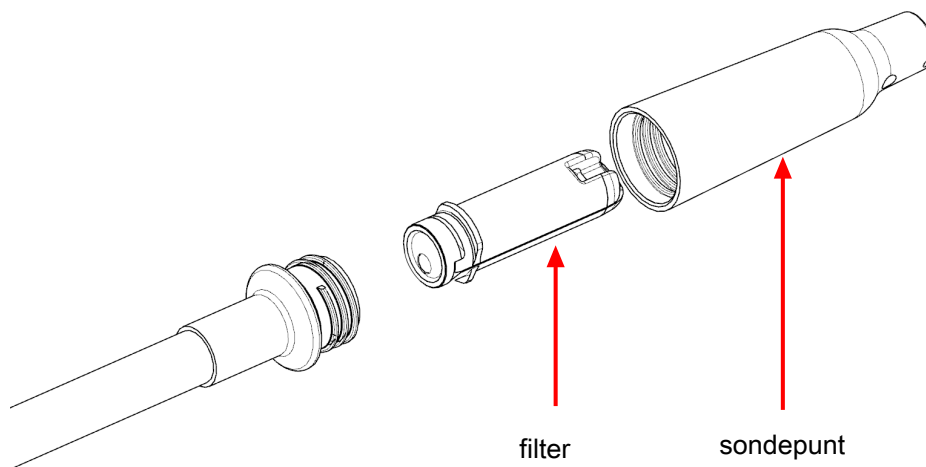


Vervangen van de sensor:

- 1 Druk op de uitwerpknop op de achterkant van D-TEK 3 en verwijder de batterijklep.
- 2 Pak het lipje voor het ontgrendelen van de sensor vast en trek het er voorzichtig uit.
- 3 Lijn de sensor uit met de rails.
- 4 Duw de sensor zachtjes langs de rails tot deze volledig is geplaatst.
⇒ Forceer de sensor niet. Als de sensor niet vrij kan schuiven, controleer dan de uitlijning en probeer het opnieuw.
- 5 Sluit het batterijklepje.

11 Vervanging van de filters

D-TEK 3 maakt gebruik van een hydrofoob filterpatroon dat lucht en koelmiddelen doorlaat terwijl het water, vuil en olie eruit filtert. Bekijk het witte doek om te bepalen of het filter moet worden vervangen. Als het doek verkleurd lijkt, installeer dan een nieuw filter. Het vervangen van het filter is ook een eenvoudige stap voor het oplossen van problemen als u vermoedt dat uw lekdetector de koelmiddelen niet goed detecteert. Een verstopt luchtfilter kan de bemonsteringsluchtstroom beperken.



Het blootstellen van het filter aan water of olie kan de luchtstroom blokkeren. Als dit gebeurt, verwijder dan het filter met de sonde naar beneden gericht om te voorkomen dat er verontreinigingen in de sonde terechtkomen en installeer een nieuw filter. Als het filter nat is, kan het na droging worden hergebruikt.



⚠ VOORZICHTIG

Gebruik het instrument nooit zonder sondepunt en filter.

Vervangen van het filter:

- 1 Schroef de sondepunt los en verwijder het filter.
- 2 Plaats het nieuwe filter in de sonde.
- 3 Schroef de sondepunt weer vast. Niet te vast aandraaien.

12 Extra lange sonde

De optionele extra lange vervangingssonde kan worden gebruikt om lekken op te sporen op moeilijk bereikbare plaatsen.

Om de extra lange sonde te installeren:

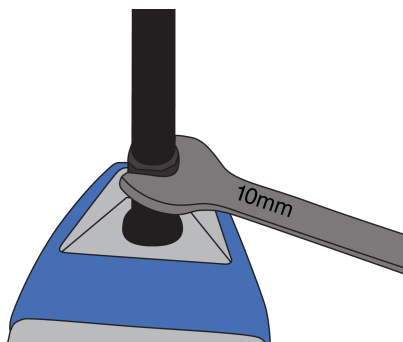
- 1 Schroef de standaardsonde van de D-TEK 3 body af met een 10 mm sleutel.
- 2 Schroef de extra lange sonde vast op ongeveer 35 in-lb (4 Nm). Niet te vast aandraaien.
- 3 Schroef de sondepunt van de standaardsonde en verwijder het filter (of gebruik een nieuwe).
- 4 Steek het filter in de extra lange sonde.
- 5 Schroef de sondepunt op de extra lange sonde. Niet te vast aandraaien.



⚠ VOORZICHTIG

Verwijder altijd de sonde met een 10 mm sleutel aan de basis van de sonde.

Als de sonde op een andere manier dan aangegeven wordt losgeschroefd, kan dit de sonde beschadigen.



13 Optionele sensors

Optionele sensors zijn beschikbaar voor gebruik in toepassingen met CO₂ (PN 724-701-G2) of ontvlambaar koelmiddel (PN 724-701-G3). Om de sensor voor CO₂ of ontvlambaar koelmiddel te gebruiken, moet de standaardsensor verwijderd worden. Monteer de nieuwe sensor aan de hand van de instructies in De sensor verwijderen en installeren [► 216]. D-TEK 3 herkent automatisch het sensortype, en de **MODE**-indicator verlicht de bijpassende kleur om het type sensor aan te geven dat de gehele tijd is gemonteerd. Groen geeft CO₂ aan, rood ontvlambaar koelmiddel en oranje geeft aan dat de standaardkoelmiddelsensor is gemonteerd.



Als D-TEK 3 niet automatisch uw sensor voor ontvlambaar koelmiddel herkent, neem dan contact op met INFICON om een softwaretest te regelen.



De sensor voor ontvlambaar koelmiddel detecteert geen waterstof, inclusief waterstofvormend gas.



Het wordt aanbevolen om tijdens het zoeken naar CO₂-lekken een adembescherming of masker te dragen om te voorkomen dat er CO₂ wordt uitgeademd in de richting van de sonde.



WAARSCHUWING

Blootstelling aan hoge concentraties van CO₂ of koelmiddelen is gevaarlijk en kan levensbedreigend zijn.

Het instrument is niet bedoeld voor gebruik in giftige en gevaarlijke omgevingen. Het is niet bedoeld voor persoonlijke bescherming en is ook geen levensreddend apparaat. Wees altijd bijzonder voorzichtig in potentiële giftige of gevaarlijke omgevingen.



WAARSCHUWING

Dit product is niet intrinsiek veilig en mag niet worden gebruikt in de aanwezigheid van explosieve dampen, explosief stof of andere explosieve chemicaliën. Gebruik in een omgeving met een concentratie van ontvlambaar koelmiddel dat de LEL (onderste explosielimiet) benadert kan een explosie of brand veroorzaken en zo leiden tot ernstig letsel, de dood of materiële schade.

14 Schoonmaak en opslag

D-TEK 3 kan worden gereinigd met een mild reinigingsmiddel of isopropylalcohol. Zorg ervoor dat er geen reinigingsmiddel in het instrument terecht komt. Reinig het apparaat niet met benzine, aceton of andere agressieve oplosmiddelen, omdat deze het plastic of het display kunnen beschadigen.

15 Vervangende onderdelen en accessoires

vervanging kunststof draagkoffer	721-700-G1
Oordopjes	721-607-G1
12 V (dc) autolader	721-605-G1
AC-wandlader (inclusief stekkers voor meerdere regio's)	721-606-G1
Lithium-ionbatterij	721-702-G1
Batterijlaadstation	721-610-G1
Combinatie van batterij en laadstation	721-604-G1
standaardsensor (detecteert CFK's, HCFK's, HFK's, HFO's en mengsels (inclusief A2L's))	724-701-G1
CO ₂ -sensor	724-701-G2
Ontvlambaar koelmiddel (HC)-sensor	724-701-G3
Filterpatronen (hoeveelheid, 5)	712-707-G1
Vervangende sondedop	712-705-G1
Verlenging van de naaldsonde	721-612-G1
Extra lange sonde	721-611-G1
TEK-controle R134a testlekkage	703-080-G10

16 Gids voor het oplossen van problemen

Probleem	Oorzaak	Oplossing
Het stroomlampje knippert snel rood.	Er is een accufout opgetreden. Dit kan worden veroorzaakt door een defecte accu of door een verkeerde installatie van de accu of een slechte verbinding.	Verwijder de accu en plaats deze terug. Als het probleem niet is opgelost, vervang dan de accu. Zie De lithium-ionbatterij verwijderen en installeren [► 215].
	De accu is boven of onder het ideale temperatuurbereik en wordt mogelijk niet goed opgeladen.	Laat de accu weer op normale temperatuur komen.
Alle leklampjes knipperen.	Er is een sensorfout opgetreden. Dit kan worden veroorzaakt door een defecte sensor of door een verkeerde installatie van de sensor of een slechte verbinding.	Verwijder de sensor en plaats deze terug. Als het probleem niet is opgelost, vervang dan de sensor. Zie De sensor verwijderen en installeren [► 216].
Na lang indrukken van de aan/uit-knop gaan de lampjes niet branden.	Het accuniveau is kritisch laag.	Laad de accu op of steek de stekker van het apparaat in een lader.
Het apparaat gaat aan maar detecteert geen koelmiddel.	Het apparaat is niet volledig opgewarmd.	Wacht tot de opwarming voltooid is. Dit kan 45 tot 90 seconden duren.
	Het filter is verstopt, waardoor de luchtstroom wordt beperkt.	Vervang de filterpatroon. Zie Vervanging van de filters [► 217].
	De pomp werkt niet.	Wacht op het geluid van de pomp. Als de pomp geen geluid maakt en de accu goed is opgeladen, neem dan contact op met INFICON.

Probleem	Oorzaak	Oplossing
	De gevoeligheid is te laag ingesteld (alleen in de modus Pinpoint).	Controleer het gevoeligheidsniveau. Voor zeer kleine lekken moet Hoog of Super worden gebruikt.
	De verkeerde sensor is geïnstalleerd.	Controleer of de juiste sensor wordt gebruikt (koelmiddelsensor of CO ₂ -sensor).
Het apparaat alarmeert in schone lucht.	De verkeerde sensor is geïnstalleerd.	Controleer of de koelmiddelsensor wordt gebruikt in plaats van de CO ₂ -sensor).
De pomp maakt geen geluid.	De pomp werkt niet.	Als de accu goed is opgeladen, neem dan contact op met INFICON.

17 Garantie en aansprakelijkheidsbeperking

INFICON garandeert dat uw D-TEK 3 koelmiddellekdetector en draagbare monitor gedurende één of twee jaar vrij zijn van materiaal- en fabricagefouten (afhankelijk van de regio) vanaf de datum van aankoop. INFICON geeft geen garantie voor items die bij normaal gebruik verslechteren, zoals batterijen, sensoren en filters. Bovendien geeft INFICON geen garantie voor instrumenten die zijn misbruikt, bij nalatigheid of ongeval, of die zijn gerepareerd of gewijzigd door iemand anders dan INFICON. De aansprakelijkheid van INFICON is beperkt tot instrumenten die uiterlijk dertig (30) dagen na afloop van de garantieperiode aan INFICON worden geretourneerd, franco worden vervoerd en waarvan INFICON oordeelt dat de defecten zijn veroorzaakt door gebrekkige materialen of vakmanschap. De aansprakelijkheid van INFICON is beperkt tot, naar eigen keuze, het herstellen of vervangen van het defecte instrument of onderdeel. Deze garantie komt in de plaats van alle andere expliciete of impliciete garanties, of het nu gaat om VERKOOPBAARHEID of GESCHIKTHEID VOOR GEBRUIK of anderszins. Al deze andere garanties worden uitdrukkelijk afgewezen. INFICON is niet aansprakelijk voor een hoger bedrag dan de prijs die aan INFICON voor het instrument is betaald, vermeerderd met de kosten voor het terugsturen van het instrument en de vooruitbetaalde transportkosten. INFICON is niet aansprakelijk voor incidentele of gevolgschade. Alle andere aansprakelijkheden zijn uitgesloten.

1 주의 및 경고	226
2 사양	227
3 D-TEK 3	229
4 배터리 충전.....	230
5 기기 켜기 및 사용 준비	231
6 Pinpoint 모드.....	231
7 Manual Zero 모드	232
8 이어버드 및 볼륨 조절.....	232
9 리튬 이온 배터리 분리 및 설치.....	233
10 센서 분리 및 설치	234
11 필터 교체	235
12 매우 긴 프로브	236
13 옵션 센서	237
14 청소 및 보관	238
15 교체 부품 및 액세서리.....	238
16 문제 해결 가이드.....	239
17 보증 및 책임 제한	240

1 주의 및 경고

주의:

- 5V(dc) $\pm 5\%$, 1A $\pm 5\%$ 출력의 인증된 충전기/코드만 사용하십시오.
- 온도가 극도로 높거나 낮은 위치에 장치를 두지 마십시오.
- 배터리를 액체에 노출시키지 마십시오.
- 배터리에서 손상이 발견되면 장치를 사용하지 마십시오.
- 배터리를 분해하거나 개조하지 마십시오.
- 현지 규정에 따라 배터리를 처리하고 폐기하십시오.
- 지정된 재충전 시간이 경과되었는데도 재충전 작업이 완료되지 않는 경우, 재충전을 즉시 중지하십시오.
- 충전하는 동안 배터리를 방치해 두지 마십시오.
- 배터리가 완전히 충전되면 충전기의 플러그를 뽑습니다.
- 리튬 이온 배터리를 잘못 사용하거나 폐기하면 화재가 발생할 수 있습니다.
- 높은 RF 환경은 오보의 원인이 될 수 있습니다.



⚠ 경고

이 기호는 사용자에게 중요한 작동 및 유지보수(정비) 지침이 존재하고 있음을 알려줍니다.



⚠ 경고

농도 수준이 높은 이산화탄소(CO₂)나 냉매는 위험하며 생명을 위협할 수 있습니다.

이 기기는 독성이 있거나 위험한 환경에서 사용하기 위한 것이 아닙니다. 또한 개인 보호 장치 또는 인명 구조 장치가 아닙니다. 잠재적으로 독성이 있거나 위험한 환경에서는 항상 각별히 주의하십시오.



⚠ 경고

본 제품은 방폭형 기기가 아니며 폭발성 연기, 폭발성 먼지 또는 기타 폭발성 화학물질이 있는 곳에서 사용할 수 없습니다. LEL(Lower Explosive Limit)과 가까운 농도의 가연성 냉매가 있는 환경에서 사용할 경우 폭발 또는 화재로 인한 심각한 부상, 사망 또는 자산 피해가 발생할 수 있습니다.

2 사양

용도	실내/실외
센서 유형	적외선
호환 냉매	
<ul style="list-style-type: none"> 냉매 센서 (표준, PN 724-701-G1) 	모든 CFC, HCFC, HFC, HFO, 혼합(A2L 포함)
<ul style="list-style-type: none"> CO₂ 센서(PN 724-701-G2) 	R744(이산화탄소)
<ul style="list-style-type: none"> 가연성 냉매(HC) 센서(PN 724-701-G3) 	R290, R600a, R441a(안전 경고 참조)
감도(EN14624 표준에 따라 테스트) ¹	
<ul style="list-style-type: none"> R134a 	1g/년(0.04oz/년)
<ul style="list-style-type: none"> R1234yf 	0.5g/년(0.02oz/년)
<ul style="list-style-type: none"> R290 	5g/년(0.2oz/년)
<ul style="list-style-type: none"> R744(CO₂) 	2g/년(0.07oz/년)
<ul style="list-style-type: none"> 암모니아 	3g/년(0.1oz/년)
배터리 유형	리튬 이온
충전 입력 유형	마이크로 USB
충전 시간(0%에서 시작)	약 3시간
배터리 수명	약 9시간
센서 수명	최대 2000시간
입력 전압	5V(dc) ±5%
입력 전류	1A ±5%
예열 시간	45~90초
온도 범위 및 습도	
<ul style="list-style-type: none"> 보관 	-20~60°C(-4~140°F)
<ul style="list-style-type: none"> 작동² 	-20~50°C(-4~122°F)
<ul style="list-style-type: none"> 충전 	0~45°C(32~113°F)
<ul style="list-style-type: none"> 습도 	95% RH NC 최대
고도	2000m(6500피트)
오염도	2
과전압 범주	2

무게(배터리 포함. 운반 케이스 또는 액세서리 제외)	0.44kg(0.97lb.)
-------------------------------	-----------------

¹ 최적의 성능과 특정 감도를 얻기 위해서는 D-TEK 3을(를) 사용하기 전에 15분 간 가동하는 것이 좋습니다.

² 0°C(32°F) 이하 온도에서의 사용은 제한되어야 합니다. 저온 환경에서 사용하기 전에는 예열 시간을 늘리는 것이 좋습니다.

EN 14624:2020에 따른 사양표

	R134a	R1234yf	R744(CO ₂)	암모니아 (R717)	R290
최소 감도, 고정(정적)	1g/년	0.5g/년	2g/년	3g/년	5g/년
최소 감도, 변동(동적)	1g/년	1g/년	2g/년	3g/년	5g/년
최소 응답/검출 시간	1초 미만	1초 미만	1초 미만	1초 미만	1초 미만
x/년의 누출에 대한 회복 시간 ³	7.6초	6.4초	13초	4초	4초
오염된 환경에서의 최소 감도	2g/년	1g/년	4g/년	3g/년	7g/년
보정 주기	보정 누설 표준으로 매년 점검				

³x = R134a: 32g/년

R1234yf: 35g/년

R744 >50g/년

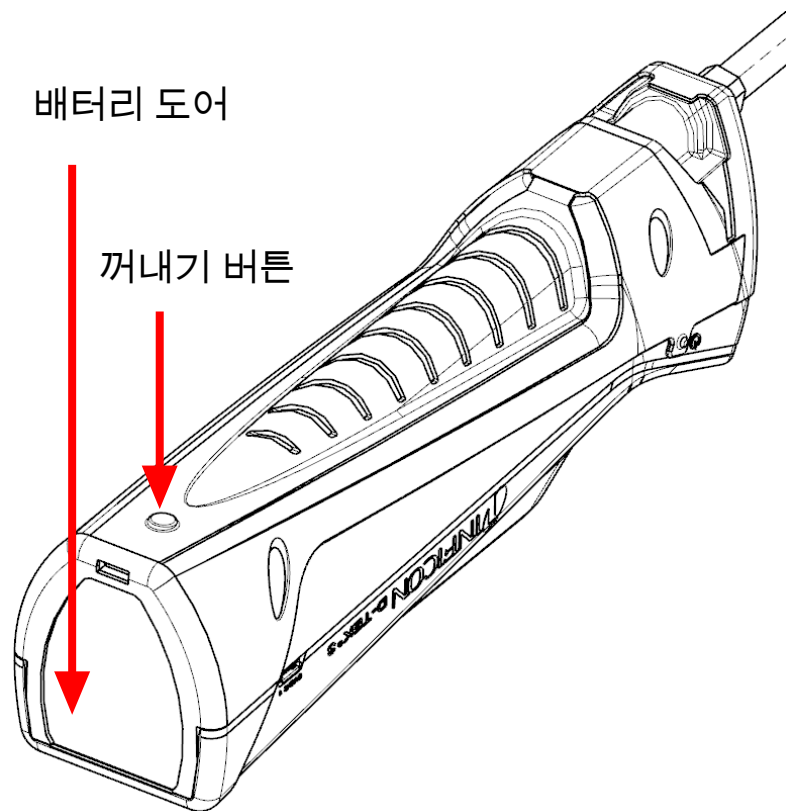
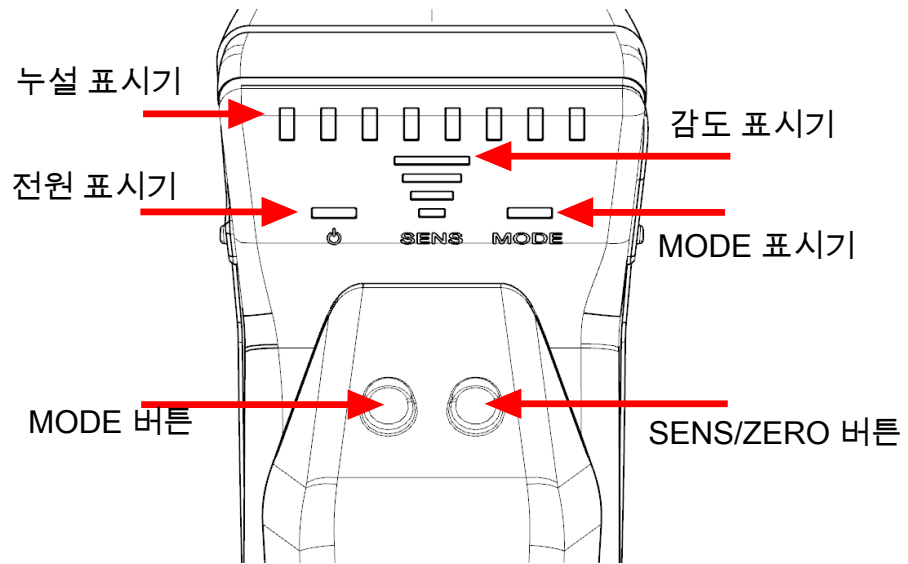
R717: 35g/년

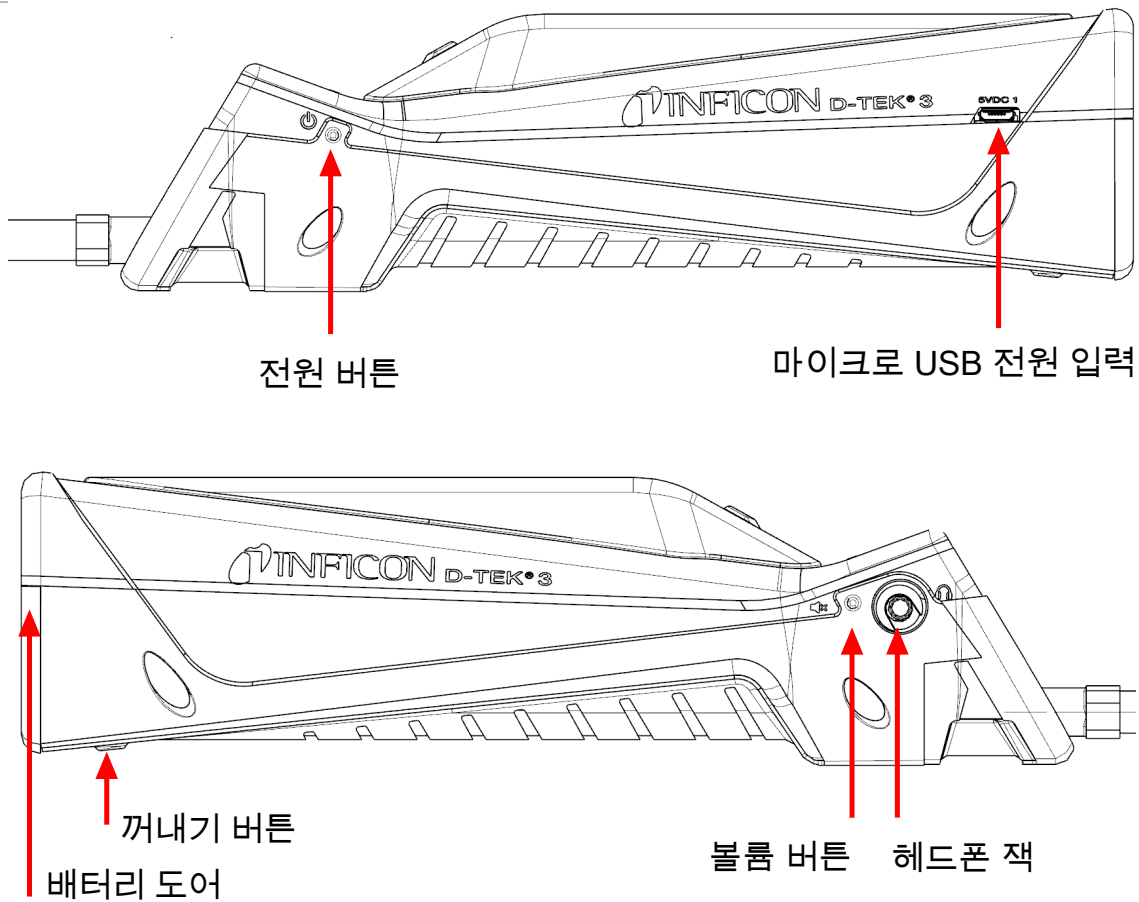
R290: 30g/년

특허(출원 중)

신청번호 #10 2018 208 826.8

3 D-TEK 3





4 배터리 충전

D-TEK 3은(는) 부분 충전되는 충전식 리튬 이온 배터리를 사용합니다. INFICON에서는 제품을 사용하기 전에 배터리를 충전할 것을 권장합니다. 제공된 충전기 또는 충전 거치대 액세서리를 사용하면 방전된 배터리를 약 2시간의 경우 80%, 약 3시간의 경우 100% 충전합니다. 완전히 충전된 경우 보통 작동 온도에 따라 9시간 작동 동안 지속됩니다. 전원 표시기가 배터리 잔량(%)을 표시합니다.

색상	충전율(%)
녹색	30% 초과
주황색	10-29%
빨간색	10% 미만



충전하면서 D-TEK 3을(를) 사용할 수 있습니다.

5 기기 켜기 및 사용 준비



화면이 켜지지 않으면 배터리가 부족하여 충전해야 하는 상태입니다. 충전하면서 D-TEK 3을(를) 사용할 수 있습니다.

- 1 D-TEK 3을(를) **켜거나(On) 끄려면(Off)** 전원 버튼(기기 몸체의 왼쪽에 위치)을 길게 누르십시오.
⇒ D-TEK 3은(는) 45~90초 동안 가변적으로 예열을 시작합니다. 예열이 완료되면 D-TEK 3을(를) 사용할 수 있습니다.
- 2 모드를 전환하려면 **MODE** 버튼을 누릅니다. **Pinpoint**와 **Manual Zero** 모드 간에 토글할 수 있습니다.



D-TEK 3은(는) 항상 가장 최근에 사용한 모드에서 시작합니다.

6 Pinpoint 모드

- 1 D-TEK 3의 끝 부분을 누설이 의심되는 곳에 최대한 가까이 두십시오(공기 흐름을 막지는 마십시오).
- 2 프로브를 천천히 움직여 누설이 의심되는 각 지점을 지나가십시오.
⇒ 누설이 감지되면 D-TEK 3에서 알람이 발생하고 누설 표시기에 불이 켜집니다.
- 3 누설이 식별되면 누설 지점에서 몇 초 동안 프로브를 당긴 후 해당 지점을 다시 점검하여 누설이 있는지 확인하십시오.



Pinpoint 모드에서 D-TEK 3은(는) 자동으로 배경 냉매 농도를 영점으로 설정하고 이보다 냉매 농도가 더 높은 경우에만 알람이 발생합니다. 이 경우에는 더 높은 냉매 농도를 계속 찾거나 농도가 더 낮은 영역으로 프로브를 몇 초 동안 이동하여 영점을 재설정하십시오.



SENS/ZERO 버튼을 눌러 감도 설정을 전환하십시오. 규모가 큰 누설 탐지 작업 시에는 더 낮은 감도 설정을 사용하여 누설 위치를 정확히 찾아내는 것이 더 쉬울 수 있습니다. 전류 감도는 감도(SENS) 표시기로 표시됩니다.

7 Manual Zero 모드

Manual Zero 모드는 **Pinpoint** 모드와 유사하게 작동하지만 **MODE** 표시기가 천천히 깜빡이는 것으로 이 모드를 식별할 수 있습니다. **Manual Zero** 모드에서 사용자는 **SENS/ZERO** 버튼을 눌러 배경 냉매에 대해 수동으로 영점 설정할 수 있습니다. 새로운 영점이 설정되면 D-TEK 3에서는 배경 냉매의 농도보다 더 높지 않은 한 알람이 발생되지 않습니다.

Manual Zero 모드는 다른 모드보다 영점에서 더 빠르게 삐 소리를 냅니다. 농도가 현재 영점보다 낮으면 삐 소리가 느리게 납니다. 이렇게 하면 사용자는 삐 소리 속도의 변화를 듣고 누설 지점에서 멀어지고 있는지를 알 수 있습니다.



Manual Zero 모드에서는 감도 설정이 없습니다.



Manual Zero 모드에서는 최적의 성능을 위해 최대 15분의 추가 예열 시간이 필요합니다.

8 이어버드 및 볼륨 조절

헤드폰 연결 잭은 D-TEK 3의 오른쪽에 위치하며, 헤드폰이나 이어버드로 알람을 들을 수 있습니다.



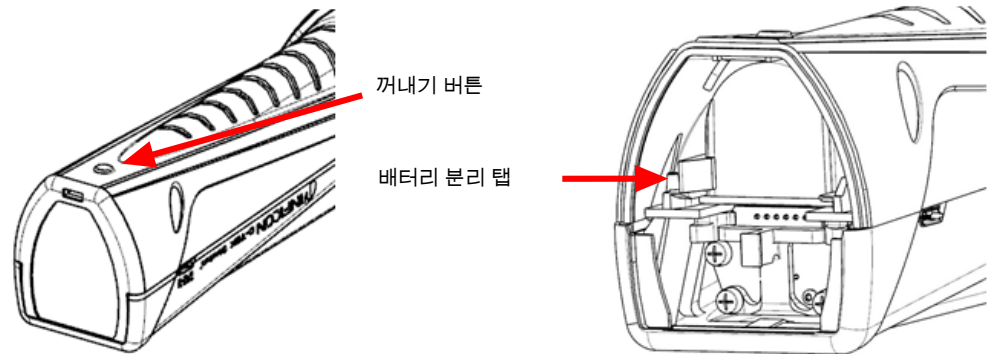
⚠ 경고

INFICON에서 제공하는 헤드폰을 사용하지 않는 경우, 청력 손상 방지를 위해 반드시 볼륨 테스트를 수행하십시오.

볼륨 버튼은 헤드폰 잭 옆에 있습니다. 볼륨 버튼을 눌러 100% 볼륨에서 50% 볼륨으로 전환하고 음소거로 전환합니다. 시작 시 볼륨 기본값은 100%입니다. 헤드폰 또는 이어버드를 꽂으면 볼륨이 100% 볼륨과 음소거 사이에서 전환됩니다.

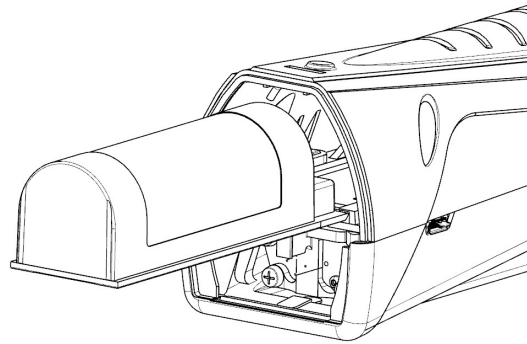
9 리튬 이온 배터리 분리 및 설치

1 D-TEK 3 뒷면에 있는 꺼내기 버튼을 누르고 배터리 도어를 제거합니다.



2 배터리가 나오기 시작할 때까지 배터리 분리 탭을 옆으로 움직여 배터리를 분리합니다. 배터리를 당겨서 빼냅니다.

3 배터리를 레일에 맞춥니다.



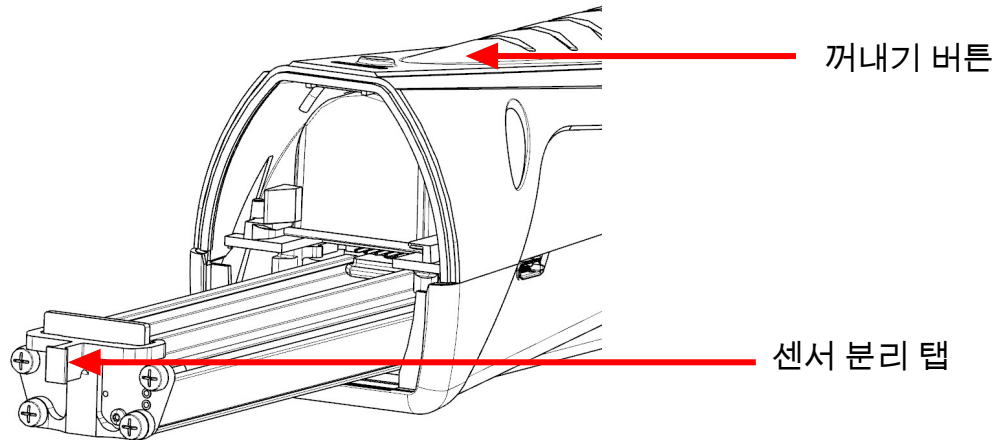
4 배터리 분리 탭이 맞물릴 때까지 레일을 따라 배터리를 조심스럽게 밀어 넣습니다.

⇒ 배터리를 역지로 밀어 넣지 마십시오. 배터리가 자연스럽게 들어가지 않으면 정렬 상태를 확인하고 다시 시도하십시오.

5 센서 분리 및 설치

10 센서 분리 및 설치

D-TEK 3 는 현장에서 쉽고 빠르게 제거 및 교체할 수 있는 카트리지 스타일의 센서를 사용합니다. INFICON 은 표준 센서 외에도, 냉동 공조 분야에 사용되는 CO₂ 전용 센서를 제공합니다. 교체 부품 및 액세서리 ▶ 238].

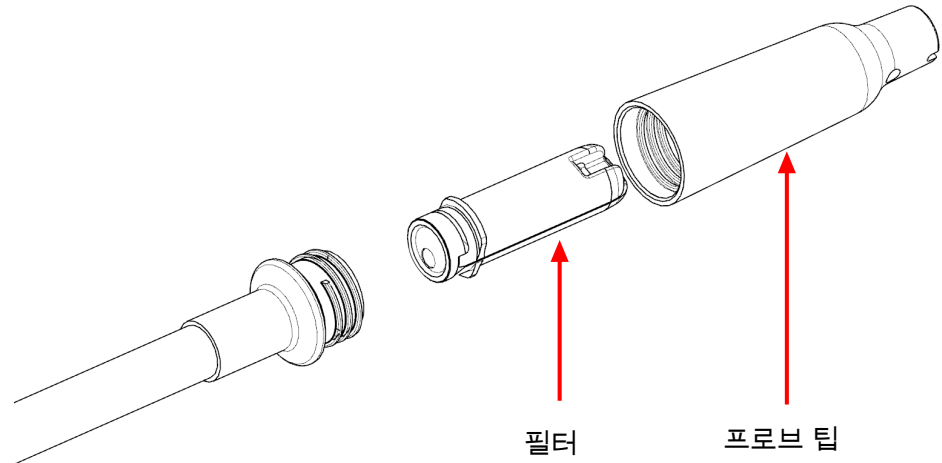


센서 교체 방법:

- 1 D-TEK 3 뒷면에 있는 꺼내기 버튼을 누르고 배터리 도어를 제거합니다.
- 2 센서 분리 탭을 잡고 센서를 부드럽게 당겨서 빼냅니다.
- 3 새 센서를 레일에 맞춥니다.
- 4 센서가 완전히 끼워질 때까지 레일을 따라 센서를 조심스럽게 밀어 넣습니다.
⇒ 센서를 역지로 밀어 넣지 마십시오. 자연스럽게 들어가지 않으면 정렬 상태를 확인하고 다시 시도하십시오.
- 5 배터리 도어를 다시 장착합니다.

11 필터 교체

D-TEK 3 는 공기와 냉매를 통과시키고 물, 먼지, 오일을 걸러낼 수 있는 소수성 필터 카트리지를 사용합니다. 흰색 천을 검사하여 필터를 교환해야 하는지 판단하십시오. 천이 변색되어 있으면 새 필터를 설치하십시오. 누설 검출기가 냉매를 제대로 검출하지 못한다고 의심되면 필터를 교체하는 것도 손쉬운 문제 해결 단계입니다. 필터가 막히면 샘플 공기 흐름을 방해할 수 있습니다.



필터를 물이나 오일에 의해 오염되면 공기 흐름이 차단될 수 있습니다. 이 경우에는 프로브가 오염되지 않도록 프로브가 아래로 향하게 한 상태로 필터를 제거하고 새 필터를 설치하십시오. 필터가 젖어 있는 경우에는 건조 후 다시 사용할 수 있습니다.



⚠ 주의

프로브 팁과 필터 없이 절대로 기기를 사용하지 마십시오.

필터 교체 방법:

- 1 프로브 팁을 풀고 필터를 제거합니다.
- 2 새 필터를 프로브에 삽입합니다.
- 3 프로브 팁을 조입니다. 과도하게 조이지는 마십시오.

12 매우 긴 프로브

매우 긴 교체 프로브를 사용해 검사하기 어려운 영역에서 누설 검사를 할 수 있습니다.

매우 긴 프로브 설치 방법:

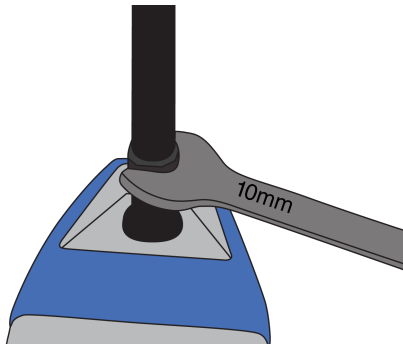
- 1 10mm 렌치를 사용하여 D-TEK 3 본체에서 표준 프로브를 풉니다.
- 2 매우 긴 프로브를 약 4N·m(35in·lb)로 조입니다. 과도하게 조이지는 마십시오.
- 3 표준 프로브에서 프로브 팁을 풀고 필터를 제거합니다(또는 새 프로브 사용).
- 4 필터를 매우 긴 프로브에 삽입합니다.
- 5 프로브 팁을 매우 긴 프로브에 끼웁니다. 과도하게 조이지는 마십시오.



⚠ 주의

항상 프로브 하단에서 10mm 렌치를 사용하여 프로브를 제거하십시오.

지정된 방식이 아닌 다른 방식으로 프로브를 풀 경우 프로브가 손상될 수 있습니다.



13 옵션 센서

CO₂(PN 724-701-G2) 또는 가연성 냉매(PN 724-701-G3) 작업에서 옵션 센서를 사용할 수 있습니다. CO₂ 또는 가연성 냉매 센서를 사용하려면 기본 센서를 제거하고 센서 분리 및 설치 [▶ 234]에 나와 있는 지침에 따라 새 센서를 설치합니다. D-TEK 3이(가) 자동으로 센서 유형을 인식하고 센서가 설치된 시간 내내 **MODE** 표시기가 센서 유형을 나타내는 색으로 켜집니다. 녹색은 CO₂를 나타내며, 빨간색은 가연성 냉매, 주황색은 기본 냉매 센서가 설치되었음을 나타냅니다.



D-TEK 3이(가) 가연성 냉매 센서를 자동으로 인식하지 않을 경우 INFICON에 연락해 소프트웨어 업데이트를 예약하십시오.



가연성 냉매 센서는 수소 포밍 가스를 포함한 수소를 탐지하지 못합니다.



CO₂ 누설을 찾는 동안에는 프로브 방향으로 CO₂를 내쉬지 않도록 인공호흡기 또는 마스크를 착용하는 것이 좋습니다.



⚠ 경고

농도 수준이 높은 이산화탄소(CO₂)나 냉매는 위험하며 생명을 위협할 수 있습니다.

이 기기는 독성이 있거나 위험한 환경에서 사용하기 위한 것이 아닙니다. 또한 개인 보호 장치 또는 인명 구조 장치가 아닙니다. 잠재적으로 독성이 있거나 위험한 환경에서는 항상 각별히 주의하십시오.



⚠ 경고

본 제품은 방폭형 기기가 아니며 폭발성 연기, 폭발성 먼지 또는 기타 폭발성 화학물질이 있는 곳에서 사용할 수 없습니다. LEL(Lower Explosive Limit)과 가까운 농도의 가연성 냉매가 있는 환경에서 사용할 경우 폭발 또는 화재로 인한 심각한 부상, 사망 또는 자산 피해가 발생할 수 있습니다.

14 청소 및 보관

D-TEK 3 는 순한 세제 또는 이소프로필 알코올로 청소할 수 있습니다. 세제가 기기에 들어가지 않도록 주의를 기울여야 합니다. 가솔린, 아세톤 또는 기타 강한 용제는 플라스틱이나 디스플레이를 손상시킬 수 있으므로 이러한 물질로 청소하지 마십시오.

15 교체 부품 및 액세서리

교체용 운반 케이스	721-700-G1
이어버드	721-607-G1
12V (dc) 자동차 충전기	721-605-G1
AC 벽 충전기(여러 지역의 플러그 포함)	721-606-G1
리튬이온 배터리	721-702-G1
배터리 충전 거치대	721-610-G1
배터리/충전 거치대 혼합	721-604-G1
표준 센서(CFC, HCFC, HFC, HFO, 혼합 (A2L 포함) 탐지)	724-701-G1
CO ₂ 센서	724-701-G2
가연성 냉매(HC) 센서	724-701-G3
필터 카트리지(수량: 5개)	712-707-G1
교체용 프로브 캡	712-705-G1
니들 프로브 익스텐션	721-612-G1
매우 긴 프로브	721-611-G1
TEK-Check R134a 누설 검사	703-080-G10

16 문제 해결 가이드

문제	원인	해결 방법
전원 표시기가 빨간색으로 빠르게 깜빡입니다.	배터리 오류가 발생했습니다. 이 문제는 배터리가 고장 났거나 잘못 설치되었거나 연결 상태가 좋지 않아 발생할 수 있습니다.	배터리를 분리한 후 다시 설치하십시오. 문제가 해결되지 않으면 배터리를 교체하십시오. 리튬 이온 배터리 분리 및 설치 [▶ 233]를 참조하십시오.
	배터리가 적정 온도 범위보다 높거나 낮으며 충전이 올바르게 되지 않았을 수 있습니다.	배터리가 정상 온도로 돌아가게 하십시오.
모든 누설 표시기가 깜빡입니다.	센서 오류가 발생했습니다. 이 문제는 센서가 고장 났거나 잘못 설치되었거나 연결 상태가 좋지 않아 발생할 수 있습니다.	센서를 분리한 후 다시 설치하십시오. 문제가 해결되지 않으면 센서를 교체하십시오. 센서 분리 및 설치 [▶ 234]를 참조하십시오.
전원 버튼을 길게 누른 후 표시기가 켜지지 않습니다.	배터리 잔량이 매우 적습니다.	배터리를 충전하거나 장치를 충전기에 연결하십시오.
장치가 켜지만 냉매를 검출하지 못합니다.	장치의 예열이 완료되지 않았습니다.	예열이 완료될 때까지 기다리십시오. 이 작업은 45~90초 걸립니다.
	필터가 막혀 공기 흐름이 제한됩니다.	필터 카트리지를 교체하십시오. 필터 교체 [▶ 235]를 참조하십시오.
	펌프가 고장 났습니다.	펌프 소리를 들어보십시오. 펌프에서 소리가 나지 않고 배터리가 제대로 충전되었다면 INFICON에 연락하십시오.
	감도가 너무 낮게 설정되어 있습니다(Pinpoint 모드 전용).	감도 수준을 확인하십시오. 매우 작은 누설의 경우 높음 또는 뛰어남 을 사용해야 합니다.

문제	원인	해결 방법
	맞지 않는 센서가 설치되었습니다.	올바른 센서(냉매 센서 또는 CO ₂ 센서)가 사용되고 있는지 확인하십시오.
장치가 깨끗한 공기에서 경보를 울립니다.	맞지 않는 센서가 설치되었습니다.	CO ₂ 센서 대신에 냉매 센서가 설치되어 있는지 확인하십시오.
펌프에서 소리가 나지 않습니다.	펌프가 고장 났습니다.	배터리가 제대로 충전되었다면 INFICON에 연락하십시오.

17 보증 및 책임 제한

INFICON은(는) 구매일로부터 1년 또는 2년(지역에 따라 다름)간 D-TEK 3 냉매 누설 탐지기의 정상 자재 또는 정상 작동을 보증합니다. INFICON은(는) 배터리, 센서, 필터 등 정상적인 사용 중에 성능이 저하되는 품목에 대해서는 보증하지 않습니다. 또한 INFICON은(는) 오용, 과실 또는 사고가 발생한 기기 또는 INFICON 담당자 이외의 사람이 수리하거나 변조한 기기를 보증하지 않습니다. INFICON의 책임은 보증 기간이 만료된 후 30일 이내에 운송료 선불로 INFICON에 반품된 기기, 그리고 INFICON이(가) 재료 또는 제조상 결함에 인한 오작동으로 판단한 경우로 제한됩니다. INFICON의 책임은 재량에 따라 결함 있는 기기 또는 부품을 수리하거나 교체하는 것으로 제한됩니다. 이 보증은 상업성이나 특정 목적 적합성 또는 기타의 여부와 상관없이 명시적이거나 묵시적인 다른 모든 보증을 대신합니다. 그러한 다른 모든 보증은 명시적으로 부인됩니다. INFICON은(는) INFICON에 지불된 기기 가격과 선불 반품 운송료를 합한 금액을 초과해서는 어떠한 책임도 지지 않습니다. INFICON은(는) 우발적 또는 간접적 손해에 대해 어떠한 책임도 지지 않습니다. 그러한 모든 책임은 배제됩니다.

1	Varování a upozornění	244
2	Specifikace	245
3	D-TEK 3	247
4	Nabíjení baterie	248
5	Zapnutí přístroje a příprava k použití	249
6	Režim Pinpoint (určování)	249
7	Režim Manual Zero (manuální vynulování)	250
8	Sluchátka a ovládání hlasitosti	250
9	Vyjmutí a vložení lithium-iontové baterie	251
10	Vyjmutí a vložení senzoru	252
11	Výměna filtrů	253
12	Velmi dlouhá sonda	254
13	Volitelné snímače	255
14	Údržba a skladování	256
15	Výměna součástí a doplňků	256
16	Návod k řešení problémů	257
17	Záruka a její omezení	258

1 Varování a upozornění

Varování:

- Používejte jen certifikovanou nabíječku / kabel s výstupem 5 V (dc) $\pm 5\%$, 1 A $\pm 5\%$.
- Nevystavujte přístroj extrémně vysokým nebo nízkým teplotám.
- Chraňte baterii před stykem s kapalinami.
- Pokud si všimnete, že je baterie nějak poškozená, přístroj nepoužívejte.
- Baterii nerozebírejte ani neopravujte.
- S baterií nakládejte a zlikvidujte ji v souladu s místními pokyny.
- Pokud nabíjení baterie selže, i když uplynula stanovená doba nabíjení, ihned další nabíjení ukončete.
- Když se baterie nabíjí, nenechávejte ji bez dohledu.
- Když je baterie úplně nabitá, vytáhněte nabíječku ze zásuvky.
- Nesprávné používání lithium-iontové baterie nebo nesprávné nakládání s ní může způsobit požár.
- Prostředí s intenzivními radiofrekvenčními přenosy může způsobit falešný alarm.



Výstraha

Tento symbol se používá k upozornění uživatele na důležité pokyny k obsluze a údržbě (servisu).



Výstraha

Expozice vysokým koncentracím CO₂ nebo chladiv je nebezpečná a může ohrozit život.

Tento přístroj není určen pro použití v toxickém nebo rizikovém prostředí. Nejedná se o prostředek osobní ochrany ani o záchranné zařízení. Při práci v potenciálně toxickém nebo rizikovém prostředí vždy zachovávejte extrémní opatrnost.



Výstraha

Tento produkt není zabezpečený a nesmí být používán v případě přítomnosti explozivního kouře, explozivního prachu nebo dalších explozivních chemických látek. Používání v prostředí s hořlavým chladivem v koncentraci blížící se LEL (dolnímu limitu výbušnosti atmosféry) může způsobit explozi nebo požár a vést k vážným zraněním, k usmrcení nebo k hmotným škodám.

2 Specifikace

Použití	vnitřní/venkovní
Typ senzoru	infračervené
Kompatibilní chladiva	
• Snímač chladiva (standardní, PN 724-701-G1)	Všechny CFC, HCFC, HFC, HFO a směsi (včetně třídy A2L)
• CO ₂ snímač (PN 724-701-G2)	R744 (oxid uhličitý)
• Snímač hořlavého (HC) chladiva (PN 724-701-G3)	R290, R600a, R441a (viz bezpečnostní instrukce)
Citlivost (testováno podle normy EN 14624) ¹	
• R134a	1 g/r. (0,04 oz/r.)
• R1234yf	0,5 g/r. (0,02 oz/r.)
• R290	5 g/r. (0,2 oz/r.)
• R744 (CO ₂)	2 g/r. (0,07 oz/r.)
• Amoniak	3 g/r. (0,1 oz/r.)
Typ baterie	Li-ion
Typ vstupu pro nabíjení	mikro USB
Doba nabíjení (zahájení při 0 %)	cca 3 hodiny
Životnost baterie	cca 9 hodin
Životnost snímače	Až 2000 hodin
Vstupní napětí	5 V (dc) ±5 %
Vstupní proud	1 A ±5 %
Doba zahřátí	45–90 vteřin
Rozsah teplot a vlhkost	
• Uchovávání	–20 až 60 °C (–4 až 140 °F)
• Provozní ²	–20 až 50 °C (–4 až 122 °F)
• Nabíjení	0 až 45 °C (32 až 113 °F)
• Vlhkost	Max. 95 % RH NC
Nadmořská výška	2000 m (6500 ft.)
Stupeň znečištění	2
Kategorie přepětí	2
Hmotnost (s baterií a bez obalu a doplňků)	0,44 kg (0,97 lb)

¹ K dosažení optimálního výkonu a specifické citlivosti se doporučuje nechat D-TEK 3 15 minut před použitím běžet.

² Používání při teplotách pod 0 °C (32 °F) by mělo být omezené. Před použitím při nízkých teplotách se doporučuje delší doba zahřátí.

Tabulka specifikací v souladu s normou ČSN EN 14624:2020

	R134a	R1234yf	R744 (CO ₂)	Amoniak (R717)	R290
Nejnižší citlivost, fixní (stálá)	1 g/r.	0,5 g/r.	2 g/r.	3 g/r.	5 g/r.
Nejnižší citlivost, pohyblivá (dynamická)	1 g/r.	1 g/r.	2 g/r.	3 g/r.	5 g/r.
Minimální odpověď/čas detekce	<1 s	<1 s	<1 s	<1 s	<1 s
Doba obnovy při expozici x g/r. ³	7,6 s	6,4 s	13 s	4 s	4 s
Nejnižší citlivost ve znečištěném prostředí	> 2 g/r.	1 g/r.	> 4 g/r.	3 g/r.	7 g/r.
Frekvence kalibrace	Jednou ročně zkontrolujte s kalibrovaným standardem úniku				

³x = R134a: 32 g/r.

R1234yf: 35 g/r.

R744: >50 g/r.

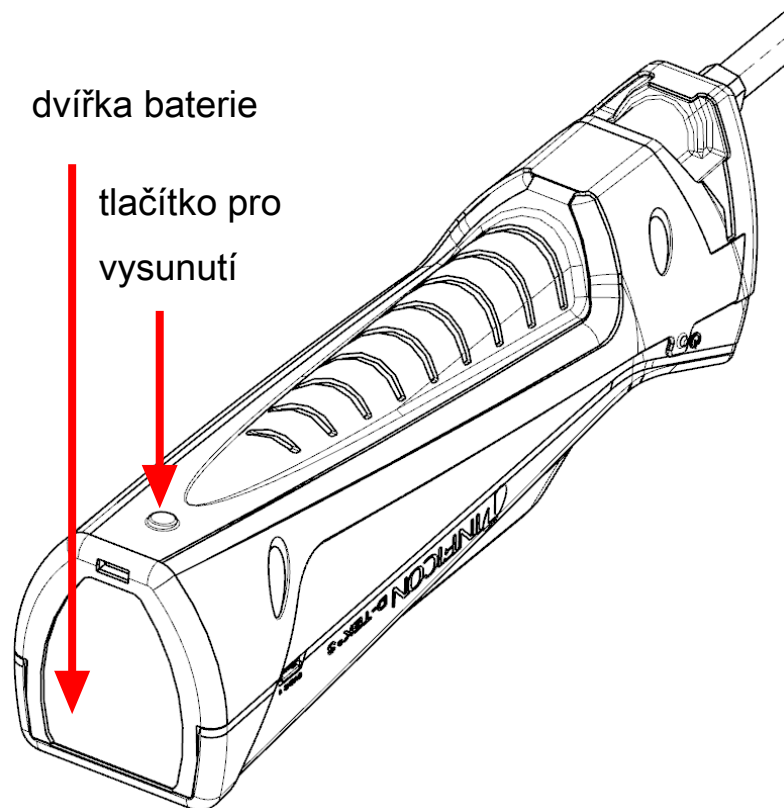
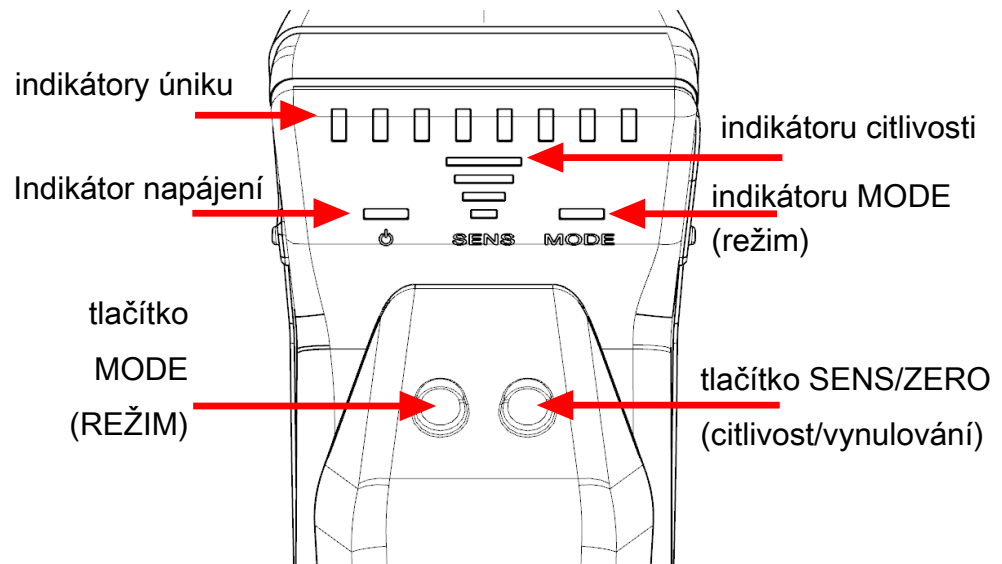
R717: 35 g/r.

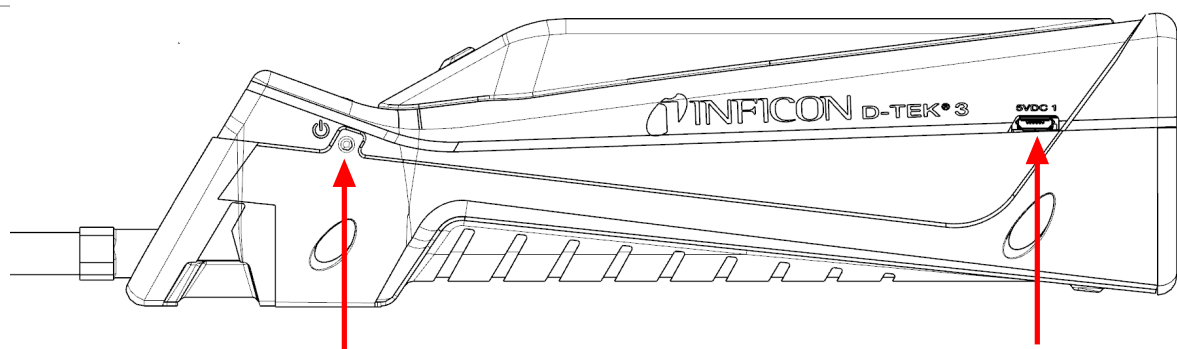
R290: 30 g/r.

Patenty (čekající)

Příhláška č. 10 2018 208 826.8

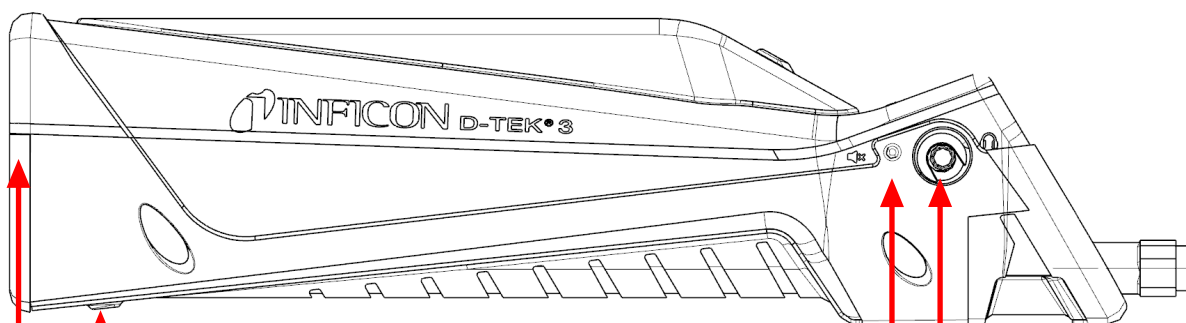
3 D-TEK 3





tlačítko power (napájení)

port pro napájení micro USB

tlačítko pro vysunutí
dvířka baterie

tlačítko volume (hlasitost)

jack na
sluchátka

4 Nabíjení baterie

D-TEK 3 používá nabíjecí lithium-iontovou baterii, která se dodává částečně nabitá. INFICON doporučuje baterii před použitím nabít. Při použití dodané nabíječky nebo konstrukce pro nabíjení se může vybitá baterie nabít na 80 % za cca 2 hodiny a 100 % za cca 3 hodiny. Úplné nabití většinou vydrží 9 hodin provozu v závislosti na provozní teplotě. Indikátor napájení ukazuje zbývající procento nabití baterie.

Barva	% nabití
Zelená	>30 %
Oranžová	10–29 %
Červená	<10 %



D-TEK 3 může být používán při nabíjení.

5 Zapnutí přístroje a příprava k použití



Pokud se obrazovka nespustí, není baterie dostatečně nabitá a musí se dobít. D-TEK 3 lze použít při nabíjení.

- 1 Dlouze podržte tlačítko power (zapnutí - umístěné na levé straně přístroje), pro uvedení do stavu **On** nebo **Off**.
⇒ D-TEK 3 začíná zahřívání s proměnlivým časem po dobu 45 až 90 sekund. Jakmile zahřívání skončí, je D-TEK 3 připravený k použití.
- 2 Pro přepnutí do režimů zmáčkněte tlačítko **MODE** (režim). Můžete přepínat mezi režimy **Pinpoint** (určování) a **Manual Zero** (manuální vynulování).



D-TEK 3 se vždy spustí v naposledy používaném režimu.

6 Režim Pinpoint (určování)

- 1 Umístěte špičku D-TEK 3 co nejbliž předpokládanému úniku (neblokujte proud vzduchu).
- 2 Pomalu posouvejte sondu po každém možném místě úniku.
⇒ Pokud je zjištěn únik, spustí se alarm D-TEK 3 a rozsvítí se indikátory úniku.
- 3 Když je únik zjištěn, vzdalte od něj sondu na několik vteřin a pak místo znovu zkontrolujte, abyste únik potvrdili.



V režimu **Pinpoint** (určování) se D-TEK 3 automaticky vynuluje na základní hodnotu koncentrace chladicího média a spustí alarm jen při vyšší koncentraci chladicího média. Když k tomuto dojde, buď v hledání vyšší koncentrace chladicího média pokračujte, nebo sondu na několik vteřin přemístěte tam, kde je koncentrace nižší, aby se špička resetovala.



Zmáčkněte tlačítko **SENS/ZERO** (citlivost/vynulování), pro návrat do režimu nastavení citlivosti. Když je únik velký, může být snazší určit místo úniku při nastavení nižší citlivosti. Aktuální citlivost je zobrazena pomocí indikátoru citlivosti (SENS).

7 Režim Manual Zero (manuální vynulování)

Režim **Manual Zero** (manuální vynulování) funguje podobně jako režim **Pinpoint** (určování), ale je indikován pomalým blikáním indikátoru **MODE** (režim). Režim **Manual (manuální) Zero** (vynulování) umožňuje uživateli přístroj manuálně vynulovat na základní hodnotu chladicího média zmáčknutím tlačítka **SENS/ZERO** (citlivost/vynulování). Jakmile je detektor vynulován, D-TEK 3 nespustí alarm, dokud nezaznamená vyšší koncentraci chladicího média.

Režim **Manual Zero** (manuální vynulování) v takovém případě pípá rychleji než ostatní režimy. Pokud je koncentrace nižší, pípání se zpomalí. Uživatel slyší, jak se mění rychlost pípání, a sleduje, jestli se vzdaluje od úniku.



V režimu **Manual Zero** (manuální vynulování) se nenastavuje citlivost.



Režim **Manual Zero** (manuální vynulování) vyžaduje až 15 minut navíc pro zahřátí, aby pracoval optimálně.

8 Sluchátka a ovládání hlasitosti

Na pravé straně D-TEK 3. je umístěn konektor typu jack pro sluchátka. Zvukové výstrahy tak můžete poslouchat pomocí sluchátek nebo peckových sluchátek.



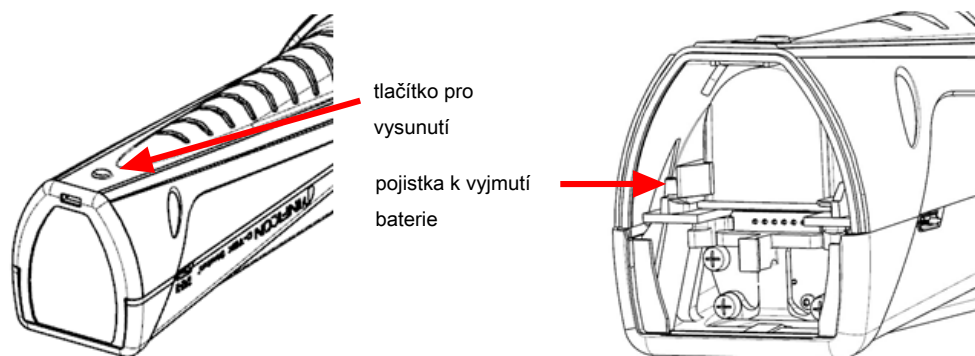
Výstraha

Pokud se pokusíte použít jiná sluchátka než ta, která dodal INFICON, předem je pečlivě vyzkoušejte, abyste si nepoškodili sluch.

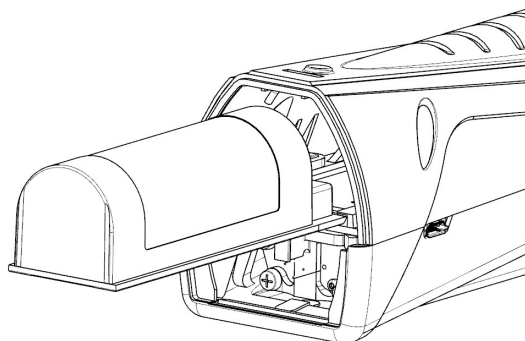
Tlačítko volume (hlasitost) je hned vedle konektoru pro sluchátka. Zmáčknutím tlačítka volume (hlasitost) přepínáte mezi 100% hlasitostí, 50% hlasitostí a ztlumením. Hlasitost je při zapnutí přednastavená na 100 %. Po připojení sluchátek nebo peckových sluchátek lze přepínat hlasitost od hodnoty 100 % až do úplného ztišení.

9 Vyjmutí a vložení lithium-iontové baterie

- 1 Zmáčkněte tlačítko pro vysunutí ve spodní části přístroje D-TEK 3 a vyjměte dvířka baterie.



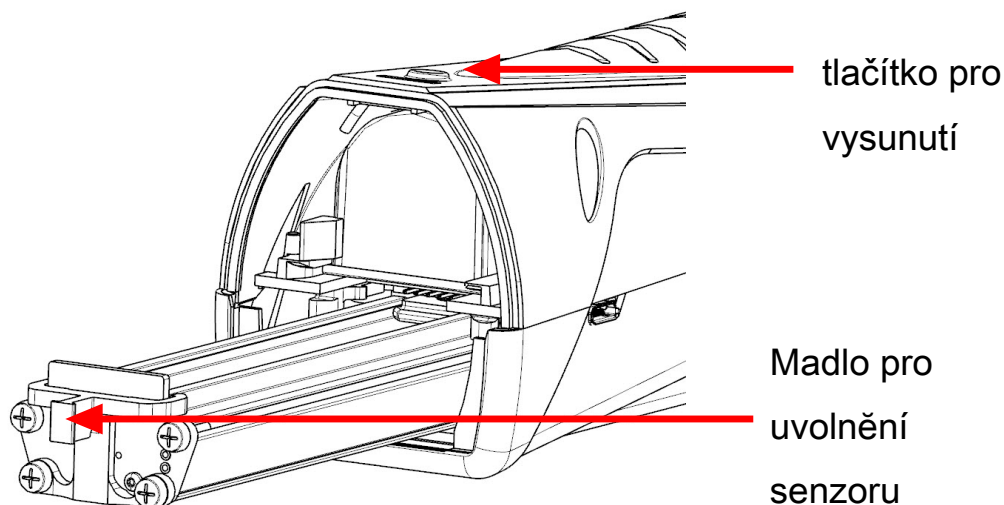
- 2 Posuňte pojistku, která drží baterii na místě tak, aby se baterie uvolnila. Baterii vysuňte.
- 3 Zasuňte baterii do kolejničky.



- 4 Baterii po kolejničce zlehka posouvejte, dokud se pojistka nevrátí na své místo.
⇒ Na baterii netlačte. Pokud se baterie neposouvá snadno, zkontrolujte, jestli je na kolejničce, a zkuste to znovu.
- 5 Vraťte dvířka baterie.

10 Vyjmutí a vložení senzoru

D-TEK 3 používá senzor ve stylu kazety, který je možno v terénu rychle a snadno vyjmout a vyměnit. Vedle standardního senzoru nabízí INFICON specifický CO₂ senzor pro použití v chladicím nebo klimatizačním zařízení. Viz Výměna součástí a doplňků [► 256].

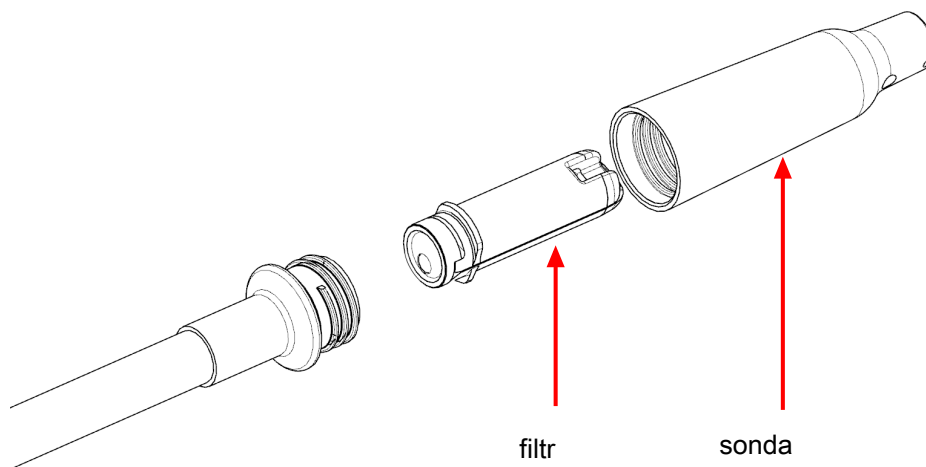


Výměna senzoru:

- 1 Zmáčkněte tlačítko pro vysunutí ve spodní části přístroje D-TEK 3 a vyjměte dvířka baterie.
- 2 Stiskněte pojistku, která drží senzor na místě, a zlehka ho vytáhněte.
- 3 Dejte na kolejničku nový senzor.
- 4 Jemně senzor po kolejničce posouvejte, dokud není úplně uvnitř.
 - ⇒ Na senzor netlačte. Pokud se neposouvá snadno, zkontrolujte, jestli je na kolejničce, a zkuste to znovu.
- 5 Vraťte dvířka baterie.

11 Výměna filtrů

D-TEK 3 používá hydrofobní filtrační vložku, takže jí prochází vzduch a chladicí médium, zatímco odfiltrává vodu, prach nebo olej. Prozkoumejte bílou tkaninu, abyste zjistili, jestli je potřeba filtr vyměnit. Pokud se zdá, že je zabarvená, vložte nový filtr. Když máte podezření, že detektor úniku zaznamenává chladicí médium nesprávně, může výměna filtru problém snadno vyřešit. Zanesený filtr může způsobit, že jí proudí méně vzorku vzduchu.



Vystavení filtru vodě nebo oleji může proudění zablokovat. Pokud k tomu dojde, vyjměte filtr a vložte nový s tím, že sonda směřuje dolů. Tak zabráníte kontaminaci sondy. Pokud je filtr vlhký, může se po uschnutí znovu použít.



⚠ POZOR

Nikdy nepoužívejte přístroj bez sondy a filtru.

Výměna filtru:

- 1 Odšroubujte sondu a filtr vyjměte.
- 2 Vložte do sondy nový filtr.
- 3 Sondu zašroubujte. Neutahujte ji příliš.

12 Velmi dlouhá sonda

Volitelnou součástí je prodloužená vyměnitelná sonda umožňující měření úniků na obtížně dostupných místech.

Vložení velmi dlouhé sondy:

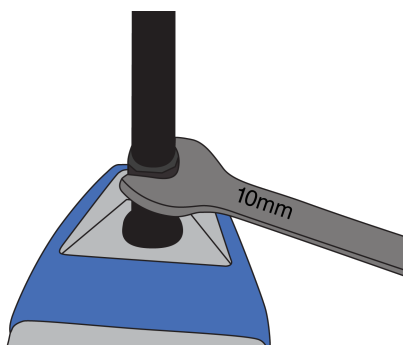
- 1 Odšroubujte standardní sondu z těla D-TEK 3 pomocí 10mm klíče.
- 2 Zašroubujte velmi dlouhou sondu na přibližně 35 in·lb (4 N·m). Neutahujte ji příliš.
- 3 Odšroubujte ze standardní sondy její špičku a vyjměte filtr (nebo použijte nový).
- 4 Vložte filtr do velmi dlouhé sondy.
- 5 Zašroubujte špičku sondy na velmi dlouhou sondu. Neutahujte ji příliš.



⚠ POZOR

Vždy vyjměte sondu pomocí 10mm klíče u základny sondy.

Odšroubování sondy jiným způsobem, než je uvedeno, může způsobit poškození sondy.



13 Volitelné snímače

Pro zařízení na detekci CO₂ (PN 724-701-G2) nebo hořlavého chladiva (PN 724-701-G3) jsou dostupné volitelné snímače. Pro použití snímače detekce CO₂ nebo hořlavého chladiva sejměte standardní snímač a namontujte nový dle instrukcí v části Vyjmutí a vložení senzoru [▶ 252]. D-TEK 3 automaticky rozpozná typ snímače a následně se rozsvítí ukazatel **REŽIMU** v příslušné barvě pro signalizaci typu snímače po celou dobu, kdy je daný snímač na přístroji nasazen. Zelená signalizuje snímač CO₂, červená snímač hořlavého chladiva a oranžová signalizuje standardní snímač chladiva.



Pokud přístroj D-TEK 3 automaticky nerozpozná váš snímač hořlavého chladiva, kontaktujte INFICON pro aktualizaci softwaru.



Snímač hořlavého chladiva není schopen detekovat vodík, včetně formovacích plynů obsahujících vodík.



Při vyhledávání úniků CO₂ doporučujeme používat respirátor nebo obličejovou masku pro zamezení vdechování CO₂ během testování.



⚠ Výstraha

Expozice vysokým koncentracím CO₂ nebo chladiv je nebezpečná a může ohrozit život.

Tento přístroj není určen pro použití v toxickém nebo rizikovém prostředí. Nejedná se o prostředek osobní ochrany ani o záchranné zařízení. Při práci v potenciálně toxickém nebo rizikovém prostředí vždy zachovávejte extrémní opatrnost.



⚠ Výstraha

Tento produkt není zabezpečený a nesmí být používán v případě přítomnosti explozivního kouře, explozivního prachu nebo dalších explozivních chemických látek. Používání v prostředí s hořlavým chladivem v koncentraci blízké se LEL (dolnímu limitu výbušnosti atmosféry) může způsobit explozi nebo požár a vést k vážným zraněním, k usmrcení nebo k hmotným škodám.

14 Údržba a skladování

D-TEK 3 můžete čistit neagresivním čisticím prostředkem nebo izopropylalkoholem. K čištění nepoužívejte benzín, aceton ani jiný agresivní roztok, protože mohou poničit plast nebo displej.

15 Výměna součástí a doplňků

náhradní obal	721-700-G1
sluchátka	721-607-G1
12V (DC) nabíječka do auta	721-605-G1
AC nabíječka do zdi (včetně zástrček pro různé regiony)	721-606-G1
lithium-iontová baterie	721-702-G1
konstrukce pro nabíjení baterie	721-610-G1
kombinace baterie/konstrukce pro nabíjení	721-604-G1
standardní senzor (zaznamenává CFC, HCFC, HFC, HFO a směsi (včetně A2L))	724-701-G1
CO ₂ senzor	724-701-G2
Snímač hořlavého (HC) chladiva	724-701-G3
filtrové vložky (5 kusů)	712-707-G1
náhradní vršek sondy	712-705-G1
Jehla k prodloužení sondy	721-612-G1
Velmi dlouhá sonda	721-611-G1
TEK-Check R134a test úniku	703-080-G10

16 Návod k řešení problémů

Problém	Příčina	Řešení
Indikátor napájení bliká rychle červeně.	Objevil se problém s baterií. Příčinou může být selhání baterie nebo nesprávné vložení baterie, případně slabý signál.	Baterii vyjměte a znovu vložte. Pokud to problém nevyřeší, baterii vyměňte. Viz Vyjmutí a vložení lithium-iontové baterie [▶ 251].
	Baterie je nad nebo pod ideálním teplotním rozsahem a nemůže se správně nabíjet.	Umožněte, aby se baterie znovu dostala do normální teploty.
Všechny indikátory úniku blikají.	Objevil se problém se senzorem. Příčinou může být selhání senzoru nebo nesprávné vložení senzoru, případně slabý signál.	Senzor vyjměte a znovu vložte. Pokud to problém nevyřeší, senzor vyměňte. Viz Vyjmutí a vložení senzoru [▶ 252].
Indikátory se po dlouhém stisknutí tlačítka napájení nerozsvítí.	Baterie je velmi málo nabitá.	Nabijte baterii nebo dejte přístroj do nabíječky.
Přístroj se zapne, ale chladicí médium nezaznamená.	Přístroj ještě nedokončil zahřívání.	Počkejte, až se zahřátí dokončí. Trvá to 45 až 90 vteřin.
	Filtr je zanesený a brání to proudění vzduchu.	Vyměňte filtrovou vložku. Viz Výměna filtrů [▶ 253].
	Čerpadlo selhalo.	Poslouchejte zvuk čerpání. Pokud není nic slyšet a baterie je správně nabitá, kontaktuje společnost INFICON.
	Je nastavená příliš nízká citlivost (jen u režimu Pinpoint (určování)).	Ověřte hladinu citlivosti. U velmi malých úniků by měla být použita High (vysoká) nebo Super (super vysoká) citlivost.
	Je vložen nesprávný senzor.	Ověřte, že byl použit správný senzor (senzor pro chladicí médium nebo CO ₂ senzor).

Problém	Příčina	Řešení
V nekontaminovaném čistém vzduchu se spustí alarm.	Je vložen nesprávný senzor.	Ověřte, že místo CO ₂ senzoru je vložen senzor pro chladicí médium.
Čerpadlo není slyšet.	Čerpadlo selhalo.	Pokud je baterie správně nabitá, kontaktujte INFICON.

17 Záruka a její omezení

INFICON zaručuje, že váš detektor úniku chladiva D-TEK 3 bude bez vad materiálu nebo zpracování po dobu jednoho nebo dvou let (v závislosti na regionu) od data nákupu. INFICON neručí za ty části, které se poškozuji při běžném používání, včetně baterií, senzorů a filtrů. INFICON dále neručí za žádný přístroj, který byl nesprávně použit, zanedbán nebo se s ním stala nehoda či byl opraven nebo pozměněn někým jiným než INFICON. INFICON ručí jen za přístroje vrácené INFICON, u kterých byla doprava předem zaplacená, a to nejpozději třicet (30) dnů po uplynutí záruky, a u kterých INFICON rozhodne o závadě způsobené vadnými materiály nebo zpracováním. INFICON rozhodne, jestli poškozený přístroj nebo jeho součást opraví nebo vymění. Tato záruka nahrazuje všechny jiné záruky (vyjádřené přímo nebo přímo), ať už PRODEJEM, nebo URČENÍM PRO DANÝ ÚČEL aj. Všechny jiné záruky jsou výslovně dementovány. INFICON neručí za zaplacení vyšší částky za přístroj ani za přeplatek za dopravu ve prospěch INFICON. INFICON neručí za jakákoliv náhodná poškození. Všechny takové záruky jsou VYLOUČENY.



Two Technology Place
East Syracuse, NY 13057-9714 USA
Phone: +1.800.344.3304
E-Mail: service.tools@inficon.com
www.inficonservicetools.com

Bonner Strasse 498
D-50968 Cologne, Germany
Phone: +49 221 56788-660
E-Mail: servicetools.europe@inficon.com
www.inficonservicetools-europe.com

Section A, Building 6
108 Shuya Road, Shanghai, China
Phone: +86-21-62093094
Email: reach.china@inficon.com

Korea
Phone: +82-31-206-2890
Email: reach.korea@inficon.com

Japan
Phone: +81-44-322-8901
Email: reach.japan@inficon.com

Singapore
Phone: +65-6631-0303
Email: reach.singapore@inficon.com

Taiwan
Phone: +886-3-5525828
Email: reach.taiwan@inficon.com