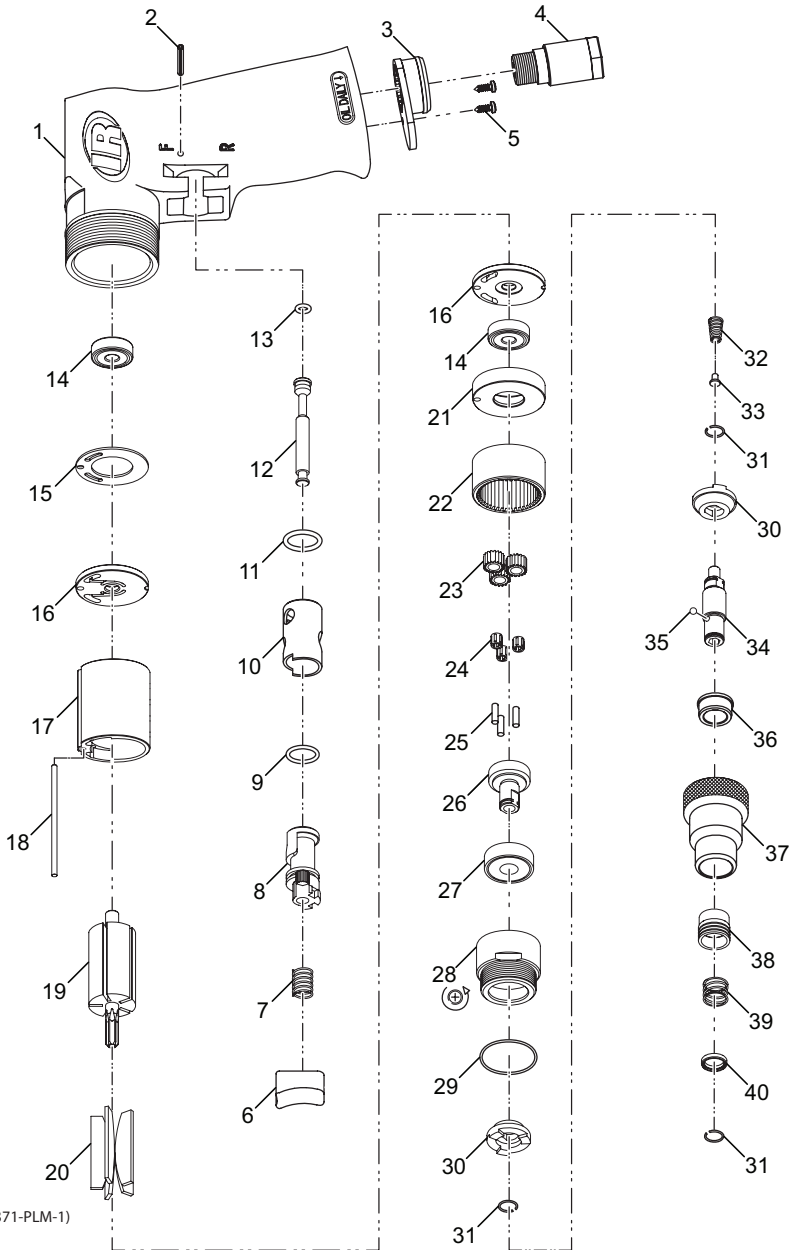


371-A, Air Pistol Grip Screwdriver - Exploded View



(Dwg. TL-371-PLM-1)



## 371-A, Air Pistol Grip Screwdriver - Parts List

Item	Part Description	Part Number	Item	Part Description	Part Number
	Motor Housing Assembly	371-A-A40	20	Vane Pack (set of 5)	371-A-42-5
1	Motor Housing	---	21	Spacer	371-A-208
*	NamePlate Label	371-A-301	22	Ring Gear	371-A-406
*	Warning Label	WARNING-41-99	23	Planet Gear (3 required)	371-A-10
2	Spring Pin	371-A-64	24	Needle Bearing (3 required)	371-A-97
3	Exhaust Adaptor	371-A-123	25	Spindle Pin (3 required)	371-A-120
4	Air inlet	371-A-565	26	Spindle	371-A-8
5	Screw (2 required)	371-A-70	27	Bearing	371-A-22
6	Trigger	371-A-93	28	Clamp Nut	371-A-27
7	Valve Spring	371-A-51	29	O-Ring	371-A-367
8	Reverse Valve	371-A-329	30	Clutch Jaw (2 required)	371-A-588
9	O-Ring	371-A-67	31	Retaining Ring (3 required)	371-A-1
10	Reverse Valve Bushing	371-A-330	32	Spring	371-A-583
11	O-Ring	371-A-66	33	Spring Guide	371-A-623
12	Throttle Valve	371-A-302	34	Bit Holder	371-A-20
13	O-Ring	371-A-65	35	Bit Retaining Ball	371-A-13
14	Bearing (2 required)	371-A-61	36	Clutch Bushing	371-A-19
15	Motor Gasket	371-A-36	37	Clutch Housing	371-A-580
16	End Plate (2 required)	371-A-11	38	Bit Retaining Sleeve	371-A-931
17	Cylinder	371-A-3	39	Spring	371-A-4
18	Dowel Pin	371-A-98	40	Washer	371-A-2
19	Rotor	371-A-53			

\* Indicates not illustrated

## Parts and Maintenance

When tool life has expired, it is recommended that the tool be disassembled, degreased and parts separated by material for proper recycling.

Tool repair and maintenance should only be carried out by an authorized Service Center.

Refer all communications to the nearest **Ingersoll Rand** office or distributor.

## Related Documentation

Manuals can be downloaded from [ingersollrand.com](http://ingersollrand.com)

For additional information, refer to:

Product Safety Information Manual 04585006

Product Information Manual TL-371-PIM

Declaration of Conformity TL-371-DOC