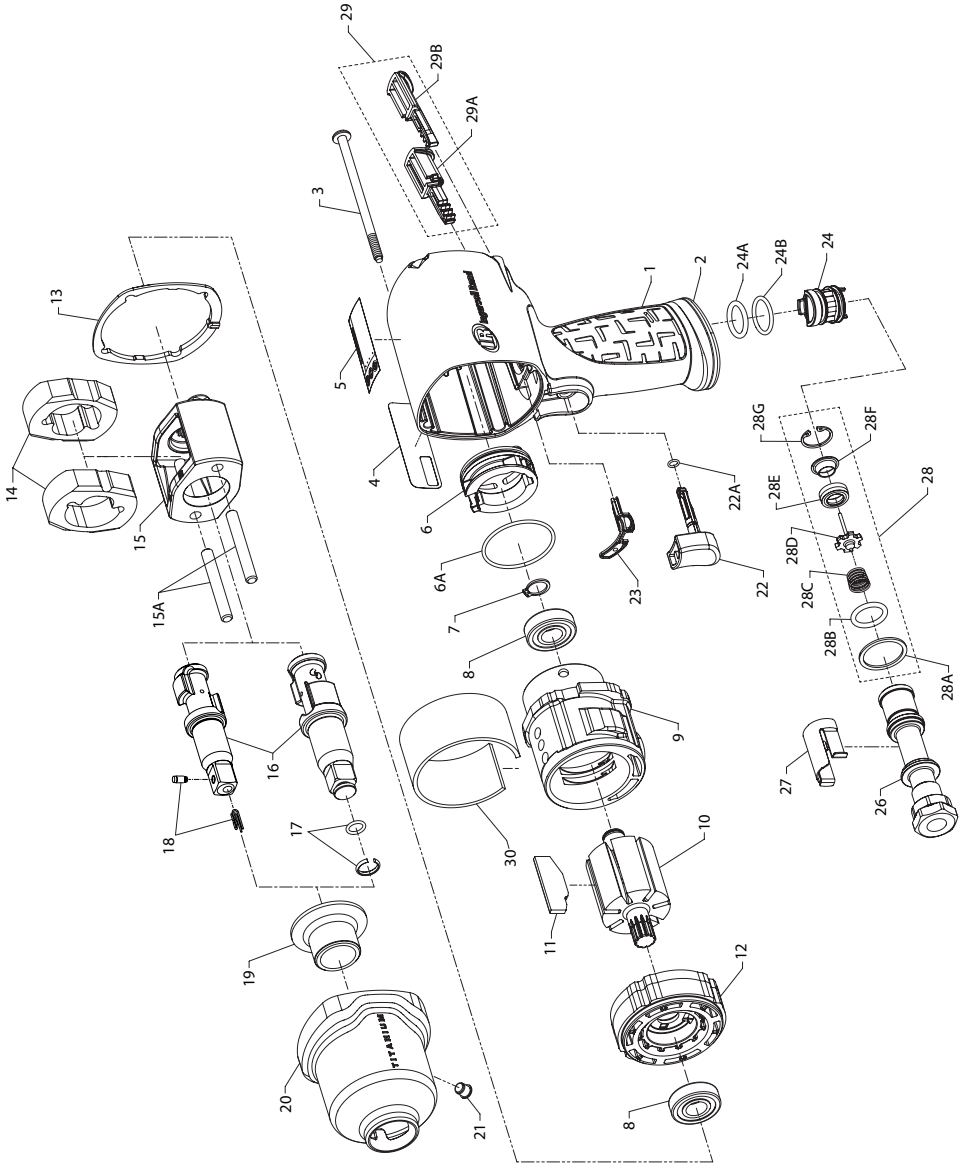


# 2135TiMAX Series Air Impactool™ - Exploded View



(Dwg. 45536026)

## 2135TiMAX Series Air Impactool™ - Parts List

Item	Part Description	Part Number	Item	Part Description	Part Number	
*	Housing Assembly		†18	Socket Retainer Kit		
	for model 2135TiMAX	2135TiMAX-A40		for models 2135PTiMAX, 2135PTiMAX-A and 2135QPTiMAX (1/2" Pin-type)	2125PTi-K425	
	for model 2135Ti-2MAX	2135Ti-2MAX-A40		Socket Retainer Spring	---	
	for model 2135QTiMAX	2135QTiMAX-A40		Socket Retainer Pin	---	
	for model 2135QTi-2MAX	2135QTi-2MAX-A40		19	Bushing, Hammer Case	2135-941
	for model 2135PTiMAX	2135PTiMAX-A40		*	Hammer Case Assembly	2135-D727A
	for model 2135QPTiMAX	2135QPTiMAX-A40		19	Bushing, Hammer Case	---
1	Housing	---	20	Hammer Case	---	
2	Exhaust Deflector	---	21	Grease Fitting	---	
4	Information Label	---	21	Grease Fitting	1305R-188	
5	Warning Label	---	† *	Trigger Assembly	2135-D93B	
23	Gasket, Motor	---	22	Trigger	---	
*	Reverse Valve Assembly	---	22A	O-Ring, Trigger	---	
29	Button Kit	---	† 23	Gasket, Motor	2131-283	
3	Screw, Hammer Case (4 required)	2135-638	*	Reverse Valve Assembly	2131-A329	
4	Information Label		24	Reverse Valve	---	
	for model 2135TiMAX	2135TiMAX-300	24A	O-Ring, Reverse Valve (Top-Black)	---	
	for model 2135Ti-2MAX	2135Ti-2MAX-300	24B	O-Ring, Reverse Valve (Bottom-Blue)	---	
	for model 2135QTiMAX	2135QTiMAX-300	*	Inlet Bushing Assembly	2135-D565A	
	for model 2135QTi-2MAX	2135QTi-2MAX-300	26	Inlet Bushing	---	
	for model 2135PTiMAX	2135PTiMAX-300	27	Inlet Clip	2131-57	
	for model 2135QPTiMAX	2135QPTiMAX-300	28	Inlet Parts Kit	2135-K303	
5	Warning Label	WARNING-2-99	28A	Washer	---	
*	Power Regulator Assembly	2135-D249A	28B	O-Ring, Seal	---	
6	Power Regulator	---	28C	Throttle Spring	---	
6A	O-Ring, Power Regulator	---	28D	Throttle Valve	---	
7	Retaining Ring	2131-6	28E	Valve Seat	---	
8	Ball Bearing (2 required)	2131-97	28F	Seat Support	---	
9	Cylinder	2135-3	28G	Retainer	---	
10	Rotor	2135-53	29	Button Kit	2135-K75	
† 11	Vane Pack (set of 7)	2135-42A-7	29A	Forward Button	---	
12	End Plate	2131-11	29B	Reverse Button	---	
† 13	Hammer Case Gasket	2135-36	30	Silencer (for models 2135QTiMAX, 2135QTi-2MAX and 2135QPTiMAX)	2131QT-311	
*	Hammer Kit		*	Tune-Up Kit	2135-TK2	
	for models 2135TiMAX and 2135QTiMAX	2135-THK1	6A	O-Ring, Power Regulator	---	
	for models 2135Ti-2MAX and 2135QTi-2MAX	2135-2THK1	7	Retaining Ring	---	
13	Hammer Case Gasket	---	8	Ball Bearing (2)	---	
	Hammer (2)	---	11	Vane Pack (set of 7)	---	
15A	Hammer Pin (2)	---	13	Hammer Case Gasket	---	
*	Anvil Assembly	---	17	O-Ring	---	
*	Kit Grease	---	18	Socket Retainer	---	
*	Hammer Frame Kit	2135-K703	22A	O-Ring, Trigger	---	
15	Hammer Frame	---	23	Gasket, Motor	---	
15A	Hammer Pin (2)	---	24A	O-Ring, Reverse Valve (Top-Black)	---	
*	Kit Grease	---	24B	O-Ring, Reverse Valve (Bottom-Blue)	---	
*	Anvil Assembly		28	Inlet Parts Kit	---	
	for models 2135TiMAX and 2135QTiMAX	231B-A626	*	Inlet Clip Removal Tool	2131-322	
	for models 2135Ti-2MAX and 2135QTi-2MAX	231B-A414	† *	Air Care Kit (grease gun, grease, oil)	115-LBK1	
16	Anvil	---	*	Grease (replacement tube for -LBK1)	115-4T	
	Socket Retainer Kit	---	*	Air Tool Oil (4 oz. bottle)	1024	
†17	Socket Retainer Kit		*	Grease (1 lb can)	105-1LB	
	for models 2135TiMAX, 2135QTiMAX, 2135Ti-2MAX, and 2135QTi-2MAX (1/2" Ring-type)	2125QTi-K425	*	Grease (8 lb can)	105-8LB	
	O-Ring	---	*	Grease Gun	R000A2-228	
	Socket Retainer	---				

\* Indicates not illustrated.

† Indicates common-wear parts. Maintain stock to reduce downtime.

## Parts and Maintenance

When tool life has expired, it is recommended that the tool be disassembled, degreased and parts separated by material for proper recycling.

Tool repair and maintenance should only be carried out by an authorized Service Center.

Refer all communications to the nearest **Ingersoll Rand** office or distributor.

## Related Documentation

Manuals can be downloaded from [ingersollrandproducts.com](http://ingersollrandproducts.com)

For additional information, refer to:

Product Safety Information Manual 04580916.

Product Information Manual 45534062.



ingersollrandproducts.com

© 2018 Ingersoll Rand

45534070

Edition 5

January 2018