

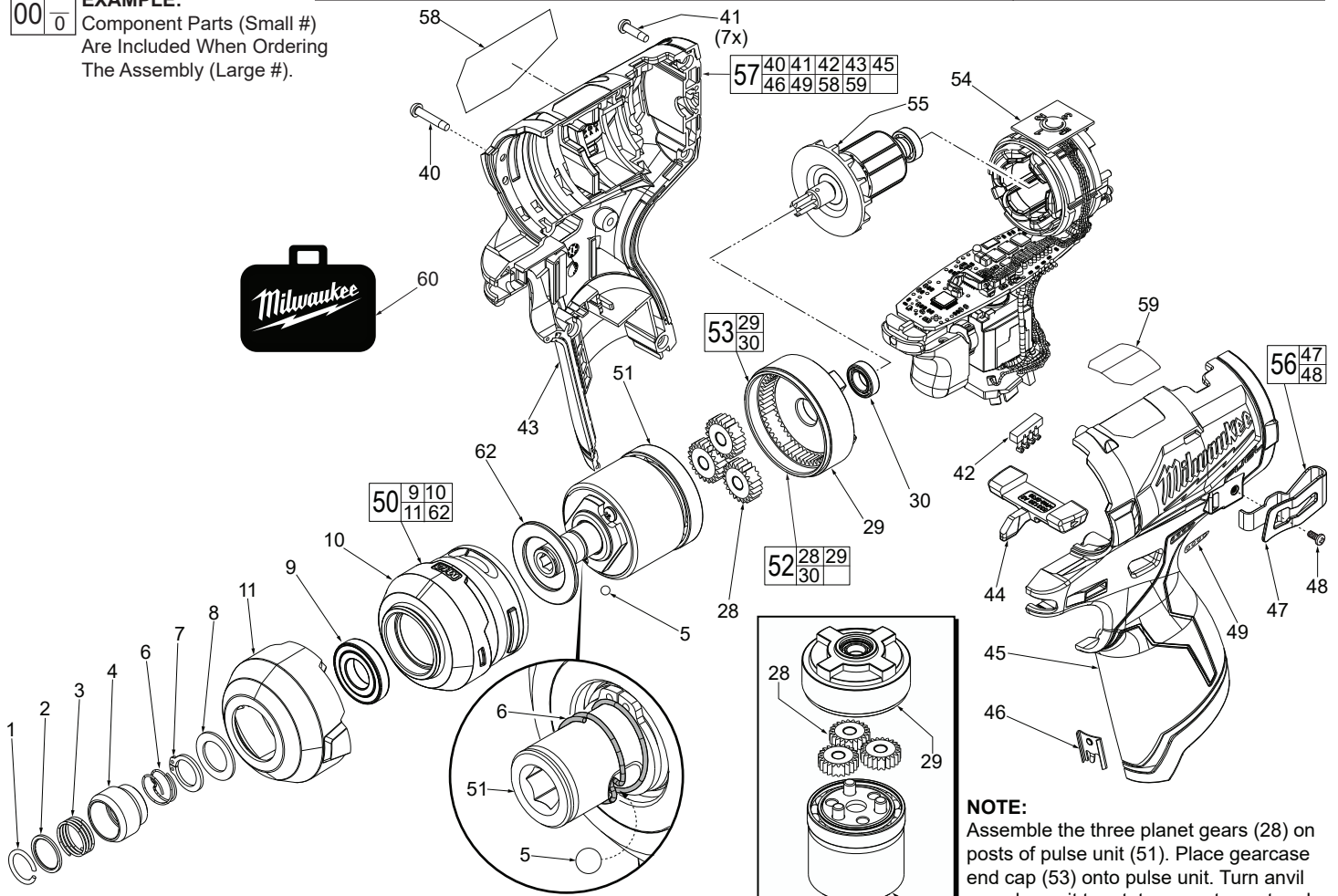


SERVICE PARTS LIST

BULLETIN NO.
54-26-0005

SPECIFY CATALOG NO. AND SERIAL NO. WHEN ORDERING PARTS		REVISED BULLETIN	DATE
M12™ FUEL™ SURGE™ 1/4" Hex Hydraulic Driver			Apr. 2019
CATALOG NO.	2551-20	STARTING SERIAL NO.	K42A
			WIRING INSTRUCTION SEE PAGE 2

EXAMPLE:
00 0 Component Parts (Small #)
Are Included When Ordering
The Assembly (Large #).



NOTE:
Assemble the three planet gears (28) on posts of pulse unit (51). Place gearcase end cap (53) onto pulse unit. Turn anvil on pulse unit to rotate gears to seat end cap properly. Align tab on end cap with notch in the gear case to install.

FIG.	PART NO.	DESCRIPTION OF PART	NO. REQ.
1	34-60-0725	'C' Retaining Ring	(1)
2	45-88-1881	Double Chamfer Washer	(1)
3	40-50-1470	Spring	(1)
4	45-22-2643	Sleeve	(1)
5	02-02-0170	3.5mm Steel Ball	(1)
6	40-50-0008	Anvil Spring	(1)
7	34-60-0002	Retaining Ring	(1)
8	45-88-0177	Washer	(1)
9	-----	Ball Bearing	(1)
10	-----	Front Gear Case with Ball Bearing	(1)
11	42-92-0056	Gear Case Cover	(1)
28	-----	Planetary Gear	(3)
30	-----	Ball Bearing	(1)
40	06-82-0079	M3 x 22mm Pan Hd. ST T-10 Screw	(1)
41	06-82-6351	M3 x 16mm Pan Hd. ST T-10 Screw	(7)
42	23-28-0012	Light Pipe	(1)
43	-----	Housing Cover - Right Housing	(1)
44	45-24-2553	Forward/Reverse Shuttle	(1)
45	-----	Housing Support - Left Housing	(1)
46	42-70-0058	Housing Clip	(1)
47	-----	Belt Clip	(1)
48	05-88-1015	M2.5 x 6mm Pan Hd. Phillips Mach. Sc	(1)
49	-----	Fuel Gauge Label	(1)
50	14-30-0028	Front Gear Case Assembly	(1)
51	14-46-0004	Pulse Unit (Sealed System)	(1)
52	14-30-0123	Gear Case End Cap Assy. with Gears	(1)
53	44-66-0037	Gear Case End Cap with Ball Bearing	(1)
54	14-20-2555	Electronics Assembly	(1)
55	16-01-1046	Rotor Assembly	(1)

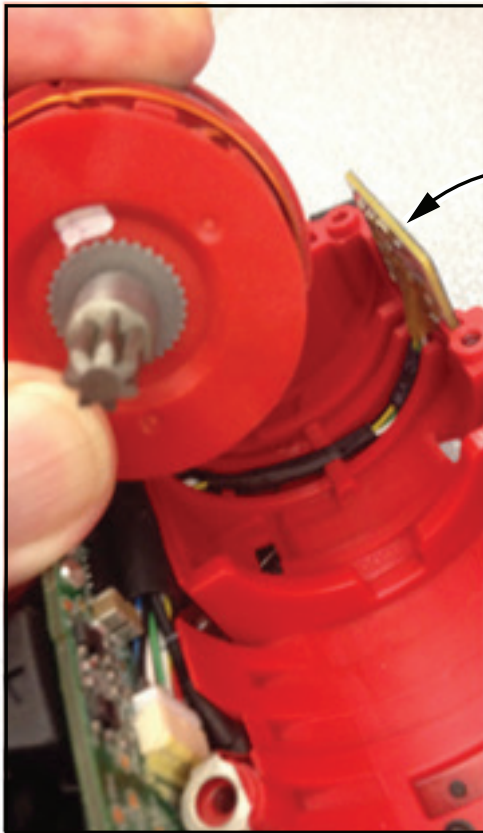
FIG.	PART NO.	DESCRIPTION OF PART	NO. REQ.
56	42-70-0495	Belt Clip Kit	(1)
57	31-44-2551	Housing Kit	(1)
58	12-20-1551	Service Nameplate	(1)
59	10-20-2553	Spanish/French Warning Label	(1)
60	42-55-2551	Zippered Tool Bag	(1)
62	45-88-1882	Nylon Gearcase Washer	(1)

When servicing, remove 90-95% of the existing grease prior to installing Type 'J'. Original grease maybe similar in color but not compatible with 'J'.

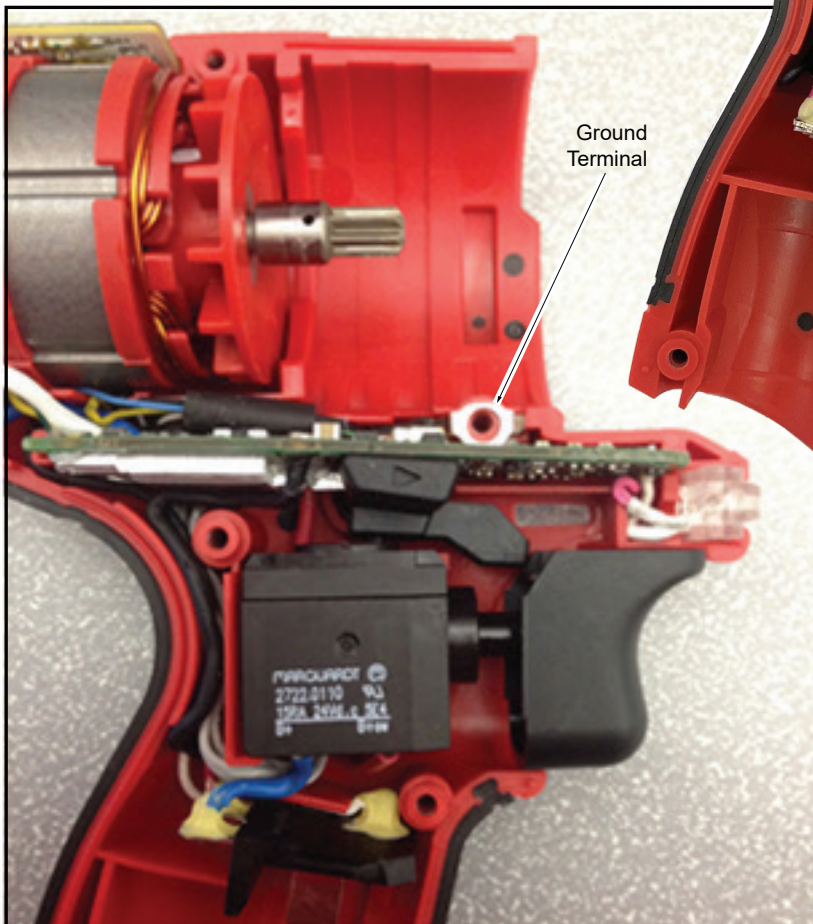
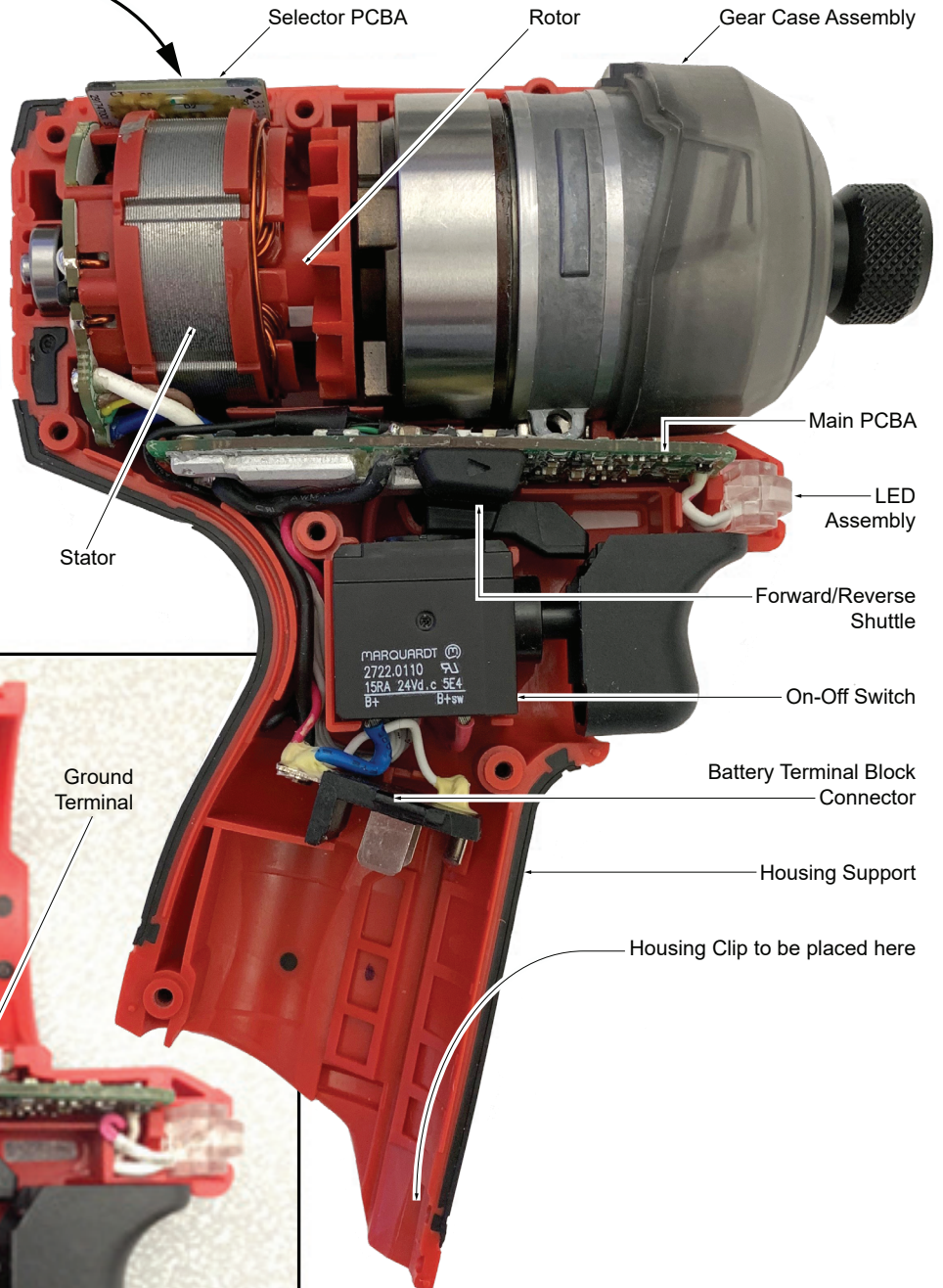
FIG. LUBRICATION

(Type 'J' Grease, No. 49-08-4220):

- 10 Coat anvil opening in the front of the gear case with grease.
- 51 Lightly coat front washer surface of Pulse Unit (51) with grease, place a dab in the ball slot of anvil.
- 28,53 Lightly coat the inside gear teeth of ring gear end cap (53) and the gear teeth of the planet gears (28) with grease.
- 55 Coat pinion of rotor assembly (55) with grease.



Prior to installing Stator/Rotor Assemblies, place the Selector PCBA into the slotted Housing Support cavity. Press wires into channel as shown. Carefully place Stator/Rotor Assemblies into Housing Support, being sure all components are firmly and squarely seated.



Prior to installing the Gear Case Assembly, be sure all elements of the Electronics Assembly are seated properly (Stator, Main PCBA, Selector PCBA, On-Off Switch, LED Assembly and Battery Terminal Block Connector). Be sure the Grounding Terminal is in place and that all wires are pressed down into all wire traps and channels. Check to assure that wires will not interfere with moving parts.

Prior to installing the Housing Cover, place Forward/Reverse Shuttle onto On-Off Switch and through Housing Support opening. Check to assure that wires will not be pinched.

Secure the Housing Cover to the Housing Support with seven M3 x 16mm ST T-10 Screws. Be sure to replace the Housing Clip at the bottom of the battery opening.