



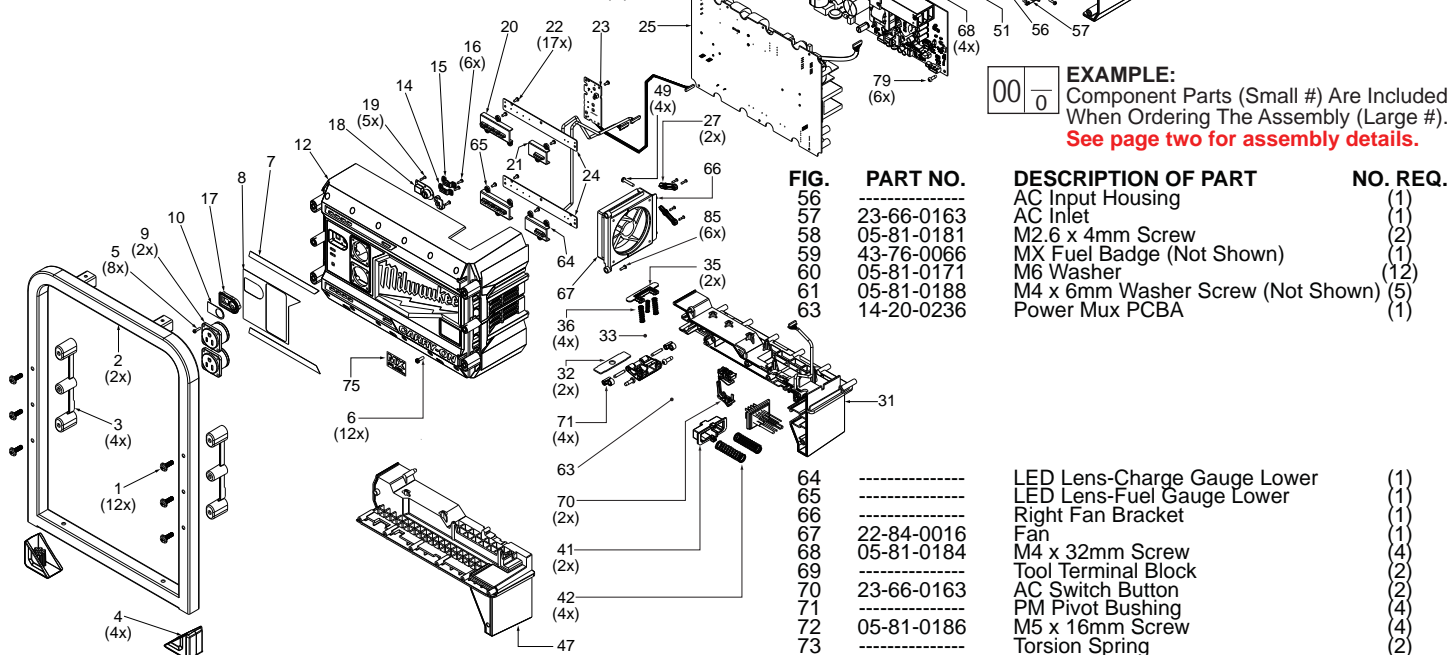
# SERVICE PARTS LIST

**BULLETIN NO.**  
**54-00-F002**

SPECIFY CATALOG NO. AND SERIAL NO. WHEN ORDERING PARTS		REVISED BULLETIN	DATE
<b>MX FUEL Portable Power Supply</b>			Feb. 2022
<b>CATALOG NO.</b>	<b>MXF002</b>	<b>STARTING SERIAL NO.</b>	<b>K23A</b>
			<b>WIRING INSTRUCTION</b> <b>Pages 3 thru 6</b>

FIG.	PART NO.	DESCRIPTION OF PART	NO. REQ.
1	05-81-0171	M6 x 19mm Screw	(12)
2	-----	Roll Cage	(2)
3	-----	Roll Cage Joint	(4)
4	44-04-0010	Foot Service Kit (Set of 4)	(1)
5	05-81-0177	M3 x 12mm Screw	(30)

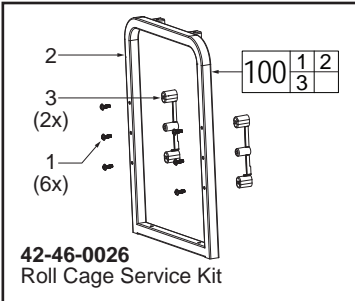
6	05-81-0172	M4 x 12mm Screw	(24)
7	-----	Upper Charge Gauge Label	(1)
8	-----	Interface Label	(1)
9	-----	Outlet Socket	(2)
10	-----	MX FUEL Arming Label	(1)
11	-----	Lower Charge Gauge Label	(1)
12	-----	Front Housing	(1)
13	-----	One-Key Indicator Lens	(1)
14	-----	Warning Indicator Lens	(1)
15	-----	High Temp Indicator Lens	(1)
16	05-81-0173	M1.7 x 6.5mm Screw	(1)
17	-----	Power Indicator Lens	(1)
18	-----	Power Button	(1)



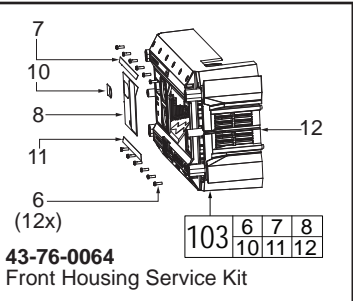
19	05-81-0174	M2.5 x 7mm Flat Washer Screw	(5)
20	-----	LED Lens-Fuel Gauge Upper	(1)
21	-----	LED Lens-Charge Gauge Upper	(1)
22	05-81-0176	M3 x 7.5mm Screw	(17)
23	-----	HMI Main PCBA	(1)
24	-----	HMI PCBA	(2)
25	-----	Inverter PCBA	(2)
27	-----	Cable Fixing Bracket	(2)
28	-----	Left Fan Bracket	(2)
29	14-20-0228	Strator PCBA	(2)
30	05-81-0183	M3 x 12mm Screw	(4)
31	-----	Battery Slide-Left	(1)
32	31-10-0022	Latch Plate	(2)
33	-----	Battery Release Lever	(2)
34	-----	Lever Biasing Spring	(2)
35	-----	Plunger Spring Mount	(2)
36	-----	Latch Lock Spring	(4)
37	-----	Latch Lock Plunger	(4)
38	-----	DC Switch	(1)
39	-----	AC Switch Bracket	(2)
40	-----	AC Switch	(2)
41	-----	Ejector Button	(2)
42	-----	Ejector Spring	(4)
43	-----	Ejection spring Mount	(4)
44	43-62-0101	M5 Hex Nut	(4)
45	-----	'H' Roll Cage	(4)
46	05-81-0191	M4 x 16mm Screw	(4)
47	-----	Battery Slide-Right	(4)
48	22-84-0016	Fan	(2)
49	05-81-0179	M4 x 22mm Screw	(2)
50	14-20-0224	Charger PCBA	(8)
51	14-20-0231	BL PCBA	(1)
52	-----	Rear Housing	(1)
53	14-20-0233	Coin Cell PCBA	(1)
54	-----	Coin Cell Battery Door Gasket	(1)
55	-----	Coin Cell Battery Door	(1)

**SEE PAGE TWO FOR SERVICE KIT LISTING AND DETAILS**

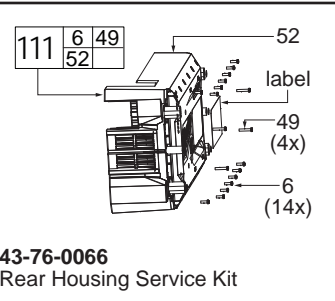
FIG.	PART NO.	DESCRIPTION OF PART	NO. REQ.
56	-----	AC Input Housing	(1)
57	23-66-0163	AC Inlet	(1)
58	05-81-0181	M2 6 x 4mm Screw	(2)
59	43-76-0066	MX Fuel Badge (Not Shown)	(1)
60	05-81-0171	M6 Washer	(12)
61	05-81-0188	M4 x 6mm Washer Screw (Not Shown)	(5)
63	14-20-0236	Power Mux PCBA	(1)
64	-----	LED Lens-Charge Gauge Lower	(1)
65	-----	LED Lens-Fuel Gauge Lower	(1)
66	-----	Right Fan Bracket	(1)
67	22-84-0016	Fan	(1)
68	05-81-0184	M4 x 32mm Screw	(4)
69	-----	Tool Terminal Block	(2)
70	23-66-0163	AC Switch Button	(2)
71	-----	PM Pivot Bushing	(4)
72	05-81-0186	M5 x 16mm Screw	(4)
73	-----	Torsion Spring	(4)
74	-----	Pillar	(4)
75	43-76-0064	MX Fuel Badge	(1)
76	-----	Wire Lock (Not Shown)	(1)
77	23-74-0022	Ground Terminal (Not Shown)	(3)
78	05-81-0187	Ground Screw (Not Shown)	(1)
79	05-81-0172	M4 x 12mm Screw	(6)
80	-----	Flat Washer	(5)
81	-----	M3 x 34mm Screw	(5)
82	-----	Rubber Pad (Not Shown)	(2)
83	-----	Rubber Pad (Not Shown)	(2)
84	-----	Rubber Pad (Not Shown)	(1)
85	-----	2.5 x 7mm Screw	(6)
100	42-46-0026	Roll Cage Service Kit	(2)
101	23-33-0017	Top Outlet Socket Service Kit	(2)
102	-----	HMI PCBA Service Kit	(1)
103	43-76-0064	Front Housing Service Kit	(1)
104	22-84-0018	Left Fan Bracket Service Kit	(1)
105	-----	Strator PCBA Service Kit	(1)
106	44-81-0013	Battery Slide-Left Service Kit	(1)
107	43-62-0101	'H' Roll Cage Service Kit	(1)
108	44-81-0017	Battery Slide-Right Service Kit	(1)
109	-----	Charger PCBA Service Kit	(1)
110	-----	BL PCBA Service Kit	(1)
111	43-76-0066	Rear Housing Service Kit	(1)
112	14-20-0233	Coin Cell PCBA Service Kit	(1)
113	23-33-0012	AC Input Housing Service Kit	(1)
114	-----	Power Mux PCBA Service Kit	(1)
115	22-84-0016	Right Fan Bracket Service Kit	(1)
116	-----	Inverter PCBA Service Kit	(1)
117	23-33-0013	Bottom Outlet Socket Service Kit	(1)
118	22-56-0027	Top Terminal Block, DC Switch & Wiring Harness	(1)
119	22-56-0029	Bottom Terminal Block, DC Switch & Wiring Harness	(1)
120	22-64-0045	Cord Service Kit	(1)



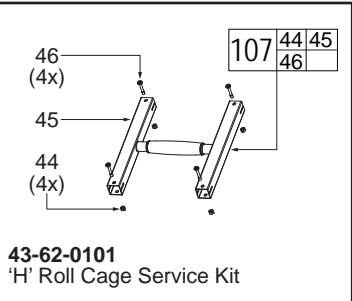
**42-46-0026**  
Roll Cage Service Kit



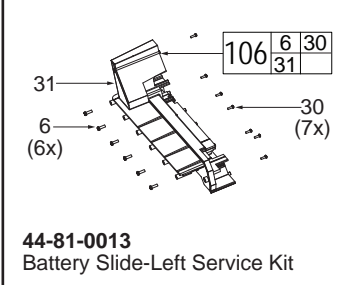
**43-76-0064**  
Front Housing Service Kit



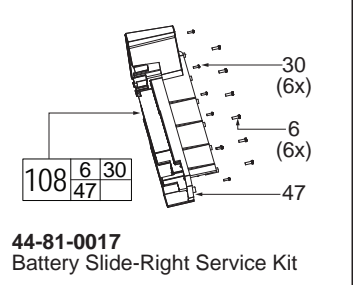
**43-76-0066**  
Rear Housing Service Kit



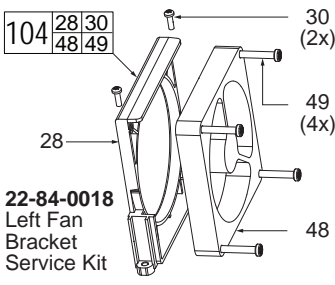
**43-62-0101**  
'H' Roll Cage Service Kit



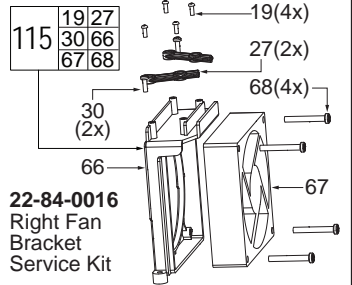
**44-81-0013**  
Battery Slide-Left Service Kit



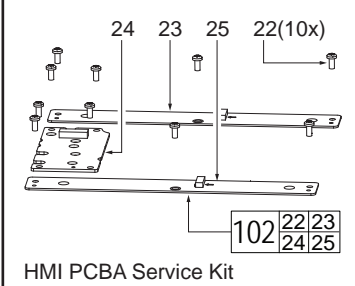
**44-81-0017**  
Battery Slide-Right Service Kit



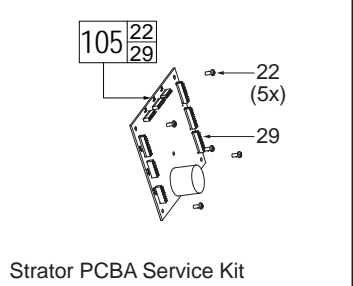
**22-84-0018**  
Left Fan Bracket Service Kit



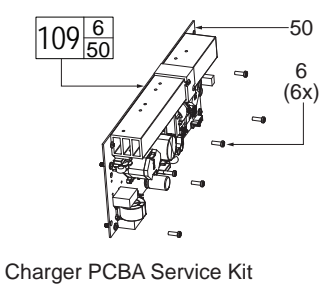
**22-84-0016**  
Right Fan Bracket Service Kit



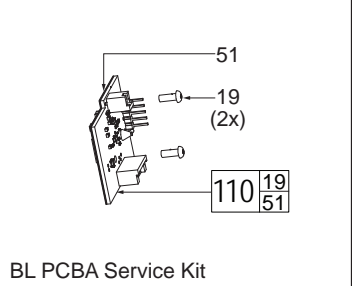
**HMI PCBA Service Kit**



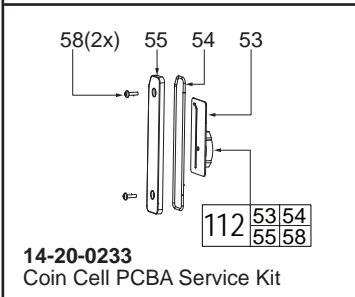
**Strator PCBA Service Kit**



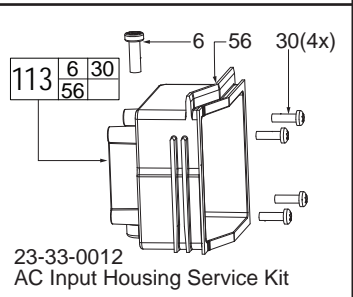
**Charger PCBA Service Kit**



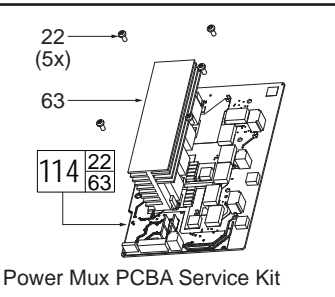
**BL PCBA Service Kit**



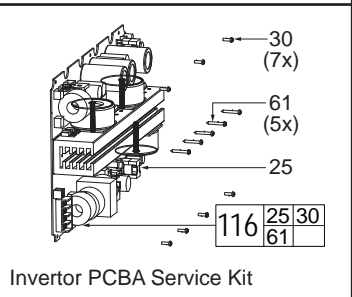
**14-20-0233**  
Coin Cell PCBA Service Kit



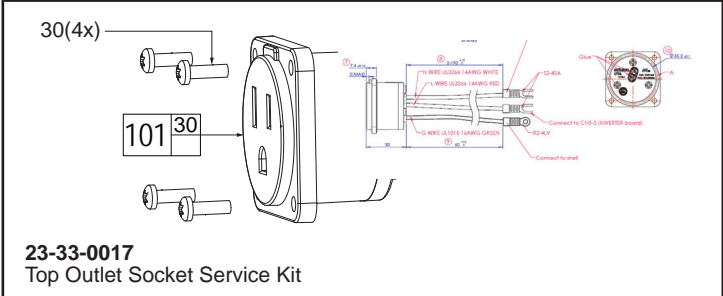
**23-33-0012**  
AC Input Housing Service Kit



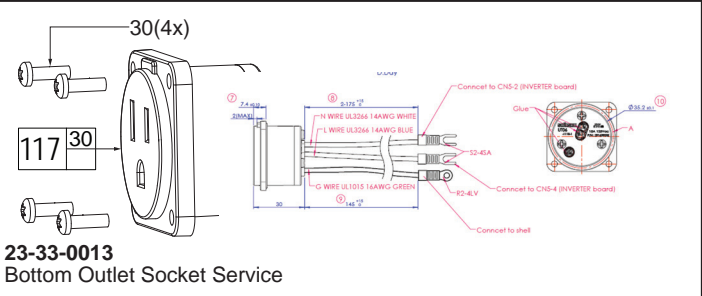
**Power Mux PCBA Service Kit**



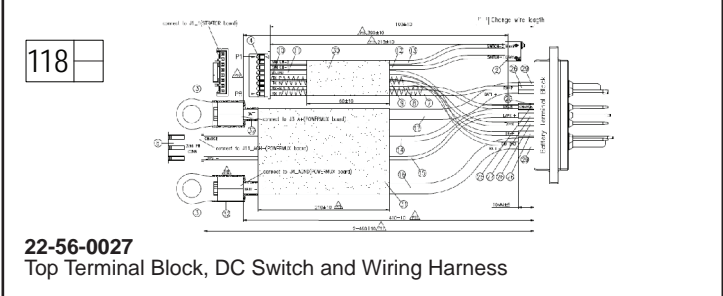
**Invertor PCBA Service Kit**



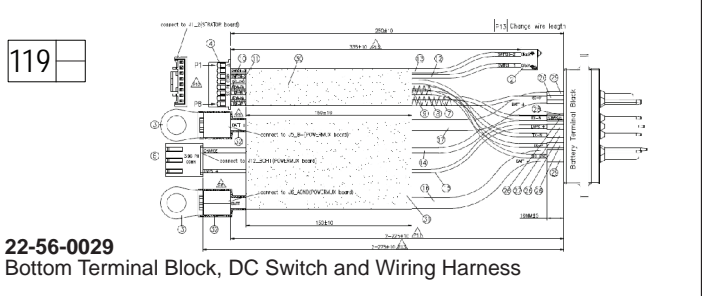
**23-33-0017**  
Top Outlet Socket Service Kit



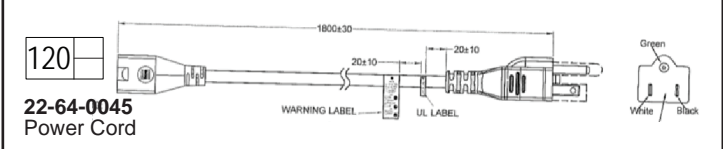
**23-33-0013**  
Bottom Outlet Socket Service



**22-56-0027**  
Top Terminal Block, DC Switch and Wiring Harness



**22-56-0029**  
Bottom Terminal Block, DC Switch and Wiring Harness



**22-64-0045**  
Power Cord

