



# Repair Parts Sheet

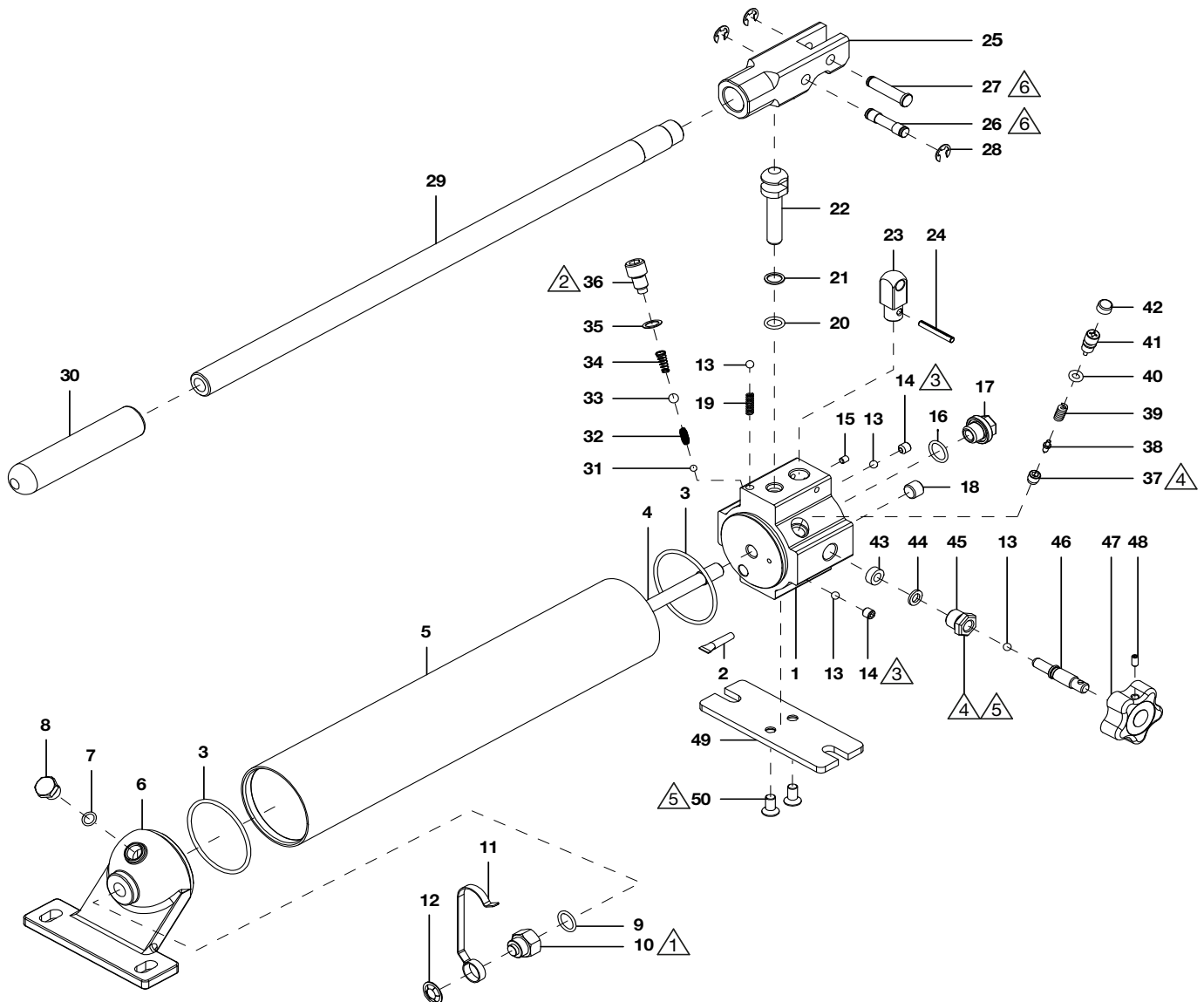
## Hand Pump P71

TD232 Rev. A 12/2019

Product Date Code Beginning With "B"

**To Protect Your Warranty, Use Only SIMPLEX Hydraulic Oil.**

Simplex recommends that all kit components be installed to ensure optimum performance of the repaired product.



### Notes:

- |   |                     |   |                                                             |
|---|---------------------|---|-------------------------------------------------------------|
| 1 | Torque to 17-19 Nm. | 4 | Torque to 12-14 Nm.                                         |
| 2 | Torque to 35-38 Nm. | 5 | Apply Loctite 277.                                          |
| 3 | Torque to 8-10 Nm.  | 6 | Apply roller grease to contact surfaces of pin and plunger. |

Repair Parts List for P71			
Item No.	Part Number	Qty.	Description
1	6067192	1	Pump Housing
2	6067306	1	Oil Filter
3	★ 6045002	2	O-Ring
4	6067157	1	Tie Rod
5	6067148	1	Reservoir
6	6045005	1	Tail Base
7	★ 6067235	1	O-Ring
8	6067181	1	Screw
9	★ 6067006	1	O-Ring
10	6067188	1	Nipple
11	6067297	1	Handle Latch
12	6067275	1	Self-Locking Ring
13	⊕ 6067300	4	Steel Ball
14	6067244	2	Screw
15	6067246	1	Screw
16	★ 6045170	1	O-Ring
17	6045171	1	Nipple
18	6067250	1	Set Screw
19	6045064	1	Spring
20	†★ 6067043	1	O-Ring
21	†★ 6067042	1	Back-Up Ring
22	† 6045057	1	Piston
23	6045026	1	Yoke Base
24	6045190	1	Spring Pin
25	* 6045023	1	Yoke
26	* 6067096	1	Piston Pin

Repair Parts List for P71 (Continued)			
Item No.	Part Number	Qty.	Description
27	* 6067027	1	Yoke Pin
28	* 6067026	3	E-Ring
29	* DS2051070	1	Handle
30	* 6067234	1	Handle Grip
31	6045053	1	Steel Ball
32	6067117	1	Inlet Ball Spring
33	6067013	1	Steel Ball
34	6067049	1	Outlet Ball Spring
35	★ 6067014	1	Copper Washer
36	6067015	1	Valve Cover Screw
37	6045164	1	Cone Seat
38	6045165	1	Cone
39	6045166	1	H.P. Spring
40	★ 6067201	1	O-Ring
41	6045189	1	Overload Screw
42	6067084	1	Cap
43	⊕ 6067037	1	Release Valve Packing
44	⊕ 6067282	1	Washer
45	⊕ 6067247	1	Release Nut
46	⊕ 6067248	1	Release Valve Screw
47	⊕ 6045077	1	Release Knob
48	⊕ 6045078	1	Set Screw
49	6045045	1	Base Plate
50	6045046	2	Screw
51	◆ 45060	1	Decal, Model P71

Notes:

- ★ Included in Seal Kit DD8105900.
- ◆ Included in Decal Kit DD8106900.
- \* Included in Handle Kit DD8107900.
- ⊕ Included in Release Handle Kit DD8097900.
- † Included in Plunger Kit DD8108900.



N86 W12500 Westbrook Crossing  
Menomonee Falls, WI 53051  
Phone - USA Only: 1 (800) 323-9114  
Phone - Inside/Outside USA: 1 (262) 293-1575  
Fax: 1 (262) 597-1127  
[www.tksimplex.com](http://www.tksimplex.com)