

Q-Pumps

The best pumping solutions for your sanitary applications



QTS SERIES



QTS



QP



QL



QIS



QC



mixers



About Us

Since 1997, Q-Pumps has been dedicated to the manufacture of sanitary pumping equipment in order to provide the best solutions for the food, beverage, cosmetic and pharmaceutical industries.

We serve applications in more than 40 countries, with the perfect combination of technology and a highly skilled team of experts, with whom we are able to exceed the expectations of the requirements of our clients around the world.

Materials

All our products are built in Stainless Steel Series 300. The parts that have contact with the pumped product are 316L and the rest 304. In this way we guarantee the quality and durability of our products.

Special requests

We manufacture pumps under any customer specification. From a special type of connection in the suction and discharge to different surface finishes.

Currently we have in all our lines connections for the pumps of Clamp, Bevel Seat, NPT, Flanged, SMS, DIN, etc.

The standard finish of the pumps is a maximum of 32Ra. Additionally they can be from Sandblast to Electropolished.

Spare parts

We offer spare parts compatible with many of the major brands on the market.



REFERENCE DATA

	Q	μ	P	T	
QTS SERIES	850 gpm / 3.218 lpm	up to 1000000 cP	362 psi / 25 bar 693 ft / 211 m	120 °C / 248 °F	P.4
QP SERIES	312 gpm / 1173 lpm	up to 1000000 cP	500 psi / 34.5 bar 1155 ft / 352 m	150 °C / 302 °F	P.8
QL SERIES	411 gpm / 1670 lpm	up to 1000000 cP	209 psi / 20 bar 670 ft / 204 m	150 °C / 302 °F	P.10
QIS SERIES	1000 gpm / 3785 lpm	up to 600 cP	130 psi / 9 bar 300 ft / 91 m	120 °C / 248 °F	P.12
QC SERIES	1000 gpm / 3785 lpm	up to 600 cP	130 psi / 9 bar 300 ft / 91 m	120 °C / 248 °F	P.13
MIXER SERIES	420 gpm / 1590 lpm	up to 600 cP	76 psi / 5.25 bar 176 ft / 54 m	120 °C / 248 °F	P.14
QDU SERIES	60 gpm / 227 lpm	up to 1000000 cP	362 psi / 25 bar 693 ft / 211 m	120 °C / 248 °F	P.17

The technical data shown here is for commercial reference.
This information may change according to the application.



QTS SERIES



850 gpm / 3218 lpm



up to 100000 cP

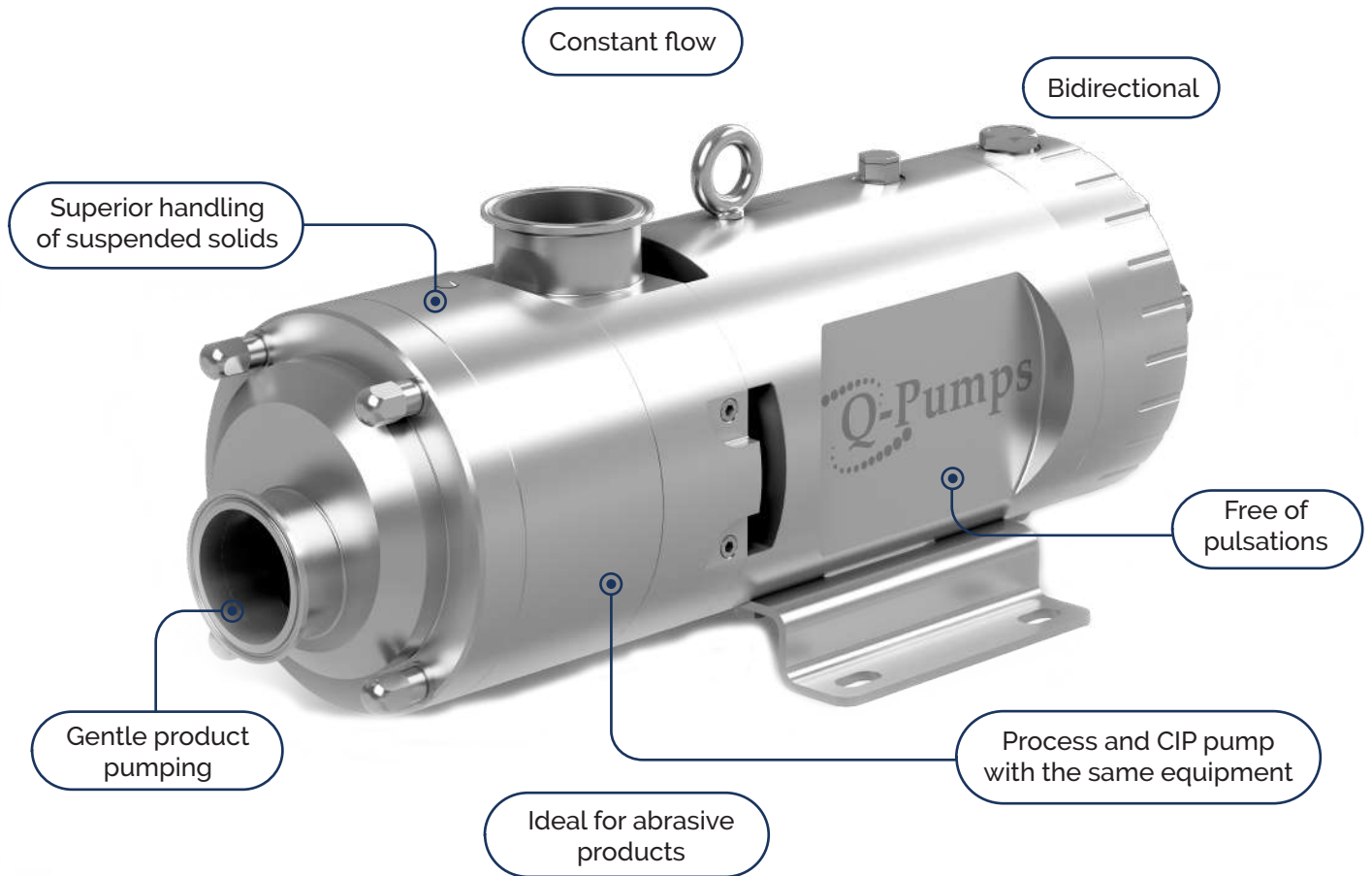


362 psi / 25 bar
693 ft / 211 m



120 °C / 248 °F

CHARACTERISTICS



APPLICATIONS



DIFFERENT SIZES



QTS-25

Suction & discharge:
1/2", 3/4", 1"
12.7, 19.05, 25 mm

* Ideal for dosing, supply and packing of low flow products

QTS-100

Suction & discharge:
1.5", 2"
35, 50 mm

QTS-200

Suction & discharge:
2", 2.5", 3"
50, 60, 75 mm

QTS-300

Suction & discharge:
3", 4"
75, 100 mm

QTS-350

Suction: 4" y 6"
101, 152 mm

Discharge: 3" y 4"
76, 101 mm

QTS-400

Suction & discharge:
4", 6"/100, 150 mm

RECTANGULAR INLET

**NEW
PRODUCT**

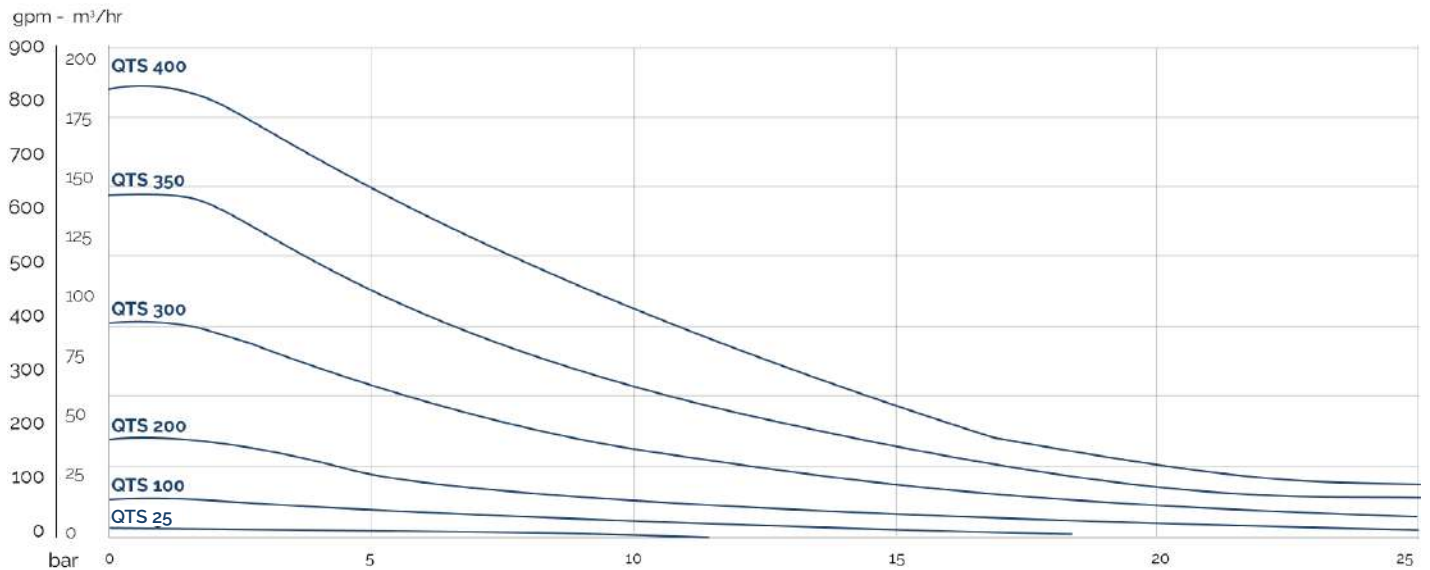


QTS-34R-HM4

- Ideal for pasty products such as meat and dough
- Management of high viscosities (100000 to 1000000 cP)
- Ideal for products with high air or gas content
- Ideal for applications with low NPSH
- Capacity for CIP

QTS SERIES

CAPACITY



* QTS 25 Curves for reference

Model	Maximum Capacity				Port Size	Maximum Differential Pressure	Viscosity	Temperature
	gpm		lpm					
	Process Flow	CIP Flow	Process Flow	CIP Flow				
QTS 25	7.5	15	30	60	1/2",3/4",1"	150 psi/10bar	1000000 cP	300°F (120°C)
QTS 100	35	70	132	265	1.5"/2"	260 psi/18bar		
QTS 200	93	185	352	700	2",2.5",3"	360 psi/25 bar		
QTS 300	223	405	844	1533	3",4"			
QTS 350	399	642	1510	2430	3",4",6"			
QTS 400	570	850	2158	3218	4",6"			

AVAILABLE SEALS



Mechanical
(Single & Double)

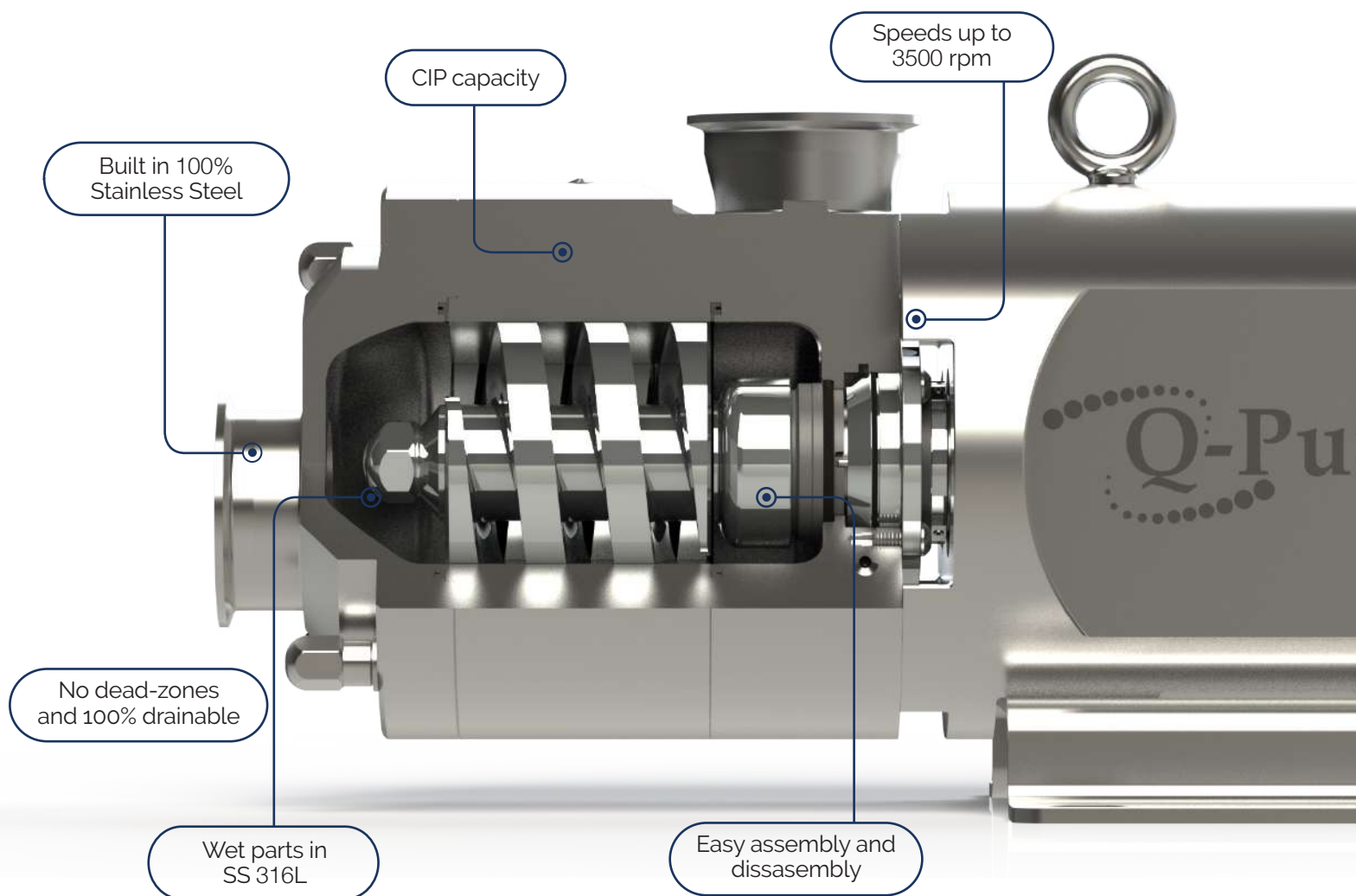


O-Ring



Lip Seal

ADVANTAGES



With different screw options for solid handling



QP SERIES

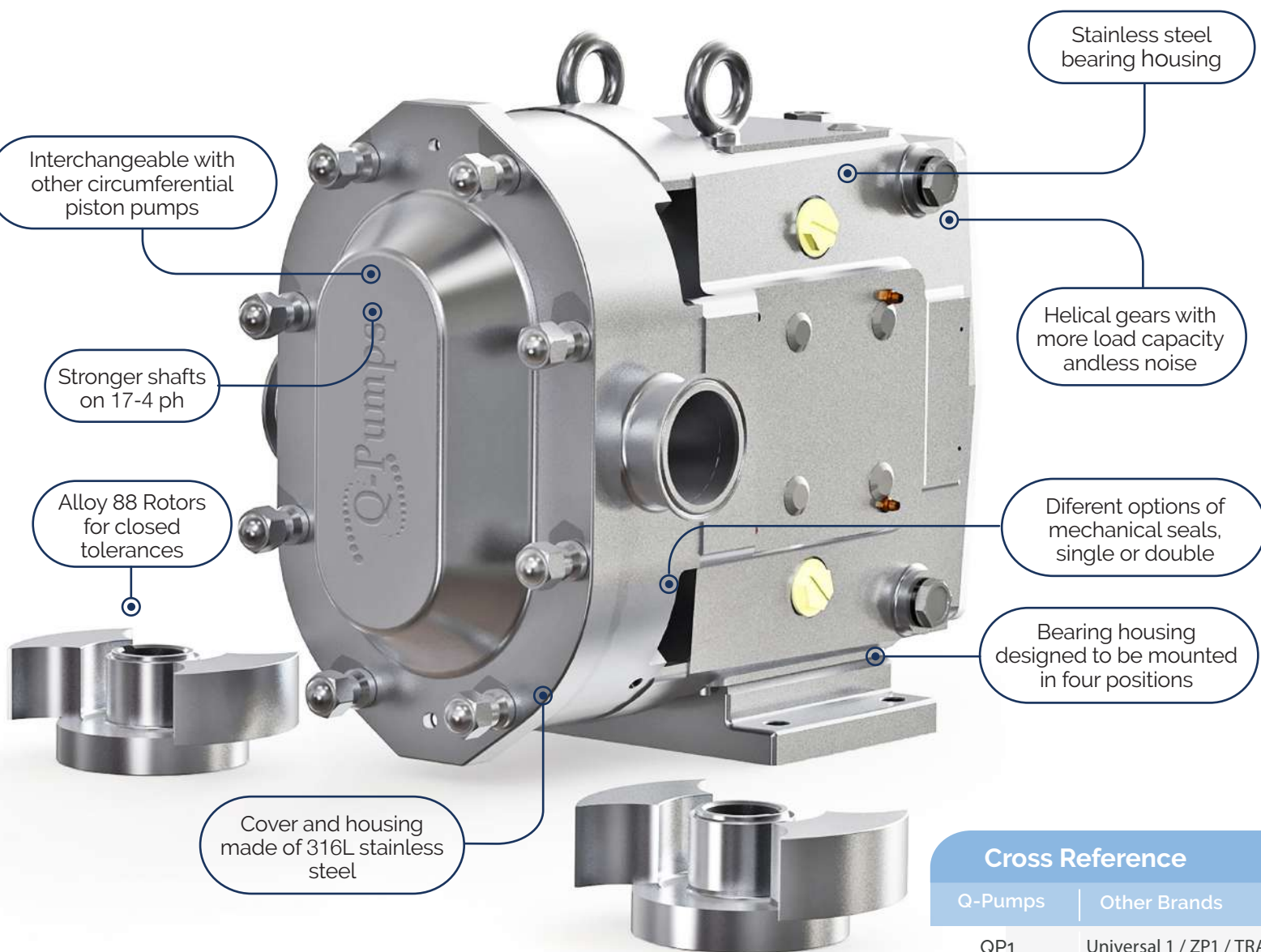
Q 312 gpm / 1173 lpm

μ up to 1000000 cP

P 500 psi / 34.5 bar
1155 ft / 352 m

T 150 °C / 302 °F

CHARACTERISTICS



Cross Reference

Q-Pumps	Other Brands
QP1	Universal 1 / ZP1 / TRA 10
QP2	Universal 2 / ZP2 / TRA 20

APPLICATIONS

- Dairy
- Ice cream
- Medicine
- Toothpaste
- Chocolate
- Oil

To see the compatibility and equivalences with other brands, visit our website in the Cross Reference section:

http://www.q-pumps.com/cross_reference.php

QP1 PUMP PERFORMANCE

Model QP1	Nominal Capacity		Displacement		Maximum Differential Pressure		Standard Connection Size		Optional Connection Size		Maximum Speed rpm	Temperature Range	
	gpm	lpm	gal / rev	l / rev	psi	bar	in	mm	in	mm		°F	°C
6	7	24.8	0.0082	0.031	200	13.8	1	25	1 1/2"	38	800	-40° a 300°	-40° a 149°
15	10	37.6	0.0142	0.054	200	13.8	1 1/2"	38	-	-	700		
18	17	65.9	0.029	0.110	200	13.8	1 1/2"	38	2"	51	600		
30	36	136.6	0.060	0.227	200	13.8	1 1/2"	38	2"	51	600		
40	46	172.6	0.076	0.228	150	10.3	2"	51	2 1/2"	64	600		
60	92	347.5	0.153	0.579	200	13.8	2 1/2"	64	3"	76	600		
130	152	576.8	0.254	0.961	200	13.8	3"	76	-	-	600		
220	313	1185.5	0.522	1.976	200	13.8	4"	102	-	-	600		
320	452	1712.3	0.754	2.854	200	13.8	6"	152	-	-	600		

	Nominal Capacity		Displacement		Maximum Differential Pressure		Rectangular Inlet (AxL)		Discharge		Maximum Speed rpm	Temperature Range	
	gpm	lpm	gal / rev	l / rev	psi	bar	in	mm	in	mm		°F	°C
34	24	90.8	0.060	0.227	200	13.8	1.75 x 6.75	44 x 171	2"	51	400	-40° a 300°	-40° a 149°
64	61	231.6	0.153	0.579	200	13.8	2.24 x 8.82	57 x 224	2 1/2" (3")	64 (76)	400		
134	102	384.6	0.254	0.961	200	13.8	2.97 x 9.25	75 x 235	3"	76	400		
224	208	788.8	0.521	1.972	200	13.8	3.78 x 11	98 x 279	4"	102	400		
324	301	1139.2	0.754	2.854	200	13.8	5.00 x 17.38	127 x 441	6"	152	400		

QP2 PUMP PERFORMANCE

Model QP1	Nominal Capacity		Displacement		Maximum Differential Pressure		Standard Connection Size		Optional Connection Size		Maximum Speed rpm	Temperature Range	
	gpm	lpm	gal / rev	l / rev	psi	bar	in	mm	in	mm		°F	°C
6	8	1.0	0.0082	0.031	300	20.7	1	25	1 1/2"	38	1000	-40° a 300°	-40° a 149°
15	11	43.0	0.0142	0.054	250	17.2	1 1/2"	38	-	-	800		
18	20	76.8	0.029	0.110	200	13.8	1 1/2"	38	2"	51	700		
30	36	136.3	0.060	0.227	250	17.2	1 1/2"	38	2"	51	600		
40	46	172.6	0.076	0.288	150	10.3	2"	51	2 1/2"	64	600		
45	59	222.6	0.098	0.371	450	31.0	2"	51	-	-	600		
60	92	347.5	0.153	0.579	300	20.7	2 1/2"	64	3"	76	600		
130	152	576.8	0.254	0.961	200	13.8	3"	76	-	-	600		
180	228	863.0	0.380	1.438	450	31.0	3"	76	-	-	600		
210	301	1140.0	0.502	1.900	500	34.5	4"	102	-	-	600		
220	313	1185.5	0.522	1.976	300	20.7	4"	102	-	-	600		
320	452	1712.3	0.754	2.854	300	20.7	6"	152	-	-	600		

	Nominal Capacity		Displacement		Maximum Differential Pressure		Rectangular Inlet (AxL)		Discharge		Maximum Speed rpm	Temperature Range	
	gpm	lpm	gal / rev	l / rev	psi	bar	in	mm	in	mm		°F	°C
34	24.0	90.8	0.060	0.227	250	17.2	1.81 x 6.84	44 x 174	2"	51	400	-40° a 300°	-40° a 149°
64	61.2	231.6	0.153	0.579	300	20.7	2.44 x 9.0	62 x 229	2 1/2" (3")	64 (76)	400		
134	101.6	384.6	0.254	0.961	200	13.8	3.19 x 9.38	81 x 238	3"	76	400		
224	208	788.8	0.521	1.972	300	20.7	4.06 x 11.25	103 x 278.6	4"	102	400		
324	301	1139.2	0.752	2.847	300	20.7	4.25 x 12.7	108 x 322.5	6"	152.4	400		

QL SERIES

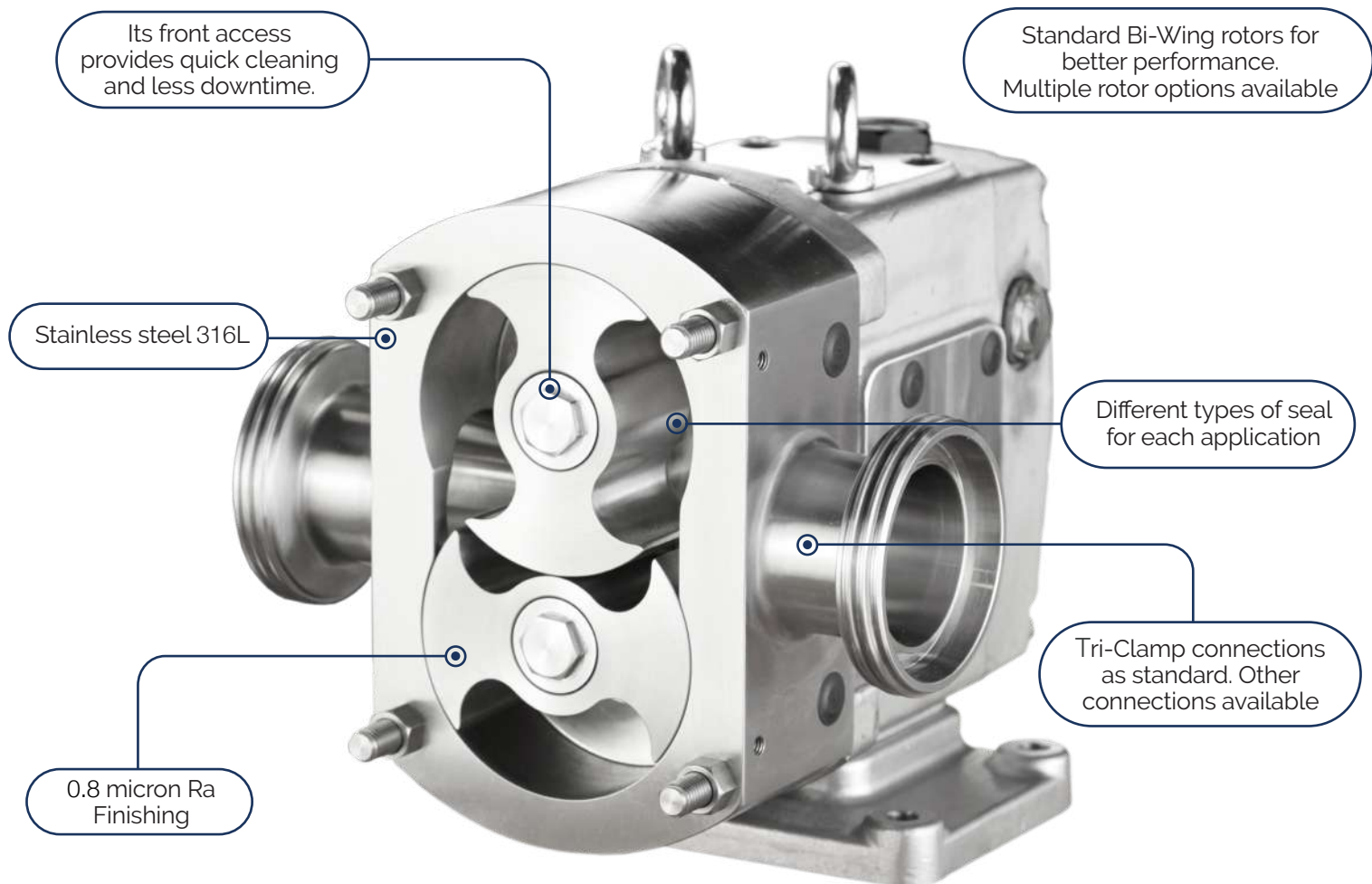
Q 441 gpm / 1670 lpm

μ up to 1000000 cP

P 209 psi / 20 bar
670 ft / 204 m

T 150 °C / 302 °F

CHARACTERISTICS



APPLICATIONS



QL Series	Model	Displacement			Standard connection size		Maximum Differential Pressure		Maximum Speed
		Liters / per rev.	lpm	gpm	mm	in.	bar	psi	rpm
100	QL110-005-20	0.050	50.0	13.2	25	1.0	20.7	300	1000
	QL115-012-12	0.120	96.0	25.4	38	1.5	12.1	175	800
	QL120-021-08	0.210	168.0	44.4	51	2.0	7.9	115	800
200	QL220-040-12	0.410	287.0	75.8	51	2.0	12.1	175	700
	QL225-062-08	0.620	434.0	114.7	64	2.5	7.9	115	700
300	QL330-102-12	1.020	612.0	161.7	76	3.0	12.1	175	600
	QL340-144-08	1.440	864.0	228.3	102	4.0	7.9	115	600
400	QL440-227-12	2.270	1135.0	299.9	102	4.0	12.1	175	500
	QL450-334-08	3.340	1670.0	441.2	152	6.0	7.9	115	500

ADVANTAGES

- Low cost with excellent performance
- Front access that allows quick cleaning
- Four rotor types to best suit a wide range of product types



Tri-Lobe Rotor



Bi-Wing Rotor



COVER OPTIONS

- Cover with pressure relief valve (optional)
- Jacketed cover and / or housing (optional)

QIS SERIES

Q 1000 gpm / 3785 lpm

μ up to 600 cP

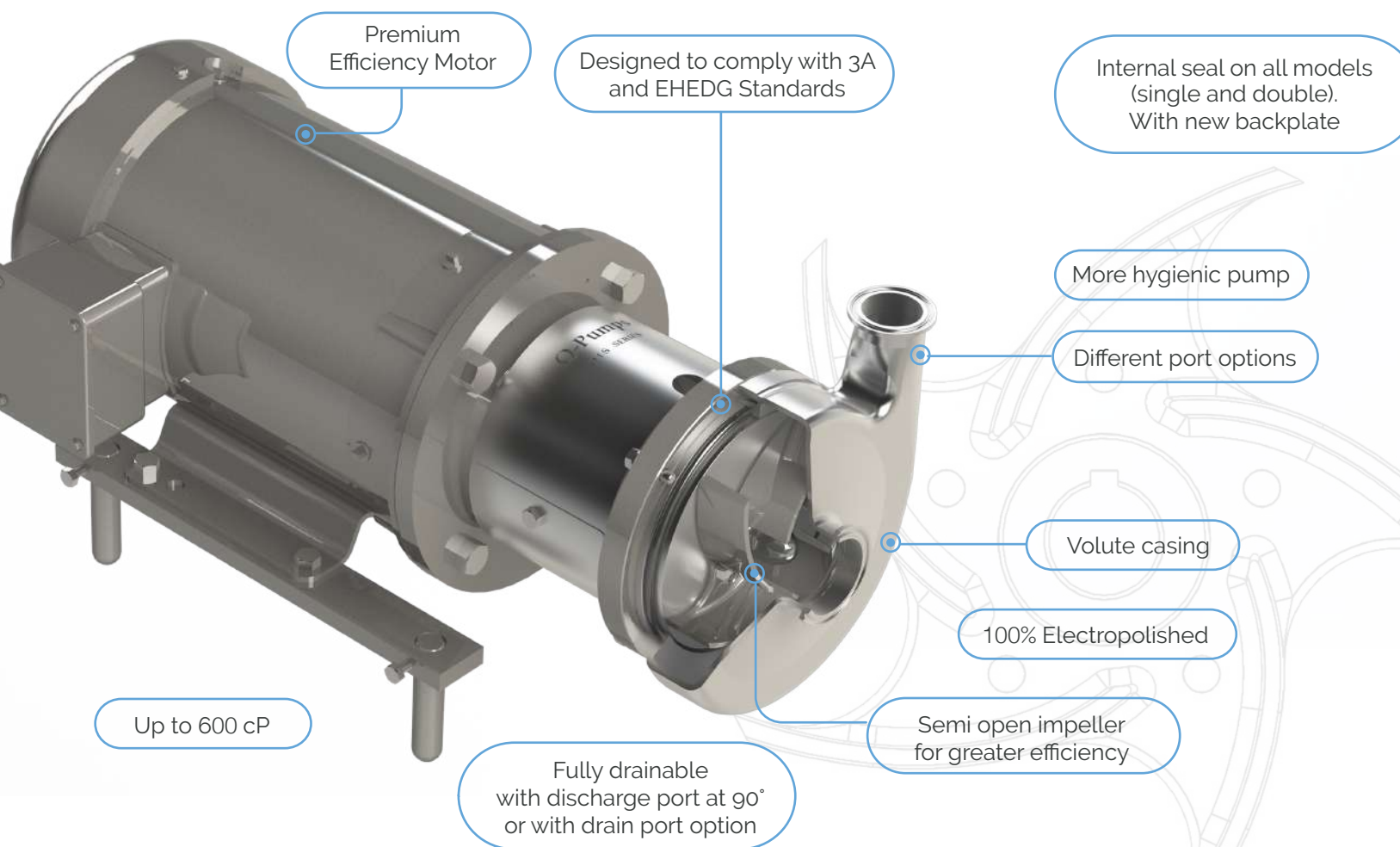
P 130 psi / 9 bar
300 ft / 91 m

T 120 °C / 248 °F

The QIS is a new sanitary centrifugal pump with an Internal seal, ideal for sanitary as well as non-sanitary applications, perfect for the food, beverage and pharmaceutical industries.

Completely redesigned for greater efficiency and hygiene.

CHARACTERISTICS



APPLICATIONS



QC SERIES

Q 1000 gpm / 3785 lpm

μ up to 600 cP

P 117 psi / 8 bar
270 ft / 82 m

T 120 °C / 248 °F

CHARACTERISTICS



QC+ SERIES

- Easy assembly
- Better support when mounting the arrowhead to the collar
- Threaded arrowhead and fastened with a wedge and nut

A pump of the **QC Series** can be converted to a **QC +** with a "Kit +"



APPLICATIONS



MIXER SERIES - QIM



Q 420 gpm / 1590 lpm

μ up to 600 cP

P 76 psi / 5.25 bar
176 ft / 54 m

T 120 °C / 248 °F

THE MOST EFFICIENT AND VERSATILE IN-LINE MIXER IN THE MARKET

CHARACTERISTICS



AVAILABLE BACKPLATES



Straight radial slots

For powder mixing and lump disintegration

Type 1 (1/8")
Type 2 (3/16")
Type 3 (1/4")



Inclined radial slots

For hard solids crushing

Type 4 (1/8")
Type 5 (3/16")
Type 6 (1/4")



Inclined eccentric grooves

For crushing hard solids

Type 7 (1/8")
Type 8 (3/16")
Type 9 (1/4")



Small radial holes

For emulsification

Type 10 (1/8")
Type 11 (3/16")
Type 12 (1/4")



Big radial holes

For chopping soft solids into smaller particles

Type 13 (3/8")
Type 14 (5/8")
Type 15 (7/8")

Sizes: QIM+214, QIM+316, QIM+318, QIM+428

MIXER SERIES - QDB



420 gpm / 1590 lpm



up to 600 cP

80 psi / 5.5 bar
182 ft / 55 m

120 °C / 248 °F

CHARACTERISTICS



POWDER RATE

214	2,580 kg/hr
316	3,300 kg/hr
318	4,860 kg/hr
428	18,000 kg/hr

The Q-Pumps InLine Mixer QIM has been designed in a modular way in order to convert it into a **Dry Blender QDB**, which consists in an **In-line Mixer QIM** coupled to a table with cone and integrated valves for operator's convenience.

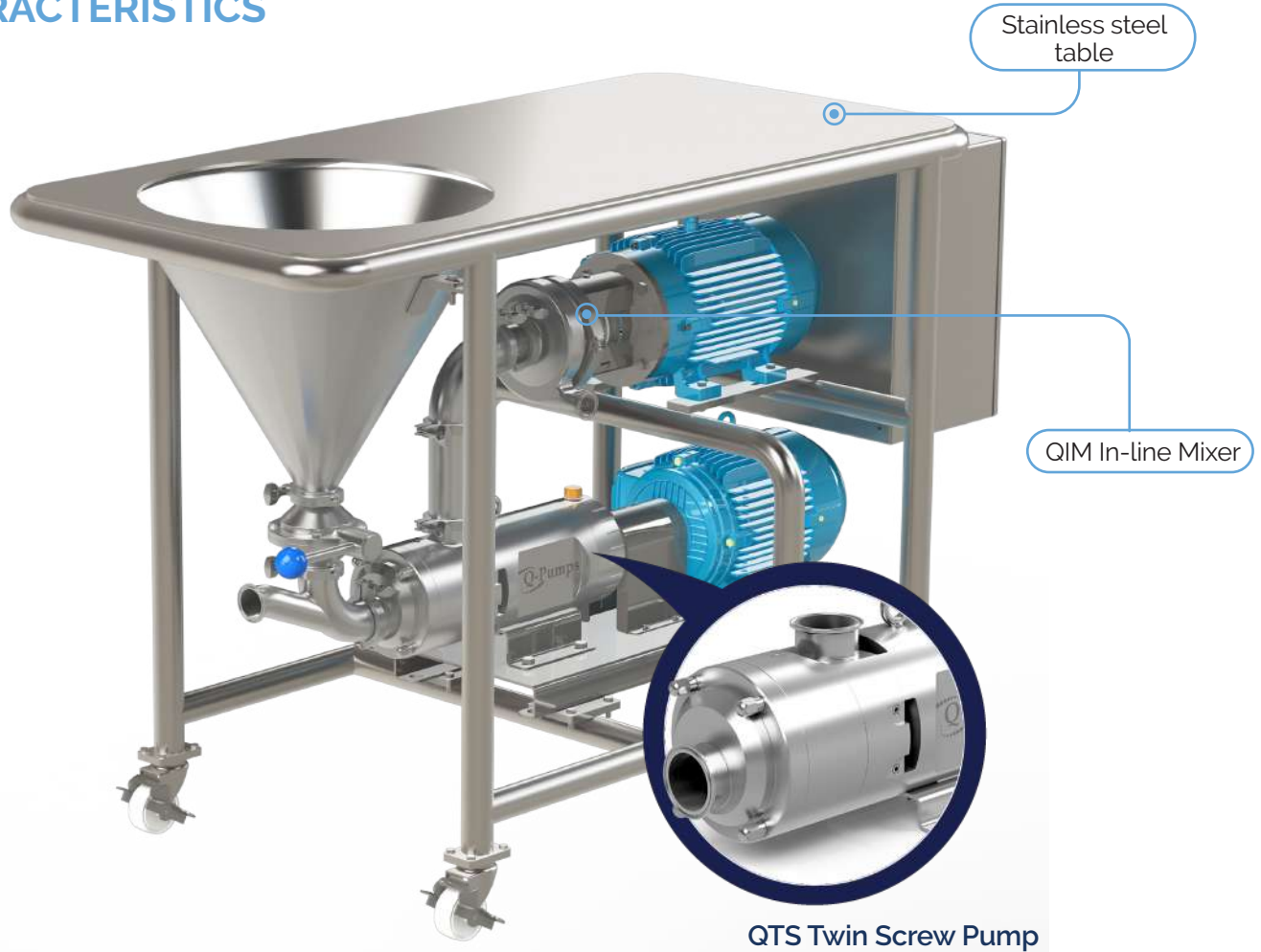
APPLICATIONS

- Homogenization
- Emulsification
- Disintegration of solids
- Powder mixture
- Adding flavors
- Dissolution



MIXER SERIES - QVM

CHARACTERISTICS



The QTS pump supplies the required pressure for the suction of powders and liquids and makes the mixing process inside the QIM pump faster and easier

THE PERFECT MIXER FOR HIGH VISCOSITY PRODUCTS

APPLICATIONS



NEW!

QDU SERIES



60 gpm / 227 lpm



up to 1000000 cP

362 psi / 25 bar
693 ft / 211 m

120 °C / 248 °F

QDU is the world's most advanced Drum Unloading Package, delivering the fastest transfer rates, maximum product recovery, simple cleaning and ease of use.

Energy efficient electric motor drive.

Unload rate up to 60 gpm (depending on the viscosity).

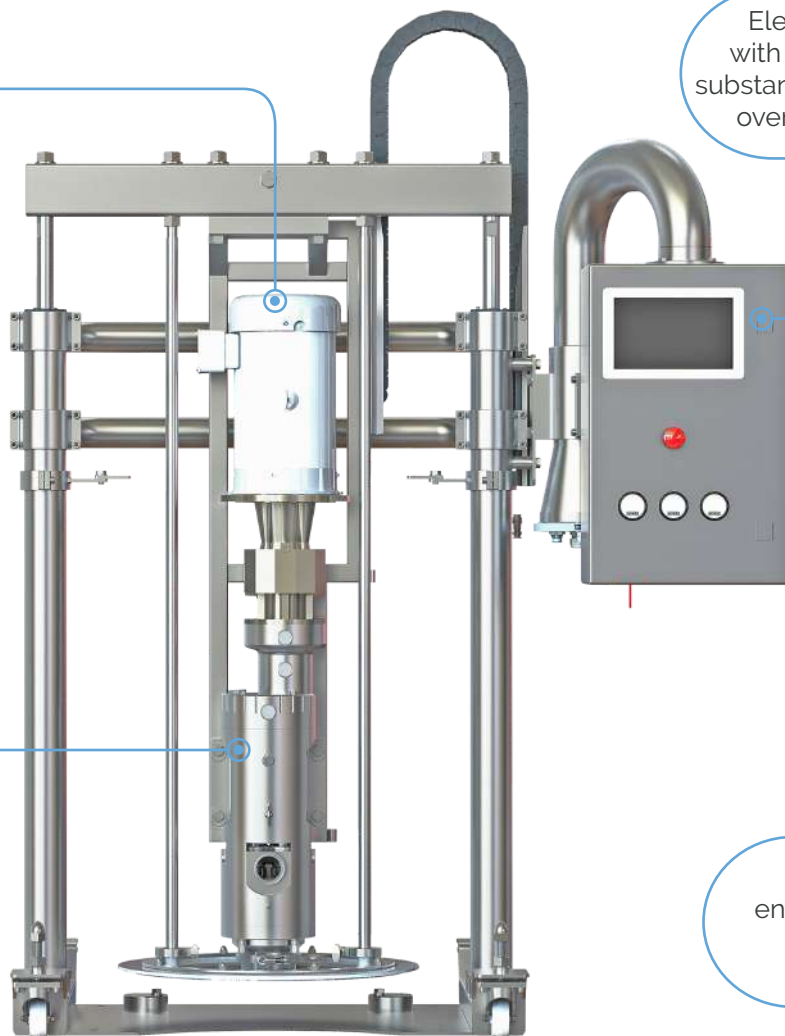
3-A and EHEDG certified QTS Twin Screw Pump

Low noise level

Electric drum Unloader with QTS pump provides a substantial increase in efficiency over air-operated pumps.

Easy to use touch screen control

Variable speed drive enables full speed control for both product and CIP duties.



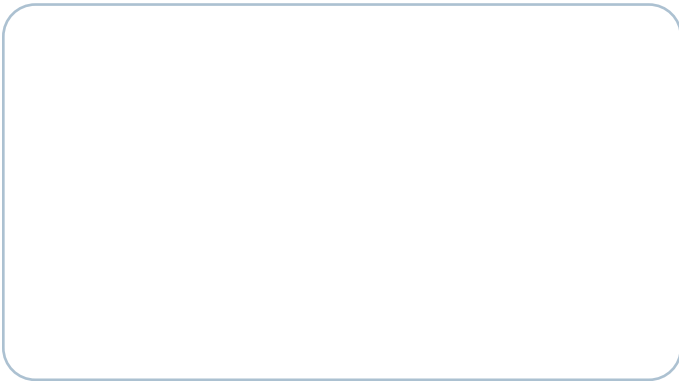
APPLICATIONS



Q-Pumps

For more information visit:
www.qpumps.com
or call us in +52 (442) 103 31 00

Distributed by:



QTS



QP



QL



QIS



QC



mixers