

HIGH EFFICIENCY VERTICAL MULTISTAGE CENTRIFUGAL PUMP

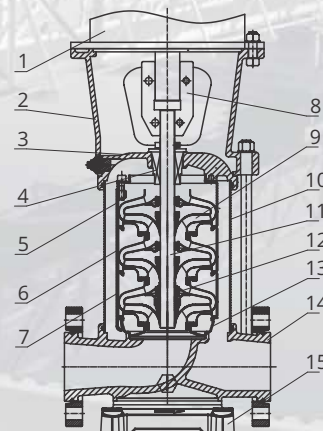
Series: **HMV140-100-6003**
60 HP

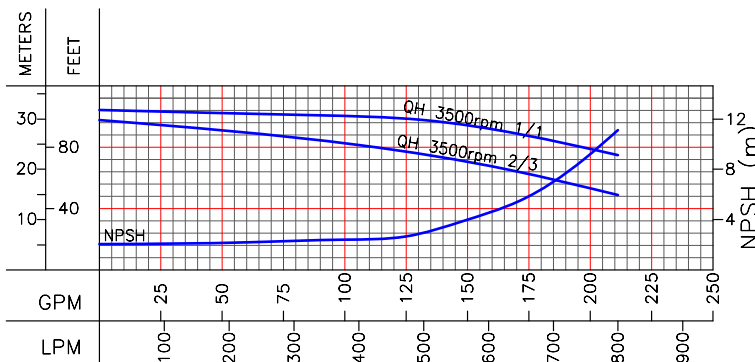
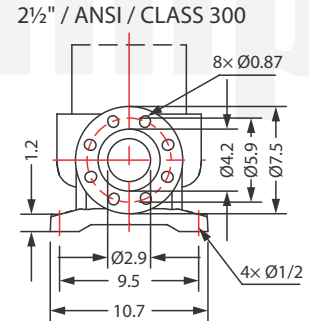
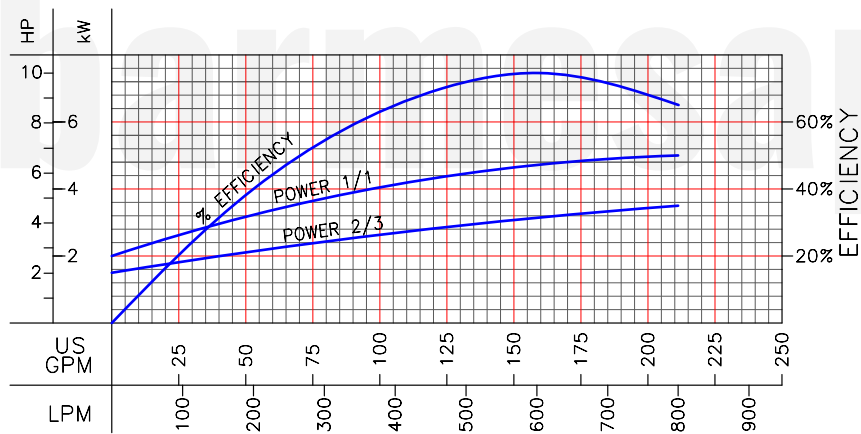
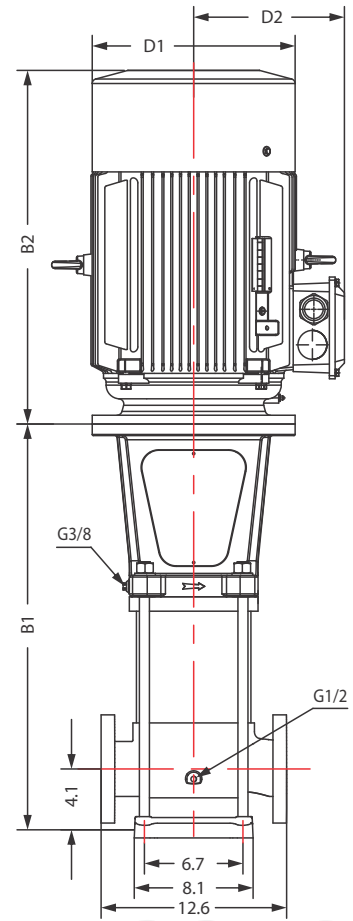
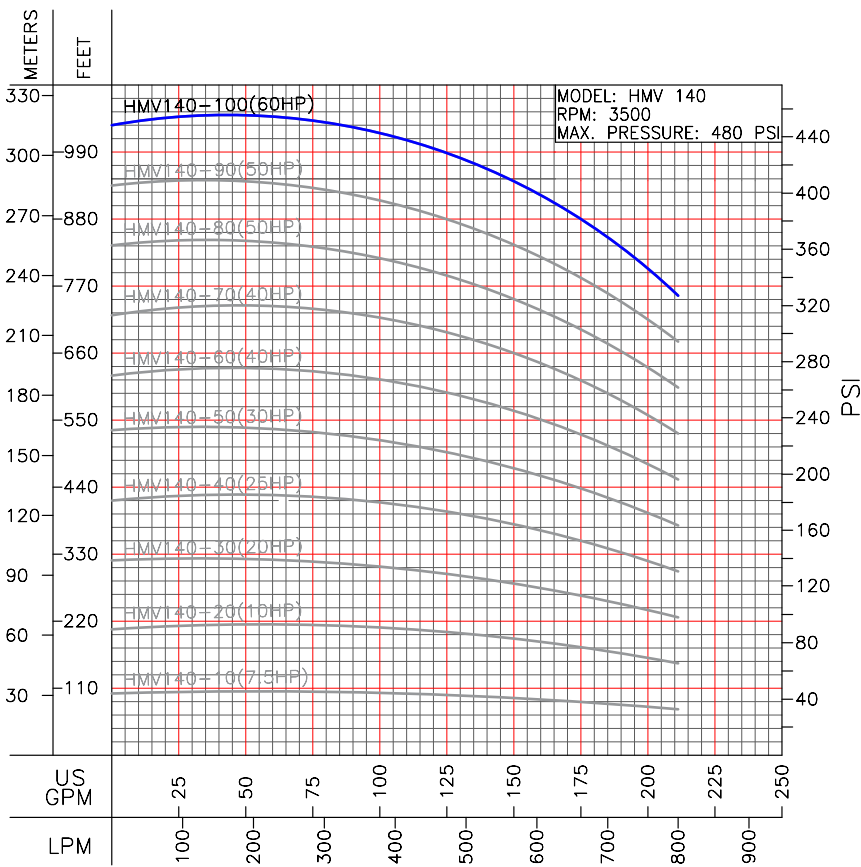


* Representative image

| TECHNICAL DATA | | | | | | | | |
|-------------------|------------|-----|------|---------|-----------|-----------------|--------------|-------------|
| MODEL | PART No. | HP | RPM | V | MAX. AMPS | MAX. TEMP. (°F) | MAX. Q (gpm) | MAX. H (ft) |
| HMV140-10-1-553 | 70120113A | 5.5 | 3500 | 230/460 | 13.5/6.7 | 248 | 200 | 95 |
| HMV140-10-753 | 70120113B | 7.5 | 3500 | 230/460 | 18.3/9.1 | 248 | 200 | 101 |
| HMV140-20-2-1003 | 70120113N | 10 | 3500 | 230/460 | 24.7/12.3 | 248 | 200 | 197 |
| HMV140-20-1003 | 70120113C | 10 | 3500 | 230/460 | 24.7/12.3 | 248 | 200 | 213 |
| HMV140-30-2-1503 | 70120113D | 15 | 3500 | 230/460 | 34/17 | 248 | 200 | 295 |
| HMV140-30-2003 | 70120113P | 20 | 3500 | 230/460 | 46/23 | 248 | 200 | 327 |
| HMV140-40-2-2003 | 70120113E | 20 | 3500 | 230/460 | 46/23 | 248 | 200 | 400 |
| HMV140-40-2503 | 70120113R | 25 | 3500 | 230/460 | 56.5/28.2 | 248 | 200 | 429 |
| HMV140-50-2-2503 | 70120113F | 25 | 3500 | 230/460 | 56.5/28.2 | 248 | 200 | 508 |
| HMV140-50-3003 | 70120113T | 30 | 3500 | 230/460 | 66.9/33.5 | 248 | 200 | 524 |
| HMV140-60-2-3003 | 70120113G | 30 | 3500 | 230/460 | 66.9/33.5 | 248 | 200 | 606 |
| HMV140-60-4003 | 70120113V | 40 | 3500 | 230/460 | 90.7/45.4 | 248 | 200 | 629 |
| HMV140-70-2-4003 | 70120113X | 40 | 3500 | 230/460 | 90.7/45.4 | 248 | 200 | 704 |
| HMV140-70-4003 | 70120113H | 40 | 3500 | 230/460 | 90.7/45.4 | 248 | 200 | 731 |
| HMV140-80-5003 | 70120113Z | 50 | 3500 | 230/460 | 111/55.7 | 248 | 200 | 806 |
| HMV140-90-2-5003 | 70120113I | 50 | 3500 | 230/460 | 111/55.7 | 248 | 200 | 895 |
| HMV140-90-5003 | 70120113Z2 | 50 | 3500 | 230/460 | 111/55.7 | 248 | 200 | 921 |
| HMV140-100-2-6006 | 70120113Z4 | 60 | 3500 | 230/460 | 134/66.8 | 248 | 200 | 1016 |
| HMV140-100-6003 | 70120113J | 60 | 3500 | 230/460 | 134/66.8 | 248 | 200 | 1032 |

| ITEM | NAME | MATERIAL | AISI/ASTM |
|------|------------------------|-------------------|--------------------|
| 1 | Motor | - | - |
| 2 | Bracket | Ductile cast iron | ASTM A536 65-45-12 |
| 3 | Seal base | Stainless steel | AISI 304 |
| 4 | Mechanical seal | SiC/Carbon | - |
| 5 | Top diffuser | Stainless steel | AISI 304 |
| 6 | Diffuser | Stainless steel | AISI 304 |
| 7 | Support diffuser | Stainless steel | AISI 304 |
| 8 | Coupling | Ductile iron | ASTM A536 65-45-12 |
| 9 | Impeller | Stainless steel | AISI 304 |
| 10 | Cylinder | Stainless steel | AISI 304 |
| 11 | Shaft | Stainless steel | AISI 304 |
| 12 | Bearing | Tungsten carbide | - |
| 13 | Inducer | Stainless steel | AISI 304 |
| 14 | Inlet & outlet chamber | Stainless steel | AISI 304 |
| 15 | Base | Cast iron | ASTM 25B |





| MODEL | HP | STAGES | SIZE (in) | | | | WEIGHT (lb) | |
|-------------------|-----|--------|-----------|----|-------|----|-------------|-----|
| | | | B1 | B2 | B1+B2 | D1 | | D2 |
| HMV140-10-1-553 | 5.5 | 1 | 18 | 16 | 34 | 9 | 7 | 176 |
| HMV140-10-753 | 7.5 | 1 | 18 | 18 | 37 | 10 | 8 | 229 |
| HMV140-20-2-1003 | 10 | 2 | 21 | 18 | 39 | 10 | 8 | 251 |
| HMV140-20-1003 | 10 | 2 | 21 | 18 | 39 | 10 | 8 | 251 |
| HMV140-30-2-1503 | 15 | 3 | 28 | 24 | 52 | 14 | 10 | 408 |
| HMV140-30-2003 | 20 | 3 | 28 | 24 | 52 | 14 | 10 | 437 |
| HMV140-40-2-2003 | 20 | 4 | 30 | 24 | 54 | 14 | 10 | 441 |
| HMV140-40-2503 | 25 | 4 | 30 | 25 | 56 | 14 | 10 | 476 |
| HMV140-50-2-2503 | 25 | 5 | 33 | 25 | 58 | 14 | 10 | 481 |
| HMV140-50-3003 | 30 | 5 | 33 | 25 | 58 | 14 | 11 | 492 |
| HMV140-60-2-3003 | 30 | 6 | 36 | 28 | 64 | 14 | 11 | 496 |
| HMV140-60-4003 | 40 | 6 | 36 | 28 | 64 | 16 | 12 | 518 |
| HMV140-70-2-4003 | 40 | 7 | 39 | 28 | 67 | 16 | 12 | 522 |
| HMV140-70-4003 | 40 | 7 | 39 | 28 | 67 | 16 | 12 | 522 |
| HMV140-80-5003 | 50 | 8 | 41 | 28 | 69 | 16 | 12 | 578 |
| HMV140-90-2-5003 | 50 | 9 | 44 | 28 | 72 | 16 | 12 | 582 |
| HMV140-90-5003 | 50 | 9 | 44 | 28 | 72 | 16 | 12 | 582 |
| HMV140-100-2-6006 | 60 | 10 | 47 | 29 | 76 | 18 | 13 | 743 |
| HMV140-100-6003 | 60 | 10 | 47 | 29 | 76 | 18 | 13 | 743 |