

HIGH EFFICIENCY VERTICAL MULTISTAGE CENTRIFUGAL PUMP

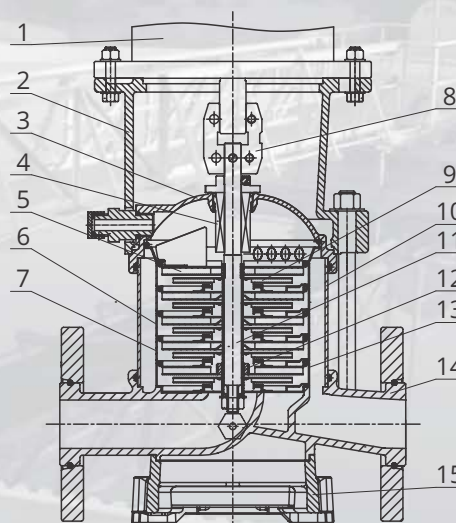
Series: **HMV5-170-403**
4 HP

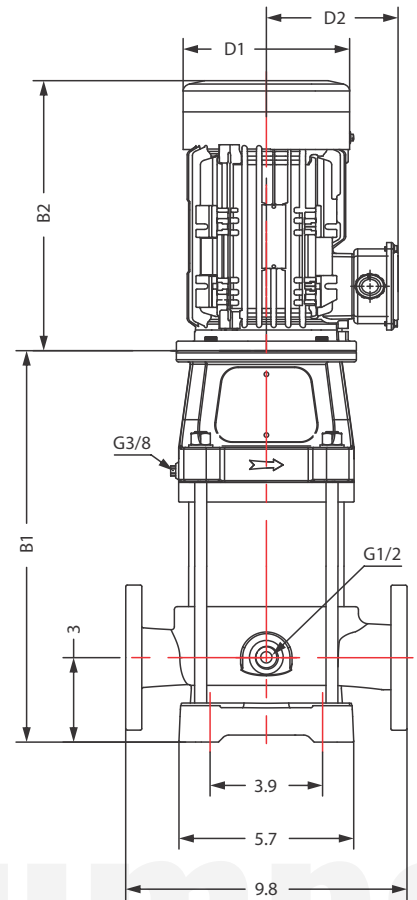
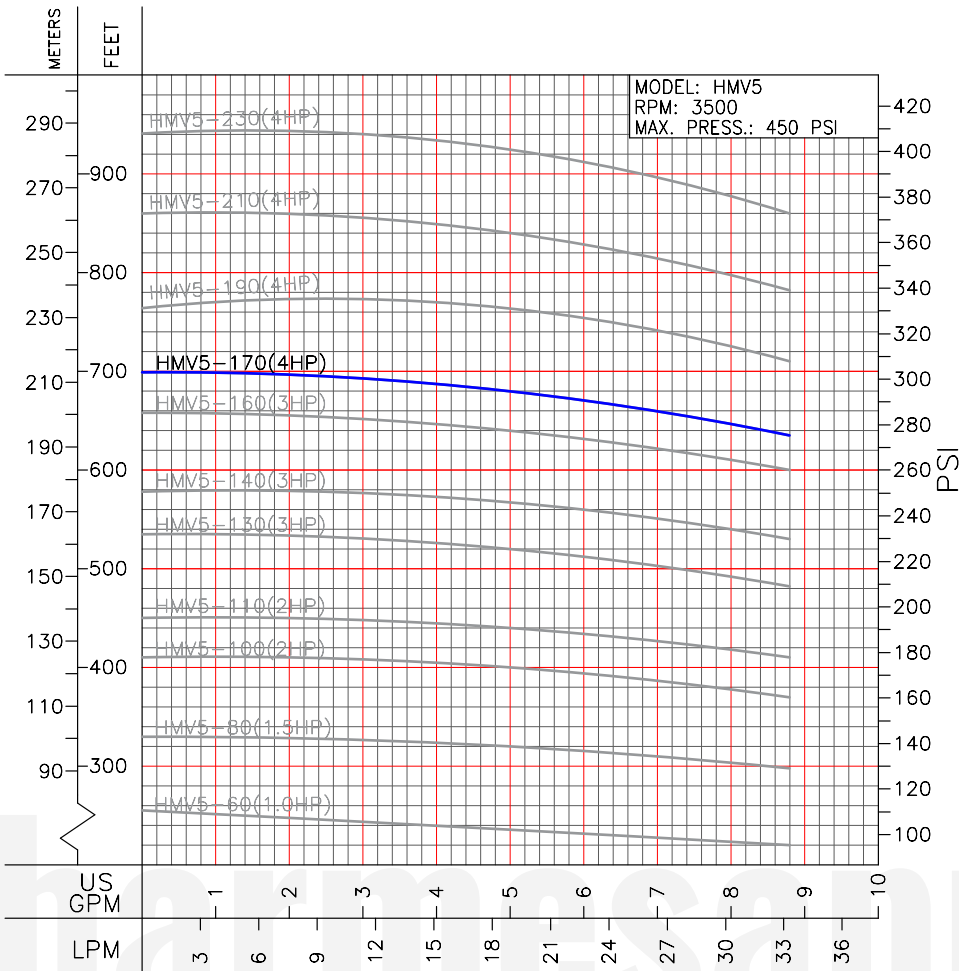


* Representative image

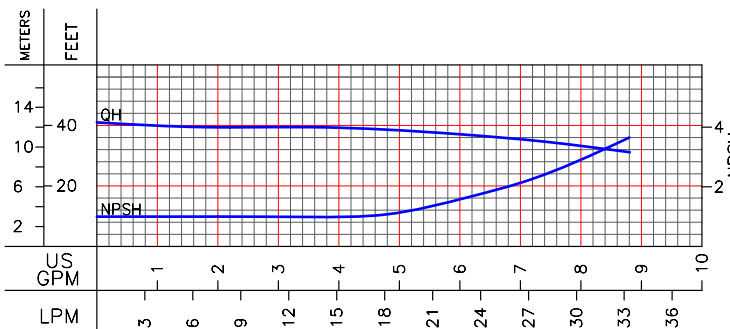
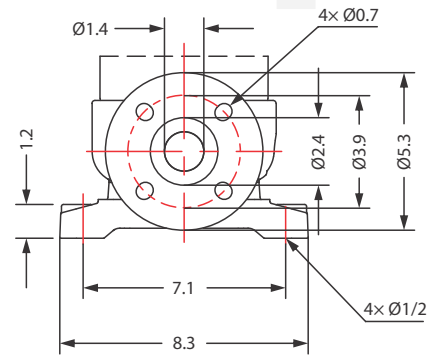
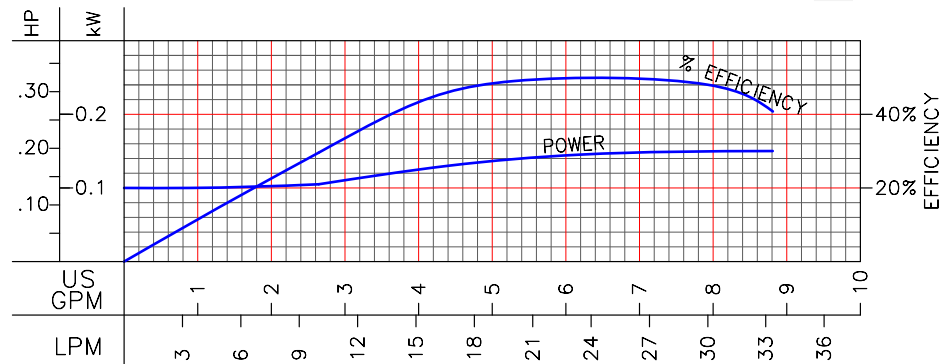
| TECHNICAL DATA | | | | | | | | |
|---------------------|------------------|----------|-------------|----------------|-----------------|-----------------|--------------|-------------|
| MODEL | PART No. | HP | RPM | V | MAX. AMPS | MAX. TEMP. (°F) | MAX. Q (gpm) | MAX. H (ft) |
| HMV5-60-103 | 70120101A | 1 | 3500 | 230/460 | 2.9/1.5 | 248 | 8.5 | 245 |
| HMV5-80-153 | 70120101B | 1.5 | 3500 | 230/460 | 4.2/2.1 | 248 | 8.5 | 328 |
| HMV5-100-203 | 70120101H | 2 | 3500 | 230/460 | 5.5/2.7 | 248 | 8.5 | 410 |
| HMV5-110-203 | 70120101C | 2 | 3500 | 230/460 | 5.5/2.7 | 248 | 8.5 | 450 |
| HMV5-130-303 | 70120101J | 3 | 3500 | 230/460 | 7.9/3.9 | 248 | 8.5 | 530 |
| HMV5-140-303 | 70120101L | 3 | 3500 | 230/460 | 7.9/3.9 | 248 | 8.5 | 574 |
| HMV5-160-303 | 70120101D | 3 | 3500 | 230/460 | 7.9/3.9 | 248 | 8.5 | 656 |
| HMV5-170-403 | 70120101N | 4 | 3500 | 230/460 | 10.3/5.1 | 248 | 8.5 | 695 |
| HMV5-190-403 | 70120101P | 4 | 3500 | 230/460 | 10.3/5.1 | 248 | 8.5 | 777 |
| HMV5-210-403 | 70120101R | 4 | 3500 | 230/460 | 10.3/5.1 | 248 | 8.5 | 860 |
| HMV5-230-403 | 70120101E | 4 | 3500 | 230/460 | 10.3/5.1 | 248 | 8.5 | 940 |

| ITEM | NAME | MATERIAL | AISI/ASTM |
|------|------------------------|-------------------|--------------------|
| 1 | Motor | - | - |
| 2 | Bracket | Ductile cast iron | ASTM A536 65-45-12 |
| 3 | Seal base | Stainless steel | AISI 304 |
| 4 | Mechanical seal | SiC/Carbon | - |
| 5 | Top diffuser | Stainless steel | AISI 304 |
| 6 | Diffuser | Stainless steel | AISI 304 |
| 7 | Support diffuser | Stainless steel | AISI 304 |
| 8 | Coupling | Ductile cast iron | ASTM A536 65-45-12 |
| 9 | Impeller | Stainless steel | AISI 304 |
| 10 | Cylinder | Stainless steel | AISI 304 |
| 11 | Shaft | Stainless steel | AISI 304 |
| 12 | Bearing | Tungsten carbide | - |
| 13 | Inducer | Stainless steel | AISI304 |
| 14 | Inlet & outlet chamber | Stainless steel | AISI 304 |
| 15 | Base | Cast iron | ASTM 25B |





1 1/4" / ANSI / CLASS 300



| MODEL | HP | STAGES | SIZE (in) | | | | WEIGHT (lb) | |
|--------------|-----|--------|-----------|----|-------|----|-------------|-----|
| | | | B1 | B2 | B1+B2 | D1 | | D2 |
| HMV5-60-103 | 1 | 6 | 14 | 11 | 25 | 7 | 6 | 66 |
| HMV5-80-153 | 1.5 | 8 | 15 | 11 | 26 | 7 | 6 | 75 |
| HMV5-100-203 | 2 | 10 | 17 | 14 | 31 | 7 | 6 | 90 |
| HMV5-110-203 | 2 | 11 | 17 | 14 | 31 | 7 | 6 | 90 |
| HMV5-130-303 | 3 | 13 | 19 | 14 | 33 | 7 | 6 | 101 |
| HMV5-140-303 | 3 | 14 | 20 | 14 | 33 | 7 | 6 | 104 |
| HMV5-160-303 | 3 | 16 | 21 | 14 | 35 | 7 | 6 | 108 |
| HMV5-170-403 | 4 | 17 | 22 | 16 | 38 | 8 | 6 | 121 |
| HMV5-190-403 | 4 | 19 | 24 | 16 | 40 | 8 | 6 | 123 |
| HMV5-210-403 | 4 | 21 | 25 | 16 | 41 | 8 | 6 | 128 |
| HMV5-230-403 | 4 | 23 | 26 | 16 | 43 | 8 | 6 | 132 |