



Barmesa® Pumps



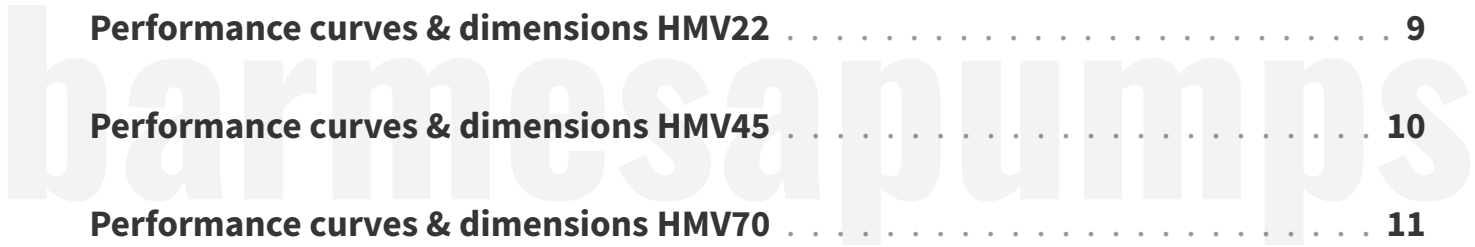
CSA®
C US
Drinking Water
NSF/ANSI 61
NSF/ANSI 372

seal plate and
suction/discharge chamber
in stainless steel

High Efficiency Vertical Multistage Centrifugal Pumps HMV series

barmesapumps.com/US

| | |
|---|-----------|
| Pump, motor and operating conditions | 1 |
| Applications | 2 |
| Performance scope & specifications | 3 |
| NPSH & operation in parallel | 4 |
| Max. pressure & temperature | 5 |
| Components & materials | 6 |
| Performance curves & dimensions HMV5 | 7 |
| Performance curves & dimensions HMV14 | 8 |
| Performance curves & dimensions HMV22 | 9 |
| Performance curves & dimensions HMV45 | 10 |
| Performance curves & dimensions HMV70 | 11 |
| Performance curves & dimensions HMV95 | 12 |
| Performance curves & dimensions HMV140 | 13 |
| Performance curves & dimensions HMV140-2 | 14 |
| Performance curves & dimensions HMV200 | 15 |
| Performance curves & dimensions HMV200-2 | 16 |
| Performance curves & dimensions HMV300 | 17 |
| Performance curves & dimensions HMV300-2 | 18 |
| Technical data | 19 |



VERTICAL MULTISTAGE PUMPS



Our vertical multistage centrifugal pumps are driven by premium efficiency electric motors. The output shaft of the motor is directly connected with the pump shaft through a coupling. The pressure resistant cylinder and flow passage components are fixed between the pump head and the inlet and outlet section with clamping bolts. The inlet and outlet are located at the bottom of the pump in the same plane.



Premium efficiency motor

- ✓ 1 HP up to 75 HP
- ✓ Totally enclosed fan-cooled
- ✓ Three phase, 3500 RPM
- ✓ 230/460 volts, 60 Hz
- ✓ IP55 protection class
- ✓ Class F insulation



Operating conditions

- ✓ Thin, clean, non-flammable and non-explosive liquid, free of granules and fibers.
- ✓ Liquid temperature:
 - Hot water type: 5 °F ~ 248 °F
- ✓ Ambient temperature up to 104 °F
- ✓ Height up to 1000 ft



Applications

HMV series pumps are designed to ensure that they can be installed directly into the piping system with the same diameters and the outlet and inlet are at the same level. This structure design makes the connection of the pump to the pipeline more compact.

We have them in a wide variety of specifications to meet your flow and pressure requirements. In addition, they can handle not only water, but also various industrial liquid media, of different temperatures, flow rates and pressure ranges. A single pump can solve multiple water supply problems!

Water supply

- ✓ Water filtration and transport
- ✓ Water distribution
- ✓ Net pressure increase for high-rise buildings
- ✓ Industrial water pressure boosting

Irrigation

- ✓ Irrigation by region
- ✓ Sprinkler irrigation
- ✓ Drip irrigation

Industrial boosting

- ✓ Process water system
- ✓ Cleaning system
- ✓ High pressure washing system
- ✓ Fire fighting system
- ✓ Automobile cleaning system

Delivery

- ✓ Oil and alcohol
- ✓ Acid and alkali
- ✓ Ethylene, glycol and coolant

Industrial liquid transportation

- ✓ Refrigeration and air conditioning system
- ✓ Boiler feed water system
- ✓ Temperature system
- ✓ Machine adjustment

Water treatment

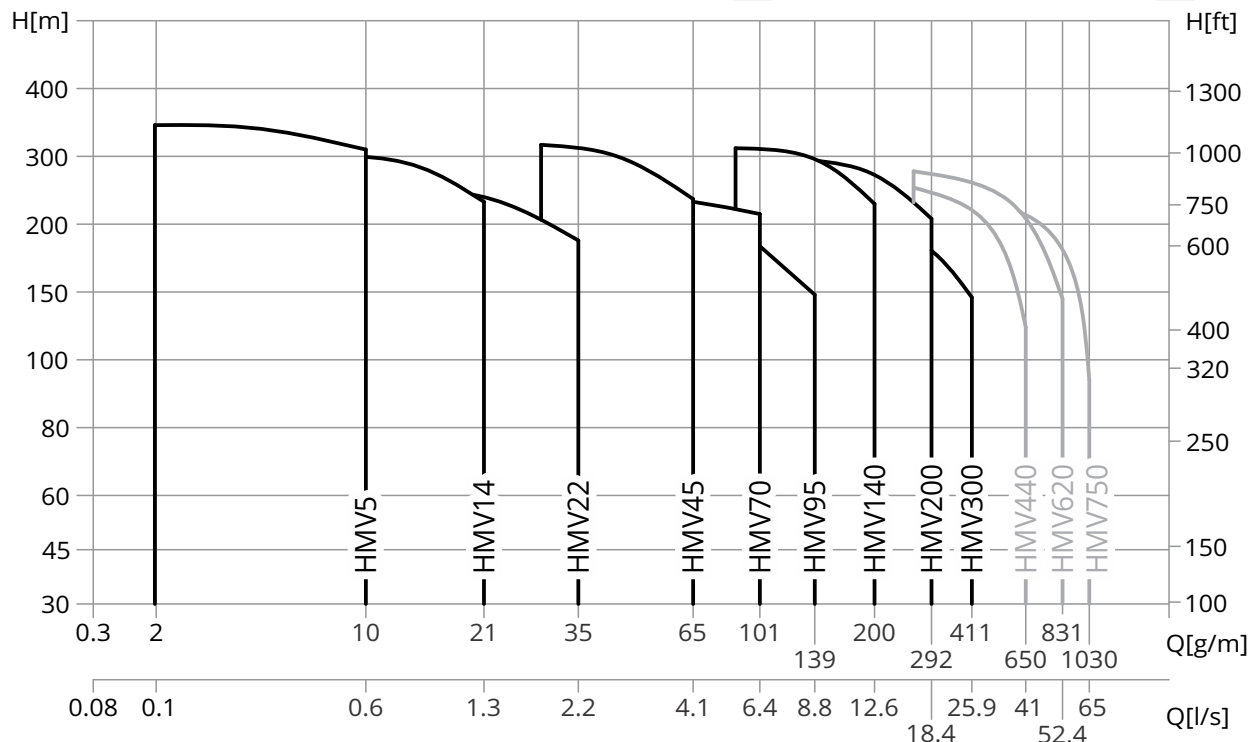
- ✓ Ultrafiltration system
- ✓ Reverse osmosis system
- ✓ Distillation system



PERFORMANCE SCOPE & SPECIFICATIONS

| PARAMETER | HMV5 | HMV14 | HMV22 | HMV45 | HMV70 | HMV95 |
|---------------------|-------|---------|-----------|--------|--------|--------|
| Rated flow (gpm) | 5 | 14 | 22 | 45 | 70 | 95 |
| Rated flow (lps) | 0.3 | 0.9 | 1.4 | 2.8 | 4.4 | 6 |
| Max. flow (gpm) | 10 | 21 | 35 | 65 | 101 | 139 |
| Max. flow (lps) | 0.6 | 1.3 | 2.2 | 4.1 | 6.4 | 8.8 |
| Max. pressure (PSI) | 522 | 479 | 406 | 479 | 377 | 319 |
| Motor capacity (HP) | 1 - 4 | 1 - 5.5 | 1.5 - 7.5 | 3 - 20 | 3 - 25 | 3 - 25 |
| Max. temp. (°F) | 248 | | | | | |
| Max. temp. (°C) | 120 | | | | | |
| ANSI flange | 1¼" | 1¼" | 1¼" | 1½" | 2" | 2" |

| PARAMETER | HMV140 | HMV200 | HMV300 | HMV440 | HMV620 | HMV750 |
|---------------------|----------|----------|---------|----------|----------|----------|
| Rated flow (gpm) | 140 | 200 | 300 | 440 | 620 | 750 |
| Rated flow (lps) | 8.8 | 12.6 | 19 | 28 | 39.2 | 47 |
| Max. flow (gpm) | 200 | 292 | 411 | 650 | 831 | 1030 |
| Max. flow (lps) | 12.6 | 18.4 | 25.9 | 41 | 52.4 | 65 |
| Max. pressure (PSI) | 479 | 464 | 334 | 421 | 435 | 377 |
| Motor capacity (HP) | 5.5 - 60 | 7.5 - 75 | 15 - 75 | 20 - 120 | 20 - 150 | 25 - 150 |
| Max. temp. (°F) | 248 | | | | | |
| Max. temp. (°C) | 120 | | | | | |
| ANSI flange | 2½" | 3" | 4" | 4" | 6" | 6" |



Minimum inlet pressure NPSH

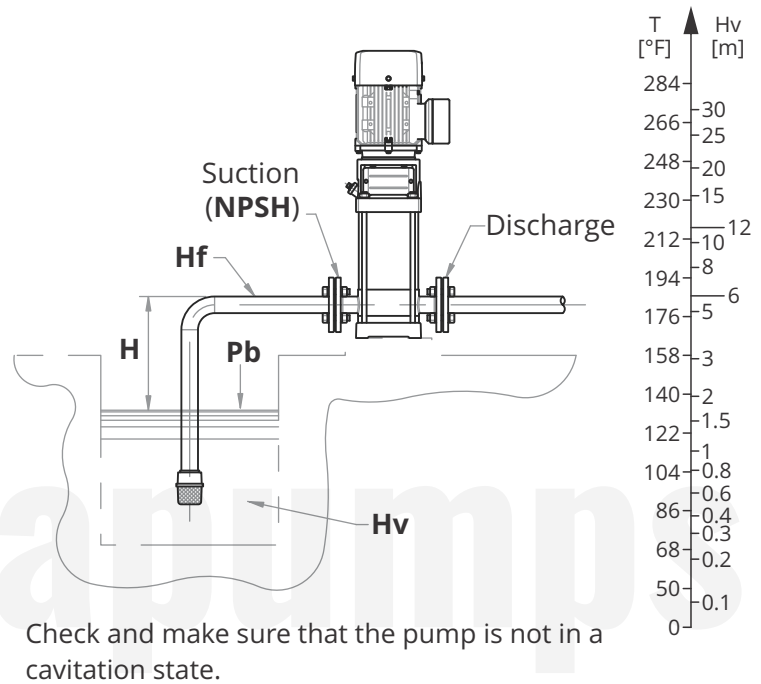
If the pressure in the pump is lower than the pressure of the vapor used to transport the liquid, cavitations will occur. To avoid cavitations, a minimum pressure must be guaranteed on the inlet side of the pump. The maximum suction pressure can be calculated with the following formula:

$$H = P_b \times 10.2 - NPSH - H_f - H_v - H_s$$

Where:

- **P_b** = atmosphere pressure in bar (can be set as 1). In a closed system, it means system pressure.
- **NPSH** = net positive suction head in meters. It can be read out from the point of possible max. flow rate shown on NPSH curve.
- **H_f** = pipeline loss at the inlet in meters.
- **H_v** = steam pressure in meters.
- **H_s** = safety margin of minimum 0.5 meters delivery head.

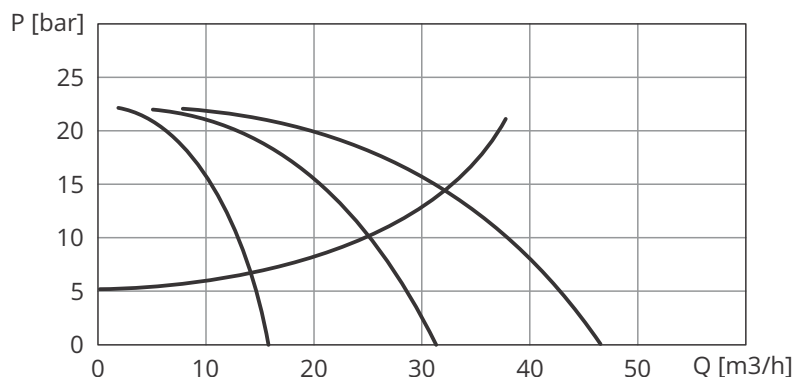
If the calculated result H is positive, the pump may run under the max. suction pressure H. In case the calculated result H is negative, a delivery head of min. inlet pressure is necessary.



Operation in parallel

The connection of several pumps in parallel operation will be much more beneficial than the operation of a single large pump.

- ✓ Applicable to the different modes of operation required in a variable flow system.
- ✓ This setup increases the possibility of water supply when a pump fails, because only a part of the system flow is affected.

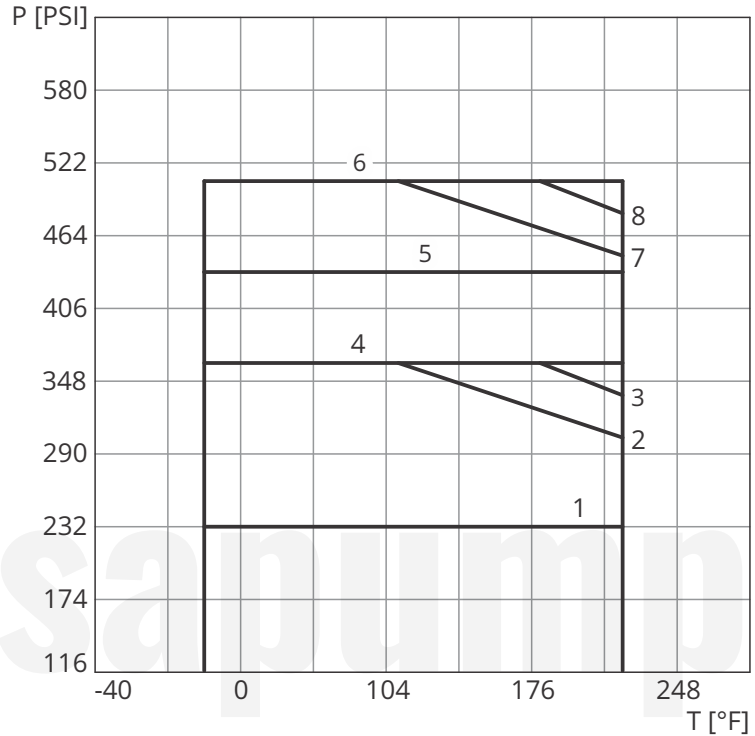


MAX. PRESSURE & TEMPERATURE

Maximum working pressure

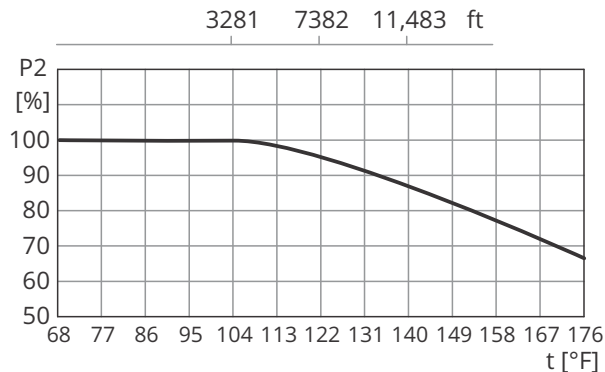
The following graph shows the limitation of pressure and temperature, which shall be in the scope as shown.

| MODEL | CURVE No. |
|-------------|-----------|
| HMV 5 | 7 |
| HMV 22 | 2 |
| HMV 14 y 45 | 8 |
| HMV 70 y 95 | 3 |
| HMV 140 | |
| 10-1 ~ 50-2 | 1 |
| 50 ~ 80-2 | 4 |
| 80 ~ 100 | 6 |
| HMV 200 | |
| 10-1 ~ 40 | 1 |
| 40-2 ~ 60 | 4 |
| 70-2 ~ 80-2 | 6 |
| HMV 300 | |
| 10-1 ~ 30 | 1 |
| 40-2 ~ 50-2 | 4 |
| HMV 440 | |
| 10 ~ 30 | 1 |
| 40-2 ~ 50 | 4 |
| 50-3 ~ 60 | 5 |
| HMV 620 | |
| 10-1 ~ 30 | 1 |
| 40-2 ~ 50 | 4 |
| 60-2 ~ 60 | 5 |
| HMV 750 | |
| 10-1 ~ 30-1 | 1 |
| 30 ~ 50-2 | 4 |



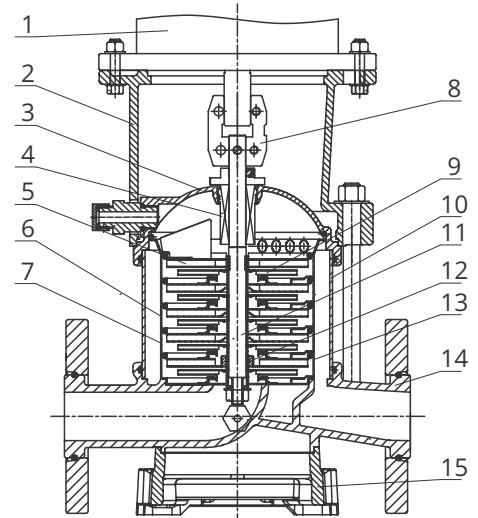
Max. ambient temperature

When the pump operates at an ambient temperature above 104 °F or at an altitude above 3281 ft, due to low air density and poor cooling effects, the output power of the P2 motor will be reduced to some extent. If the pump operates under the above conditions, it should be equipped with a higher power motor.

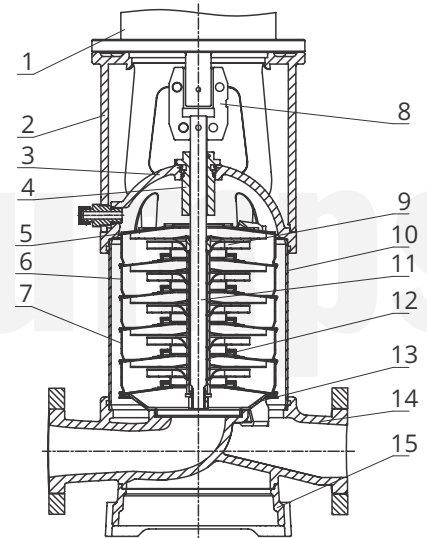


Materials for HMV 5, 14, 22

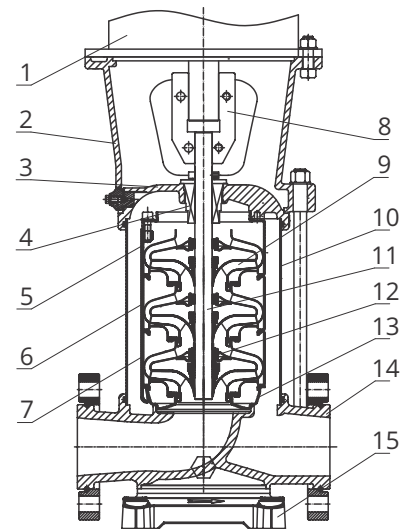
| ITEM | NAME | MATERIAL | AISI/ASTM |
|------|------------------------|--------------------|--------------------|
| 1 | Motor | - | - |
| 2 | Bracket | Ductile cast iron | ASTM A536 65-45-12 |
| 3 | Seal base | Stainless steel | AISI 304 |
| 4 | Mechanical seal | TC/Graphite/Viton® | - |
| 5 | Top diffuser | Stainless steel | AISI 304 |
| 6 | Diffuser | Stainless steel | AISI 304 |
| 7 | Support diffuser | Stainless steel | AISI 304 |
| 8 | Coupling | Ductile cast iron | ASTM A536 65-45-12 |
| 9 | Impeller | Stainless steel | AISI 304 |
| 10 | Cylinder | Stainless steel | AISI 304 |
| 11 | Shaft | Stainless steel | AISI 304 |
| 12 | Bearing | Tungsten carbide | - |
| 13 | Inducer | Stainless steel | AISI304 |
| 14 | Inlet & outlet chamber | Stainless steel | AISI 304 |
| 15 | Base | Cast iron | ASTM 25B |



HMV 5, 14, 22



HMV 45, 70, 95

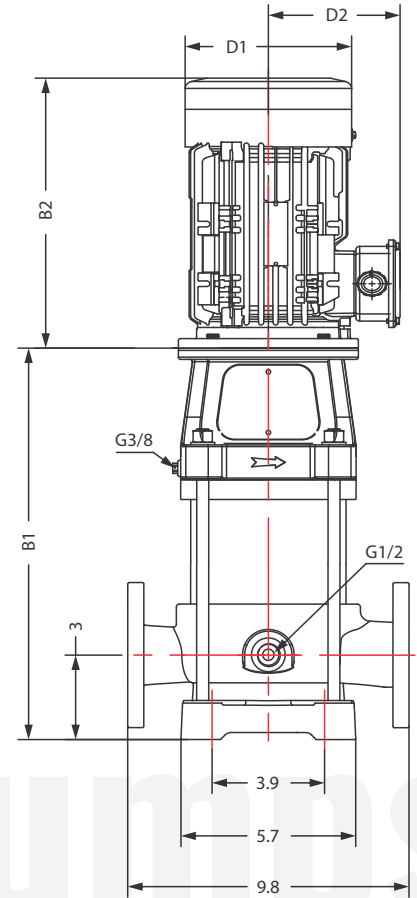
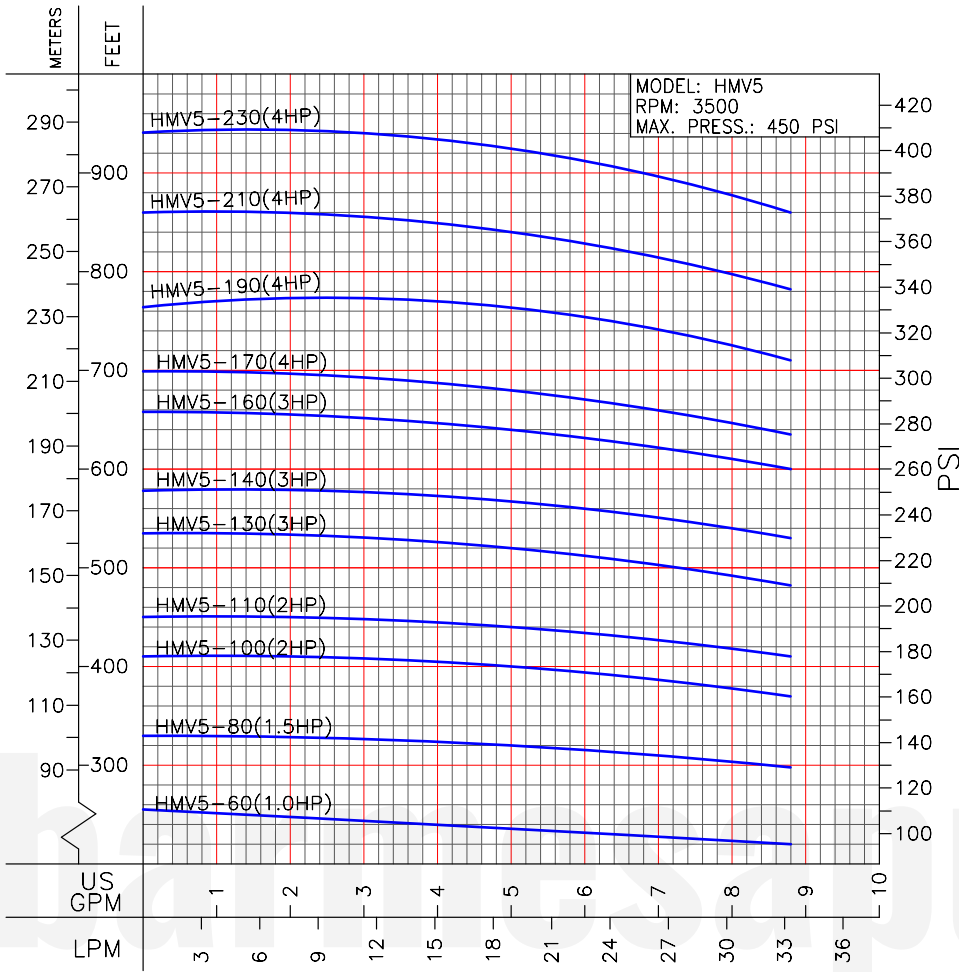


HMV 140, 200, 300

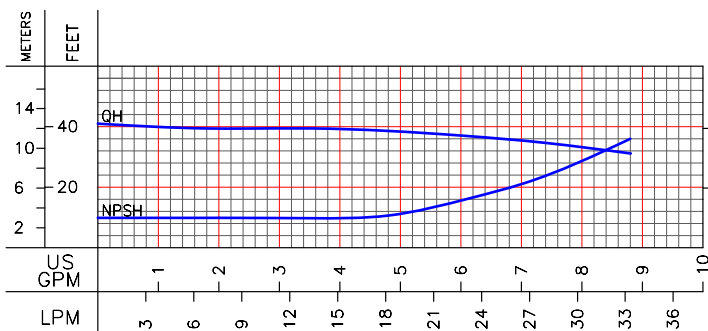
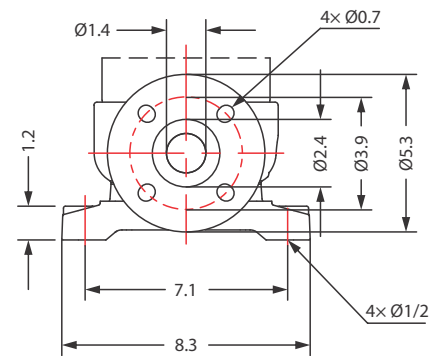
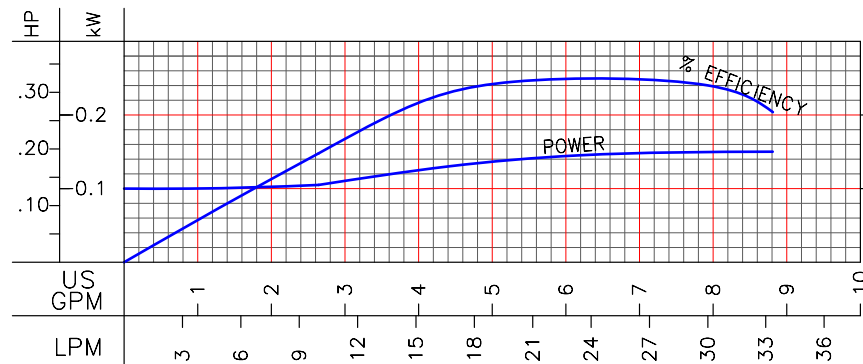
Materials for HMV 45, 70, 95, 140, 200, 300

| ITEM | NAME | MATERIAL | AISI/ASTM |
|------|------------------------|--------------------|--------------------|
| 1 | Motor | - | - |
| 2 | Bracket | Ductile cast iron | ASTM A536 65-45-12 |
| 3 | Seal base | Stainless steel | AISI 304 |
| 4 | Mechanical seal | TC/Graphite/Viton® | - |
| 5 | Top diffuser | Stainless steel | AISI 304 |
| 6 | Diffuser | Stainless steel | AISI 304 |
| 7 | Support diffuser | Stainless steel | AISI 304 |
| 8 | Coupling | Ductile iron | ASTM A536 65-45-12 |
| 9 | Impeller | Stainless steel | AISI 304 |
| 10 | Cylinder | Stainless steel | AISI 304 |
| 11 | Shaft | Stainless steel | AISI 304 |
| 12 | Bearing | Tungsten carbide | - |
| 13 | Inducer | Stainless steel | AISI 304 |
| 14 | Inlet & outlet chamber | Stainless steel | AISI 304 |
| 15 | Base | Cast iron | ASTM 25B |

PERFORMANCE CURVES & DIMENSIONS HMV5

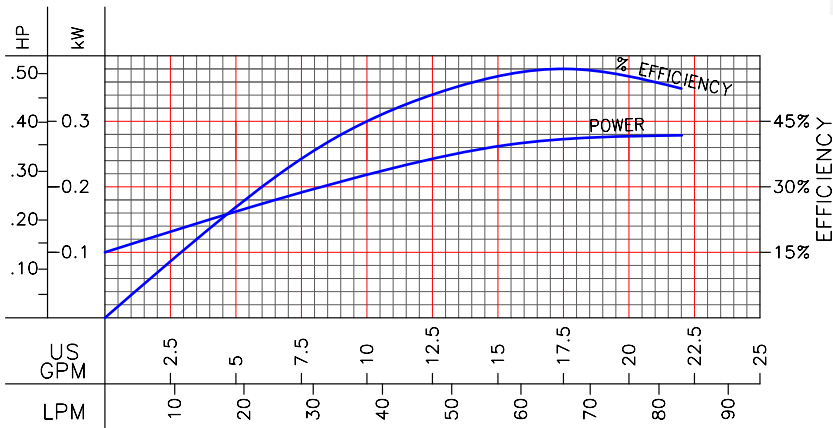
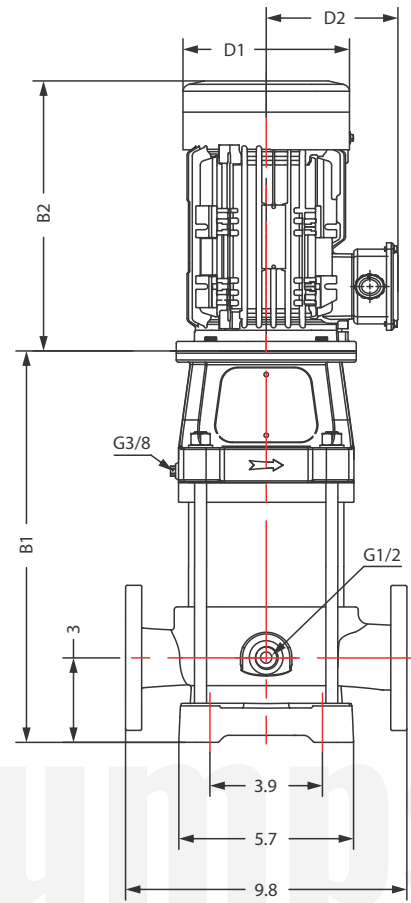
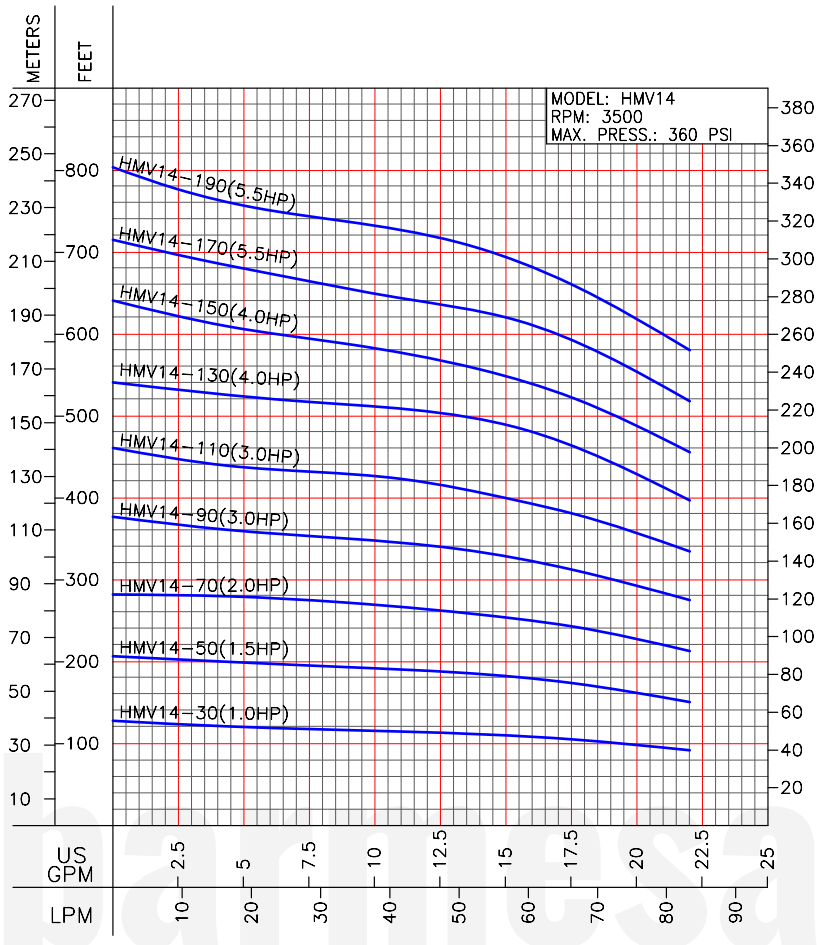


1 1/4" / ANSI / CLASS 300

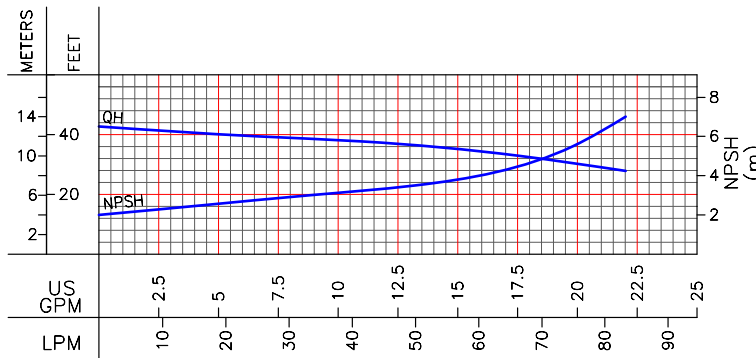
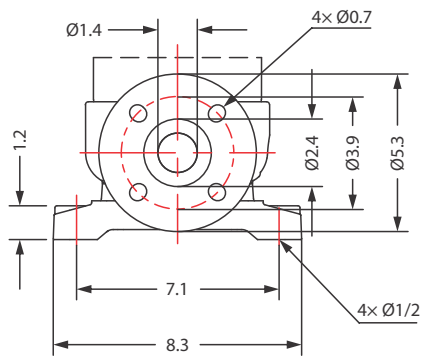


| MODEL | HP | STAGES | SIZE (in) | | | | WEIGHT (lb) | |
|--------------|-----|--------|-----------|----|-------|----|-------------|-----|
| | | | B1 | B2 | B1+B2 | D1 | | D2 |
| HMV5-60-103 | 1 | 6 | 14 | 11 | 25 | 7 | 6 | 66 |
| HMV5-80-153 | 1.5 | 8 | 15 | 11 | 26 | 7 | 6 | 75 |
| HMV5-100-203 | 2 | 10 | 17 | 14 | 31 | 7 | 6 | 90 |
| HMV5-110-203 | 2 | 11 | 17 | 14 | 31 | 7 | 6 | 90 |
| HMV5-130-303 | 3 | 13 | 19 | 14 | 33 | 7 | 6 | 101 |
| HMV5-140-303 | 3 | 14 | 20 | 14 | 33 | 7 | 6 | 104 |
| HMV5-160-303 | 3 | 16 | 21 | 14 | 35 | 7 | 6 | 108 |
| HMV5-170-403 | 4 | 17 | 22 | 16 | 38 | 8 | 6 | 121 |
| HMV5-190-403 | 4 | 19 | 24 | 16 | 40 | 8 | 6 | 123 |
| HMV5-210-403 | 4 | 21 | 25 | 16 | 41 | 8 | 6 | 128 |
| HMV5-230-403 | 4 | 23 | 26 | 16 | 43 | 8 | 6 | 132 |

PERFORMANCE CURVES & DIMENSIONS HMV14

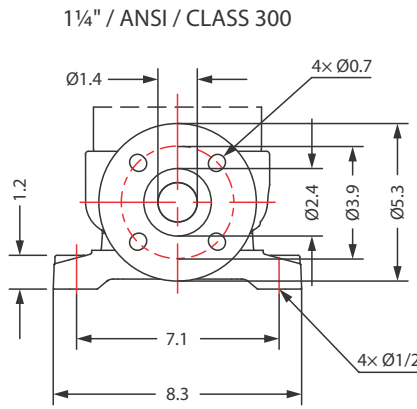
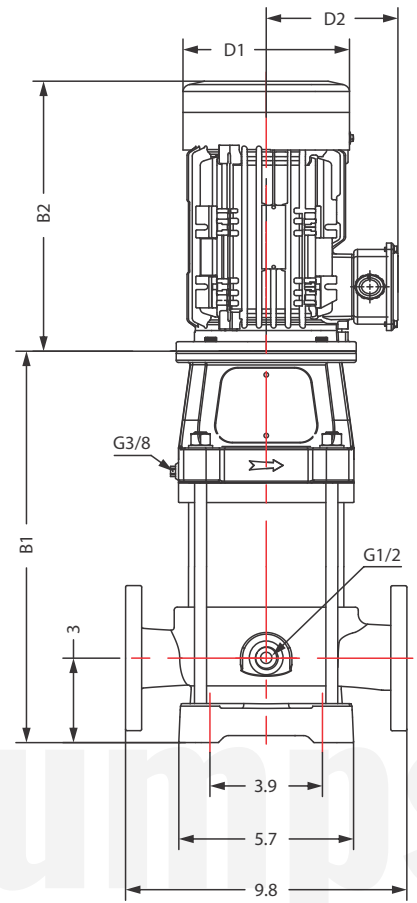
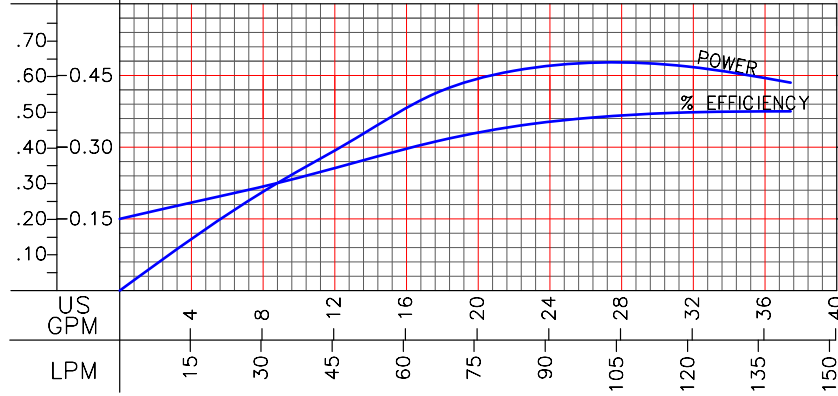
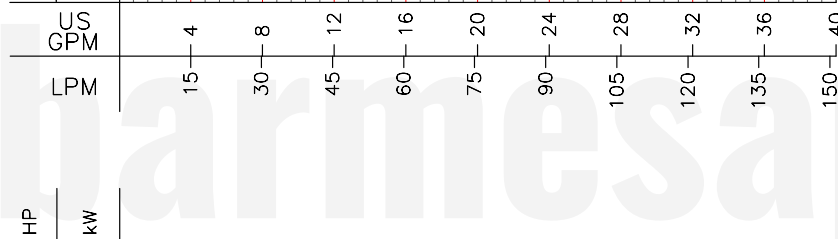
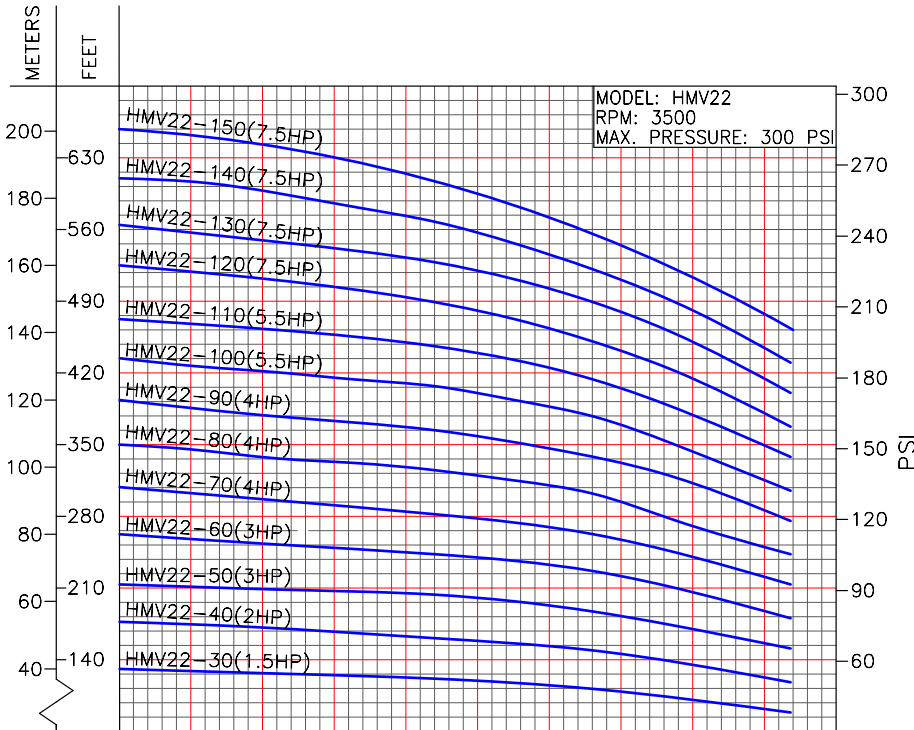


1 1/4" / ANSI / CLASS 300



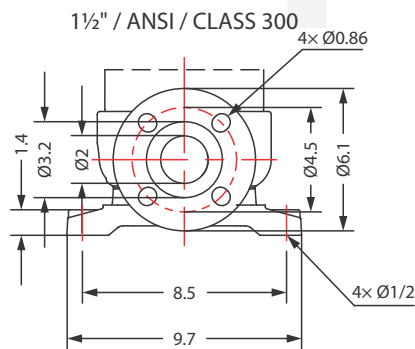
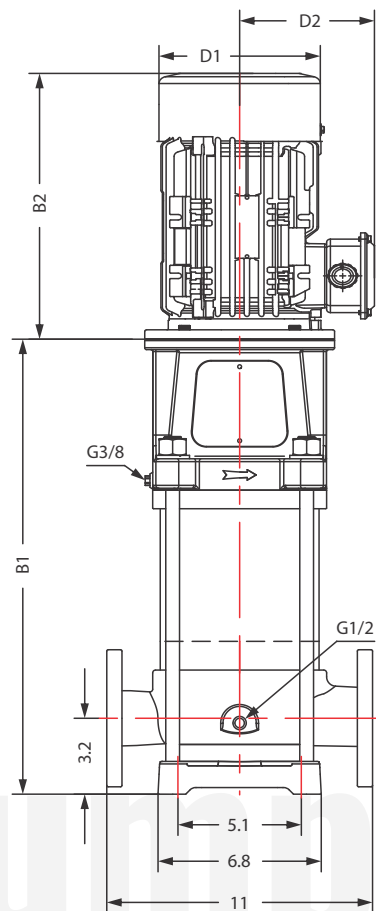
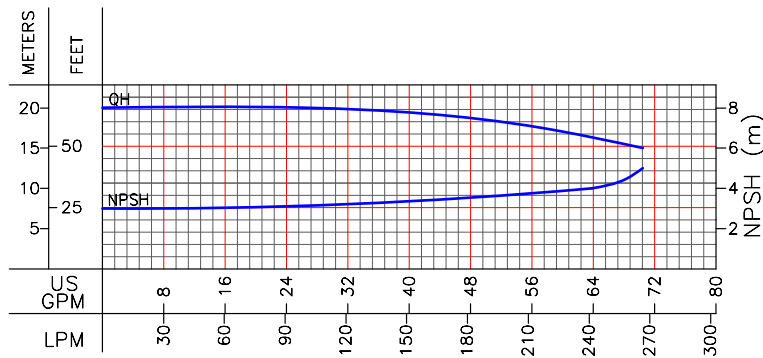
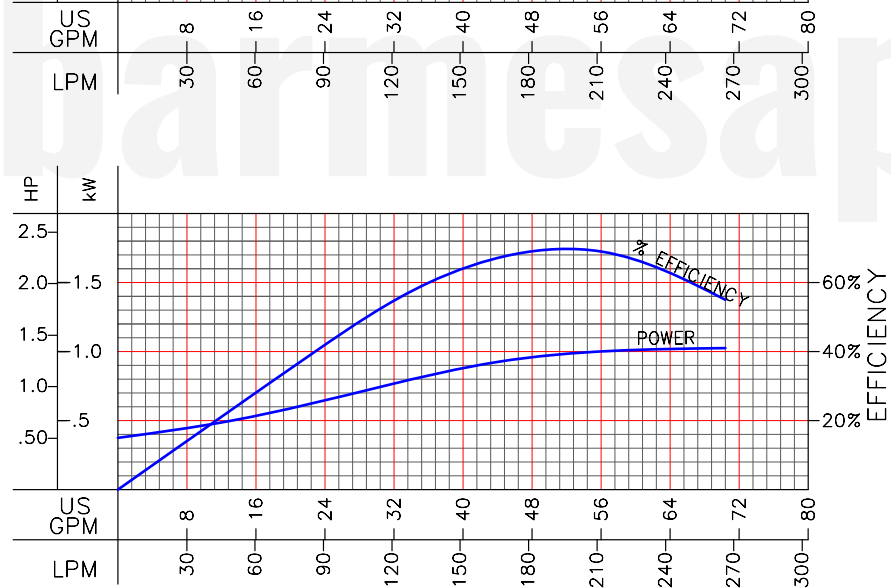
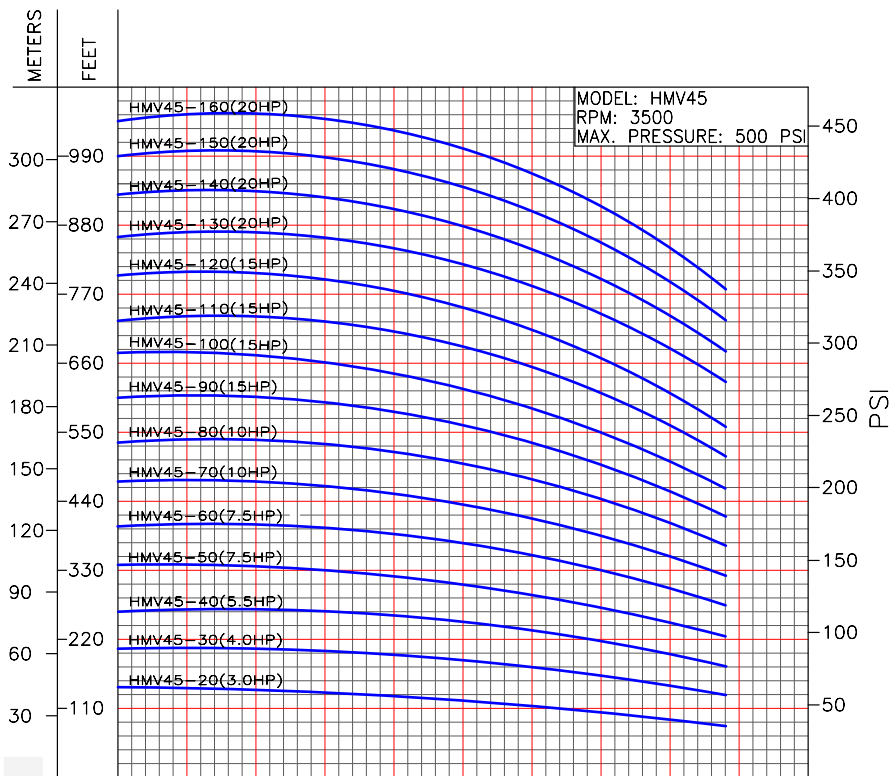
| MODEL | HP | STAGES | SIZE (in) | | | D1 | D2 | WEIGHT (lb) |
|---------------|-----|--------|-----------|----|-------|----|----|-------------|
| | | | B1 | B2 | B1+B2 | | | |
| HMV14-30-103 | 1 | 3 | 11 | 11 | 22 | 7 | 6 | 64 |
| HMV14-50-153 | 1.5 | 5 | 13 | 11 | 24 | 7 | 6 | 71 |
| HMV14-70-203 | 2 | 7 | 15 | 14 | 28 | 7 | 6 | 86 |
| HMV14-90-303 | 3 | 9 | 16 | 14 | 30 | 7 | 6 | 101 |
| HMV14-110-303 | 3 | 11 | 17 | 14 | 31 | 7 | 6 | 106 |
| HMV14-130-403 | 4 | 13 | 19 | 16 | 35 | 8 | 6 | 119 |
| HMV14-150-403 | 4 | 15 | 21 | 16 | 37 | 8 | 6 | 123 |
| HMV14-170-553 | 5 | 17 | 22 | 16 | 38 | 9 | 7 | 130 |
| HMV14-190-553 | 5 | 19 | 24 | 16 | 40 | 9 | 7 | 132 |

PERFORMANCE CURVES & DIMENSIONS HMV22



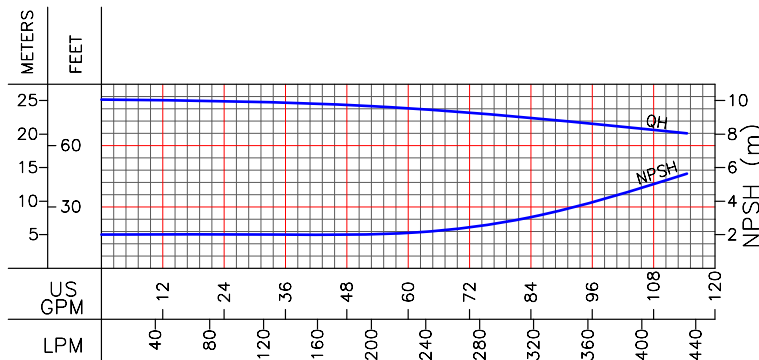
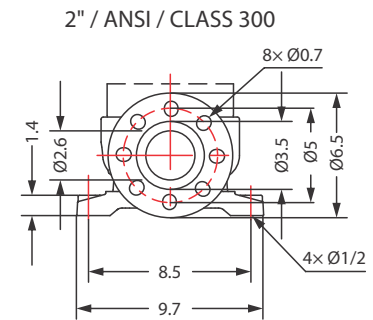
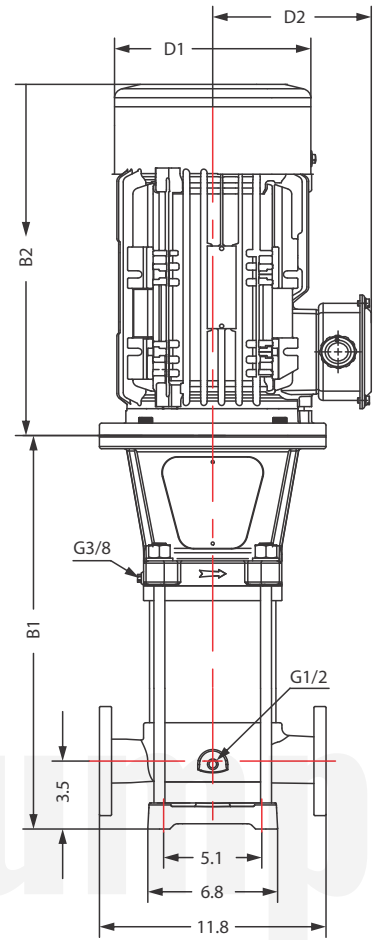
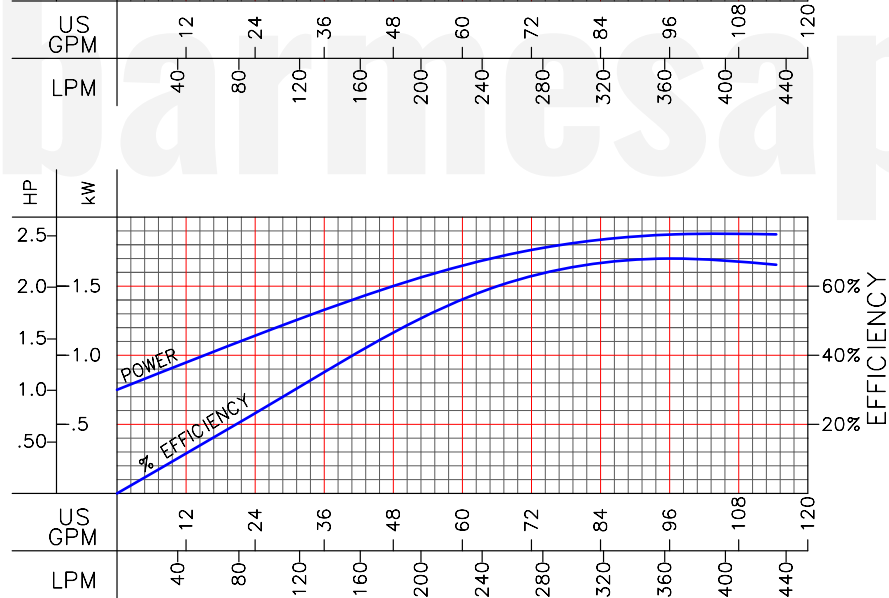
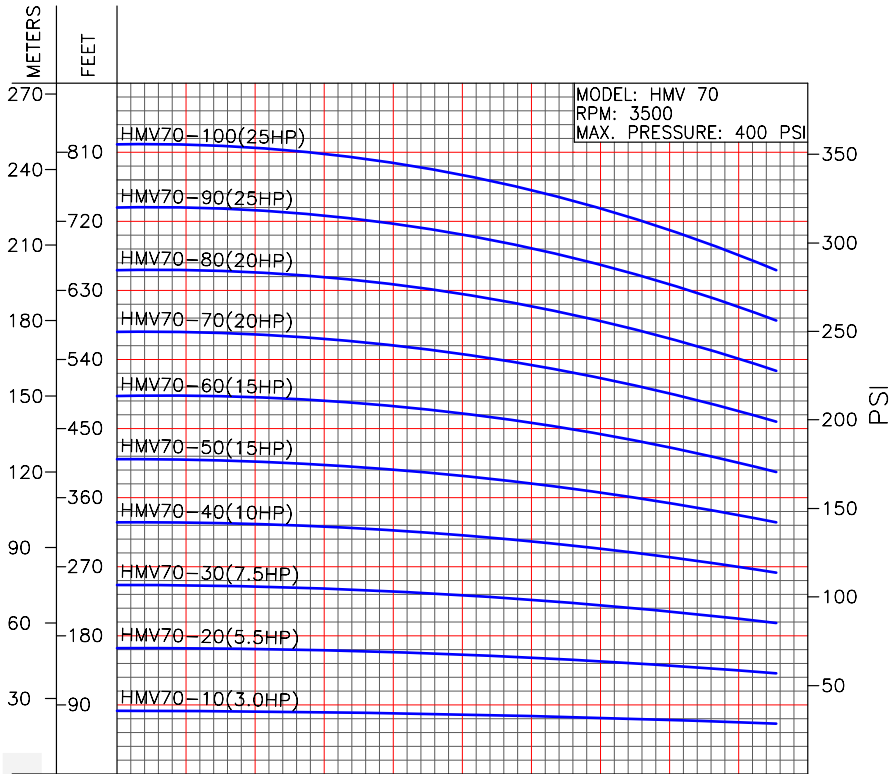
| MODEL | HP | STAGES | SIZE (in) | | | | WEIGHT (lb) | |
|---------------|-----|--------|-----------|----|-------|----|-------------|-----|
| | | | B1 | B2 | B1+B2 | D1 | | D2 |
| HMV22-30-153 | 1.5 | 3 | 12 | 11 | 24 | 7 | 6 | 71 |
| HMV22-40-203 | 2 | 4 | 14 | 14 | 28 | 7 | 6 | 77 |
| HMV22-60-303 | 3 | 6 | 16 | 14 | 30 | 7 | 6 | 86 |
| HMV22-90-403 | 4 | 9 | 20 | 16 | 36 | 8 | 6 | 104 |
| HMV22-110-553 | 5 | 11 | 22 | 16 | 38 | 9 | 7 | 123 |
| HMV22-150-753 | 7.5 | 15 | 27 | 18 | 45 | 10 | 8 | 148 |

PERFORMANCE CURVES & DIMENSIONS HMV45



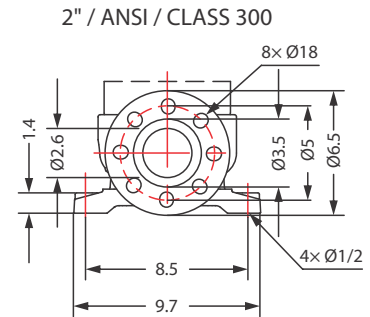
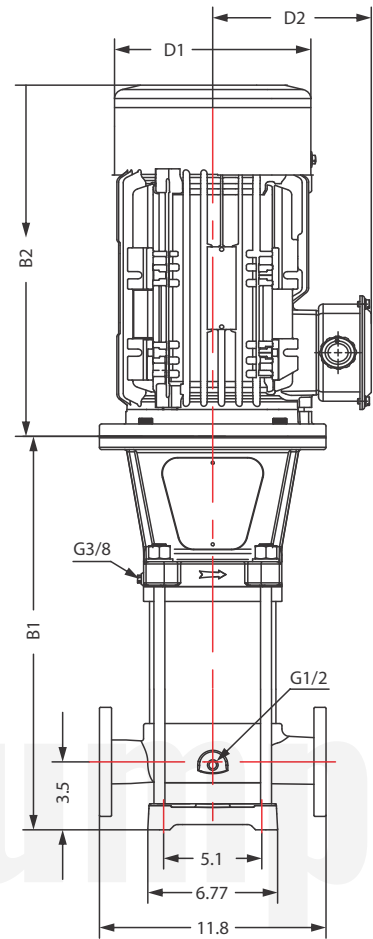
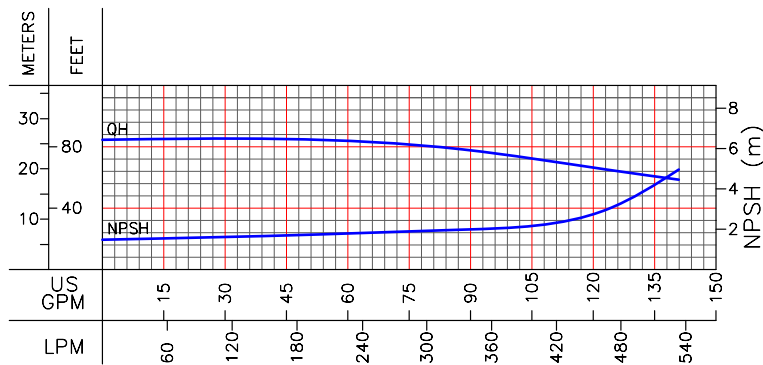
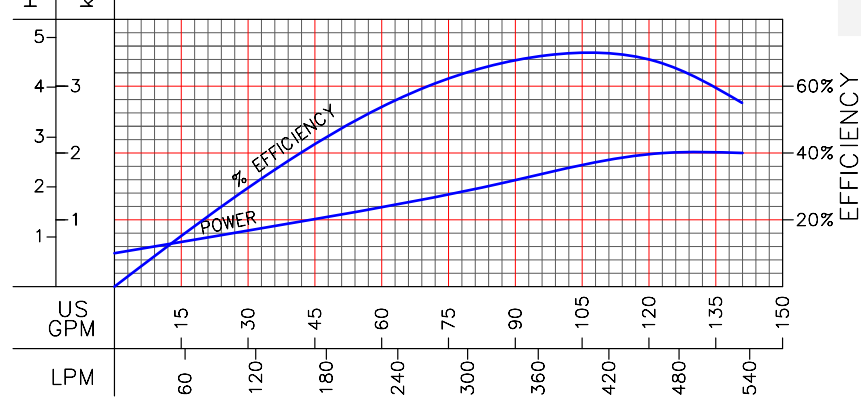
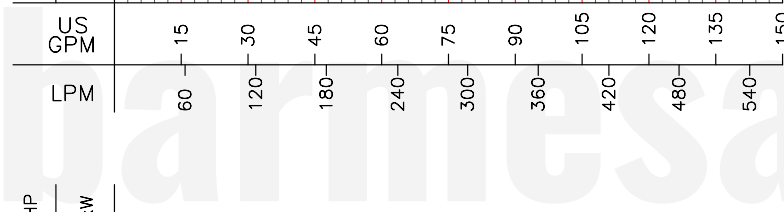
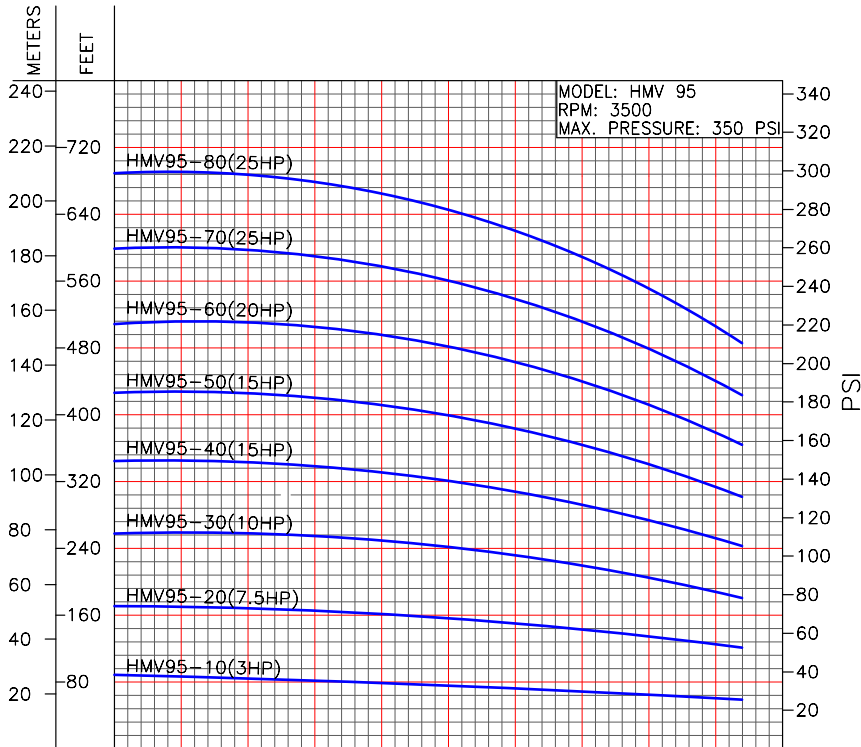
| MODEL | HP | STAGES | SIZE (in) | | | | WEIGHT (lb) | |
|----------------|-----|--------|-----------|----|-------|----|-------------|-----|
| | | | B1 | B2 | B1+B2 | D1 | | D2 |
| HMV45-20-303 | 3 | 2 | 14 | 14 | 28 | 7 | 6 | 93 |
| HMV45-30-403 | 4 | 3 | 16 | 16 | 32 | 8 | 6 | 106 |
| HMV45-40-553 | 5 | 4 | 17 | 16 | 33 | 9 | 7 | 128 |
| HMV45-50-753 | 7.5 | 5 | 19 | 18 | 37 | 10 | 8 | 154 |
| HMV45-60-753 | 7.5 | 6 | 20 | 18 | 39 | 10 | 8 | 157 |
| HMV45-70-1003 | 10 | 7 | 21 | 18 | 40 | 10 | 8 | 176 |
| HMV45-80-1003 | 10 | 8 | 23 | 18 | 41 | 10 | 8 | 179 |
| HMV45-90-1503 | 15 | 9 | 27 | 24 | 51 | 14 | 10 | 335 |
| HMV45-100-1503 | 15 | 10 | 28 | 24 | 52 | 14 | 10 | 335 |
| HMV45-110-1503 | 15 | 11 | 30 | 24 | 54 | 14 | 10 | 337 |
| HMV45-120-1503 | 15 | 12 | 31 | 24 | 55 | 14 | 10 | 340 |
| HMV45-130-2003 | 20 | 13 | 32 | 24 | 56 | 14 | 10 | 379 |
| HMV45-140-2003 | 20 | 14 | 33 | 24 | 57 | 14 | 10 | 381 |
| HMV45-150-2003 | 20 | 15 | 34 | 24 | 58 | 14 | 10 | 384 |
| HMV45-160-2003 | 20 | 16 | 36 | 24 | 60 | 14 | 10 | 386 |

PERFORMANCE CURVES & DIMENSIONS HMV70



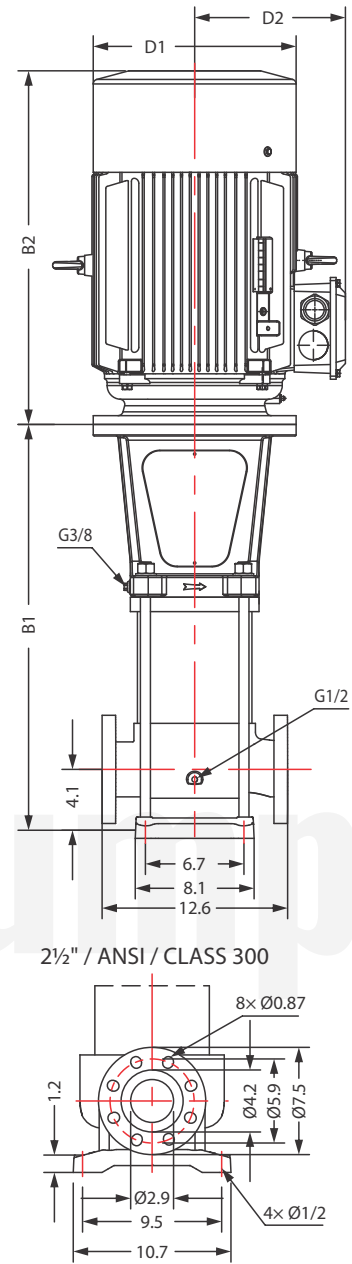
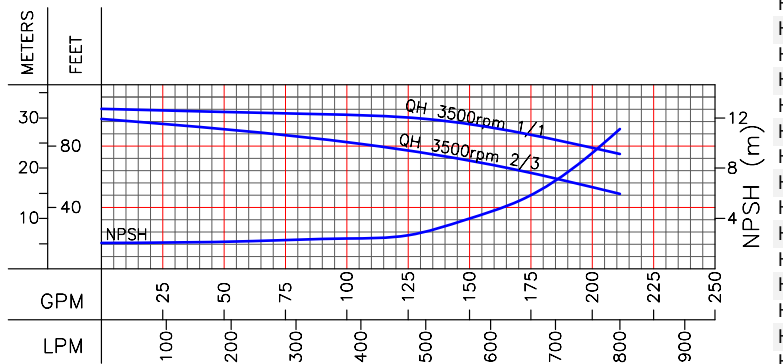
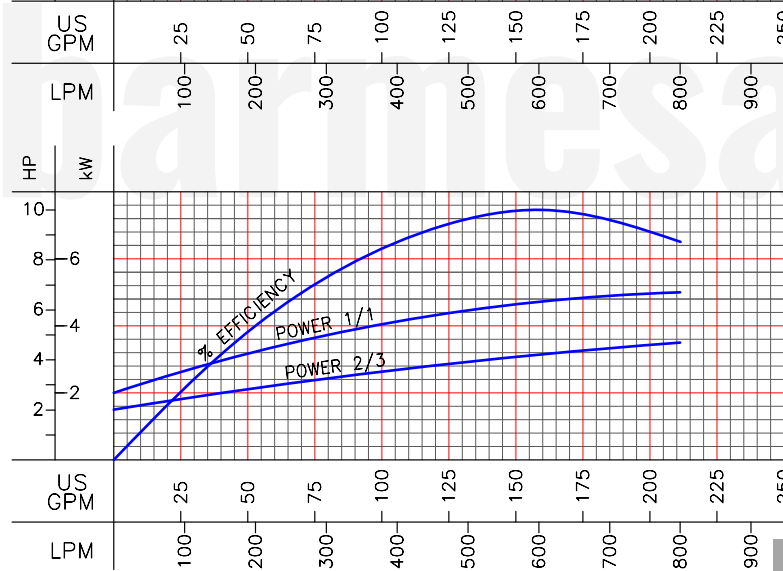
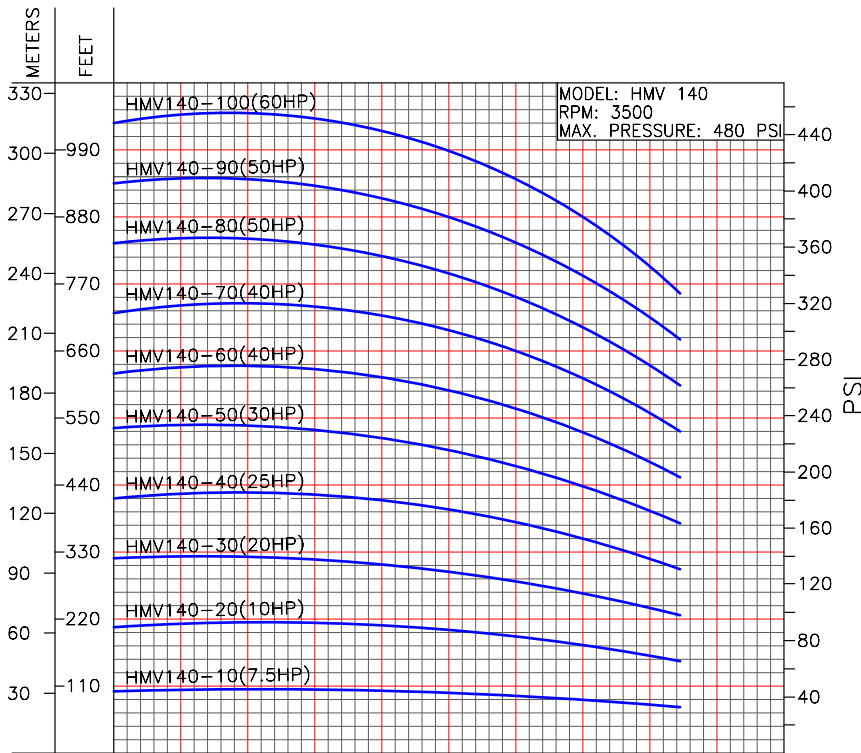
| MODEL | HP | STAGES | SIZE (in) | | | | WEIGHT (lb) | |
|----------------|-----|--------|-----------|----|-------|----|-------------|-----|
| | | | B1 | B2 | B1+B2 | D1 | | D2 |
| HMV70-10-303 | 3 | 1 | 14 | 14 | 28 | 7 | 6 | 68 |
| HMV70-20-553 | 5.5 | 2 | 16 | 16 | 32 | 9 | 7 | 106 |
| HMV70-30-753 | 7.5 | 3 | 19 | 18 | 37 | 10 | 8 | 159 |
| HMV70-40-1003 | 10 | 4 | 21 | 18 | 39 | 10 | 8 | 181 |
| HMV70-50-1503 | 15 | 5 | 26 | 24 | 50 | 14 | 10 | 331 |
| HMV70-60-1503 | 15 | 6 | 28 | 24 | 52 | 14 | 10 | 335 |
| HMV70-70-2003 | 20 | 7 | 29 | 24 | 53 | 14 | 10 | 364 |
| HMV70-80-2003 | 20 | 8 | 31 | 24 | 55 | 14 | 10 | 366 |
| HMV70-90-2503 | 25 | 9 | 33 | 25 | 58 | 14 | 10 | 403 |
| HMV70-100-2503 | 25 | 10 | 35 | 25 | 60 | 14 | 10 | 406 |

PERFORMANCE CURVES & DIMENSIONS HMV95



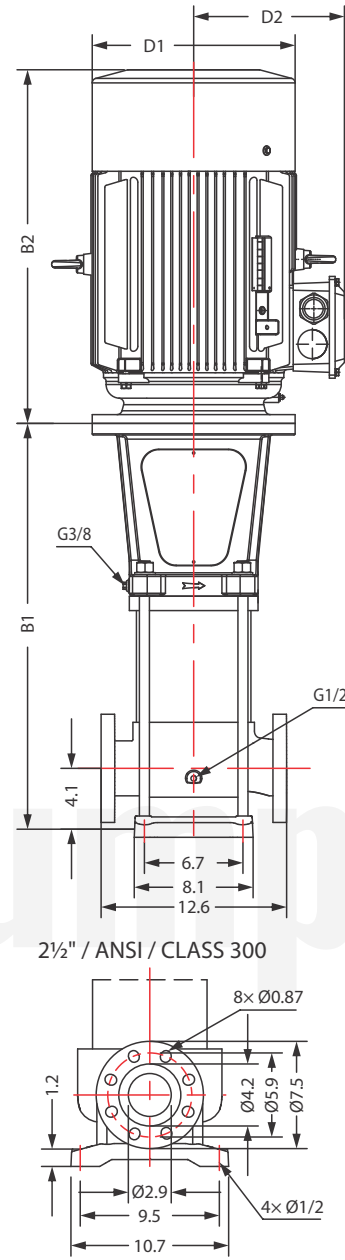
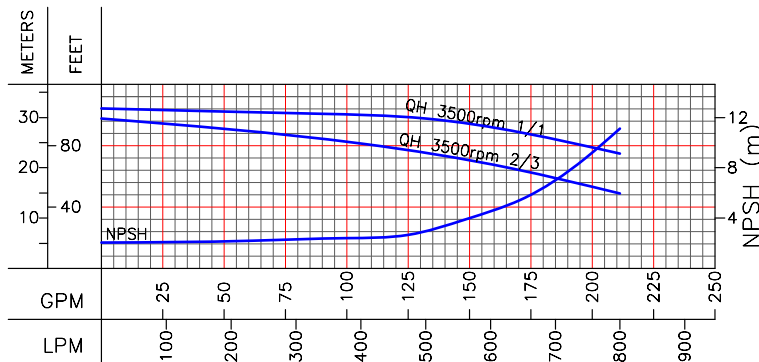
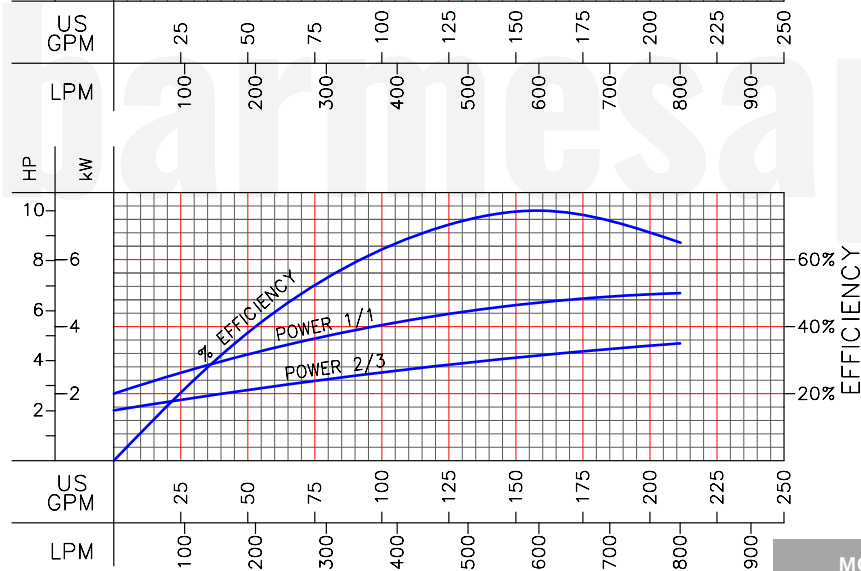
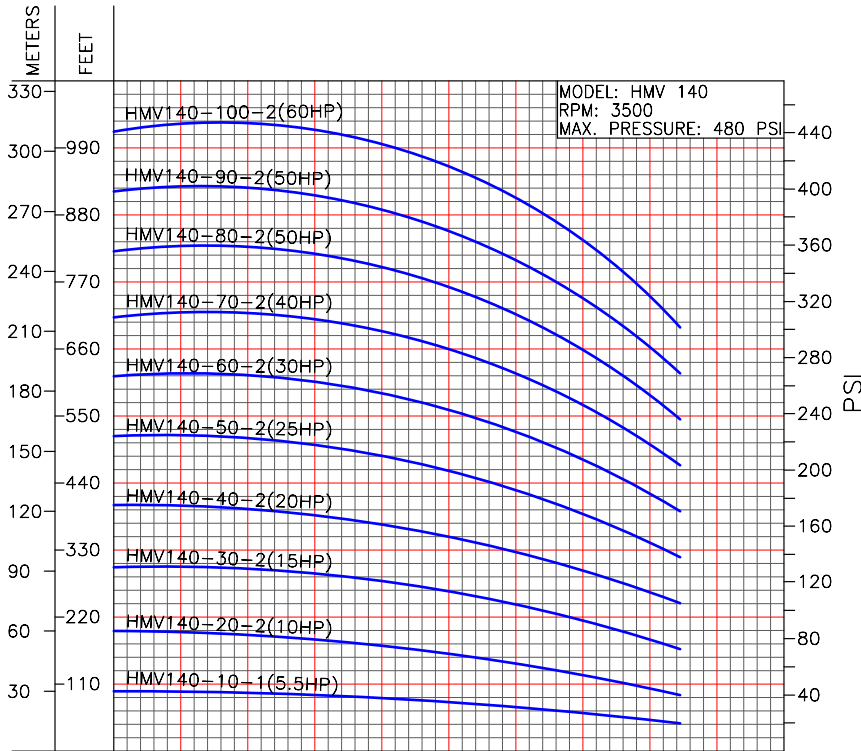
| MODEL | HP | STAGES | SIZE (in) | | | | WEIGHT (lb) | |
|---------------|-----|--------|-----------|----|-------|----|-------------|-----|
| | | | B1 | B2 | B1+B2 | D1 | | D2 |
| HMV95-10-303 | 3 | 1 | 14 | 14 | 28 | 7 | 6 | 82 |
| HMV95-20-753 | 7.5 | 2 | 17 | 18 | 35 | 10 | 8 | 154 |
| HMV95-30-1003 | 10 | 3 | 19 | 18 | 37 | 10 | 8 | 168 |
| HMV95-40-1503 | 15 | 4 | 24 | 24 | 48 | 14 | 10 | 320 |
| HMV95-50-1503 | 15 | 5 | 26 | 24 | 50 | 14 | 10 | 322 |
| HMV95-60-2003 | 20 | 6 | 28 | 24 | 52 | 14 | 10 | 324 |
| HMV95-70-2503 | 25 | 7 | 29 | 25 | 54 | 14 | 10 | 357 |
| HMV95-80-2503 | 25 | 8 | 31 | 25 | 56 | 14 | 10 | 362 |

PERFORMANCE CURVES & DIMENSIONS HMV140



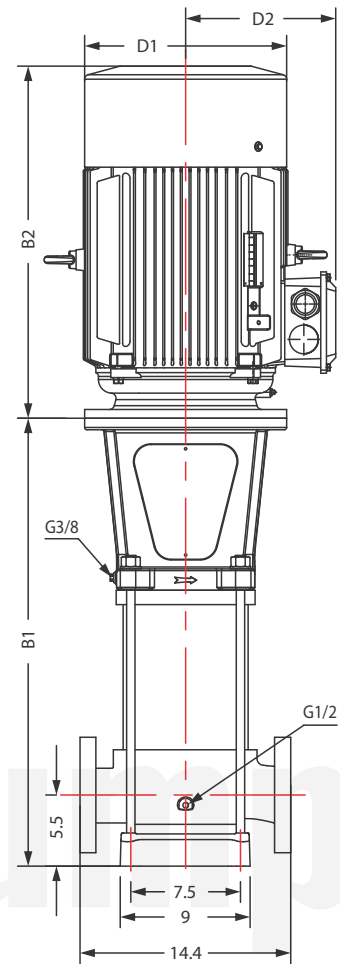
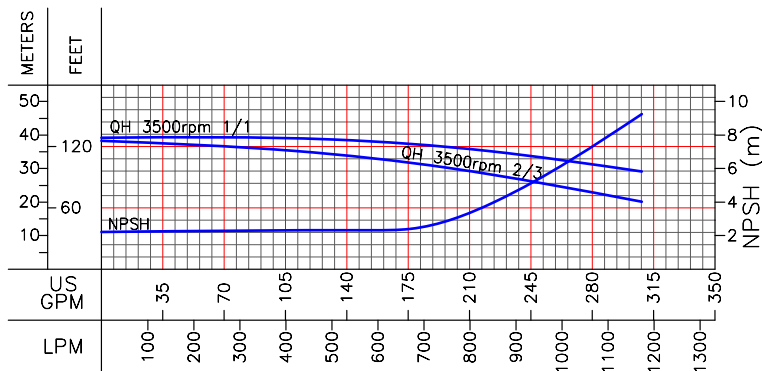
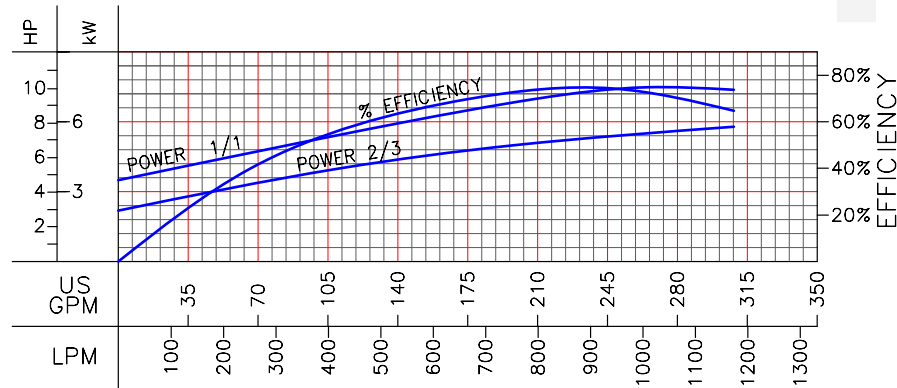
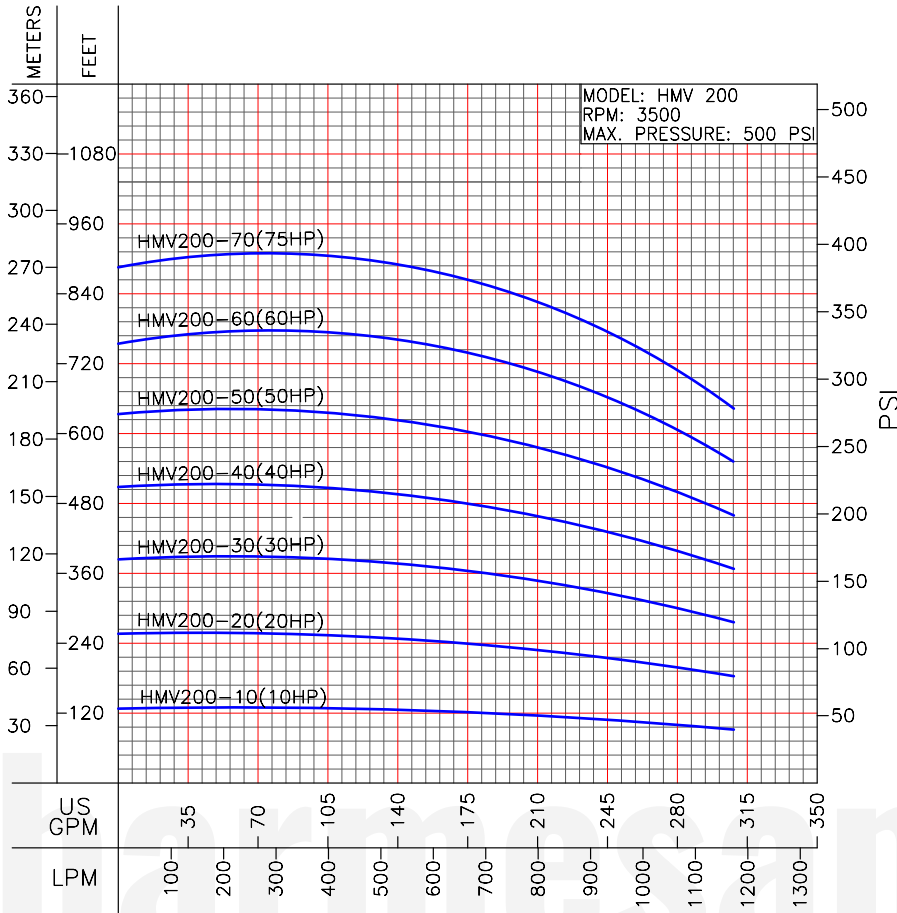
| MODEL | HP | STAGES | SIZE (in) | | | | | WEIGHT (lb) |
|-------------------|-----|--------|-----------|----|-------|----|----|-------------|
| | | | B1 | B2 | B1+B2 | D1 | D2 | |
| HMV140-10-1-553 | 5 | 1 | 18 | 16 | 34 | 9 | 7 | 176 |
| HMV140-10-753 | 7.5 | 1 | 18 | 18 | 37 | 10 | 8 | 229 |
| HMV140-20-2-1003 | 10 | 2 | 21 | 18 | 39 | 10 | 8 | 251 |
| HMV140-20-1003 | 10 | 2 | 21 | 18 | 39 | 10 | 8 | 251 |
| HMV140-30-2-1503 | 15 | 3 | 28 | 24 | 52 | 14 | 10 | 408 |
| HMV140-30-2003 | 20 | 3 | 28 | 24 | 52 | 14 | 10 | 437 |
| HMV140-40-2-2003 | 20 | 4 | 30 | 24 | 54 | 14 | 10 | 441 |
| HMV140-40-2503 | 25 | 4 | 30 | 25 | 56 | 14 | 10 | 476 |
| HMV140-50-2-2503 | 25 | 5 | 33 | 25 | 58 | 14 | 10 | 481 |
| HMV140-50-3003 | 30 | 5 | 33 | 25 | 58 | 14 | 11 | 492 |
| HMV140-60-2-3003 | 30 | 6 | 36 | 28 | 64 | 14 | 11 | 496 |
| HMV140-60-4003 | 40 | 6 | 36 | 28 | 64 | 16 | 12 | 518 |
| HMV140-70-2-4003 | 40 | 7 | 39 | 28 | 67 | 16 | 12 | 522 |
| HMV140-70-4003 | 40 | 7 | 39 | 28 | 67 | 16 | 12 | 522 |
| HMV140-80-5003 | 50 | 8 | 41 | 28 | 69 | 16 | 12 | 578 |
| HMV140-90-2-5003 | 50 | 9 | 44 | 28 | 72 | 16 | 12 | 582 |
| HMV140-90-5003 | 50 | 9 | 44 | 28 | 72 | 16 | 12 | 582 |
| HMV140-100-2-6003 | 60 | 10 | 47 | 29 | 76 | 18 | 13 | 743 |
| HMV140-100-6003 | 60 | 10 | 47 | 29 | 76 | 18 | 13 | 743 |

PERFORMANCE CURVES & DIMENSIONS HMV140-2

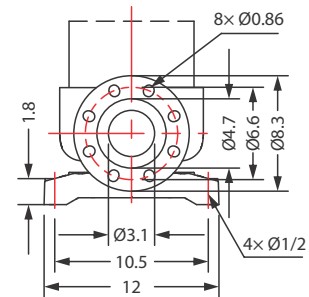


| MODEL | HP | STAGES | SIZE (in) | | | | WEIGHT (lb) | |
|-------------------|-----|--------|-----------|----|-------|----|-------------|-----|
| | | | B1 | B2 | B1+B2 | D1 | | D2 |
| HMV140-10-1-553 | 5 | 1 | 18 | 16 | 34 | 9 | 7 | 176 |
| HMV140-10-753 | 7.5 | 1 | 18 | 18 | 37 | 10 | 8 | 229 |
| HMV140-20-2-1003 | 10 | 2 | 21 | 18 | 39 | 10 | 8 | 251 |
| HMV140-20-1003 | 10 | 2 | 21 | 18 | 39 | 10 | 8 | 251 |
| HMV140-30-2-1503 | 15 | 3 | 28 | 24 | 52 | 14 | 10 | 408 |
| HMV140-30-2003 | 20 | 3 | 28 | 24 | 52 | 14 | 10 | 437 |
| HMV140-40-2-2003 | 20 | 4 | 30 | 24 | 54 | 14 | 10 | 441 |
| HMV140-40-2503 | 25 | 4 | 30 | 25 | 56 | 14 | 10 | 476 |
| HMV140-50-2-2503 | 25 | 5 | 33 | 25 | 58 | 14 | 10 | 481 |
| HMV140-50-3003 | 30 | 5 | 33 | 25 | 58 | 14 | 11 | 492 |
| HMV140-60-2-3003 | 30 | 6 | 36 | 28 | 64 | 14 | 11 | 496 |
| HMV140-60-4003 | 40 | 6 | 36 | 28 | 64 | 16 | 12 | 518 |
| HMV140-70-2-4003 | 40 | 7 | 39 | 28 | 67 | 16 | 12 | 522 |
| HMV140-70-4003 | 40 | 7 | 39 | 28 | 67 | 16 | 12 | 522 |
| HMV140-80-5003 | 50 | 8 | 41 | 28 | 69 | 16 | 12 | 578 |
| HMV140-90-2-5003 | 50 | 9 | 44 | 28 | 72 | 16 | 12 | 582 |
| HMV140-90-5003 | 50 | 9 | 44 | 28 | 72 | 16 | 12 | 582 |
| HMV140-100-2-6003 | 60 | 10 | 47 | 29 | 76 | 18 | 13 | 743 |
| HMV140-100-6003 | 60 | 10 | 47 | 29 | 76 | 18 | 13 | 743 |

PERFORMANCE CURVES & DIMENSIONS HMV200

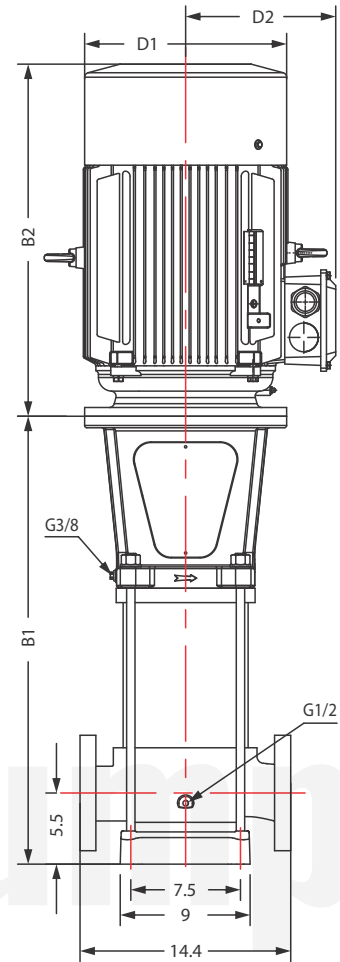
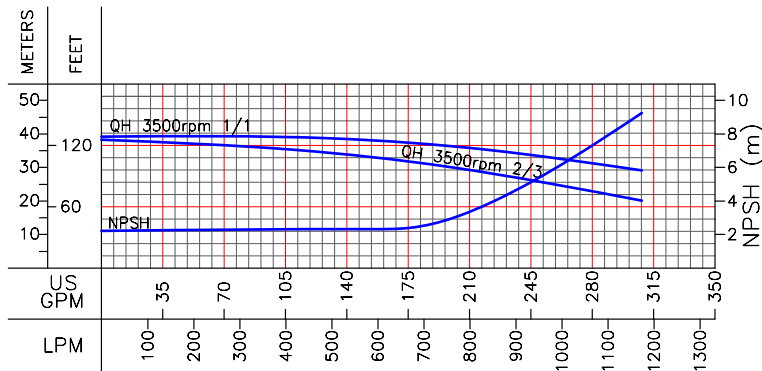
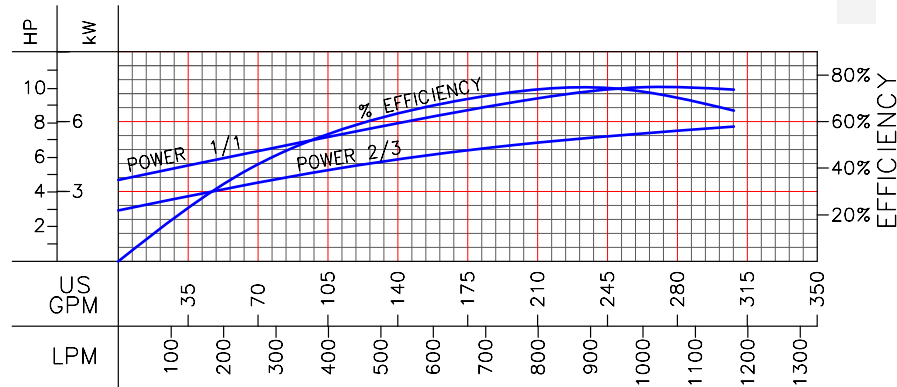
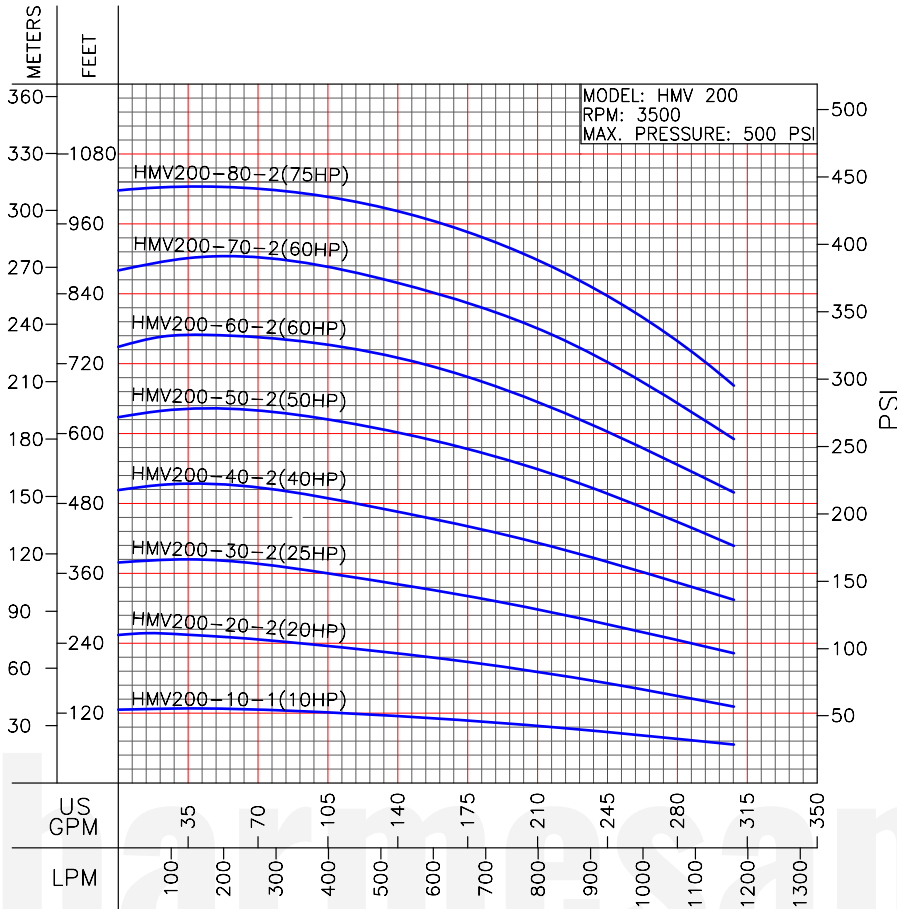


3" / ANSI / CLASS 300

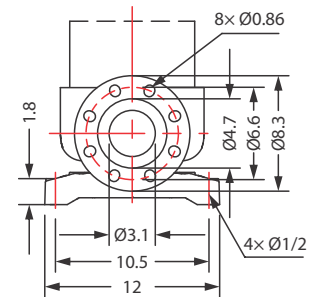


| MODEL | HP | STAGES | SIZE (in) | | | D1 | D2 | WEIGHT (lb) |
|------------------|----|--------|-----------|----|-------|----|----|-------------|
| | | | B1 | B2 | B1+B2 | | | |
| HMV200-10-1-1003 | 10 | 1 | 20 | 18 | 38 | 10 | 8 | 227 |
| HMV200-10-1-1003 | 10 | 1 | 20 | 18 | 38 | 10 | 8 | 249 |
| HMV200-20-2-2003 | 20 | 2 | 27 | 24 | 51 | 14 | 10 | 452 |
| HMV200-30-2-2503 | 25 | 3 | 31 | 25 | 56 | 14 | 10 | 496 |
| HMV200-30-3-3003 | 30 | 3 | 31 | 26 | 57 | 14 | 11 | 573 |
| HMV200-40-4-4003 | 40 | 4 | 34 | 28 | 62 | 16 | 12 | 694 |
| HMV200-50-5-5003 | 50 | 5 | 37 | 28 | 65 | 16 | 12 | 750 |
| HMV200-70-2-6003 | 60 | 7 | 43 | 29 | 72 | 18 | 13 | 915 |
| HMV200-80-2-7503 | 75 | 8 | 47 | 32 | 80 | 22 | 15 | 1091 |

PERFORMANCE CURVES & DIMENSIONS HMV200-2

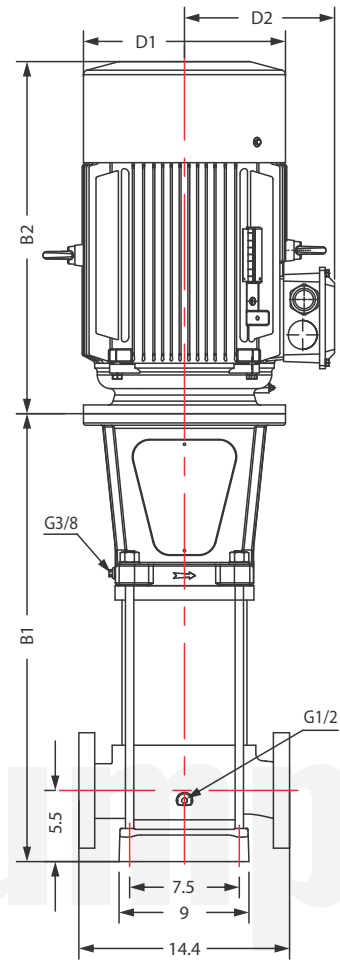
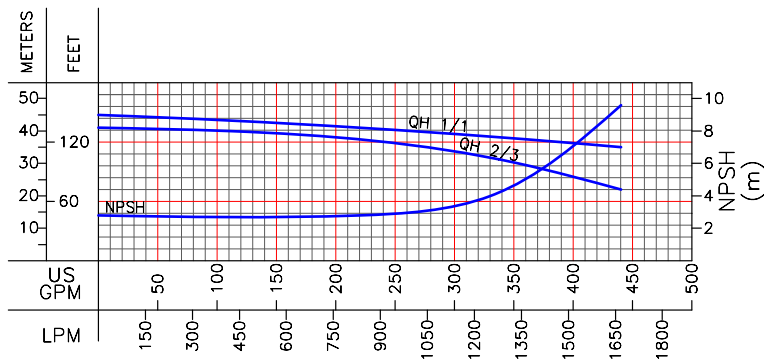
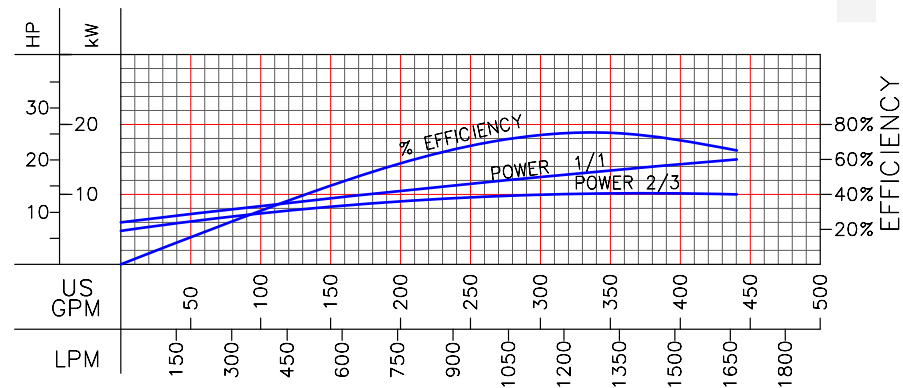
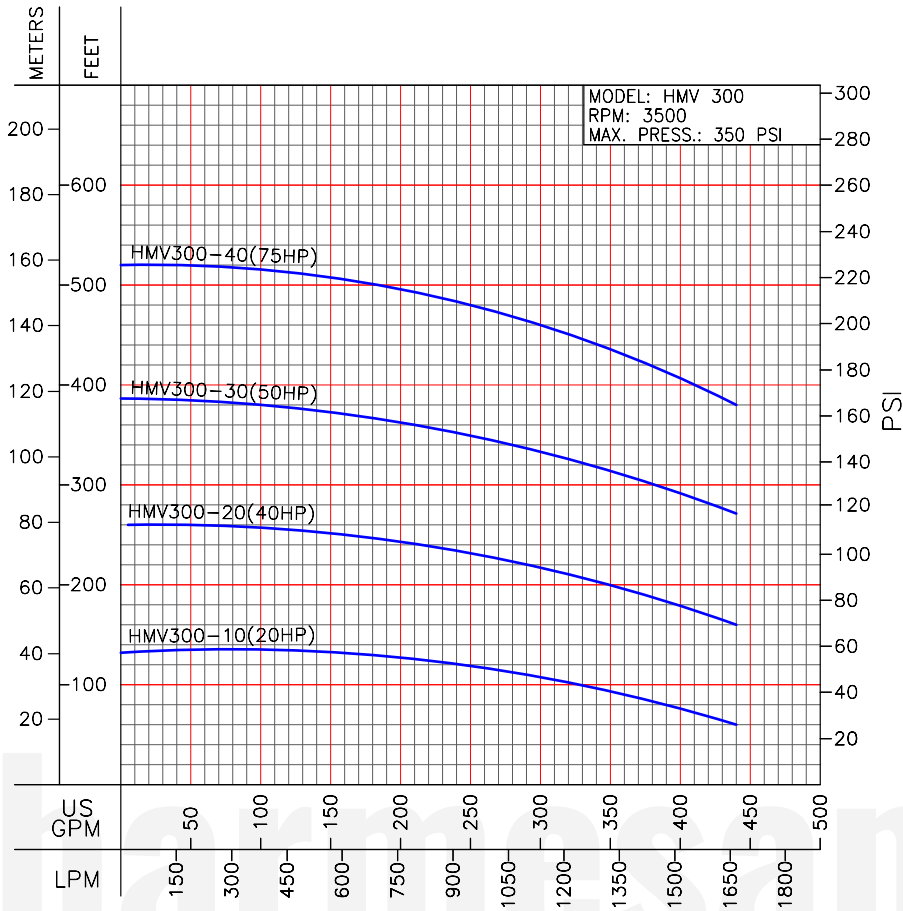


3" / ANSI / CLASS 300

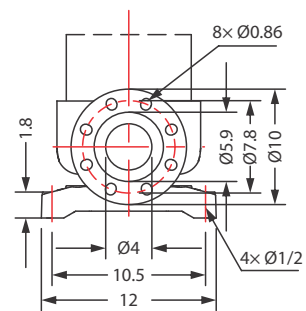


| MODEL | HP | STAGES | SIZE (in) | | | | WEIGHT (lb) | |
|------------------|----|--------|-----------|----|-------|----|-------------|------|
| | | | B1 | B2 | B1+B2 | D1 | | D2 |
| HMV200-10-1-1003 | 10 | 1 | 20 | 18 | 38 | 10 | 8 | 227 |
| HMV200-10-1-1003 | 10 | 1 | 20 | 18 | 38 | 10 | 8 | 249 |
| HMV200-20-2003 | 20 | 2 | 27 | 24 | 51 | 14 | 10 | 452 |
| HMV200-30-2-2503 | 25 | 3 | 31 | 25 | 56 | 14 | 10 | 496 |
| HMV200-30-3003 | 30 | 3 | 31 | 26 | 57 | 14 | 11 | 573 |
| HMV200-40-4003 | 40 | 4 | 34 | 28 | 62 | 16 | 12 | 694 |
| HMV200-50-5003 | 50 | 5 | 37 | 28 | 65 | 16 | 12 | 750 |
| HMV200-70-2-6003 | 60 | 7 | 43 | 29 | 72 | 18 | 13 | 915 |
| HMV200-80-2-7503 | 75 | 8 | 47 | 32 | 80 | 22 | 15 | 1091 |

PERFORMANCE CURVES & DIMENSIONS HMV300

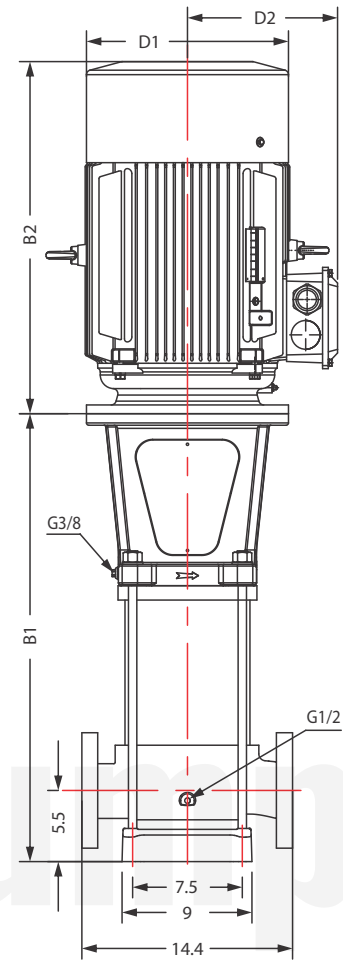
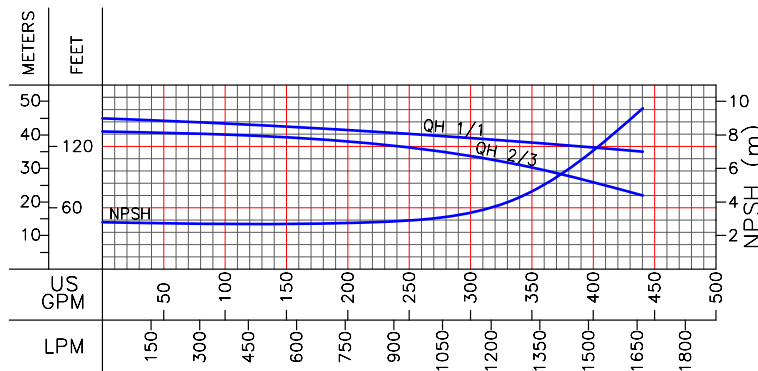
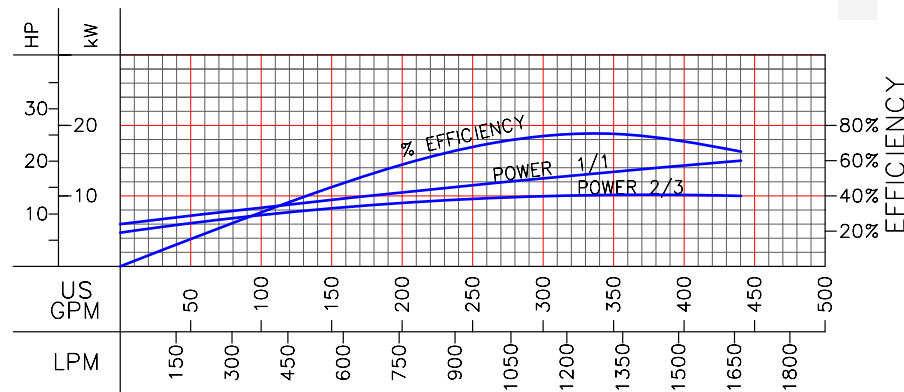
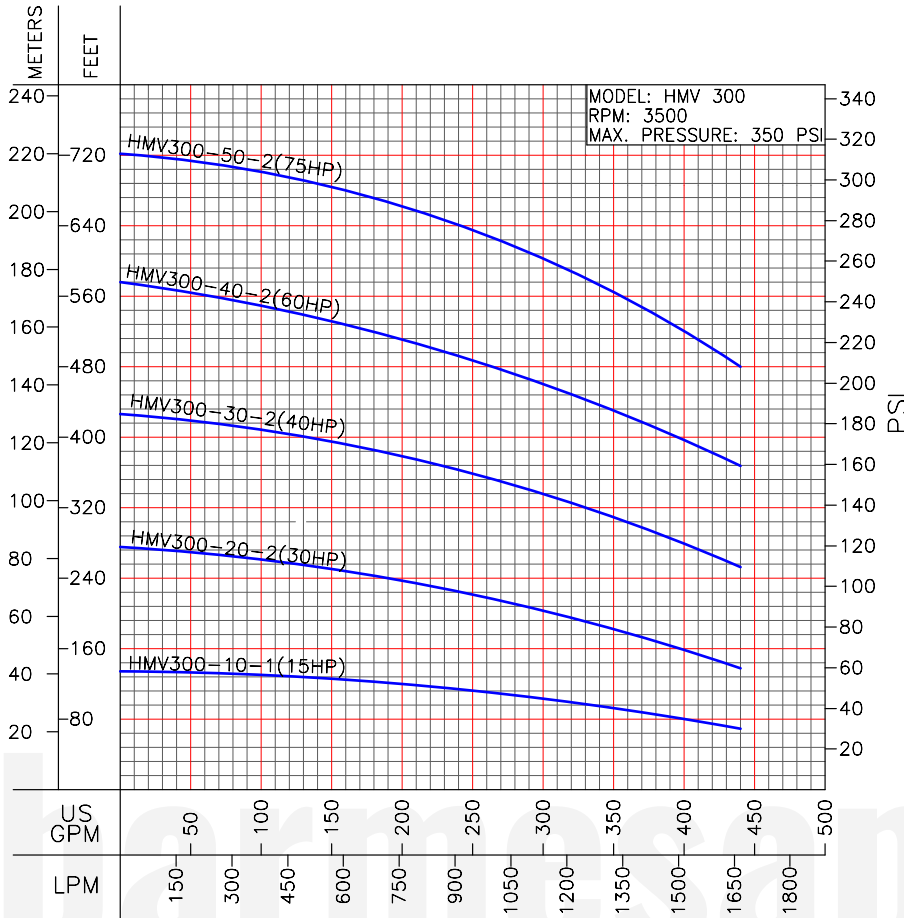


4" / ANSI / CLASS 300

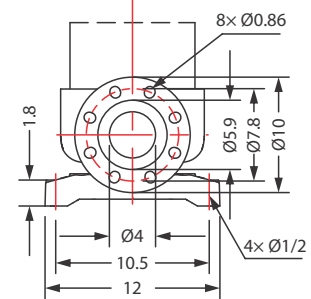


| MODEL | HP | STAGES | SIZE (in) | | | D1 | D2 | WEIGHT (lb) |
|------------------|----|--------|-----------|----|-------|----|----|-------------|
| | | | B1 | B2 | B1+B2 | | | |
| HMV300-10-1-1503 | 15 | 1 | 24 | 24 | 48 | 14 | 10 | 399 |
| HMV300-10-2-2003 | 20 | 1 | 24 | 24 | 48 | 14 | 10 | 399 |
| HMV300-20-2-3003 | 30 | 2 | 28 | 26 | 54 | 14 | 11 | 573 |
| HMV300-20-4-4003 | 40 | 2 | 28 | 28 | 56 | 16 | 12 | 701 |
| HMV300-30-2-4003 | 40 | 3 | 31 | 3 | 34 | 16 | 12 | 705 |
| HMV300-30-5-5003 | 50 | 3 | 31 | 28 | 59 | 16 | 12 | 772 |
| HMV300-40-2-6003 | 60 | 4 | 34 | 29 | 63 | 18 | 13 | 926 |
| HMV300-40-7-7503 | 75 | 4 | 35 | 32 | 68 | 22 | 15 | 1124 |
| HMV300-50-2-7503 | 75 | 5 | 39 | 32 | 71 | 22 | 15 | 1129 |

PERFORMANCE CURVES & DIMENSIONS HMV300-2



4" / ANSI / CLASS 300



| MODEL | HP | STAGES | SIZE (in) | | | D1 | D2 | WEIGHT (lb) |
|------------------|----|--------|-----------|----|-------|----|----|-------------|
| | | | B1 | B2 | B1+B2 | | | |
| HMV300-10-1-1503 | 15 | 1 | 24 | 24 | 48 | 14 | 10 | 399 |
| HMV300-10-2003 | 20 | 1 | 24 | 24 | 48 | 14 | 10 | 399 |
| HMV300-20-2-3003 | 30 | 2 | 28 | 26 | 54 | 14 | 11 | 573 |
| HMV300-20-4003 | 40 | 2 | 28 | 28 | 56 | 16 | 12 | 701 |
| HMV300-30-2-4003 | 40 | 3 | 31 | 3 | 34 | 16 | 12 | 705 |
| HMV300-30-5003 | 50 | 3 | 31 | 28 | 59 | 16 | 12 | 772 |
| HMV300-40-2-6003 | 60 | 4 | 34 | 29 | 63 | 18 | 13 | 926 |
| HMV300-40-7503 | 75 | 4 | 35 | 32 | 68 | 22 | 15 | 1124 |
| HMV300-50-2-7503 | 75 | 5 | 39 | 32 | 71 | 22 | 15 | 1129 |

| TECHNICAL DATA | | | | | | | | |
|----------------|-----------|-----|------|---------|-----------|-----------------|--------------|-------------|
| MODEL | PART No. | HP | RPM | V | MAX. AMPS | MAX. TEMP. (°F) | MAX. Q (gpm) | MAX. H (ft) |
| HMV5-60-103 | 70120101A | 1 | 3500 | 230/460 | 2.9/1.5 | 248 | 8.5 | 245 |
| HMV5-80-153 | 70120101B | 1.5 | 3500 | 230/460 | 4.2/2.1 | 248 | 8.5 | 328 |
| HMV5-100-203 | 70120101H | 2 | 3500 | 230/460 | 5.5/2.7 | 248 | 8.5 | 410 |
| HMV5-110-203 | 70120101C | 2 | 3500 | 230/460 | 5.5/2.7 | 248 | 8.5 | 450 |
| HMV5-130-303 | 70120101J | 3 | 3500 | 230/460 | 7.9/3.9 | 248 | 8.5 | 530 |
| HMV5-140-303 | 70120101L | 3 | 3500 | 230/460 | 7.9/3.9 | 248 | 8.5 | 574 |
| HMV5-160-303 | 70120101D | 3 | 3500 | 230/460 | 7.9/3.9 | 248 | 8.5 | 656 |
| HMV5-170-403 | 70120101N | 4 | 3500 | 230/460 | 10.3/5.1 | 248 | 8.5 | 695 |
| HMV5-190-403 | 70120101P | 4 | 3500 | 230/460 | 10.3/5.1 | 248 | 8.5 | 777 |
| HMV5-210-403 | 70120101R | 4 | 3500 | 230/460 | 10.3/5.1 | 248 | 8.5 | 860 |
| HMV5-230-403 | 70120101E | 4 | 3500 | 230/460 | 10.3/5.1 | 248 | 8.5 | 940 |
| HMV14-30-103 | 70120103A | 1 | 3500 | 230/460 | 2.9/1.5 | 248 | 20 | 130 |
| HMV14-50-153 | 70120103B | 1.5 | 3500 | 230/460 | 4.2/2.1 | 248 | 20 | 203 |
| HMV14-70-203 | 70120103C | 2 | 3500 | 230/460 | 5.5/2.7 | 248 | 20 | 295 |
| HMV14-90-303 | 70120103L | 3 | 3500 | 230/460 | 7.9/3.9 | 248 | 20 | 367 |
| HMV14-110-303 | 70120103D | 3 | 3500 | 230/460 | 7.9/3.9 | 248 | 20 | 459 |
| HMV14-130-403 | - | 4 | 3500 | 230/460 | 7.9/3.9 | 248 | 20 | 541 |
| HMV14-150-403 | 70120103E | 4 | 3500 | 230/460 | 10.3/5.1 | 248 | 20 | 623 |
| HMV14-170-553 | 70120103P | 5.5 | 3500 | 230/460 | 13.5/6.7 | 248 | 20 | 714 |
| HMV14-190-553 | 70120103F | 5.5 | 3500 | 230/460 | 13.5/6.7 | 248 | 20 | 794 |
| HMV22-30-153 | 70120105A | 1.5 | 3500 | 230/460 | 4.2/2.1 | 248 | 35 | 130 |
| HMV22-40-203 | 70120105B | 2 | 3500 | 230/460 | 5.5/2.7 | 248 | 35 | 170 |
| HMV22-60-303 | 70120105C | 3 | 3500 | 230/460 | 7.9/3.9 | 248 | 35 | 262 |
| HMV22-90-403 | 70120105D | 4 | 3500 | 230/460 | 10.3/5.1 | 248 | 35 | 390 |
| HMV22-110-553 | 70120105E | 5.5 | 3500 | 230/460 | 13.5/6.7 | 248 | 35 | 478 |
| HMV22-150-753 | 70120105F | 7.5 | 3500 | 230/460 | 18.3/9.1 | 248 | 35 | 640 |
| HMV45-20-303 | 70120107A | 3 | 3500 | 230/460 | 7.9/3.9 | 248 | 65 | 137 |
| HMV45-30-403 | 70120107B | 4 | 3500 | 230/460 | 10.3/5.1 | 248 | 65 | 203 |
| HMV45-40-553 | 70120107C | 5.5 | 3500 | 230/460 | 13.5/6.7 | 248 | 65 | 262 |
| HMV45-50-753 | 70120107H | 7.5 | 3500 | 230/460 | 18.3/9.1 | 248 | 65 | 334 |
| HMV45-60-753 | 70120107D | 7.5 | 3500 | 230/460 | 18.3/9.1 | 248 | 65 | 407 |
| HMV45-70-1003 | 70120107J | 10 | 3500 | 230/460 | 24.7/12.3 | 248 | 65 | 460 |
| HMV45-80-1003 | 70120107E | 10 | 3500 | 230/460 | 24.7/12.3 | 248 | 65 | 530 |
| HMV45-90-1503 | 70120107L | 15 | 3500 | 230/460 | 34/17 | 248 | 65 | 592 |
| HMV45-100-1503 | 70120107N | 15 | 3500 | 230/460 | 34/17 | 248 | 65 | 662 |
| HMV45-110-1503 | 70120107P | 15 | 3500 | 230/460 | 34/17 | 248 | 65 | 728 |
| HMV45-120-1503 | 70120107F | 15 | 3500 | 230/460 | 34/17 | 248 | 65 | 787 |
| HMV45-130-2003 | 70120107R | 20 | 3500 | 230/460 | 46/23 | 248 | 65 | 859 |
| HMV45-140-2003 | 70120107T | 20 | 3500 | 230/460 | 46/23 | 248 | 65 | 921 |
| HMV45-150-2003 | 70120107V | 20 | 3500 | 230/460 | 46/23 | 248 | 65 | 996 |
| HMV45-160-2003 | 70120107G | 20 | 3500 | 230/460 | 46/23 | 248 | 65 | 1055 |
| HMV70-10-303 | 70120109A | 3 | 3500 | 230/460 | 7.9/3.9 | 248 | 102 | 82 |
| HMV70-20-553 | 70120109B | 5.5 | 3500 | 230/460 | 13.5/6.7 | 248 | 102 | 164 |
| HMV70-30-753 | 70120109C | 7.5 | 3500 | 230/460 | 18.3/9.1 | 248 | 102 | 246 |
| HMV70-40-1003 | 70120109D | 10 | 3500 | 230/460 | 24.7/12.3 | 248 | 102 | 327 |
| HMV70-50-1503 | 70120109L | 15 | 3500 | 230/460 | 34/17 | 248 | 102 | 409 |
| HMV70-60-1503 | 70120109E | 15 | 3500 | 230/460 | 34/17 | 248 | 102 | 492 |
| HMV70-70-2003 | 70120109N | 20 | 3500 | 230/460 | 46/23 | 248 | 102 | 573 |

| TECHNICAL DATA | | | | | | | | |
|-------------------|------------|-----|------|---------|-----------|-----------------|--------------|-------------|
| MODEL | PART No. | HP | RPM | V | MAX. AMPS | MAX. TEMP. (°F) | MAX. Q (gpm) | MAX. H (ft) |
| HMV70-80-2003 | 70120109F | 20 | 3500 | 230/460 | 46/23 | 248 | 102 | 656 |
| HMV70-90-2503 | 70120109P | 25 | 3500 | 230/460 | 56.5/28.2 | 248 | 102 | 738 |
| HMV70-100-2503 | 70120109G | 25 | 3500 | 230/460 | 56.5/28.2 | 248 | 102 | 820 |
| HMV95-10-303 | 70120111A | 3 | 3500 | 230/460 | 7.9/3.9 | 248 | 140 | 82 |
| HMV95-20-753 | 70120111B | 7.5 | 3500 | 230/460 | 18.3/9.1 | 248 | 140 | 180 |
| HMV95-30-1003 | 70120111C | 10 | 3500 | 230/460 | 24.7/12.3 | 248 | 140 | 255 |
| HMV95-40-1503 | 70120111L | 15 | 3500 | 230/460 | 34/17 | 248 | 140 | 340 |
| HMV95-50-1503 | 70120111D | 15 | 3500 | 230/460 | 34/17 | 248 | 140 | 426 |
| HMV95-60-2003 | 70120111E | 20 | 3500 | 230/460 | 46/23 | 248 | 140 | 508 |
| HMV95-70-2503 | 70120111N | 25 | 3500 | 230/460 | 56.5/28.2 | 248 | 140 | 593 |
| HMV95-80-2503 | 70120111F | 25 | 3500 | 230/460 | 56.5/28.2 | 248 | 140 | 681 |
| HMV140-10-1-553 | 70120113A | 5.5 | 3500 | 230/460 | 13.5/6.7 | 248 | 200 | 95 |
| HMV140-10-753 | 70120113B | 7.5 | 3500 | 230/460 | 18.3/9.1 | 248 | 200 | 101 |
| HMV140-20-2-1003 | 70120113N | 10 | 3500 | 230/460 | 24.7/12.3 | 248 | 200 | 197 |
| HMV140-20-1003 | 70120113C | 10 | 3500 | 230/460 | 24.7/12.3 | 248 | 200 | 213 |
| HMV140-30-2-1503 | 70120113D | 15 | 3500 | 230/460 | 34/17 | 248 | 200 | 295 |
| HMV140-30-2003 | 70120113P | 20 | 3500 | 230/460 | 46/23 | 248 | 200 | 327 |
| HMV140-40-2-2003 | 70120113E | 20 | 3500 | 230/460 | 46/23 | 248 | 200 | 400 |
| HMV140-40-2503 | 70120113R | 25 | 3500 | 230/460 | 56.5/28.2 | 248 | 200 | 429 |
| HMV140-50-2-2503 | 70120113F | 25 | 3500 | 230/460 | 56.5/28.2 | 248 | 200 | 508 |
| HMV140-50-3003 | 70120113T | 30 | 3500 | 230/460 | 66.9/33.5 | 248 | 200 | 524 |
| HMV140-60-2-3003 | 70120113G | 30 | 3500 | 230/460 | 66.9/33.5 | 248 | 200 | 606 |
| HMV140-60-4003 | 70120113V | 40 | 3500 | 230/460 | 90.7/45.4 | 248 | 200 | 629 |
| HMV140-70-2-4003 | 70120113X | 40 | 3500 | 230/460 | 90.7/45.4 | 248 | 200 | 704 |
| HMV140-70-4003 | 70120113H | 40 | 3500 | 230/460 | 90.7/45.4 | 248 | 200 | 731 |
| HMV140-80-5003 | 70120113Z | 50 | 3500 | 230/460 | 111/55.7 | 248 | 200 | 806 |
| HMV140-90-2-5003 | 70120113I | 50 | 3500 | 230/460 | 111/55.7 | 248 | 200 | 895 |
| HMV140-90-5003 | 70120113Z2 | 50 | 3500 | 230/460 | 111/55.7 | 248 | 200 | 921 |
| HMV140-100-2-6003 | 70120113Z4 | 60 | 3500 | 230/460 | 134/66.8 | 248 | 200 | 1016 |
| HMV140-100-6003 | 70120113J | 60 | 3500 | 230/460 | 134/66.8 | 248 | 200 | 1032 |
| HMV200-10-1-1003 | 70120115A | 10 | 3500 | 230/460 | 18.3/9.1 | 248 | 292 | 124 |
| HMV200-10-1003 | 70120115B | 10 | 3500 | 230/460 | 24.7/12.3 | 248 | 292 | 131 |
| HMV200-20-2003 | 70120115C | 20 | 3500 | 230/460 | 46/23 | 248 | 292 | 255 |
| HMV200-30-2-2503 | 70120115D | 25 | 3500 | 230/460 | 56.5/28.2 | 248 | 292 | 387 |
| HMV200-30-3003 | 70120115E | 30 | 3500 | 230/460 | 66.9/33.5 | 248 | 292 | 390 |
| HMV200-40-4003 | 70120115F | 40 | 3500 | 230/460 | 90.7/45.4 | 248 | 292 | 511 |
| HMV200-50-5003 | 70120115G | 50 | 3500 | 230/460 | 111/55.7 | 248 | 292 | 508 |
| HMV200-70-2-6003 | 70120115H | 60 | 3500 | 230/460 | 134/66.8 | 248 | 292 | 878 |
| HMV200-80-2-7503 | 70120115I | 75 | 3500 | 230/460 | 163/81.3 | 248 | 292 | 1009 |
| HMV300-10-1-1503 | 70120117A | 15 | 3500 | 230/460 | 34/17 | 248 | 410 | 131 |
| HMV300-10-2003 | 70120117B | 20 | 3500 | 230/460 | 46/23 | 248 | 410 | 157 |
| HMV300-20-2-3003 | 70120117C | 30 | 3500 | 230/460 | 66.9/33.5 | 248 | 410 | 265 |
| HMV300-20-4003 | 70120117H | 40 | 3500 | 230/460 | 90.7/45.4 | 248 | 410 | 298 |
| HMV300-30-2-4003 | 70120117D | 40 | 3500 | 230/460 | 90.7/45.4 | 248 | 410 | 409 |
| HMV300-30-5003 | 70120117E | 50 | 3500 | 230/460 | 111/55.7 | 248 | 410 | 454 |
| HMV300-40-2-6003 | 70120117F | 60 | 3500 | 230/460 | 134/66.8 | 248 | 410 | 573 |
| HMV300-40-7503 | 70120117J | 75 | 3500 | 230/460 | 163/81.3 | 248 | 410 | 605 |
| HMV300-50-2-7503 | 70120117G | 75 | 3500 | 230/460 | 163/81.3 | 248 | 410 | 720 |

Barmesa Pumps USA
844-BARMESA (227-6372)

Sales Office

Marion Ave. Mansfield, OH 44903 USA
419-566-3318

Warehouse

103 Flecha Lane Laredo, TX 78045 USA
956-608-3119

© Barmesa Pumps LLC. All rights reserved.

Product details shown here are subject to change without notice.