

# SUBMERSIBLE SEWAGE PUMP W/ CUTTER PLATE

Series: **Roto-Blade**  
(CUT303 & CUT304)  
3 HP / 1750 RPM  
Discharge: 4"



## DISCHARGE

4", 125 lb, flange horizontal.

## LIQUID TEMPERATURE

104 °F (40 °C) continuous

## VOLUTE

Cast iron ASTM A-48 class 30

## MOTOR HOUSING

Cast iron ASTM A-48 class 30

## IMPELLER

Cast iron ASTM A-48 class 30. Unique tungsten carbide tipped impeller and high chrome serrated cutter plate for slicing of solids.

## SUCTION PLATE

Ductile iron ASTM A536

## SHAFT

AISI 410 series stainless steel

## HARDWARE

Stainless steel

## O-RINGS

Buna-N

## PAINT

Air dry enamel, water based.

## SEAL

**Design:** double mechanical, oil lubricated.

**Material:** silicon carbide outboard, carbon ceramic inboard seal, with stainless steel hardware.

## CORD ENTRY

40 ft of neoprene cord STOW, UL, 14 AWG x 4C, sealed against moisture.

## BEARINGS

Ball, single row and oil lubricated.

## MOTOR

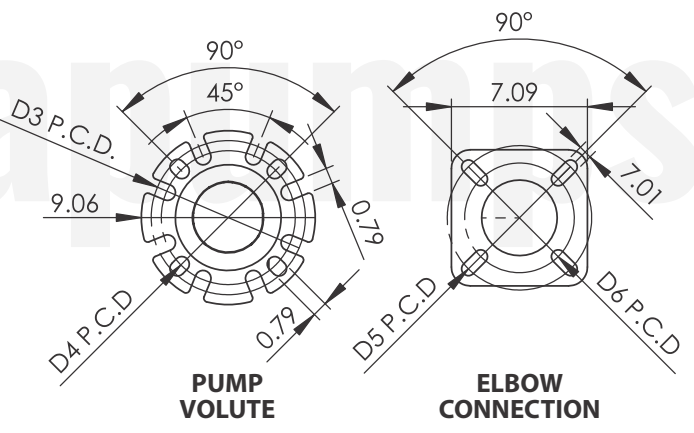
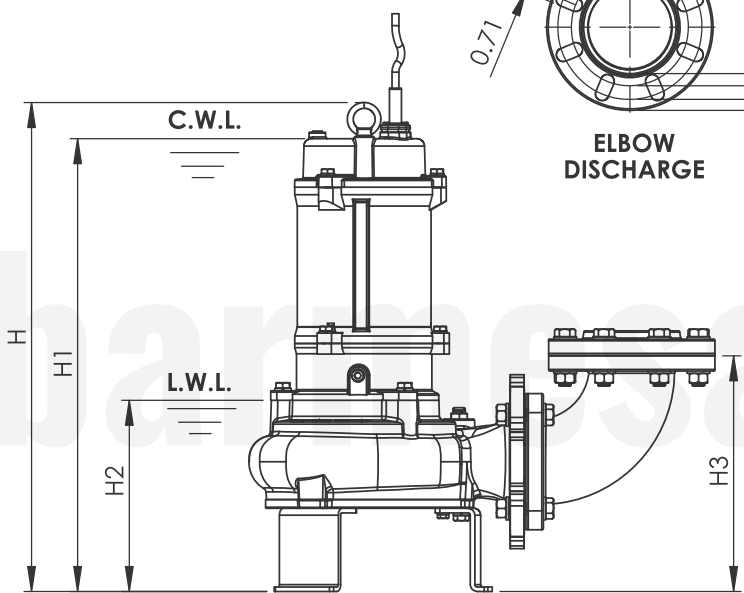
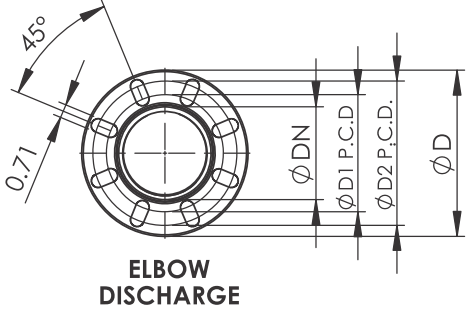
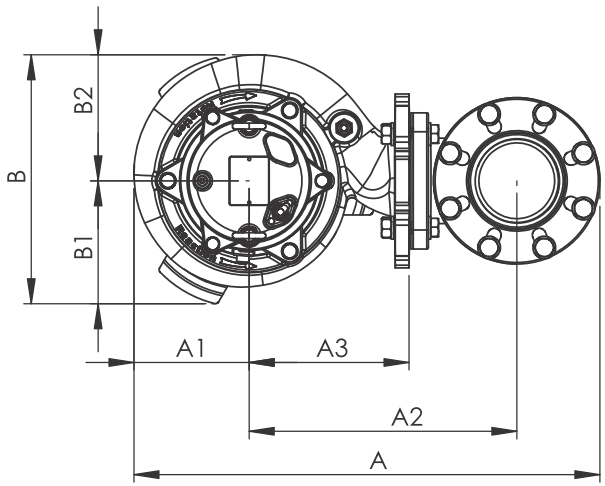
Three phase, 230 & 460 V, 1750 RPM, 60 Hz. Air-filled watertight, built-in overload, IP 68 protection and class B insulation.

## ACCESSORIES

Includes discharge elbow

## OPTIONAL EQUIPMENT

Slide rail coupling (QDC-4)



C.W.L.: Continuous Running Water Level  
 L.W.L.: Lowest Running Water Level  
 (Most effective motor heat dissipation when fully submerged)

PIPE CONNECTION TYPE	
PT	NPT

A	A1	A2	A3	B	B1	B2	DN	D	D1
27.8	7.7	15.8	10.2	16.1	8.1	8.1	4	8.7	7.5

D2	D3	D4	D5	D6	H	H1	H2	H3	WT
6.1	7.5	6.9	7.5	5.7	35.8	27.6	11.5	14.4	308

- Dimensions in inches.  
 - Weight in pounds, without the cable.

**IMPORTANT!**

- Never use this pump to handle explosive liquids.
- This pump is not approved to be used in swimming pools, recreational installations or any application where human contact may be common.

MODEL	CUT303 / CUT304									RATED	
FREQUENCY	60 Hz								HEAD	26.2 ft	8 m
DISCHARGE	4 INCHES / 100 mm								CAPACITY	185 GPM	700 LPM
OUTPUT	3 HP / 2.2 kW								POLE / RPM	4 P / 1750 RPM	
PHASE/VOLTAGE	3Ø	208 V	220 V	230 V	380 V	400 V	440 V	460 V	START METHOD	DIRECT ON LINE	
F.L.A.	A	9.3	9.2	9	5	4.9	4.5	4.5	INSULATION CLASS	CLASS B	

