

SUBMERSIBLE SEWAGE PUMP W/ CUTTER PLATE

Series: **Roto-Blade**
(CUT753 & CUT754)
7.5 HP / 1750 RPM
Discharge: 4"



DISCHARGE

4", 125 lb, flange horizontal.

LIQUID TEMPERATURE

104 °F (40 °C) continuous

VOLUTE

Cast iron ASTM A-48 class 30

MOTOR HOUSING

Cast iron ASTM A-48 class 30

IMPELLER

Cast iron ASTM A-48 class 30. Unique tungsten carbide tipped impeller and high chrome serrated cutter plate for slicing of solids.

SUCTION PLATE

Ductile iron

SHAFT

AISI 410 series stainless steel

HARDWARE

Stainless steel

O-RINGS

Buna-N

PAINT

Air dry enamel, water based.

SEAL

Design: double mechanical, oil lubricated.

Material: silicon carbide outboard, carbon ceramic inboard seal, with stainless steel hardware.

CORD ENTRY

40 ft of neoprene cord STOW, UL, 12 AWG x 4C, sealed against moisture.

BEARINGS

Ball, single row and oil lubricated.

MOTOR

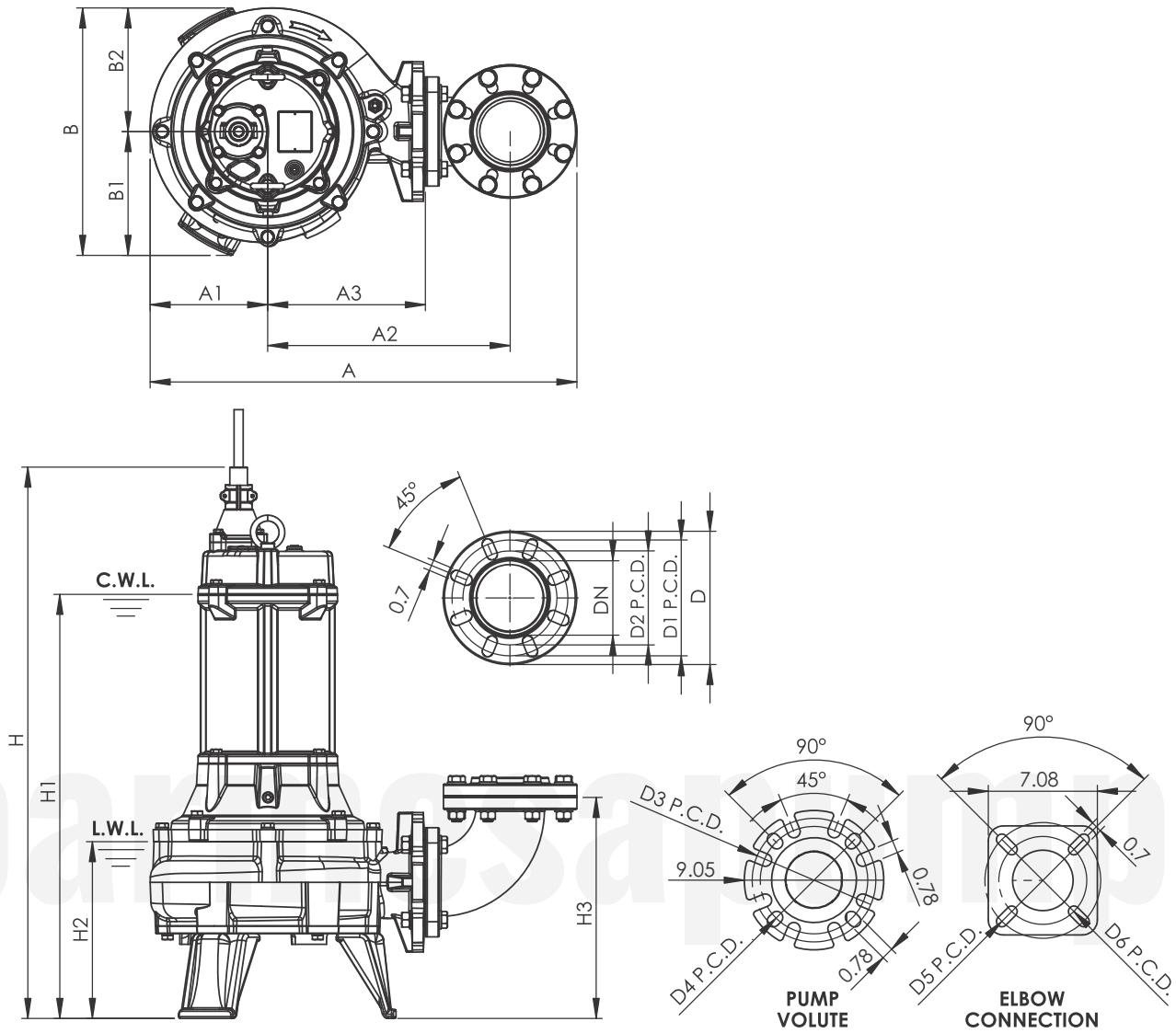
Three phase, 230 & 460 V, 1750 RPM, 60 Hz. Air-filled watertight, built-in overload, IP68 protection and class B insulation.

ACCESSORIES

Includes discharge elbow

OPTIONAL EQUIPMENT

Slide rail coupling (QDC-4)



C.W.L.: Continuous Running Water Level
 L.W.L.: Lowest Running Water Level
 (Most effective motor heat dissipation when fully submerged)

PIPE CONECTION TYPE	
PT	NPT

A	A1	A2	A3	B	B1	B2	DN	D	D1
27.8	7.7	15.8	10.2	16.1	8.1	8.1	4	6.7	7.5

D2	D3	D4	D5	D6	H	H1	H2	H3	WT
6.1	7.5	6.9	7.5	5.7	35.8	27.6	11.5	14.4	308

- Dimensions in inches.
 - Weight in pounds, without the cable.

IMPORTANT!

1. Never use this pump to handle explosive liquids.
2. This pump is not approved to be used in swimming pools, recreational installations or any application where human contact may be common.

MODEL	CUT753 / CUT754									RATED	
FREQUENCY	60 Hz									HEAD	42.6 ft 13 m
DISCHARGE	4 INCHES / 100 mm									CAPACITY	235 GPM 900 LPM
OUTPUT	7.5 HP / 5.5 kW									POLE / RPM	4 P / 1750 RPM
PHASE/VOLTAGE	3Ø	208 V	220 V	230 V	380 V	400 V	440 V	460 V	-	START METHOD	DIRECT ON LINE
F.L.A.	A	21.5	21	20	10.6	10.4	10.2	10	-	INSULATION CLASS	CLASS B

