

END-SUCTION CENTRIFUGAL PUMPS

Series: IB

1 - 15 HP / 1750 & 3500 RPM

Suction: 2" - 3" NPT

Discharge: 1½" - 2½" NPT



▶ With 304 stainless steel impeller

APPLICATIONS

- ▶ Booster systems
- ▶ Water transfer
- ▶ Chilled water system
- ▶ High flow-rate / medium pressure

VOLUTE

Cast iron ASTM A-48 class 30

LIQUID TEMPERATURE

160°F (71 °C) máx.

INTERMEDIATE COUPLING

Cast iron ASTM A-48 class 30

IMPELLER

- ▶ Stainless steel 304
- ▶ Investment casting
- ▶ Dynamically balanced

SEAL

Design: mechanical, type 01.

Material: Ceramic stationary part, carbon ring seal and exclusion in the rotating part. Buna-N elastomer and stainless steel spring.

SHAFT SLEEVE

Stainless steel

O-RINGS

Buna-N

MOTOR

High quality premium efficiency TEFC electric motors, designed & developed in accordance with industry standards for industrial and commercial pumping applications.

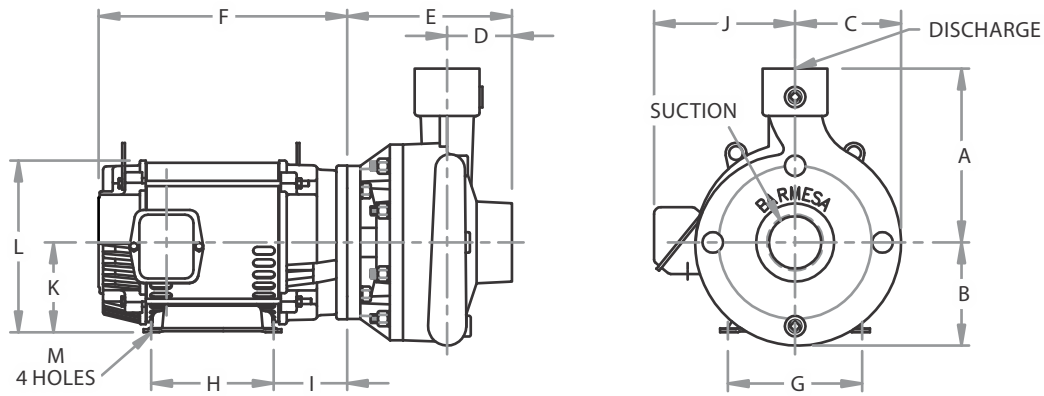
- ▶ 1 & 3 phases, 60 Hz
- ▶ Rated output: 1 to 15 HP
- ▶ 1750 & 3500 RPM
- ▶ Frame sizes: 143 JM to 254 JM

HARDWARE

Carbon steel

PAINT

Air dry enamel, water based.



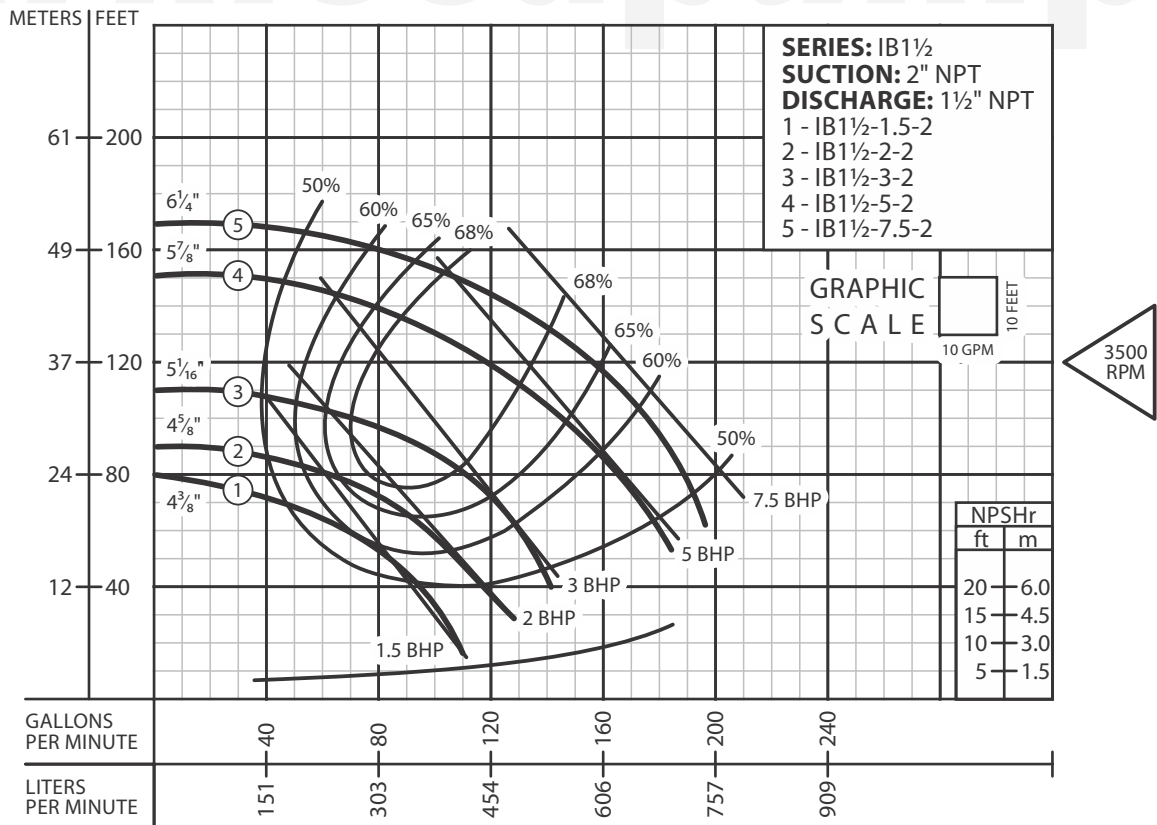
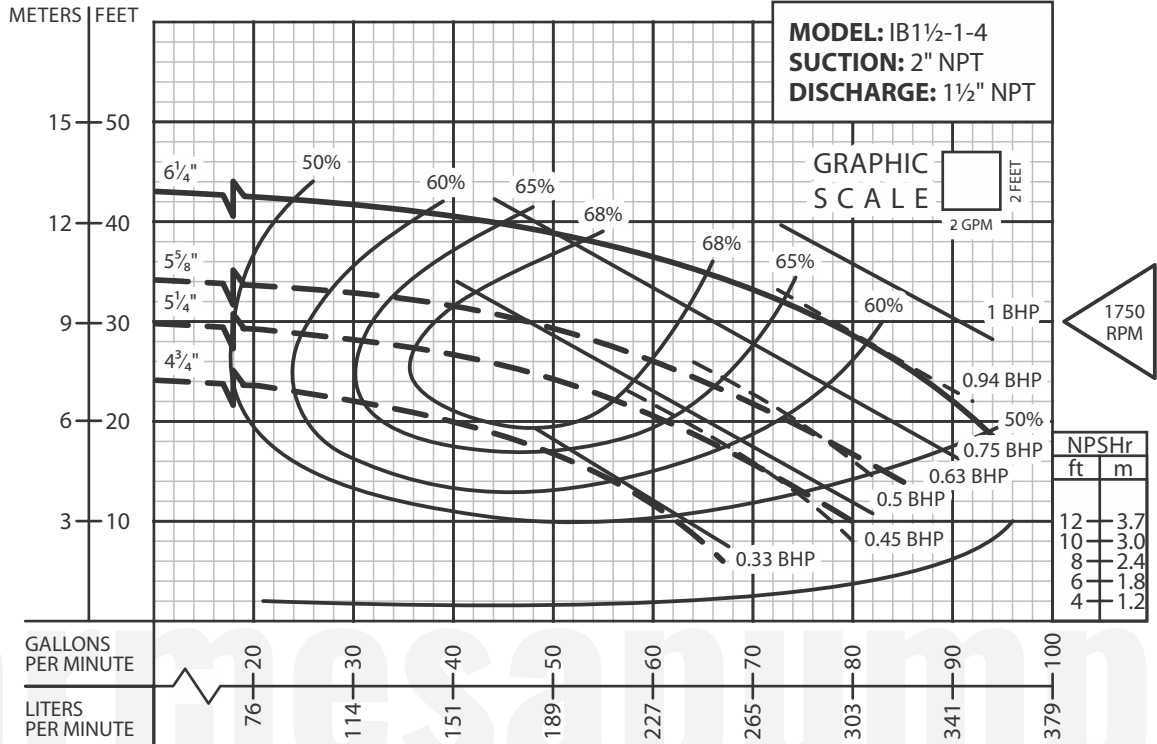
MODEL	PART No.	SIZE	HP	PHASE	RPM	FRAME	A	B	C	D	E	F	G	H	I	J	K	L	M
IB1½-3-2-1	62071061	2" x 1½" NPT	3	1	3500	182JM	7.38	4.38	4.5	2.75	7	13.56	7.5	4.5	3.5	7.5	4.5	9.28	0.41
IB1½-5-2-1	62071062		5	1	3500	184JM					7	13.56	7.5	5.5	3.5	7.5	4.5	9.28	0.41
IB1½-7.5-2-1	62071063		7.5	1	3500	-					-	-	-	-	-	-	-	-	-
IB1½-1-4	62071001		1	3	1750	-					7	-	-	-	-	-	-	-	-
IB1½-1.5-2	62071002		1.5	3	3500	143JM					7	10	5.5	4	2.09	6.13	3.5	7.31	0.34
IB1½-1.5-4	62071003		1.5	3	1750	-					-	-	-	-	-	-	-	-	-
IB1½-2-2	62071004		2	3	3500	145JM					7	10	5.5	4	2.09	6.13	3.5	7.31	0.34
IB1½-2-4	62071005		2	3	1750	-					-	-	-	-	-	-	-	-	-
IB1½-3-2	62071006		3	3	3500	182JM					7	13.56	7.5	4.5	3.5	7.5	4.5	9.28	0.41
IB1½-5-2	62071007		5	3	3500	184JM					7	13.56	7.5	5.5	3.5	7.5	4.5	9.28	0.41
IB1½-7.5-2	62071008	7.5	3	3500	213JM	7.13	15.63	8.5	5.5	4.25	8.25	5.25	10.25	0.44					
IB2-3-2-1	62071071	2½" x 2" NPT	3	1	3500	182JM	7.75	4.63	4.81	2.88	7.13	13.56	7.5	4.5	3.5	7.5	4.5	9.28	0.41
IB2-5-2-1	62071072		5	1	3500	184JM					7.13	13.56	7.5	5.5	3.5	7.5	4.5	9.28	0.41
IB2-7.5-2-1	62071073		7.5	1	3500	-					-	-	-	-	-	-	-	-	
IB2-1-4	62071021		1	3	1750	-					7.13	10	5.5	5	2.09	6.13	3.5	7.31	0.34
IB2-1.5-4	62071022		1.5	3	1750	145JM					7.13	10	5.5	4	2.09	6.13	3.5	7.31	0.34
IB2-2-2	62071023		2	3	3500	143JM					-	-	-	-	-	-	-	-	-
IB2-2-4	62071024		2	3	1750	-					7.13	13.56	7.5	4.5	3.5	7.5	4.5	9.28	0.41
IB2-3-2	62071025		3	3	3500	182JM					7.13	13.56	7.5	5.5	3.5	7.5	4.5	9.28	0.41
IB2-5-2	62071026		5	3	3500	184JM					7.25	15.63	8.5	5.5	4.25	8.25	5.25	10.25	0.44
IB2-7.5-2	62071027		7.5	3	3500	213JM					7.25	17.13	8.5	7	4.25	8.25	5.25	10.25	0.44
IB2-10-2	62071028	10	3	3500	215JM	7.63	13.56	7.5	5.5	3.5	7.50	4.5	9.28	0.41					
IB2½-5-2-1	62070081	3" x 2½" NPT	5	1	3500	184JM	8.38	5.13	5.25	3.25	-	-	-	-	-	-	-	-	-
IB2½-7.5-2-1	62071082		7.5	1	3500	-					7.63	10	5.5	5	2.09	6.13	3.5	7.31	0.34
IB2½-1-4	62071041		1	3	1750	-					-	-	-	-	-	-	-	-	-
IB2½-1.5-4	62071042		1.5	3	1750	-					-	-	-	-	-	-	-	-	-
IB2½-2-4	62071043		2	3	1750	145JM					7.63	13.56	7.5	5.5	3.5	7.50	4.5	9.28	0.41
IB2½-3-4	62071044		3	3	1750	-					7.75	15.63	8.5	5.5	4.25	8.25	5.25	10.25	0.44
IB2½-5-2	62071045		5	3	3500	184JM					7.75	17.13	8.5	7	4.25	8.25	5.25	10.25	0.44
IB2½-7.5-2	62071046		7.5	3	3500	213JM					7.75	20.13	10	8.25	4.75	9.94	6.25	12.94	0.53
IB2½-10-2	62071047		10	3	3500	215JM					-	-	-	-	-	-	-	-	-
IB2½-15-2	62071048		15	3	3500	254JM					-	-	-	-	-	-	-	-	-

All dimensions are in inches, and may vary depending on the motor manufacturer.

IMPORTANT!

1. Never use this pump to handle explosive liquids.
2. This pump is not approved to be used in swimming pools, recreational installations or any application where human contact may be common.

PERFORMANCE CURVE
End-Suction Centrifugal
Close Coupled
Series: **IB1½**

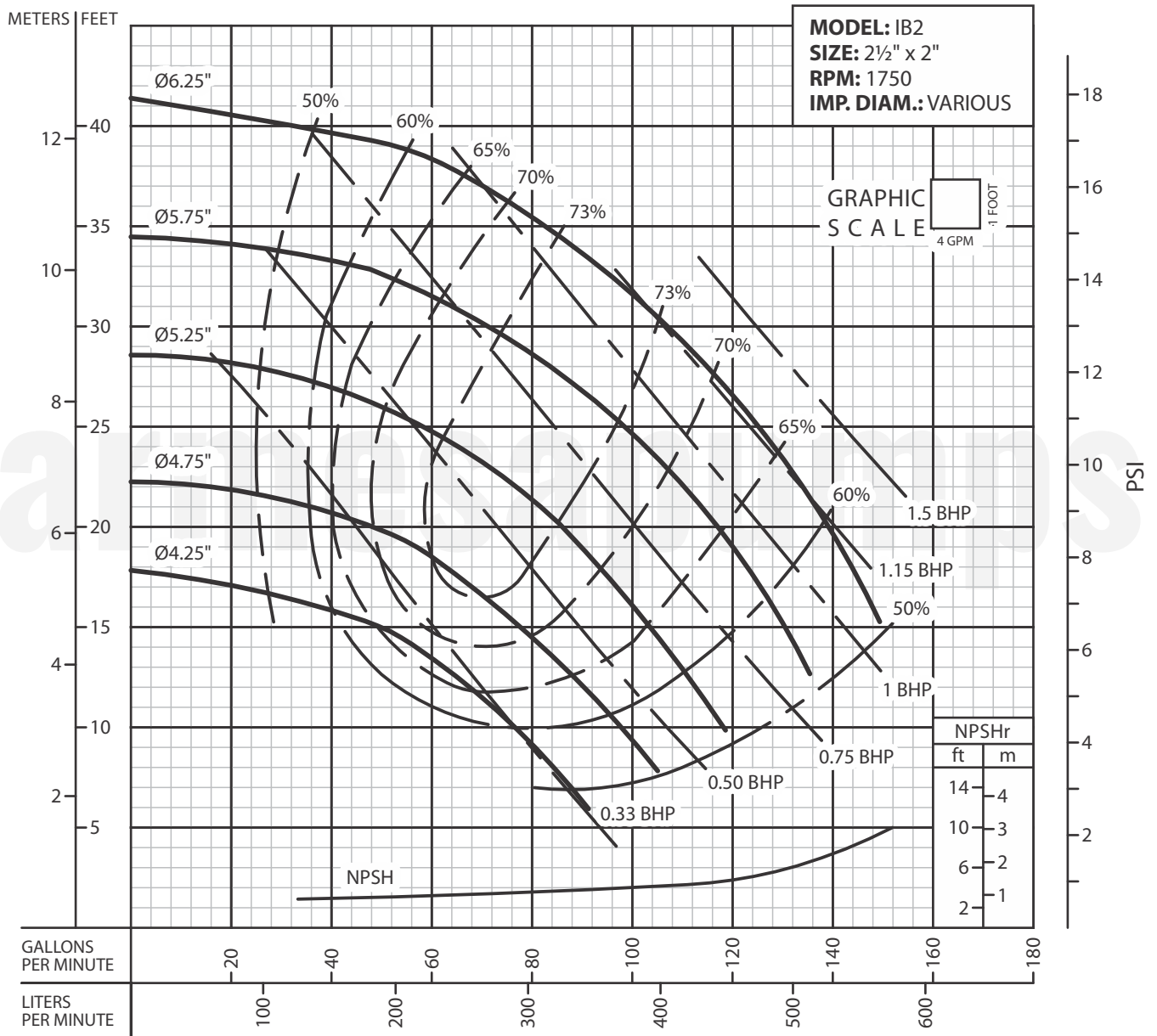


Testing is performed with water specific gravity of 1.0 @ 68 °F (20 °C); other fluids may vary performance.



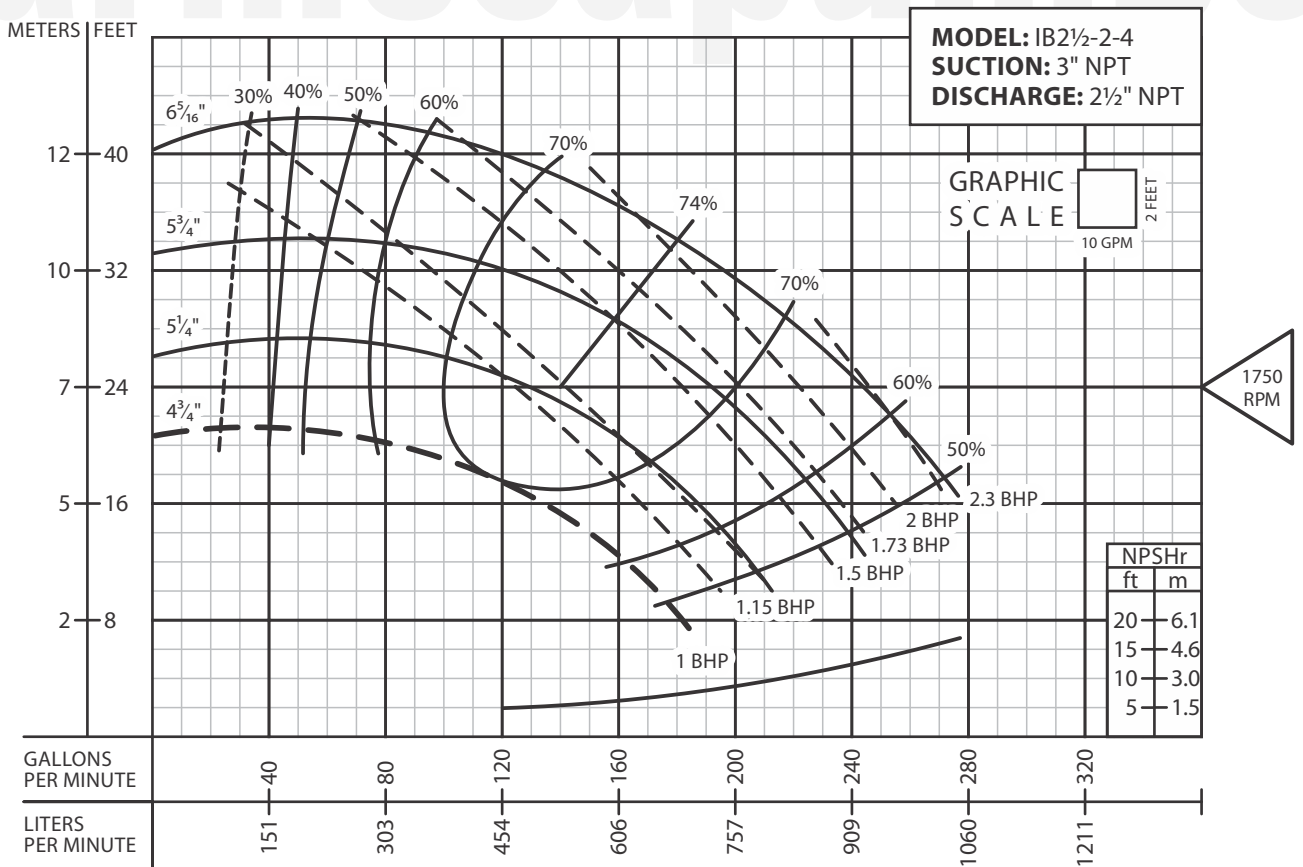
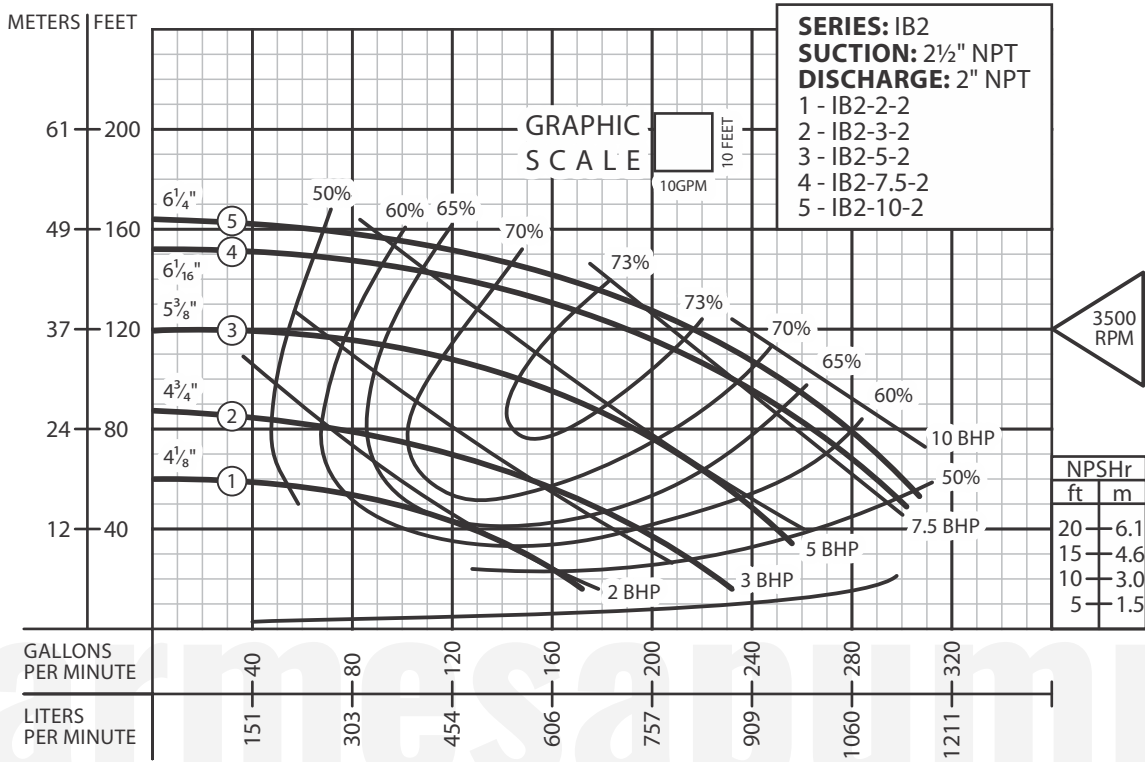
PERFORMANCE CURVE

End-Suction Centrifugal Close Coupled Series: IB2



Testing is performed with water specific gravity of 1.0 @ 68 °F (20 °C); other fluids may vary performance.

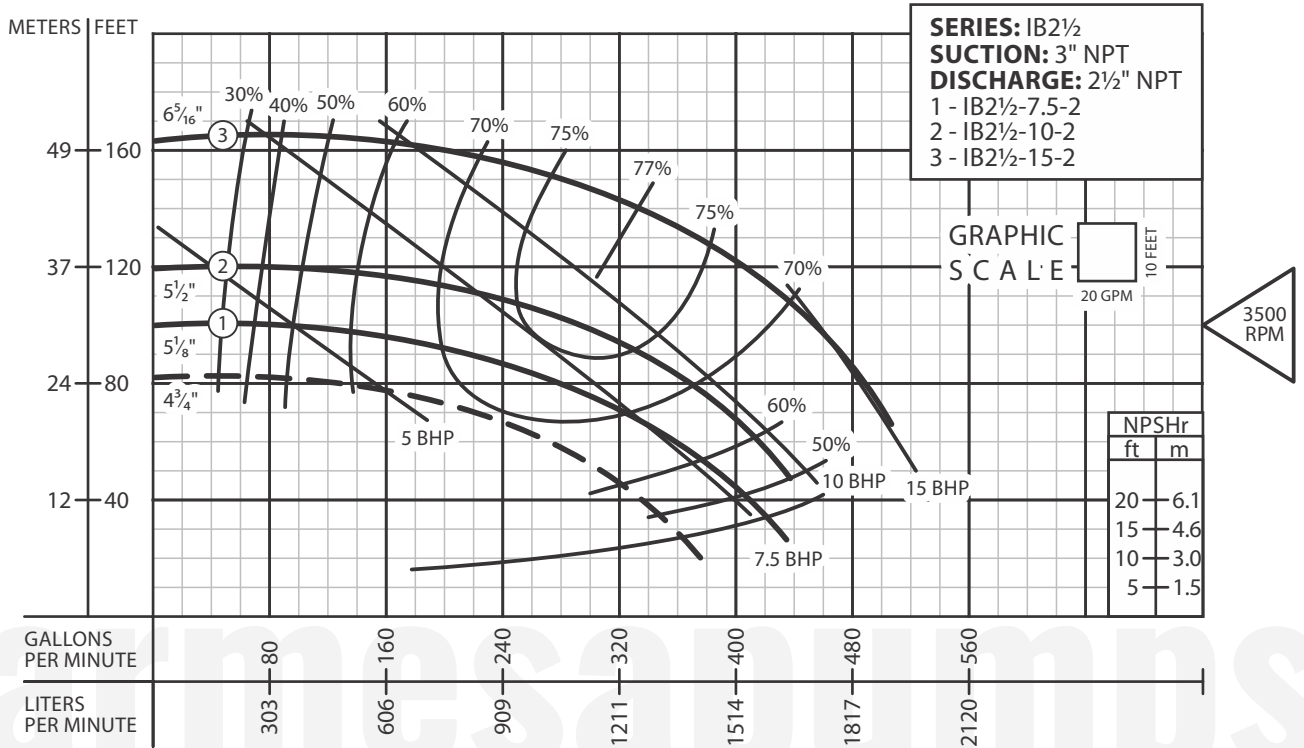
PERFORMANCE CURVE
End-Suction Centrifugal
Close Coupled
Series: **IB2 & 2½**



Testing is performed with water specific gravity of 1.0 @ 68 °F (20 °C); other fluids may vary performance.



PERFORMANCE CURVE
 End-Suction Centrifugal
 Close Coupled
 Series: **IB2½**



Testing is performed with water specific gravity of 1.0 @ 68 °F (20 °C); other fluids may vary performance.