



48420566
Edition 3
July 2015

Air Sander

M2 Series

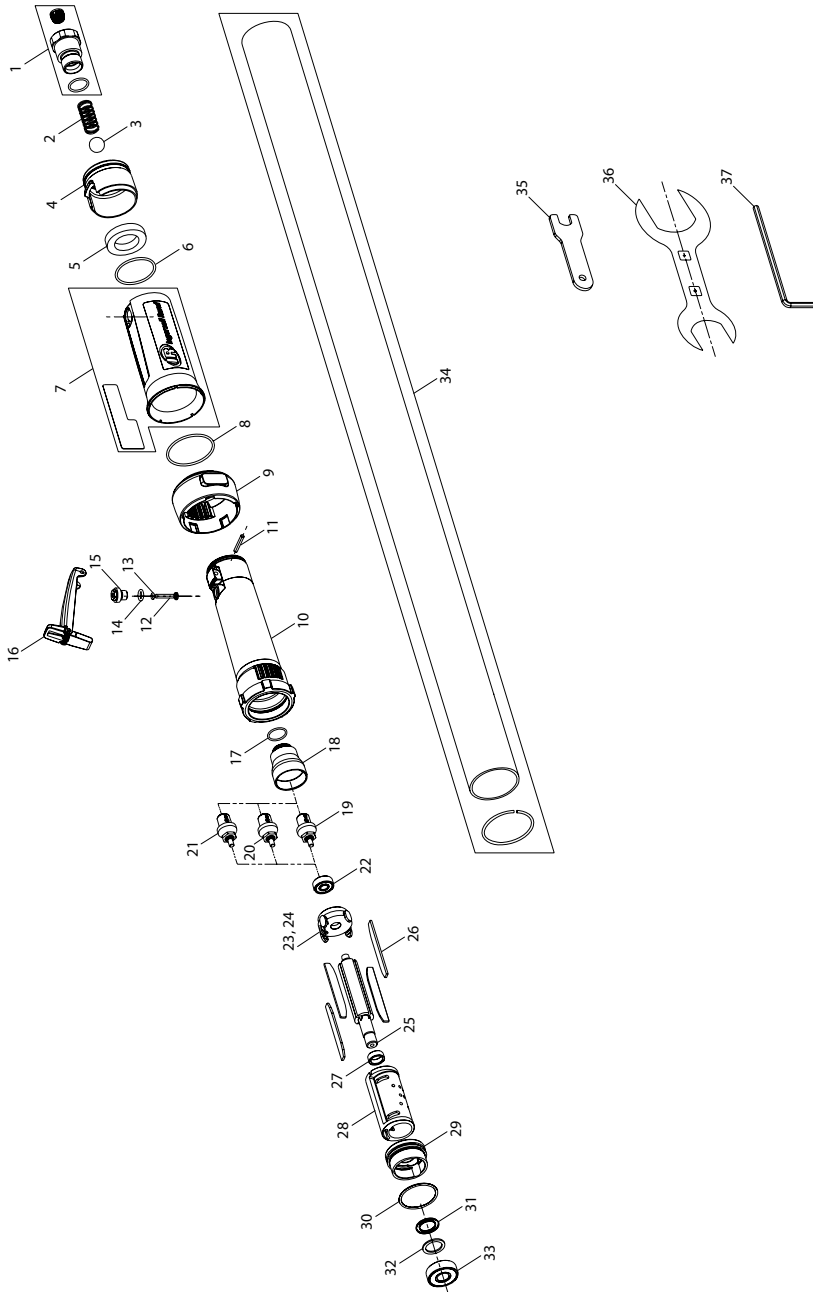
Parts Information



Save These Instructions

 **Ingersoll Rand**[®]

M2 Series Sanders - Exploded View (Motor & Motor Housing)



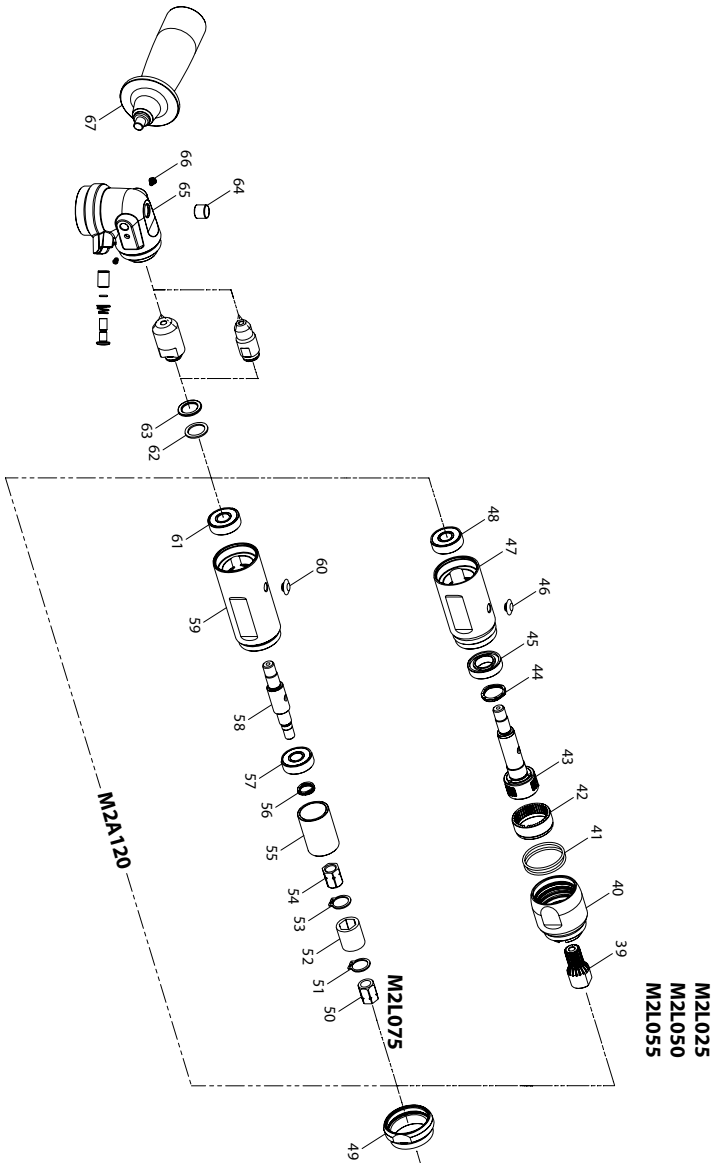
(Dwg. 47506260)

M2 Series Sanders - Parts List (Motor & Motor Housing)

Item	Part Description	Part Number	Item	Part Description	Part Number
1	Inlet Bushing Assembly	HG2-A465	21	Controller Assembly (25,000 RPM) M2L055 model	HG2-A424-25K
	Inlet Bushing	---			
	Inlet Screen	R1602-61			
	Inlet O-ring	48410609			
2	Spring	MG1-51	22	Bearing	HG2-127A
3	Ball	D10-280	23	Rear End Plate	HG2-12
4	Rear Exhaust Diffuser	HG2-123	24	Pin	Y178-211
5	Rear Muffler	HG2-311R	25	Rotor	HG2-53-4
6	O-ring	Y325-26	26	Vane Pack (Set of 4)	HG2-42-4
7	Sleeve and Label Assembly	HG2-A747	27	Rotor Spacer	LG2-65
	Sleeve	---	28	Cylinder	HG2-3A
	Model Label	HG2-300	29	Front End Plate	HG2-11
8	O-ring	Y325-29	30	O-Ring	Y325-25
9	Front Housing Cap	HG2-202C	31	Felt Wiper Cup	61H-32
10	Motor Housing Assembly	HG2-A40	32	Felt Wiper	HG2-33
11	Pin	HG2-120	33	Bearing	HG2-24
12	Throttle Pin	HG2-161	34	Piped Away exhaust kit	HG2-K284
13	O-ring	45635125		Exhaust hose	---
14	O-ring	Y325-10		Retaining ring	---
15	Throttle Pin Bushing	HG2-781	35	Wrench (11 mm, for controller assembly)	301-69A
16	Lever Assembly	HG2-A400	36	Wrench (38 mm, for clamp nut)	LA2-253
	Lever	---	37	Hex key (4 mm, for retention screw)	AG2-562
	Lever Lock	---			
	Spring	---			
	Pin	---			
O-ring	47112487				
17	O-ring	47112487	†	M2L075 Tune up kit includes items (2, 3, 5, 6, 8, 11, 13, 14, 17, 22, 26, 30, 31, 32, 33, 46, 51, 53, 56, 60, 61, 62, 63, 64, 71, 72, 75, 76, 79, 84)	HG2-STKL075
18	Nozzle	HG2-19	†	M2L Tune up kit includes items (2, 3, 5, 6, 8, 11, 13, 14, 17, 22, 26, 30, 31, 32, 33, 41, 44, 45, 46, 48, 62, 63, 64, 70, 75, 79, 84)	HG2-STKL
19	Controller Assembly (18,000 RPM) M2L040 & M2L075 models	HG2-A424-18K	†	M2A120 Tune up kit includes items (2, 3, 5, 6, 8, 11, 13, 14, 17, 22, 26, 30, 31, 32, 33, 62, 63, 64, 71, 72, 75, 76, 79, 84)	HG2-STKA120
20	Controller Assembly (20,000 RPM) M2L025 & M2A120 models	HG2-A424-20K	†	Service Tool Kit (35, 36, 37)	HG2-STK

† Indicates common-wear parts. Maintain stock to reduce downtime.

M2 Series Sanders - Exploded View (Extension Parts)



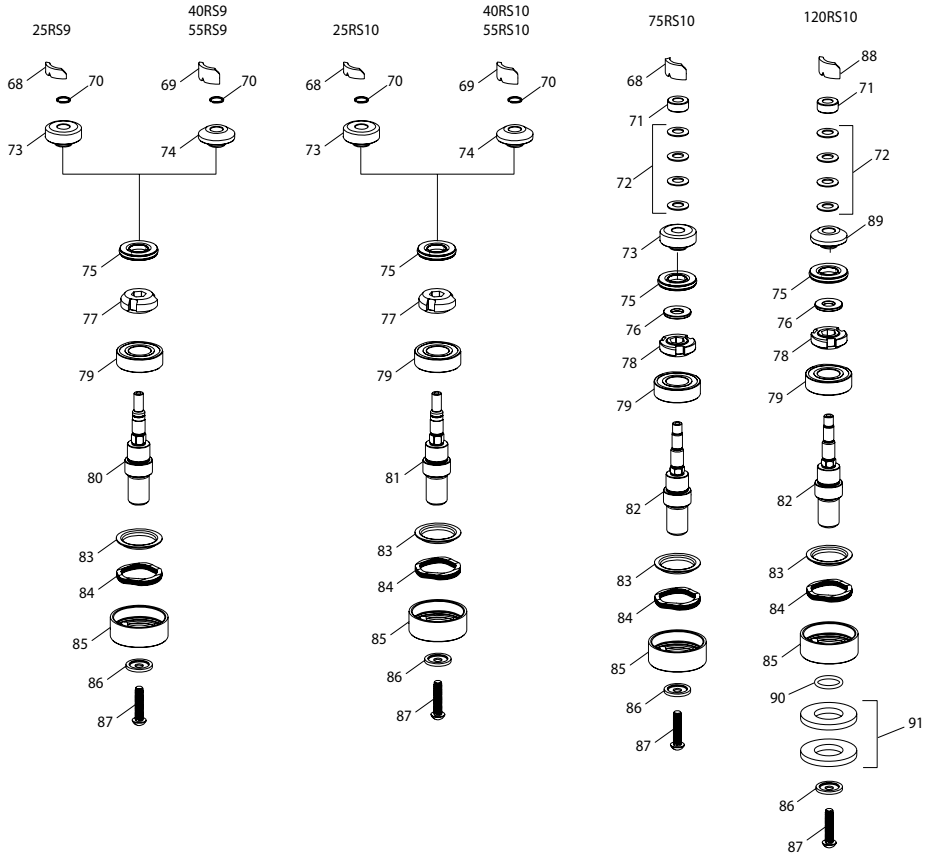
(Dwg. 47506261)

M2 Series Sanders - Parts List (Extension Parts)

Item	Part Description	Part Number	Item	Part Description	Part Number
M2L025, M2L040, M2L055			56	Wave Spring	HG2-250E
39	Pinion, 18 teeth	HG2-17	57	Bearing	HG2-24
40	Gear Case Assembly	HG2-A37	58	Arbor, Angle Extension	HG2-4AX
	Gear Case	---	59	Housing, Angle Extension	HG2-20AX
	Grease Fitting	D0F9-879	60	Access hole plug	EG220-92
	Pin	Y178-211	61	Bearing	HG2-24
41	O-ring (2)	Y325-26	ALL		
42	Ring Gear	HG2-406	62	Felt Wiper	HG2-33
43	Planetary Gear Assembly	HG2-A216	63	Felt Wiper Cup	61H-32
44	Wave Spring	HG2-250P	64	Bearing, Needle	MG1-693
45	Bearing	QA4-114803	65	Angle Head Assembly	HG2-A550
46	Access hole plug	EG220-92		Bearing	MG1-693
47	Housing, Extension Planetary	HG2-20PX1		Angle Housing	---
48	Bearing	HG2-24		Grease Fitting	---
*	IR # 67 Planetary gear grease (4 oz packet) Note: Do not use in angle head	67-4T		Locking Pin	---
M2L075				O-ring	---
49	Clamp Nut	HG2-27		Spring, conical	---
50	Bearing Nut	LE2-85		Bushing	---
51	Retaining Ring	RX3-729		Warning Label, Heat	VT22-99
52	Arbor Coupling	LE2-304		Seal Screw	47500512001
53	Retaining Ring	RX3-729	66	Seal Screw	47500512001
54	Bearing Nut	HG2-85	67	Handle	HG2-48
55	Clamp Sleeve	HG2-276			

* Indicates Not Illustrated.

M2 Series Sanders - Exploded View (Angle Head)



(Dwg. 47506262)

M2 Series Sanders - Parts List (Angle Head)

Item	Part Description	Part Number	Item	Part Description	Part Number
68	Wick M2L075 & M2L025 models	HG2-561-2.4	78	Spindle Lock Hub M2L075 & M2A120 models	HG2-108A
69	Wick M2L040 & M2L055 models	HG2-561-1.3	79	Bearing	HG2-105A
88	Wick M2A120 model	HG2-561-1.7	80	Arbor, Sander M14	HG2-4-S9
70	Ring, retaining	48378715	81	Arbor, Sander 5/8" - 11	HG2-4A-S10
71	Arbor Collar	47501508001	82	Arbor, Sander 5/8" - 11 M2L075 & M2A120 models	HG2-4-S10
72	Belleville Spring (4)	47501506001	83	Spring Guide	HG2-119
73	Bevel Pinion Assembly M2L075 & M2L025 models	HG2-A552-2.4	84	Spring, Wave	HG2-250B
74	Bevel Pinion Assembly M2L040 & M2L055 models	HG2-A552-1.3	85	Bearing Retainer	HG2-531
89	Bevel Pinion Assembly M2A120 model	HG2-A552-1.7	86	Flange Nut Washer	LG2-218
75	Rotary Seal	HG2-223	87	Retention Screw	47502560001
76	Thrust Washer	HG2-317	90	O-Ring M2A120 model	Y325-14
77	Spindle Lock Hub	HG2-108	91	Disc Wheel Spacer (2) M2A120 model	R3F-286
			*	IR # 22 Angle Head Grease (20 cc packet)	77A-EP0

* Indicates Not Illustrated.

Parts and Maintenance

When tool life has expired, it is recommended that the tool be disassembled, degreased and parts separated by material for proper recycling.

Tool repair and maintenance should only be carried out by an authorized Service Center.

Refer all communications to the nearest **Ingersoll Rand** office or distributor.

Related Documentation

Manuals can be downloaded from ingersollrandproducts.com.

For additional information, refer to:

Air Sander Product Safety Information Manual 04580387

Air Sander Product Information Manual 48420533

ingersollrandproducts.com

© 2015 *Ingersoll Rand*

